



US00D434305S

# United States Patent [19]

Reichert et al.

[11] Patent Number: **Des. 434,305**

[45] Date of Patent: **\*\* Nov. 28, 2000**

[54] **DETACHABLE MOUNTING HOOK**

D. 175,240 7/1955 Williamson ..... D8/367  
D. 413,788 9/1999 Adams et al. .... D8/367

[75] Inventors: **James R. Reichert; Linda K. Reichert**, both of Marion, Ill.

*Primary Examiner*—Holly Baynham  
*Attorney, Agent, or Firm*—Pitts & Brittian, P.C.

[73] Assignee: **Associated Technology**, Marion, Ill.

[\*\*] Term: **14 Years**

[57] **CLAIM**

The ornamental design for a detachable mounting hook, as shown and described.

[21] Appl. No.: **29/115,354**

[22] Filed: **Dec. 13, 1999**

**DESCRIPTION**

[51] **LOC (7) Cl.** ..... **08-05**

[52] **U.S. Cl.** ..... **D8/367**

[58] **Field of Search** ..... D8/367, 373; 248/301, 248/304, 339

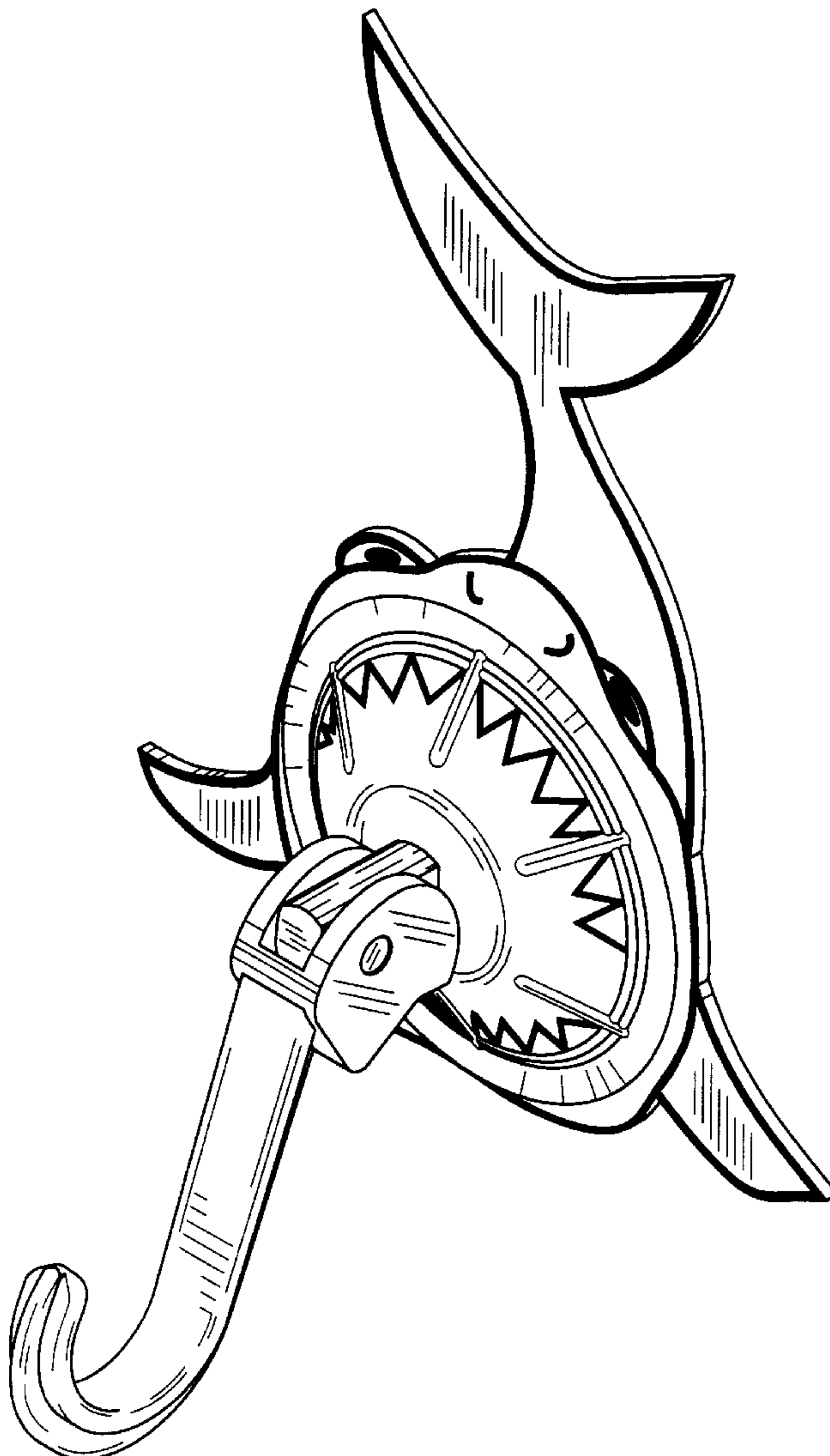
FIG. 1 is a perspective view thereof;  
FIG. 2 is a front view thereof;  
FIG. 3 is a rear view thereof.  
FIG. 4 is a left hand side view thereof.  
FIG. 5 is a right hand side view thereof.  
FIG. 6 is a top view thereof; and,  
FIG. 7 is a bottom view thereof.

[56] **References Cited**

**U.S. PATENT DOCUMENTS**

D. 69,875 4/1926 Frantsits ..... D8/367

**1 Claim, 5 Drawing Sheets**



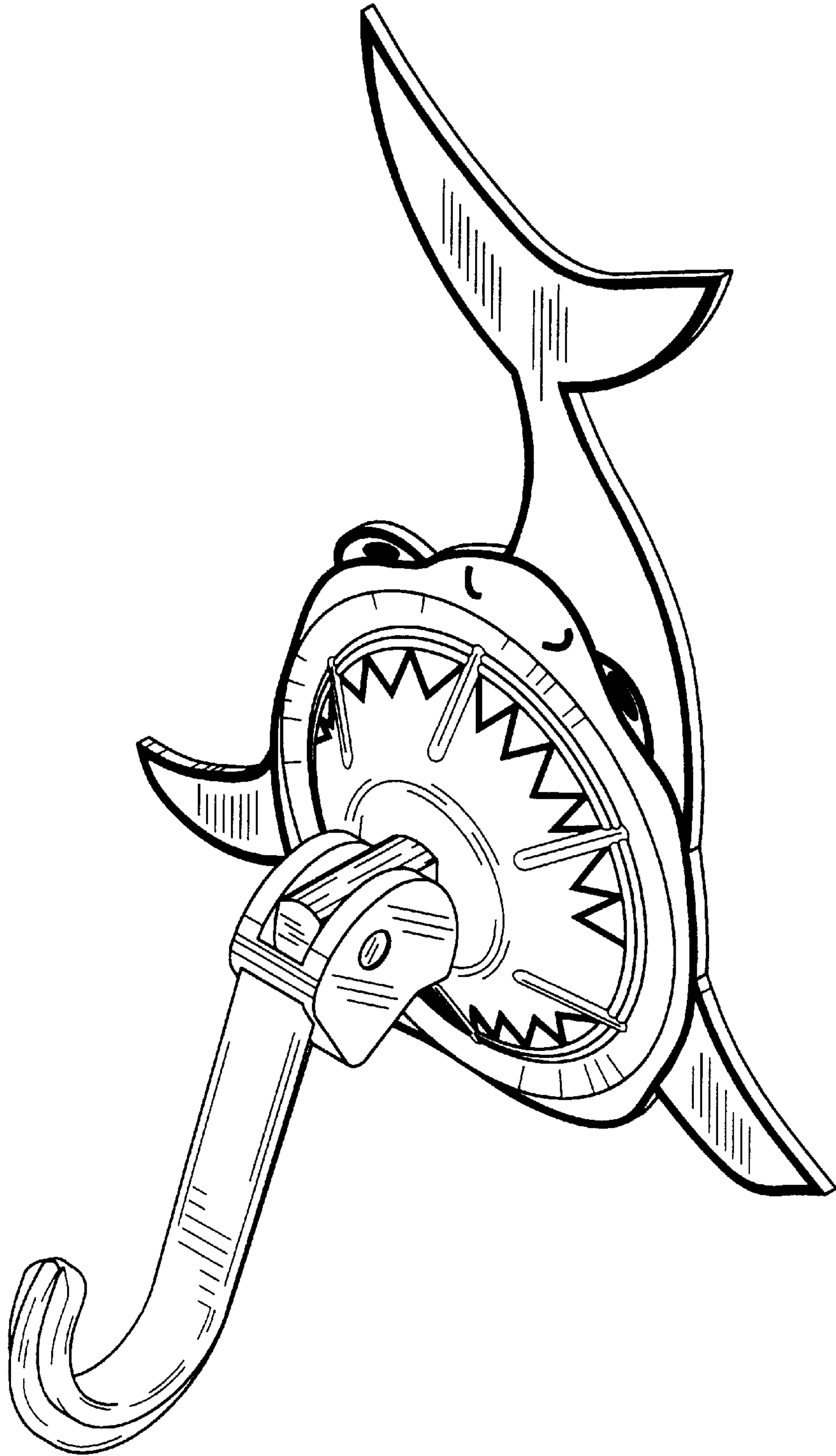


Fig. 1

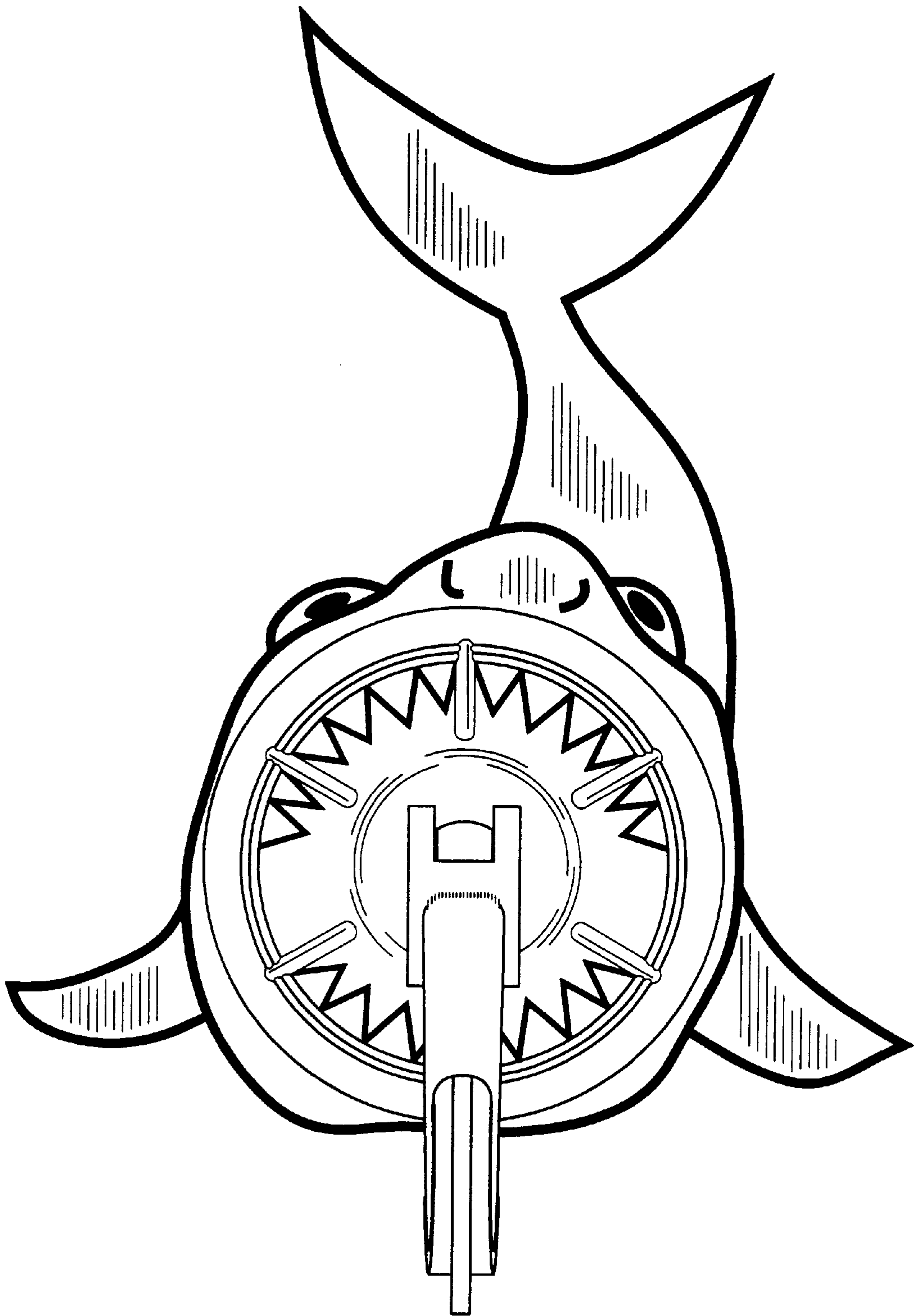


Fig. 2

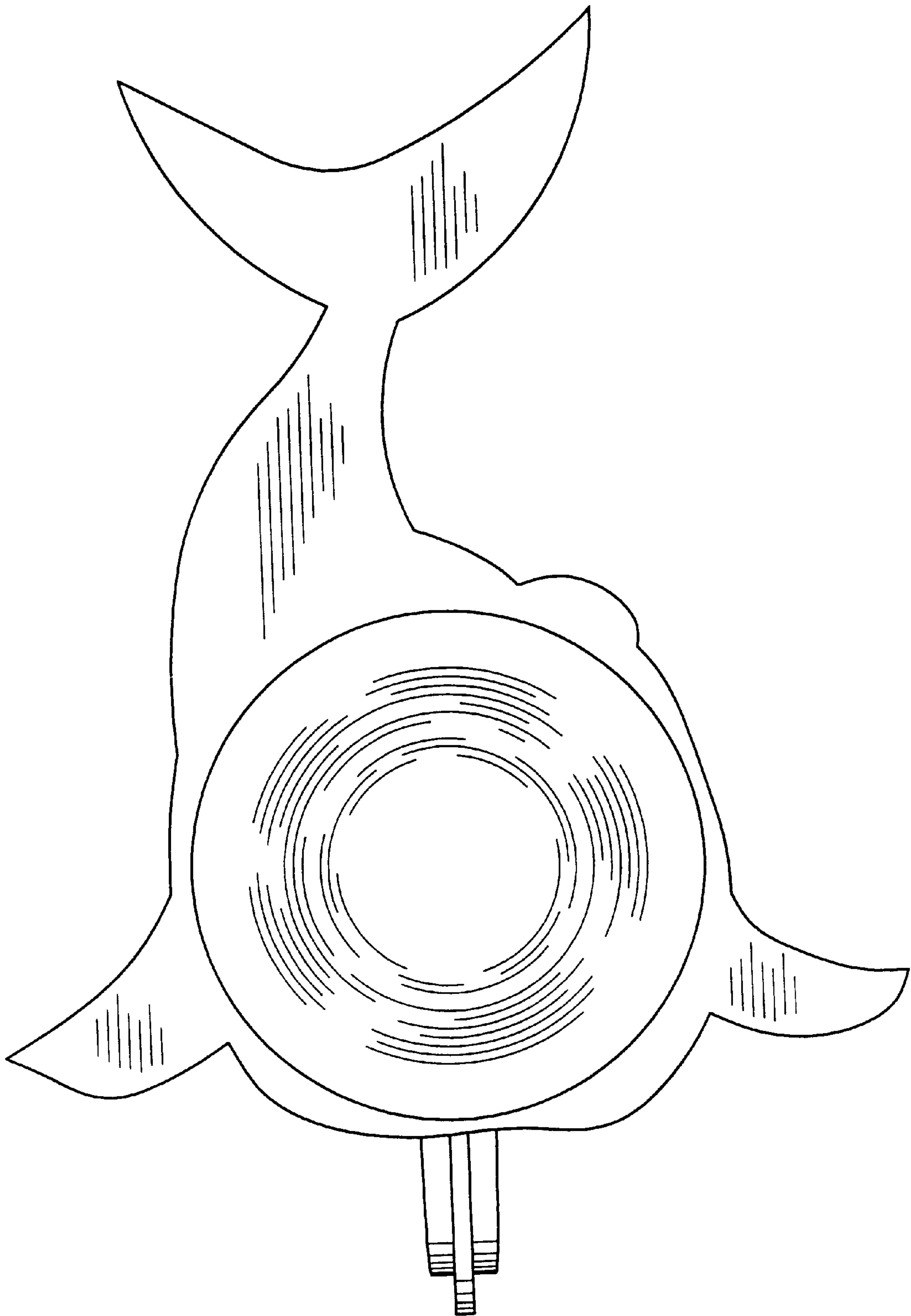


Fig. 3

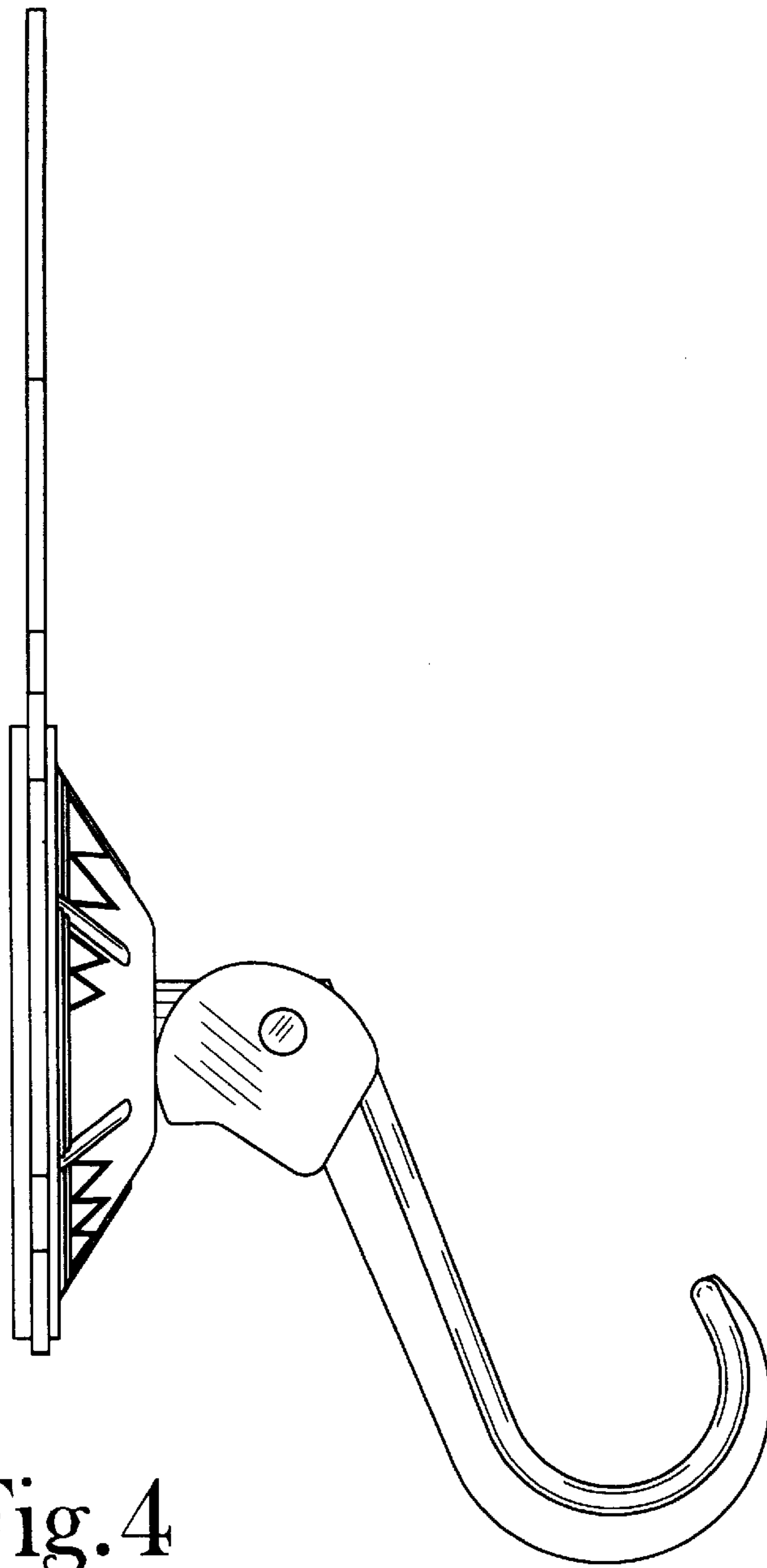


Fig. 4

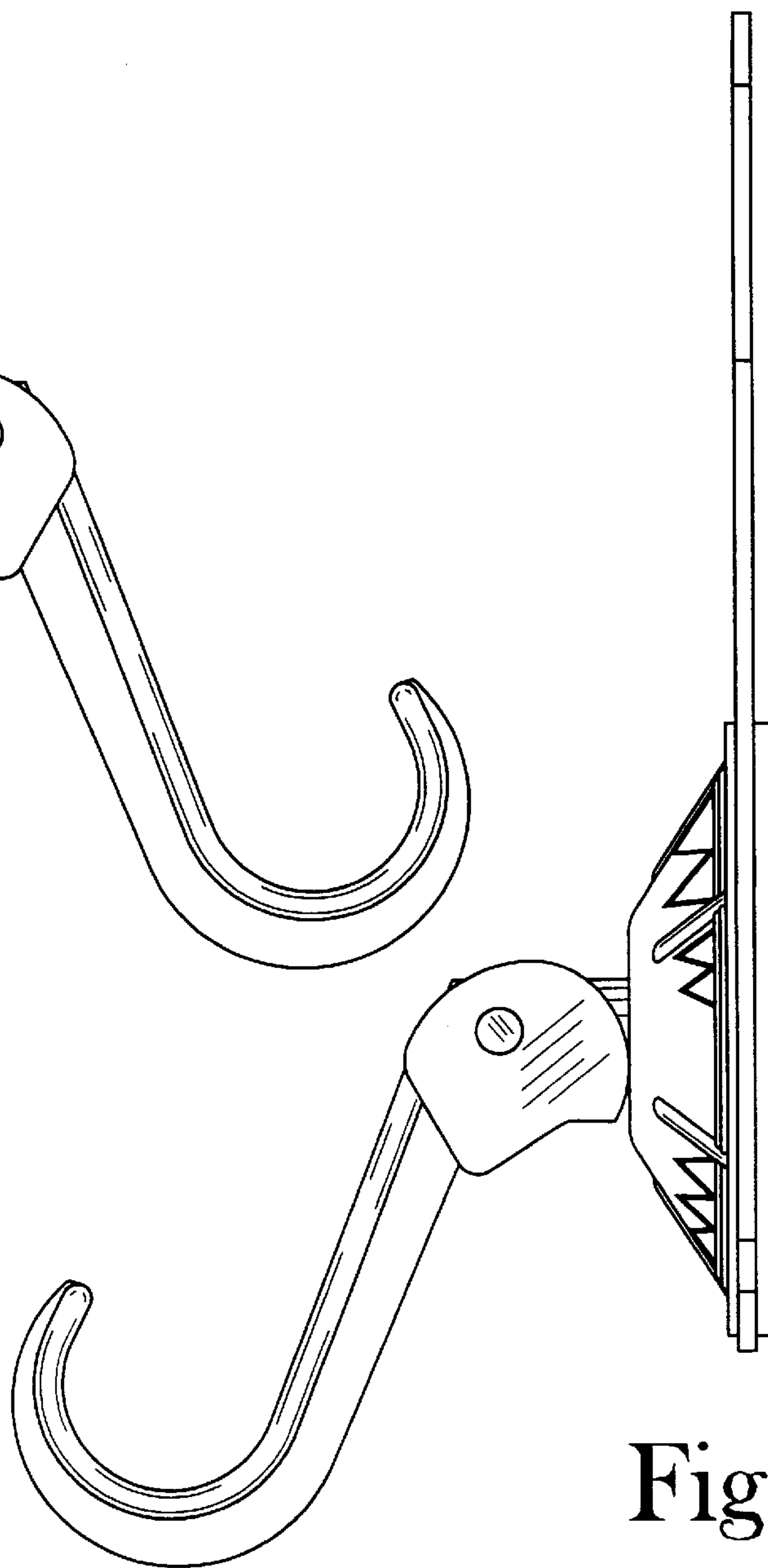


Fig. 5

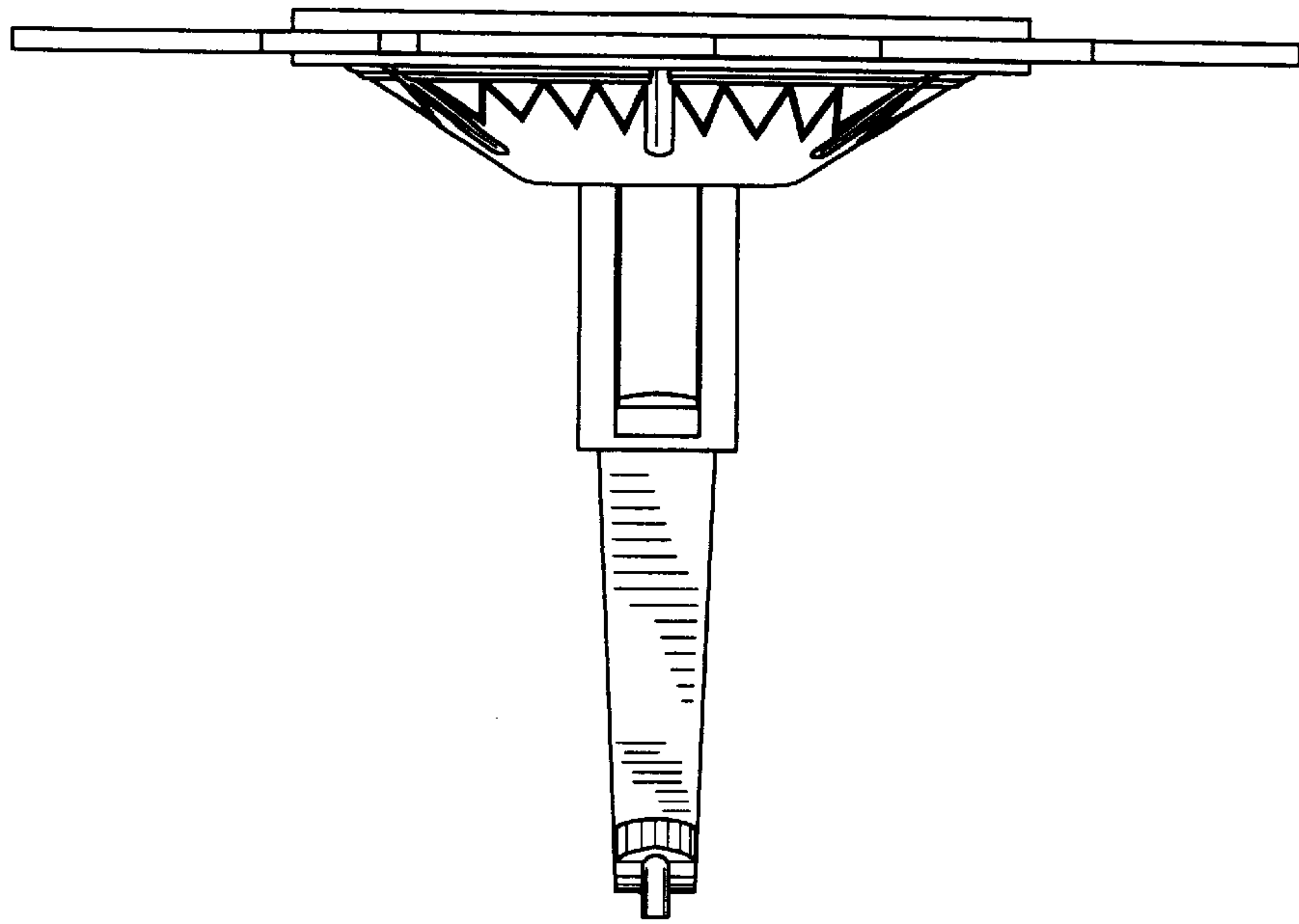


Fig.6

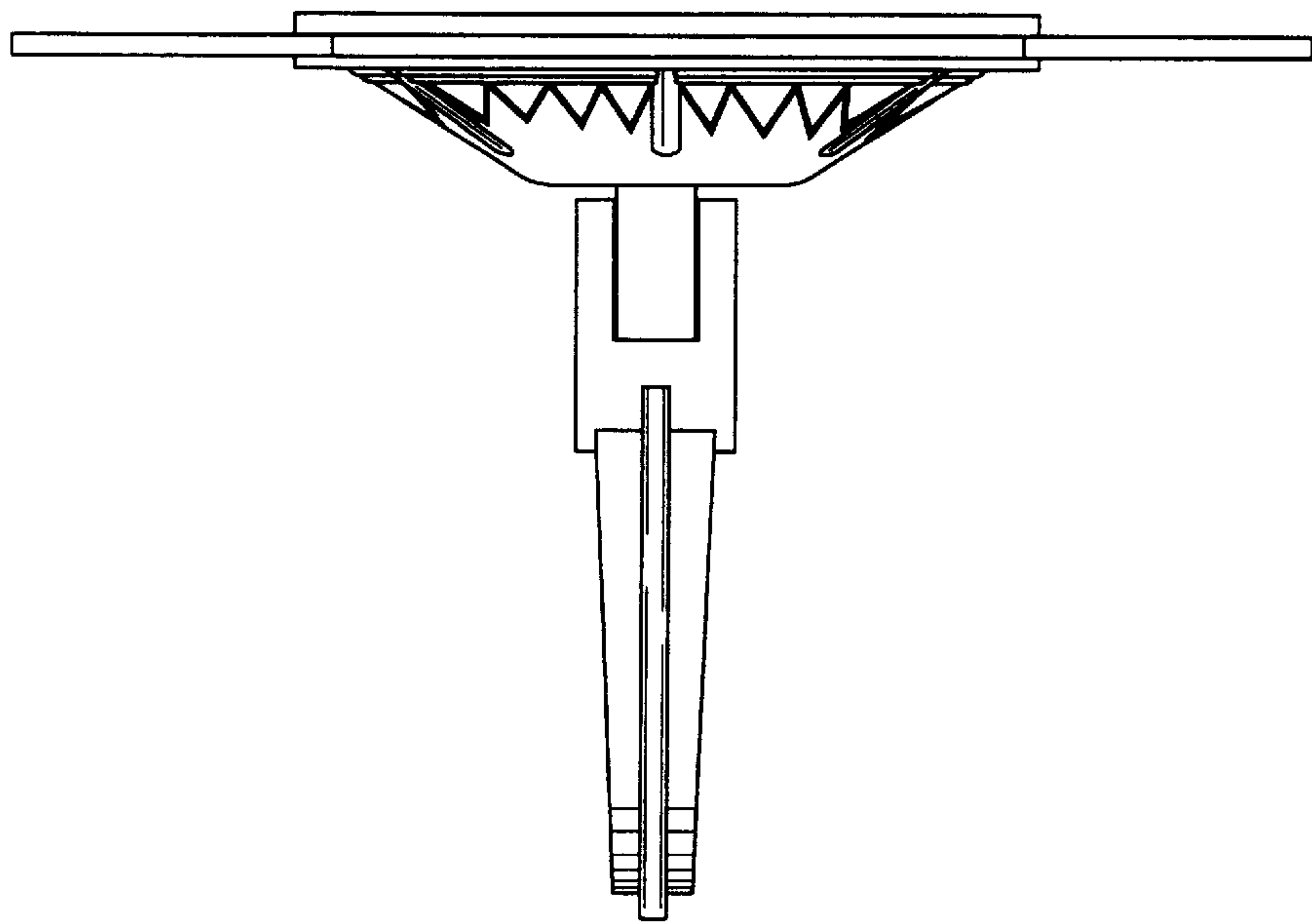


Fig.7