



US00D434297S

# United States Patent [19]

Iritani et al.

[11] **Patent Number: Des. 434,297**

[45] **Date of Patent: \*\* Nov. 28, 2000**

[54] **IMPACT WRENCH**

[75] Inventors: **Toshiro Iritani**, Miyashimohonchou;  
**Tadashi Kamiya**, Ouzenzi Asoh-Ku,  
both of Japan

[73] Assignee: **Ingersoll-Rand Company**, Woodcliff  
Lake, N.J.

[\*\*] Term: **14 Years**

[21] Appl. No.: **29/105,657**

[22] Filed: **May 28, 1999**

[51] **LOC (7) Cl.** ..... **08-05**

[52] **U.S. Cl.** ..... **D8/68**

[58] **Field of Search** ..... D8/68; 81/463-467,  
81/470, 57.33, 57.14, 117.1; 173/93, 93.5,  
93.6, 94, 104, 169, 170, 180, 181; 227/10

[56] **References Cited**

**U.S. PATENT DOCUMENTS**

D. 339,726 9/1993 Bruno et al. .... D8/68

D. 388,678 1/1998 Bantly et al. .... D8/68

D. 393,580 4/1998 Bantly et al. .... D8/68

D. 403,564 1/1999 Izumisawa ..... D8/68

*Primary Examiner*—Antoine Duval Davis  
*Attorney, Agent, or Firm*—Leon Nigohosian, Jr.

[57] **CLAIM**

The ornamental design for an impact wrench, as shown and described.

**DESCRIPTION**

FIG. 1 is a left side view of an impact wrench showing our design;

FIG. 2 is a right side view of FIG. 1;

FIG. 3 is a front view of FIG. 1;

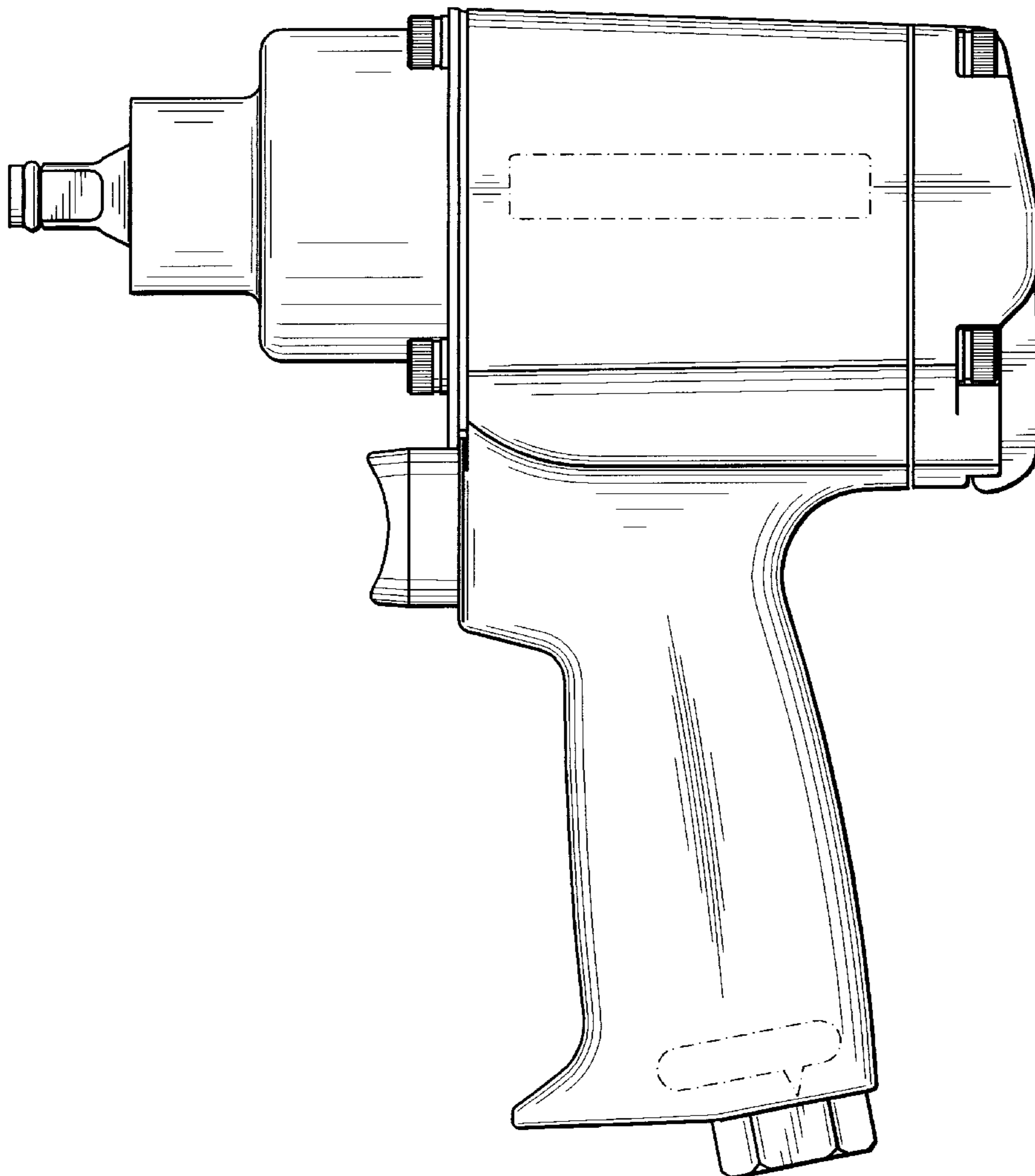
FIG. 4 is a rear view of FIG. 1;

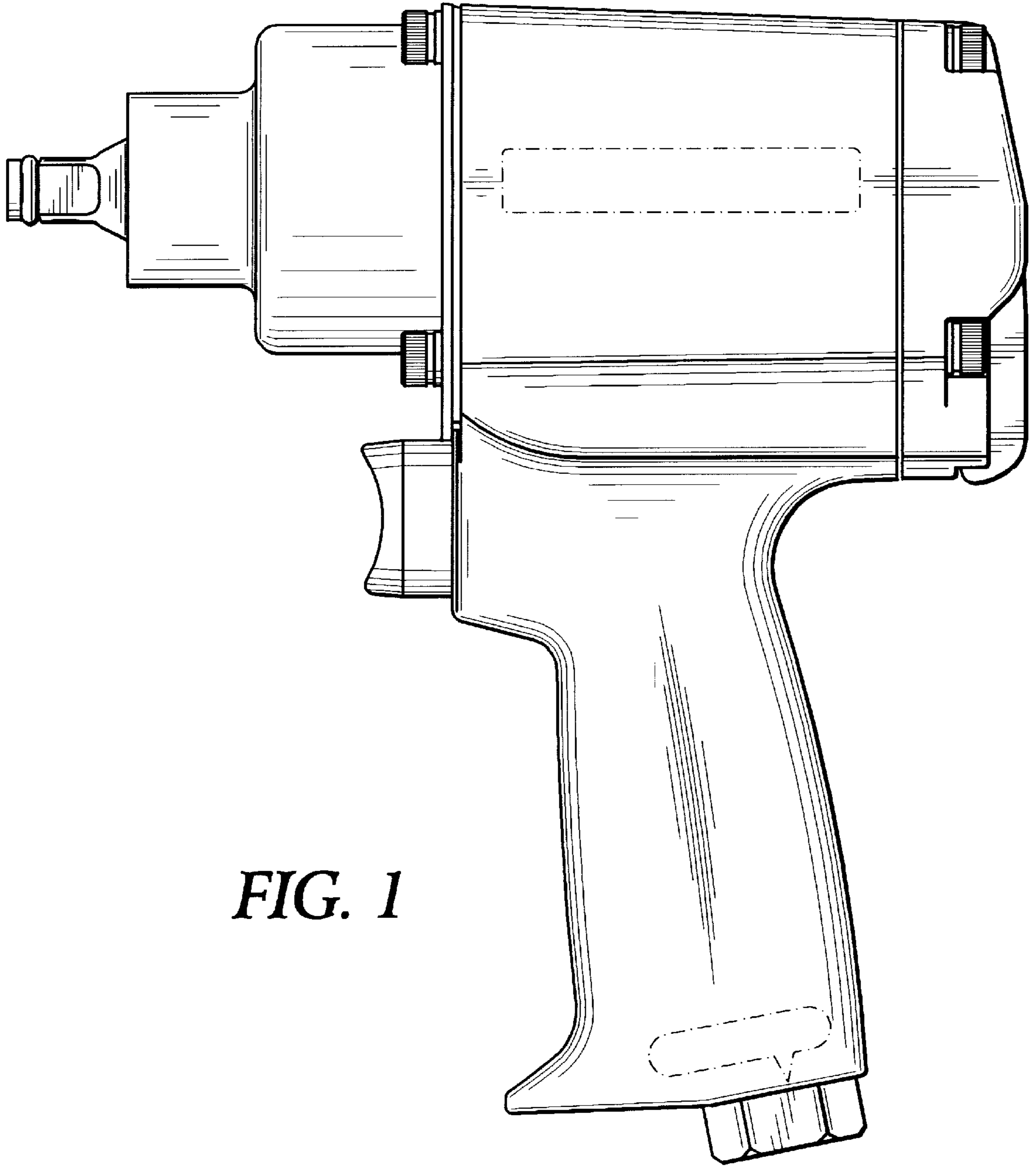
FIG. 5 is a top view of FIG. 1; and,

FIG. 6 is a bottom view of FIG. 1.

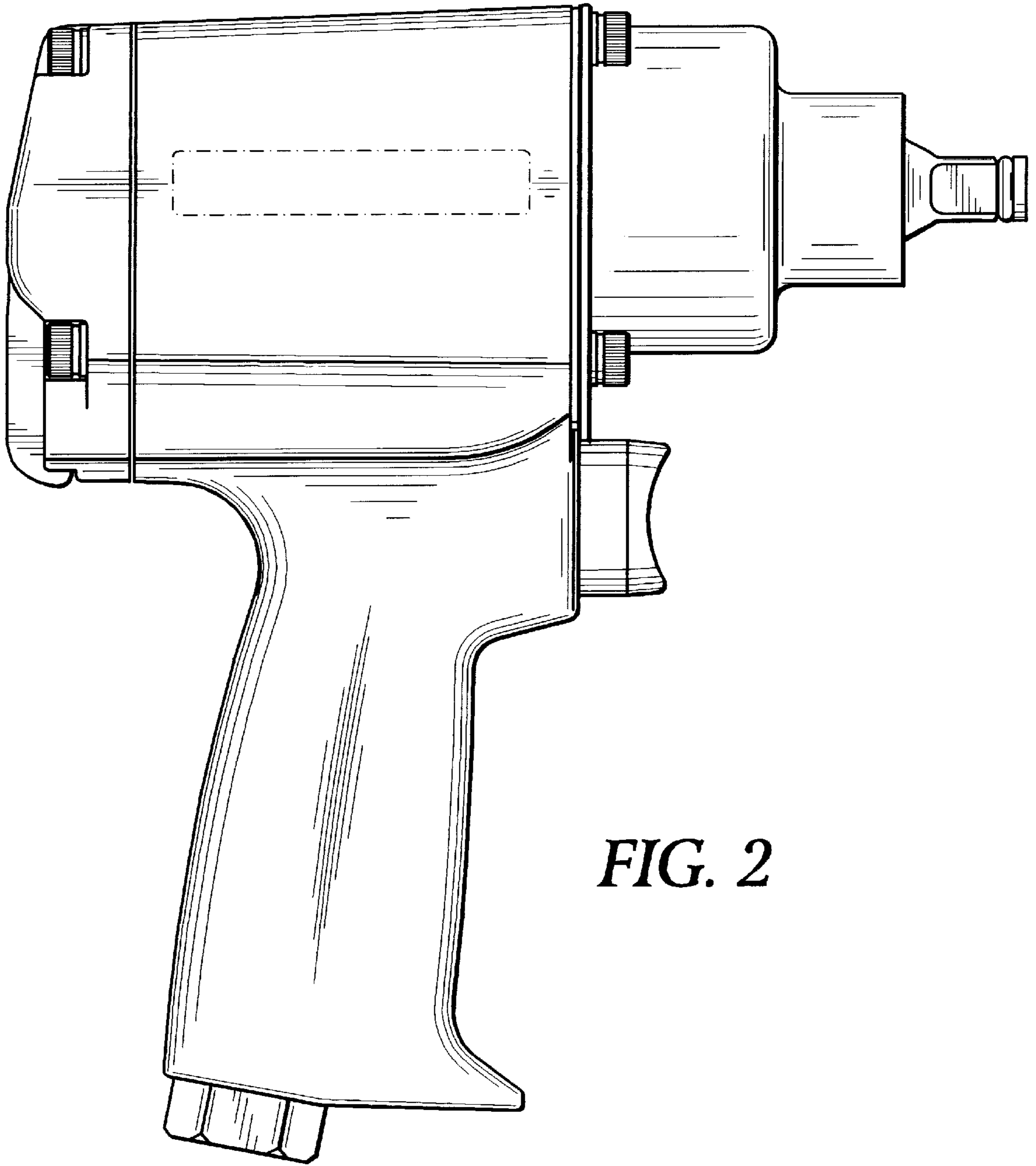
The broken lines which define the bounds of the claimed design form no part thereof.

**1 Claim, 4 Drawing Sheets**

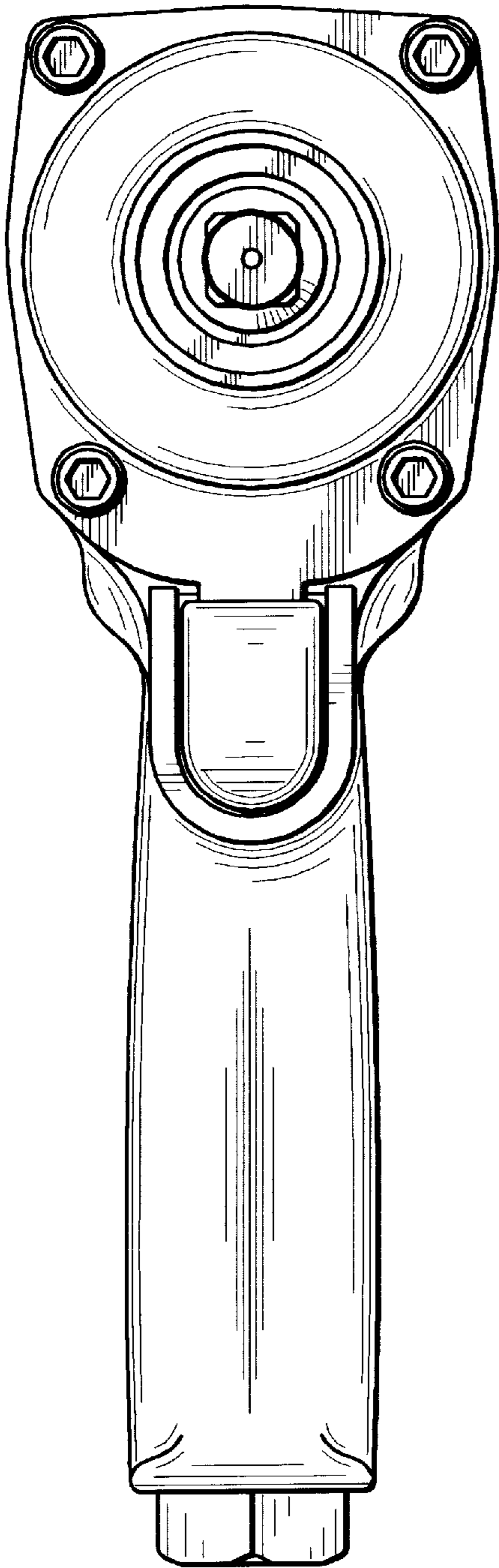




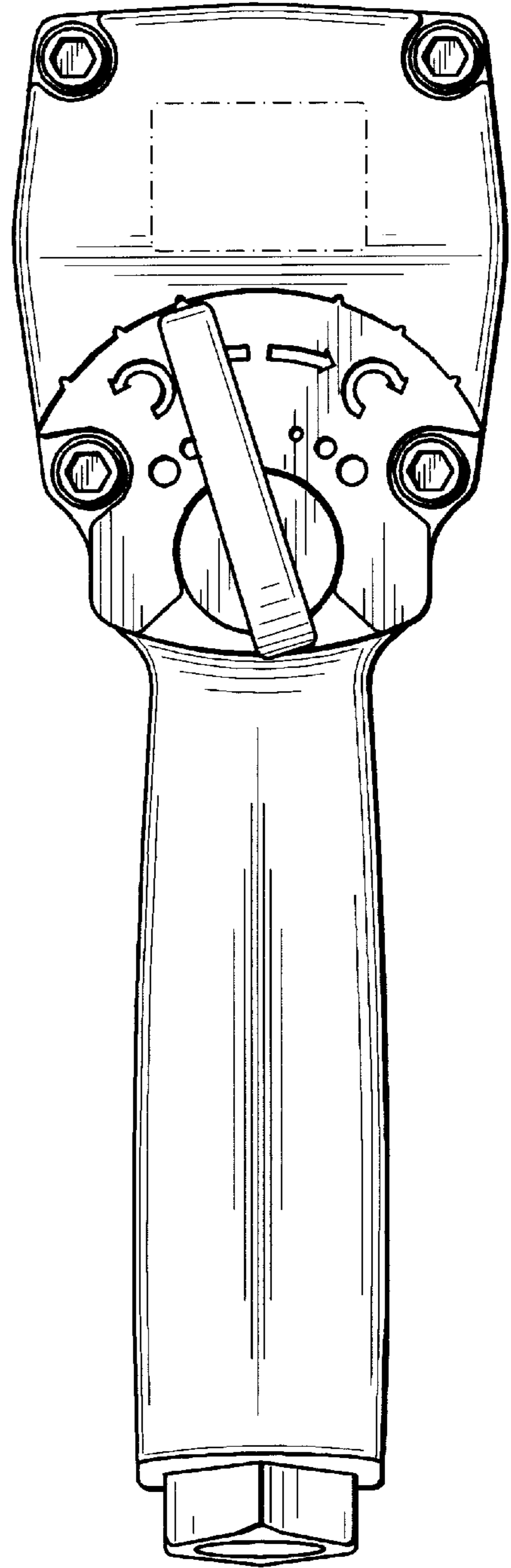
*FIG. 1*



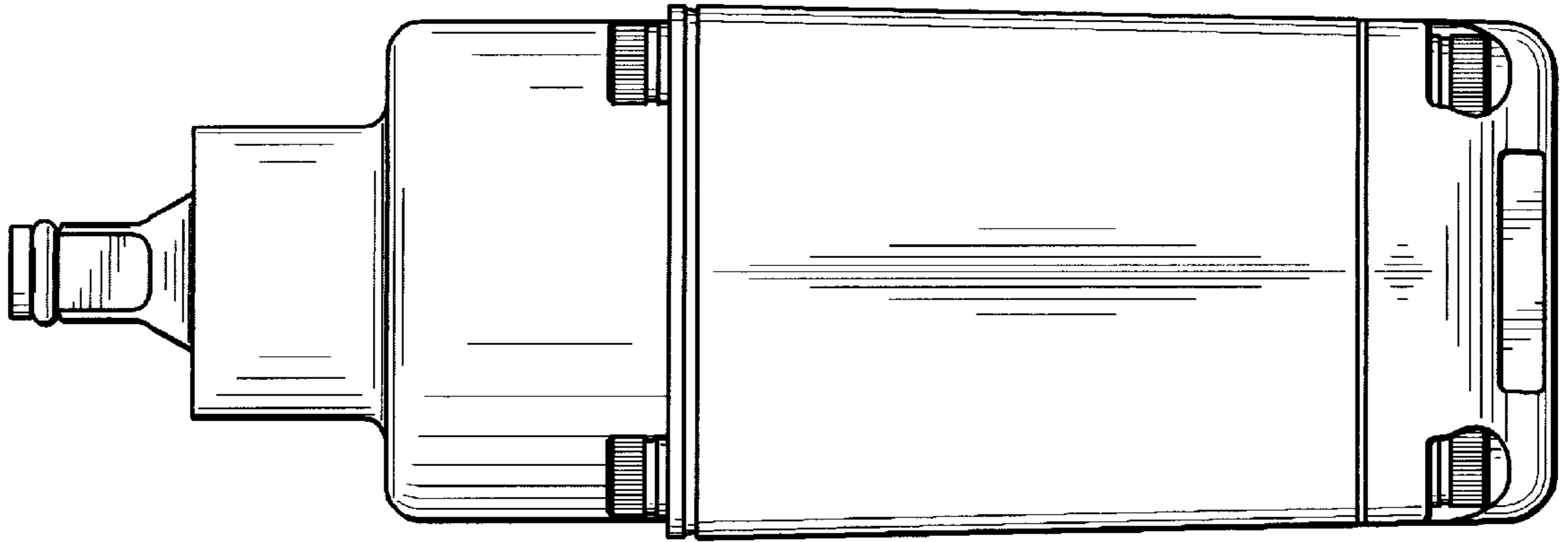
**FIG. 2**



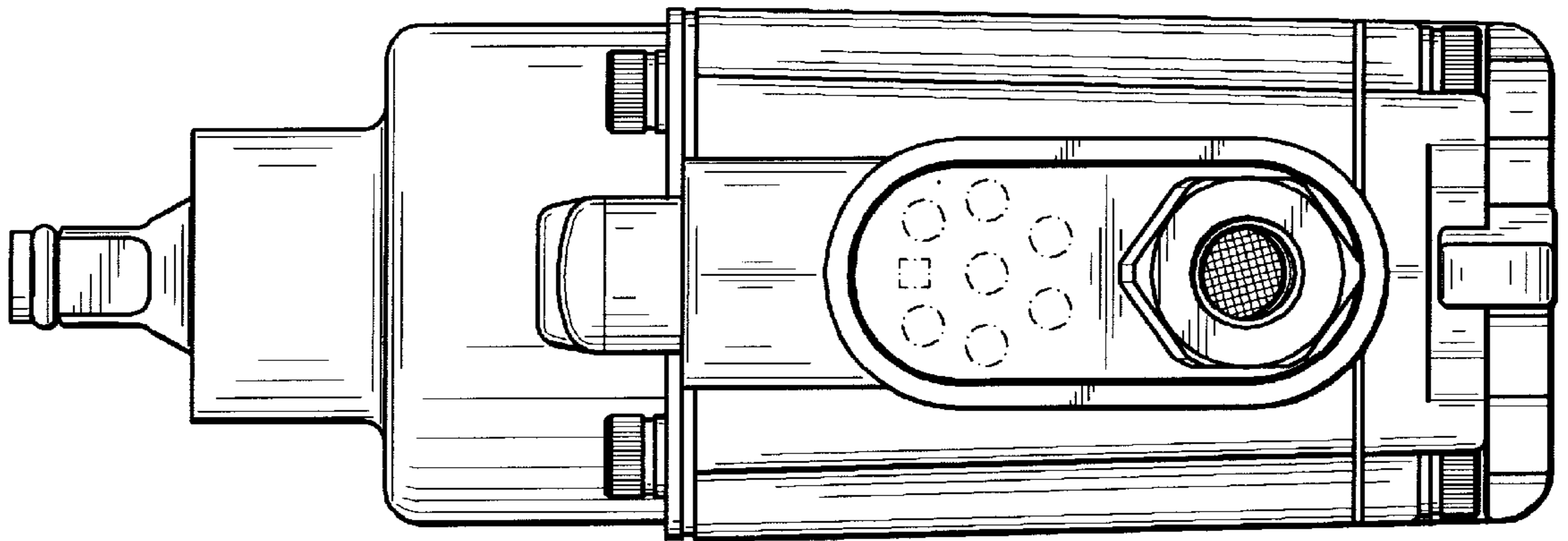
*FIG. 3*



*FIG. 4*



*FIG. 5*



*FIG. 6*