



US00D434296S

United States Patent [19] Ogasawara

[11] **Patent Number: Des. 434,296**

[45] **Date of Patent: ** Nov. 28, 2000**

[54] **PORTABLE ELECTRIC GRINDER**

[75] Inventor: **Daigo Ogasawara**, Tokyo, Japan

[73] Assignee: **Ryobi Ltd.**, Hiroshima-Ken, Japan

[**] Term: **14 Years**

[21] Appl. No.: **29/109,106**

[22] Filed: **Aug. 11, 1999**

[30] **Foreign Application Priority Data**

Mar. 11, 1999 [JP] Japan 11-6132
Mar. 11, 1999 [JP] Japan 11-6133

[51] **LOC (7) Cl.** **08-01**

[52] **U.S. Cl.** **D8/62; D8/70**

[58] **Field of Search** D8/61, 62, 67,
D8/107, 70, 83, 90, DIG. 7, 94; 451/48,
103, 108, 109, 111, 119, 162, 177, 259,
270, 344, 351-353, 357-359, 456

[56] **References Cited**

U.S. PATENT DOCUMENTS

D. 301,830 6/1989 Ogawa et al. D8/62

D. 402,870 12/1998 Etter et al. D8/62
D. 406,033 2/1999 Gouge, Jr. D8/61
D. 408,244 4/1999 Price D8/62
5,609,516 3/1997 Courson et al. 451/456
5,791,979 8/1998 Duncan et al. 451/456

Primary Examiner—Martie K. Holtje
Attorney, Agent, or Firm—Arent Fox Kintner Plotkin & Kahn, PLLC

[57] **CLAIM**

The ornamental design for a portable electric grinder, as shown and described.

DESCRIPTION

FIG. 1 is a front view of a portable electric grinder, showing our new design;

FIG. 2 is a rear view thereof;

FIG. 3 is a top plan view thereof;

FIG. 4 is a bottom plan view thereof; and,

FIG. 5 is a right side view thereof, the left side view of the article forming no part of the claimed design.

The structure depicted by means of broken lines in the figures has been shown for illustrative purposes only and forms no part of the claimed design.

1 Claim, 3 Drawing Sheets

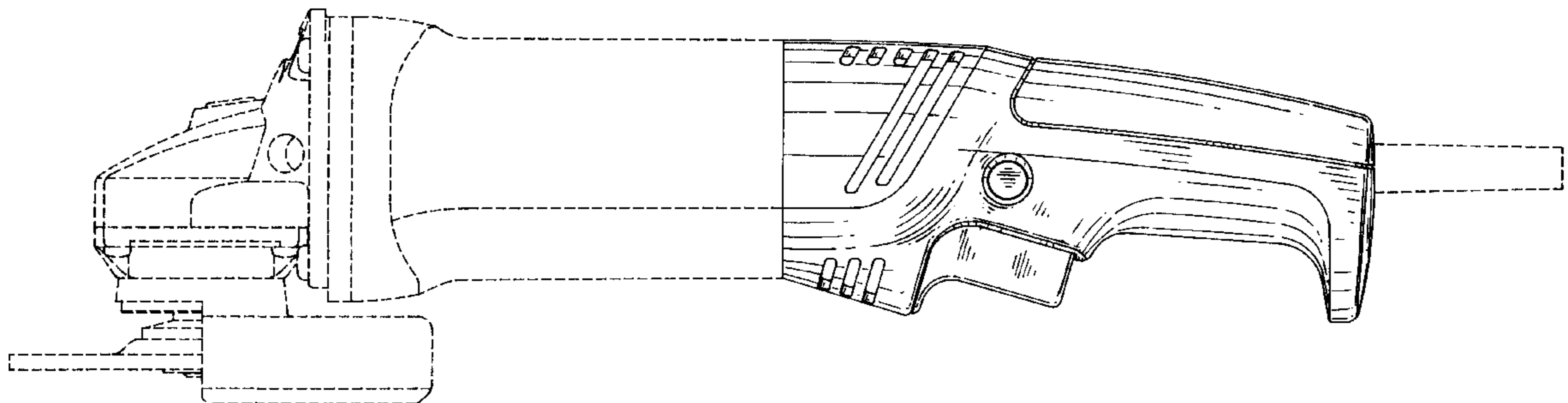


FIG. 1

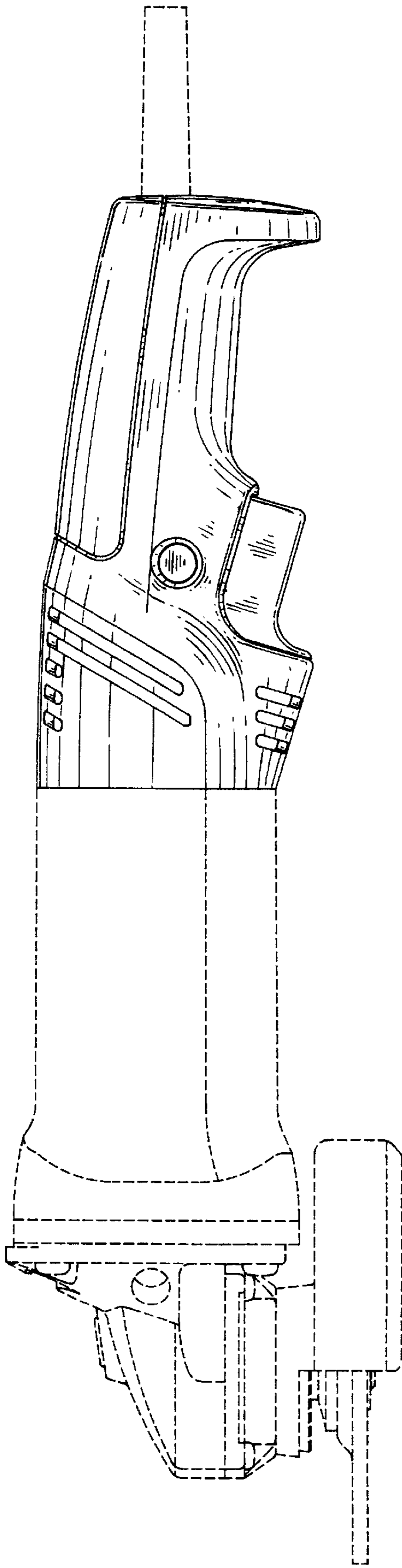


FIG. 2

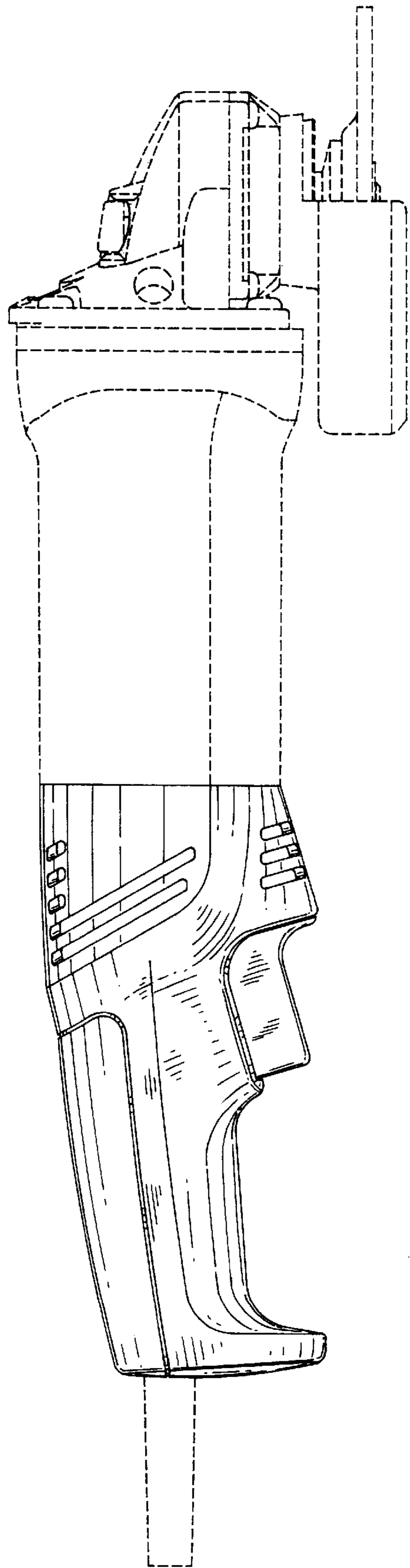


FIG. 3

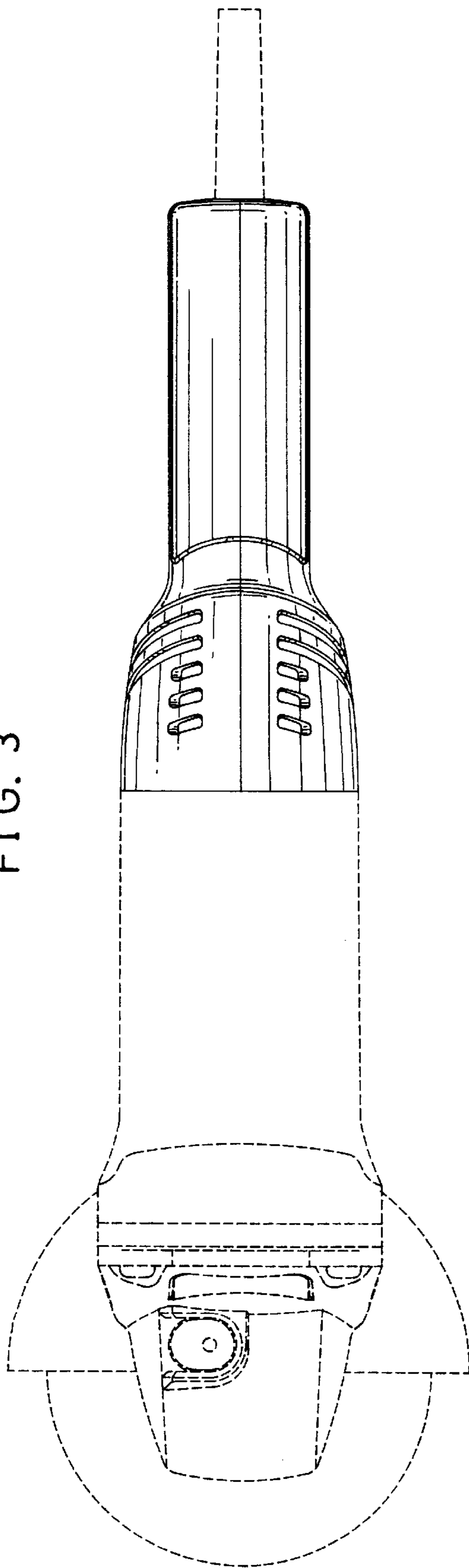


FIG. 4

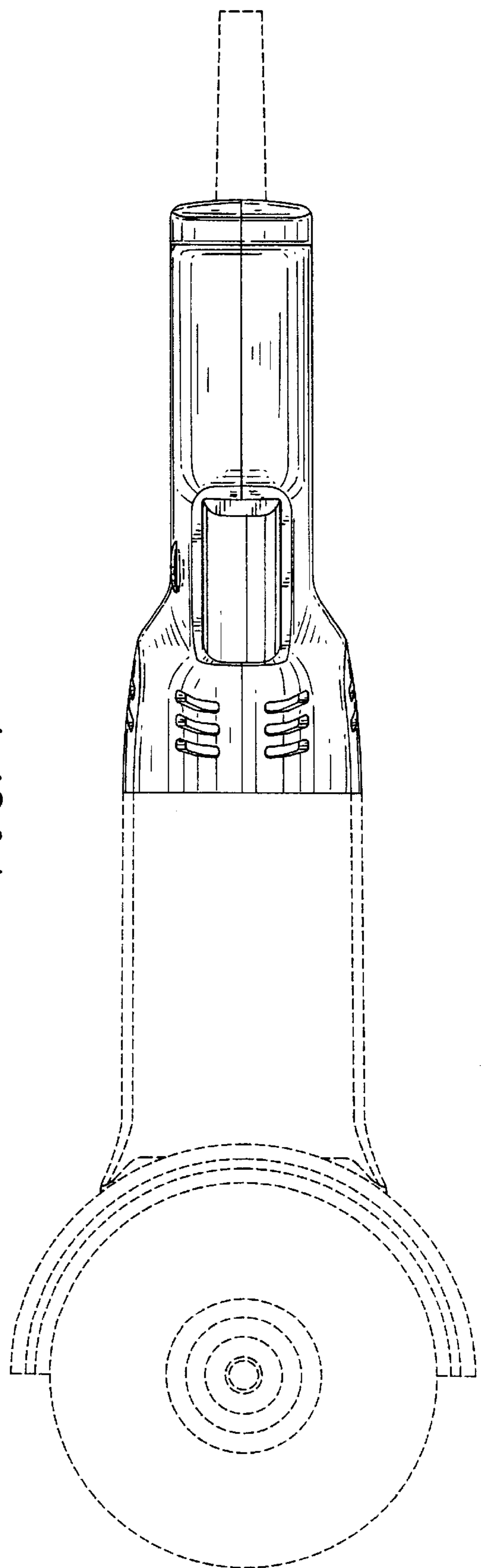


FIG. 5

