



US00D434294S

United States Patent [19]
Bernel

[11] **Patent Number: Des. 434,294**

[45] **Date of Patent: ** Nov. 28, 2000**

[54] **SOCKET WRENCH**

OTHER PUBLICATIONS

[76] Inventor: **Enrique Bernel**, 9339 - 72 Avenue,
Edmonton, Alberta, Canada, T6E 0Y3

Letter from InfoTree Inc. dated Sep. 8, 1998 with copies of
abstracts of 23 U.S. Patents and first page of Design Patents
attached, 26 pages.

[**] Term: **14 Years**

Drawing Page and Claim Page from Canadian patent appli-
cation 2,180,053.

[21] Appl. No.: **29/101,053**

Drawing Page and Claim Page from Canadian patent appli-
cation 2,070,092.

[22] Filed: **Feb. 24, 1999**

[51] **LOC (7) Cl.** **08-05**

Primary Examiner—Richelle Shelton

[52] **U.S. Cl.** **D8/29**

Attorney, Agent, or Firm—Christensen O'Connor Johnson
Kindness PLLC

[58] **Field of Search** D8/21-29; 81/58,
81/176.2, 119, 121.1, 125, 124.7, 177.1,
186

[57] **CLAIM**

The ornamental design for a socket wrench, as shown and
described.

[56] **References Cited**

DESCRIPTION

U.S. PATENT DOCUMENTS

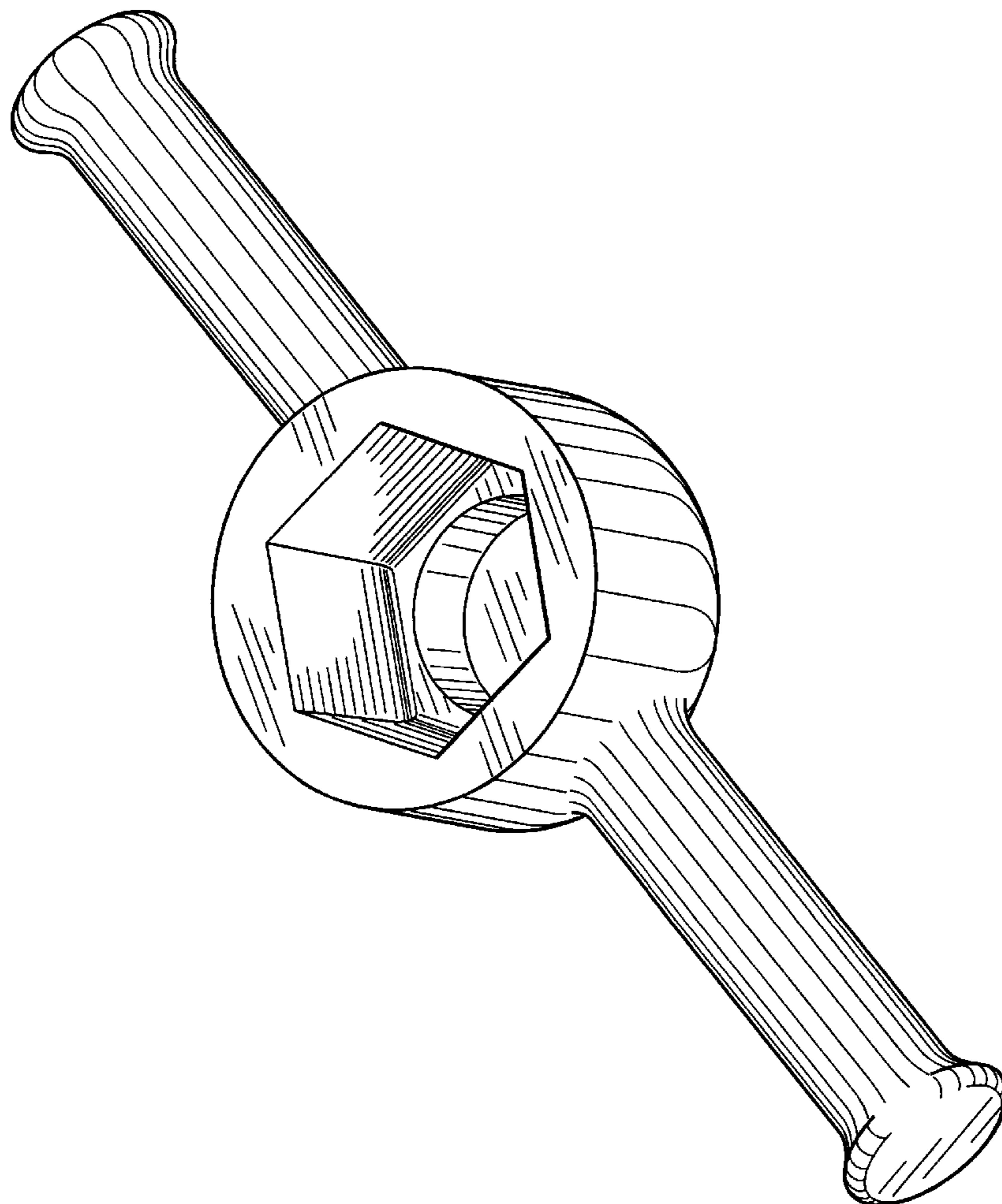
D. 386,955	12/1997	Jones et al.	D8/25
827,846	8/1906	Bowser et al.	D8/29 X
934,503	9/1909	Chapman	D8/29 X
1,818,626	8/1931	Johnston	81/186
4,005,622	2/1977	Bassett .		

FIG. 1 is a perspective view.
FIG. 2 is a reduced side elevation view.
FIG. 3 is a reduced bottom plan view.
FIG. 4 is a reduced top plan view; and,
FIG. 5 is a reduced end elevation view.

FOREIGN PATENT DOCUMENTS

262415	1/1929	Italy	81/186
--------	--------	-------	-------	--------

1 Claim, 2 Drawing Sheets



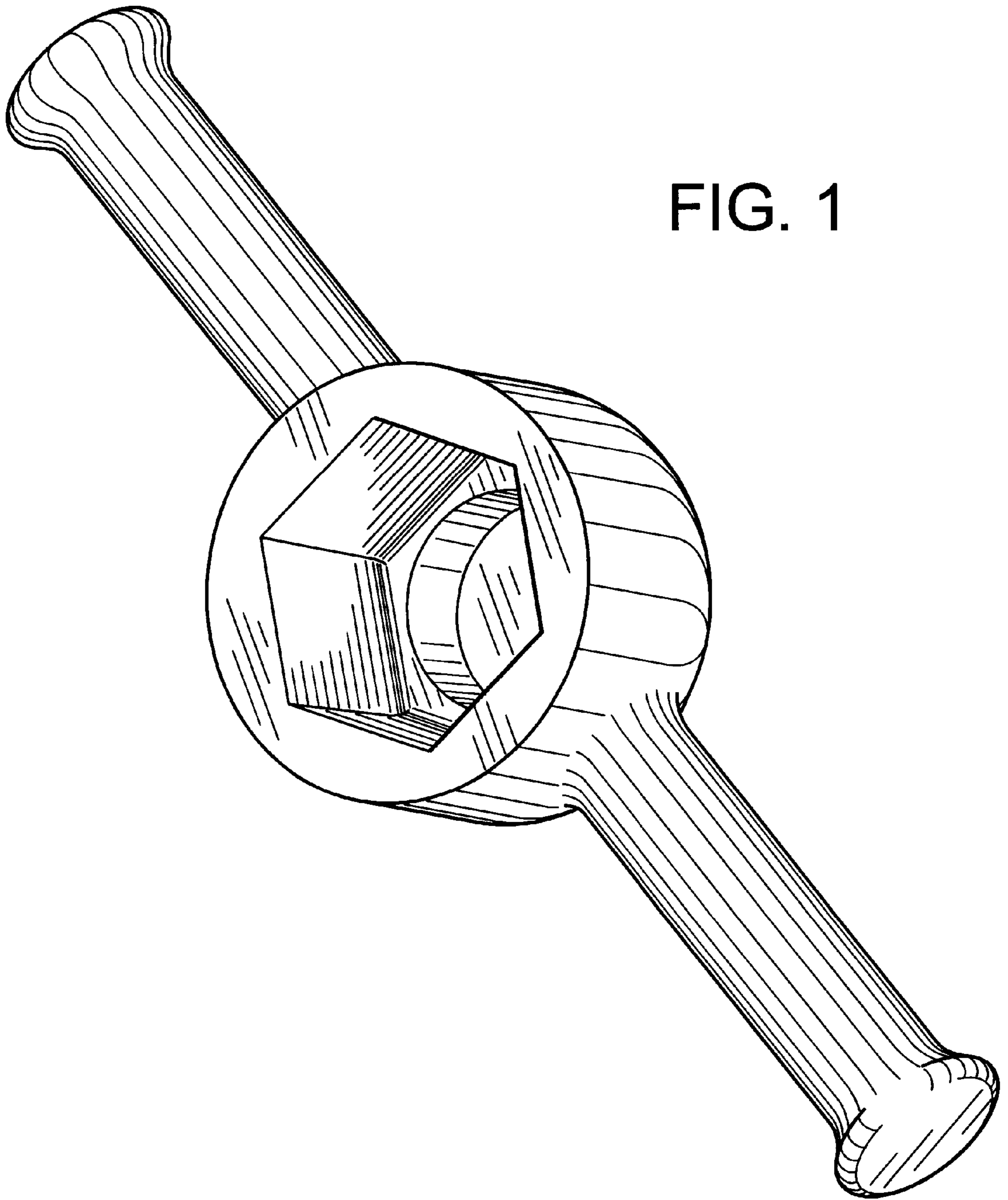


FIG. 1

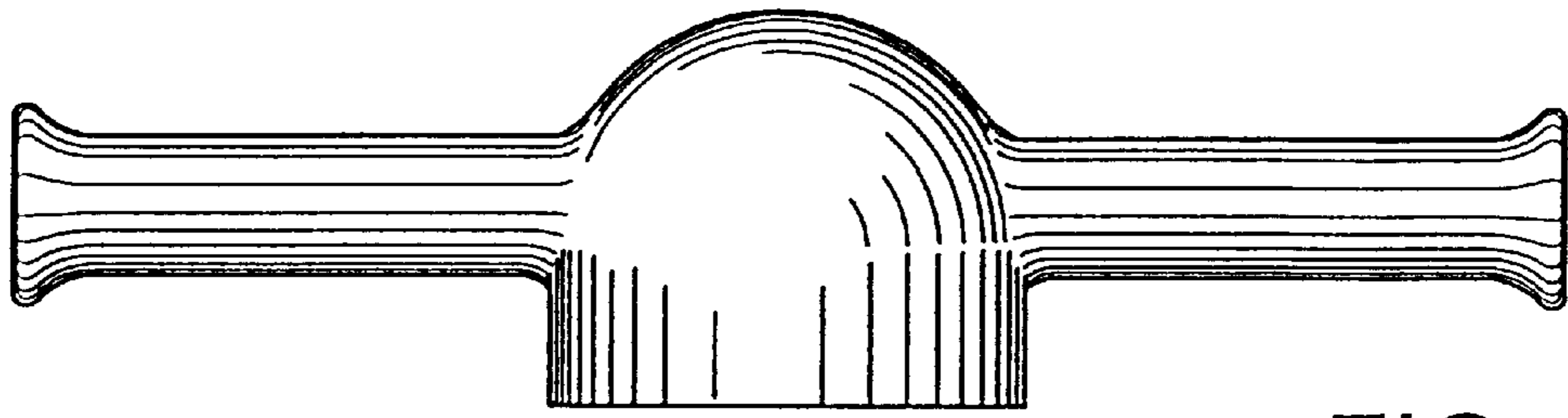


FIG. 2

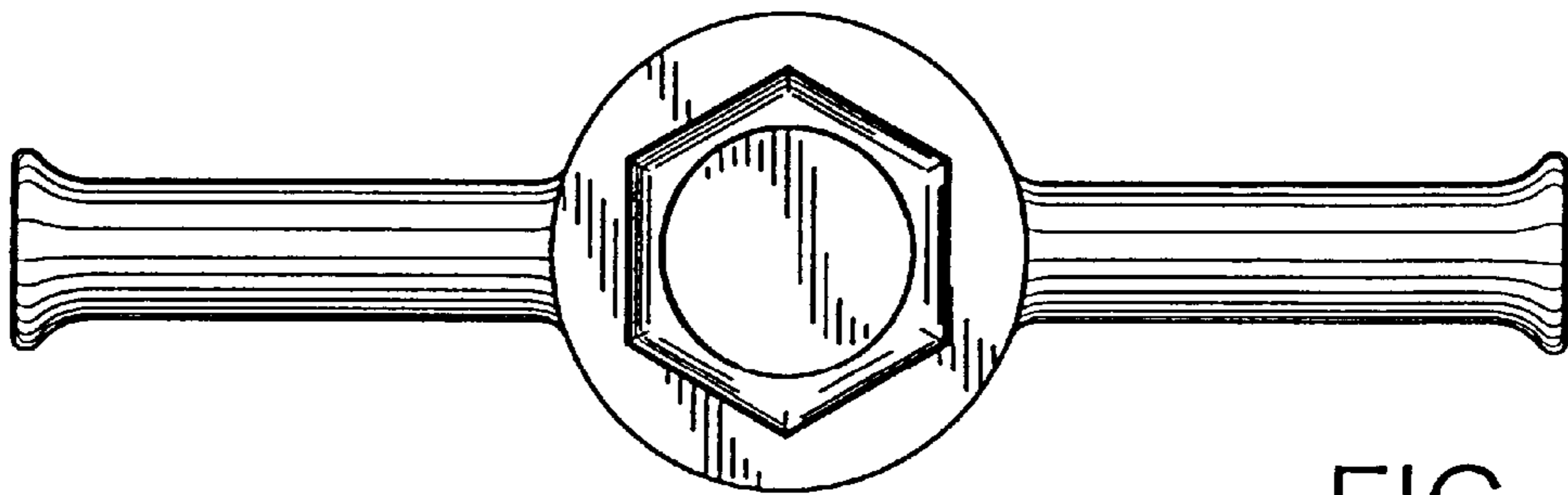


FIG. 3

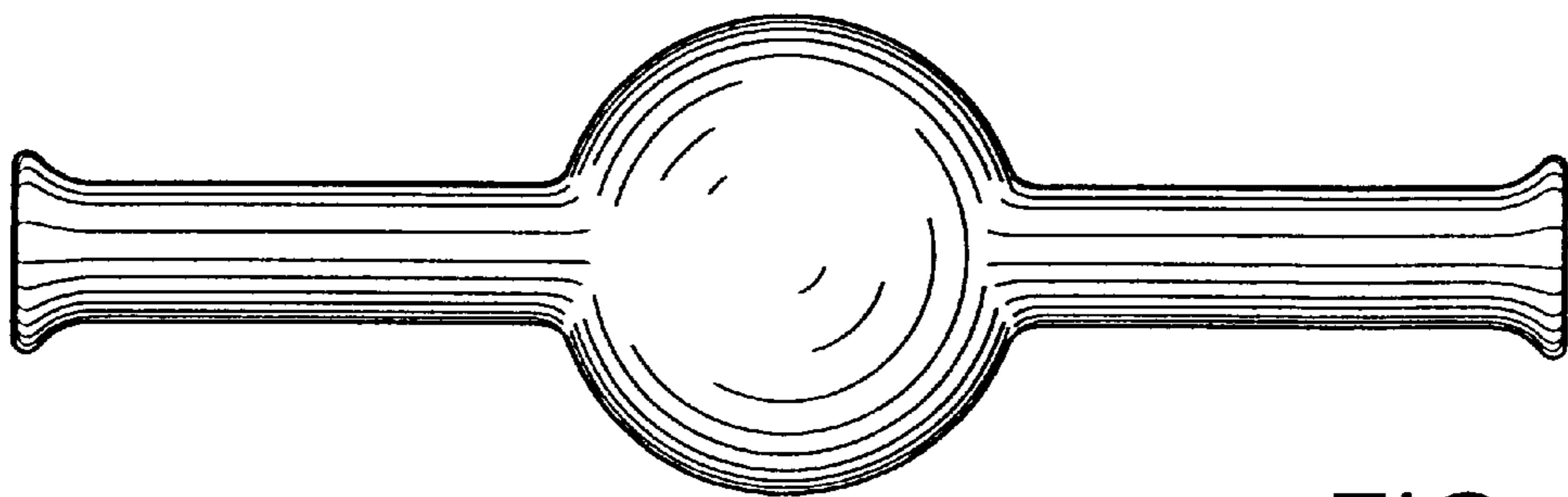


FIG. 4

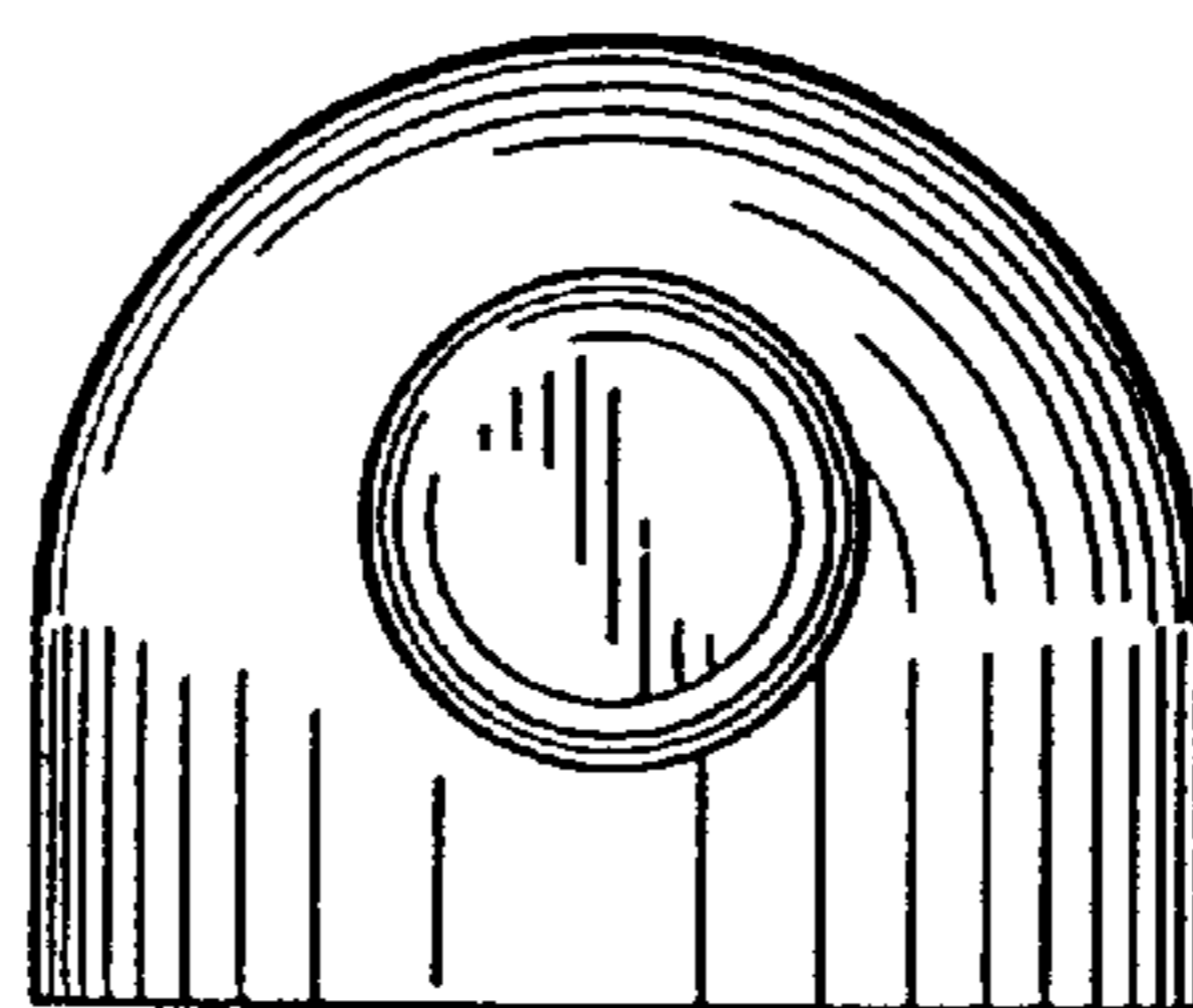


FIG. 5