



US00D434291S

United States Patent [19]
Kim

[11] **Patent Number: Des. 434,291**

[45] **Date of Patent: ** Nov. 28, 2000**

[54] **VALVE TOOL**

[76] **Inventor: Kenneth Kim, 3807 Wilshire Blvd., Ste 1106, Los Angeles, Calif. 90010**

[**] **Term: 14 Years**

[21] **Appl. No.: 29/107,655**

[22] **Filed: Jul. 12, 1999**

[51] **LOC (7) Cl. 08-05**

[52] **U.S. Cl. D8/21; D8/29**

[58] **Field of Search D8/21, 29; D21/484, D21/488; 81/124.2, 176.15**

D. 425,770	5/2000	Hsieh	D8/29
1,430,940	10/1922	Cattin	81/124.2
4,836,065	6/1989	Setliff	81/124.2
5,031,981	7/1991	Peterson	81/176.15
5,697,268	12/1997	Makovsky et al.	81/176.15

Primary Examiner—Raphael Barkai
Attorney, Agent, or Firm—Roger A. Marrs

[57] **CLAIM**

The ornamental design for a valve tool, substantially as shown and described.

DESCRIPTION

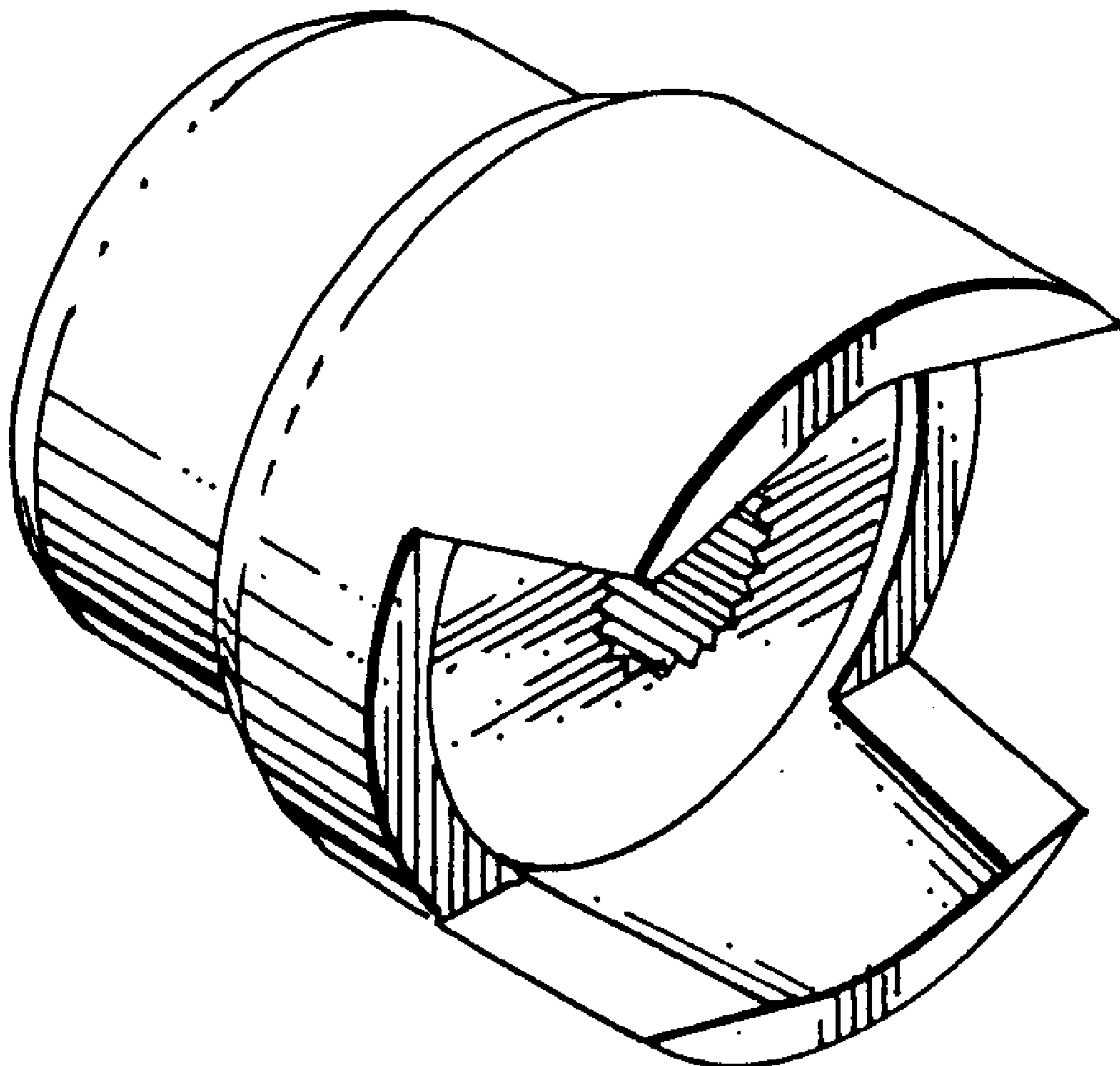
FIG. 1 is a front perspective view showing my new design for a valve tool;
FIG. 2 is a rear perspective view thereof rotated 90 degrees from that shown in FIG. 1;
FIG. 3 is an enlarged side elevational view with the opposite side view being a mirror image thereof;
FIG. 4 is an enlarged front elevational view thereof; and,
FIG. 5 is an enlarged rear elevational view thereof.

[56] **References Cited**

U.S. PATENT DOCUMENTS

D. 255,471	6/1980	Loechel	D21/488
D. 274,881	7/1984	Wilsey	D8/29
D. 319,562	9/1991	Ballard	D8/29
D. 329,178	9/1992	Ackerman	D8/21
342,824	6/1886	Clark	81/124.2
D. 359,669	6/1995	Splingaire	D8/29

1 Claim, 1 Drawing Sheet



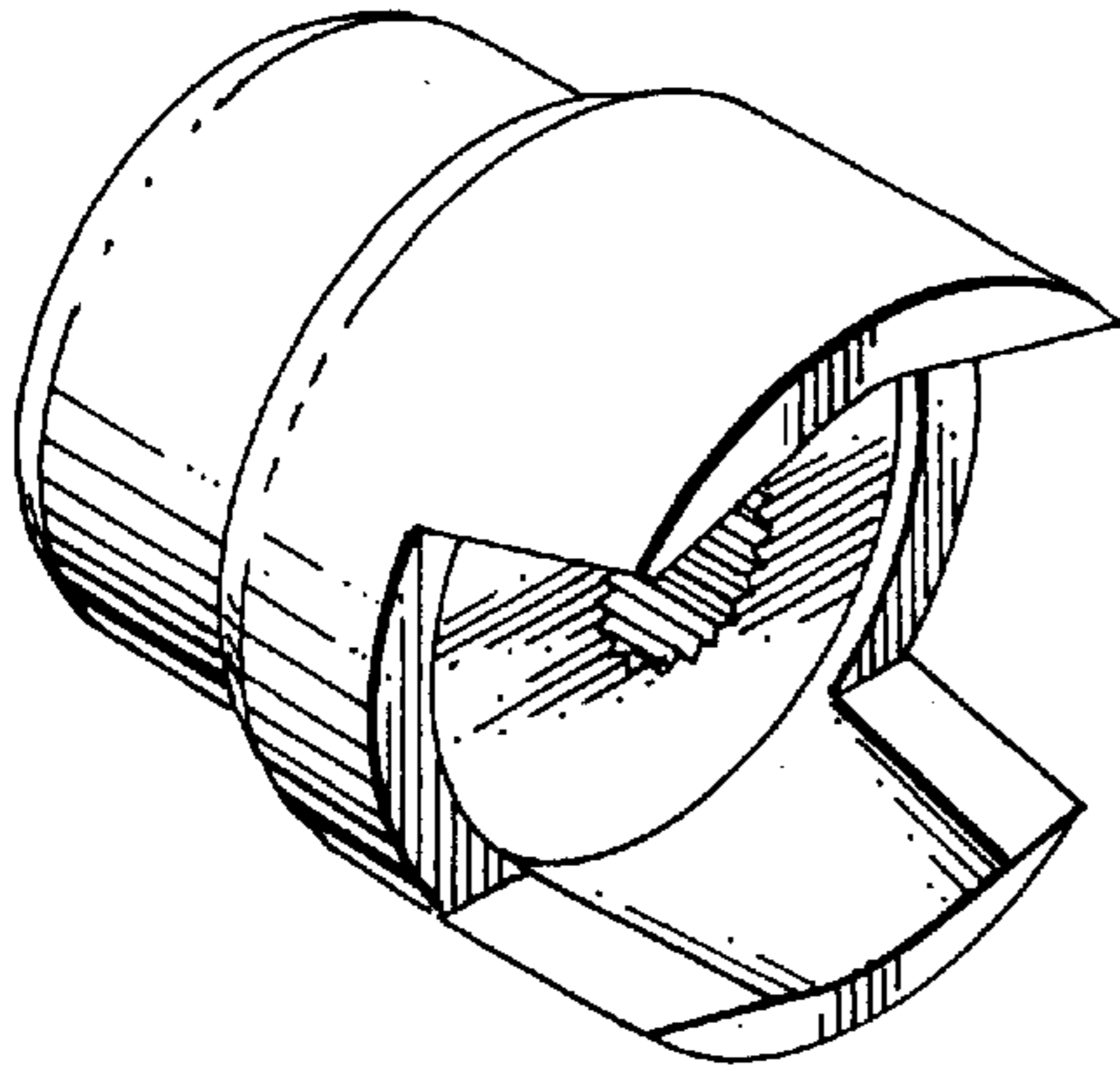


FIG. 1

FIG. 2

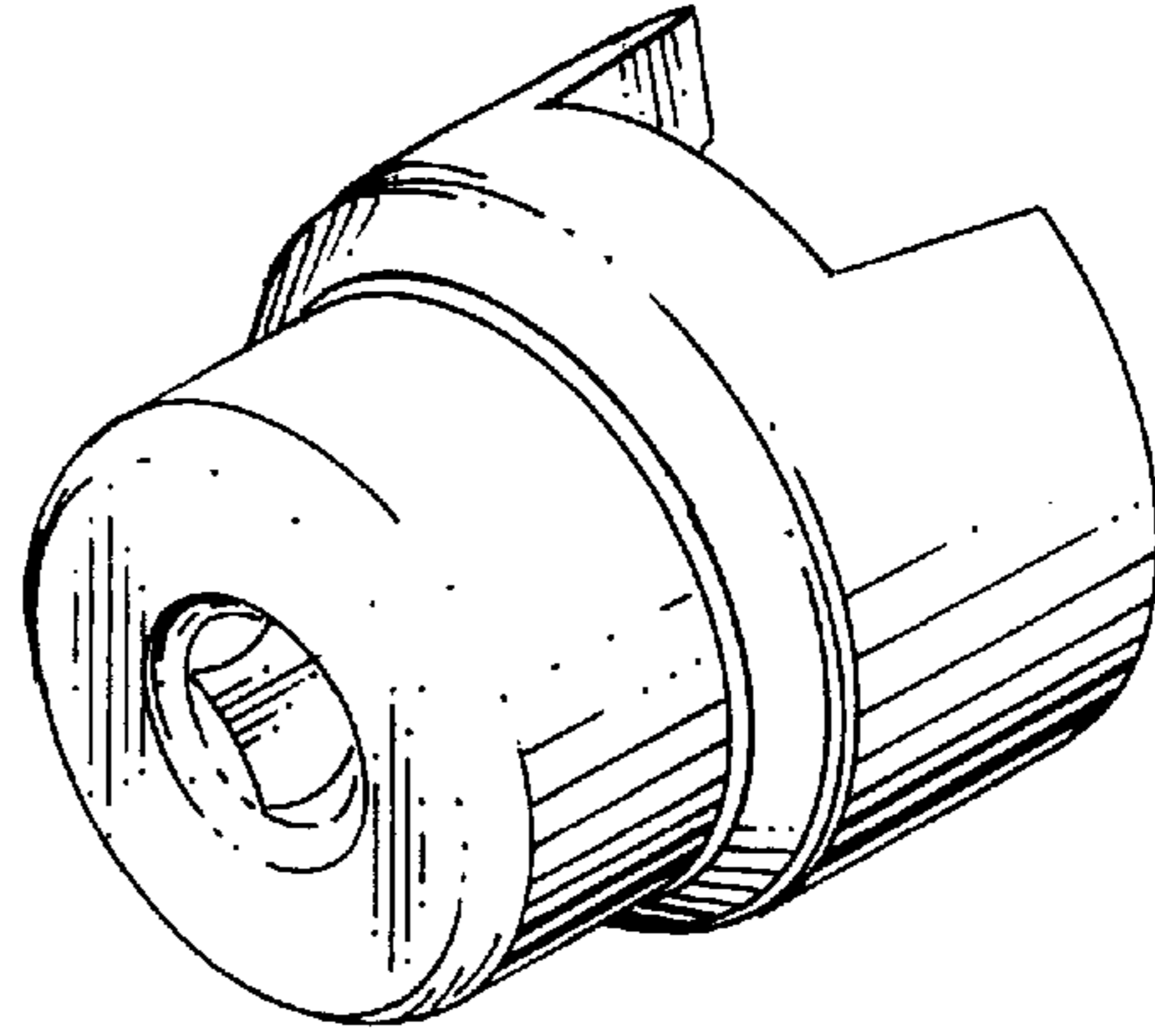


FIG. 3

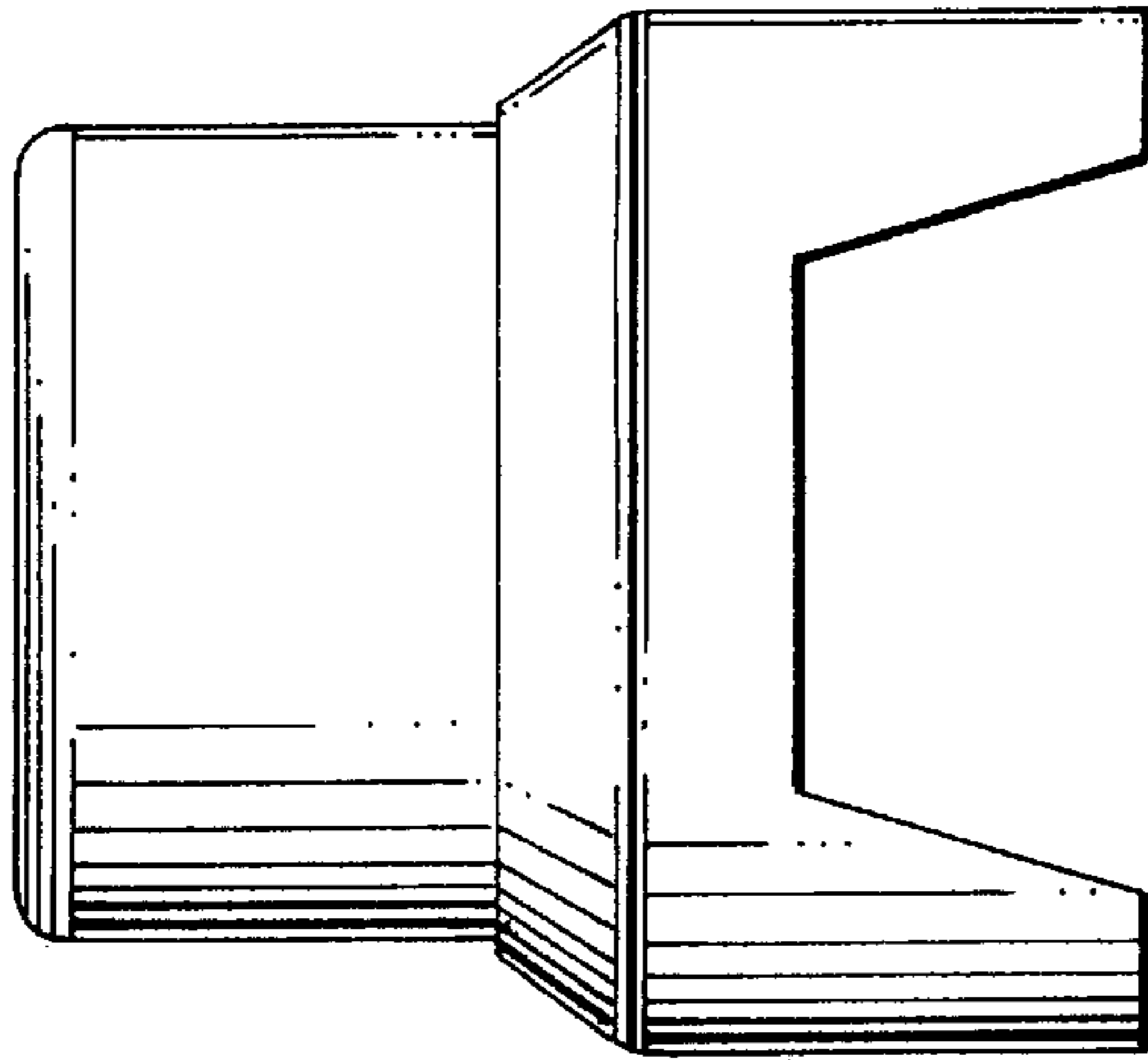


FIG. 4

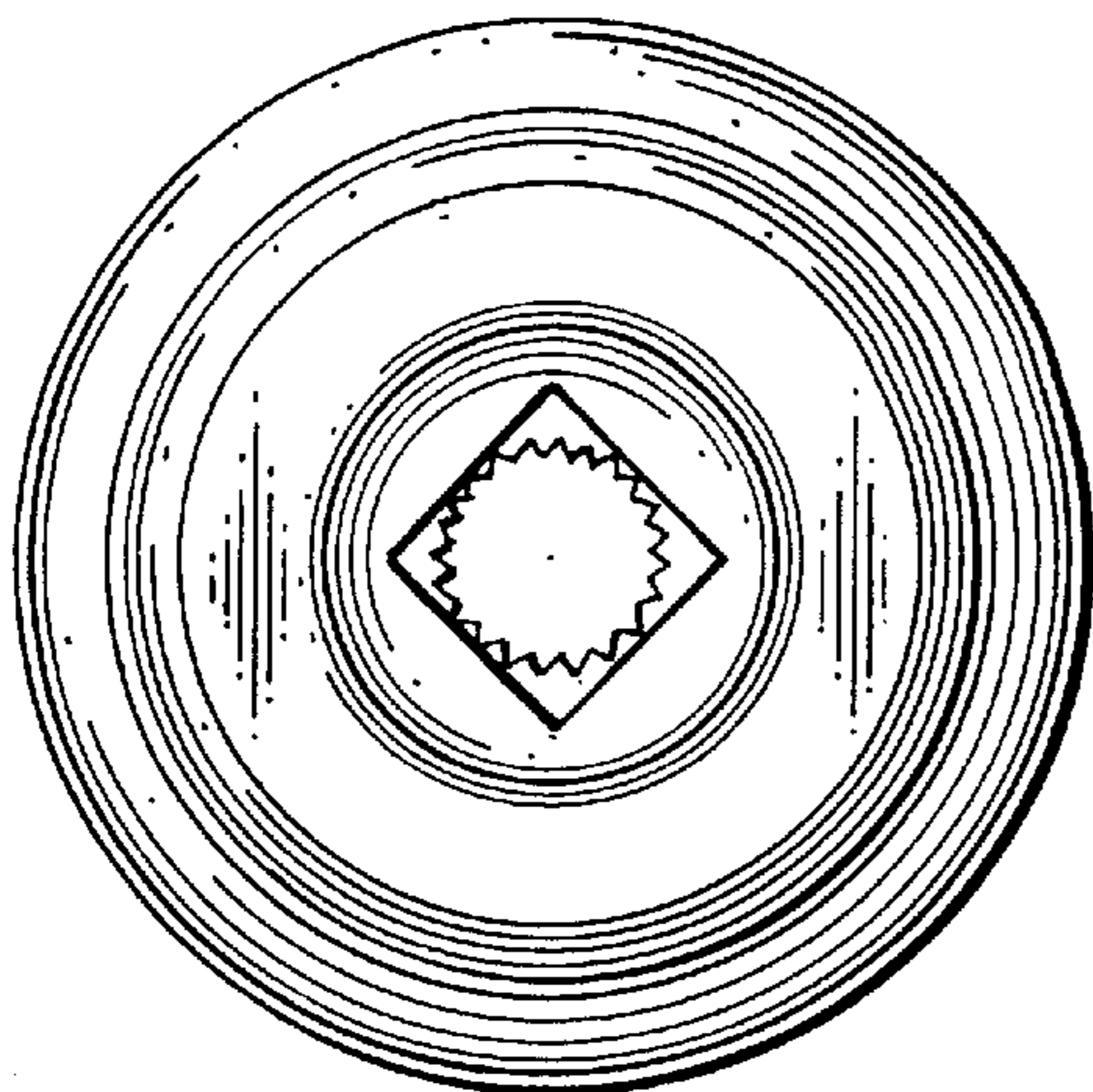
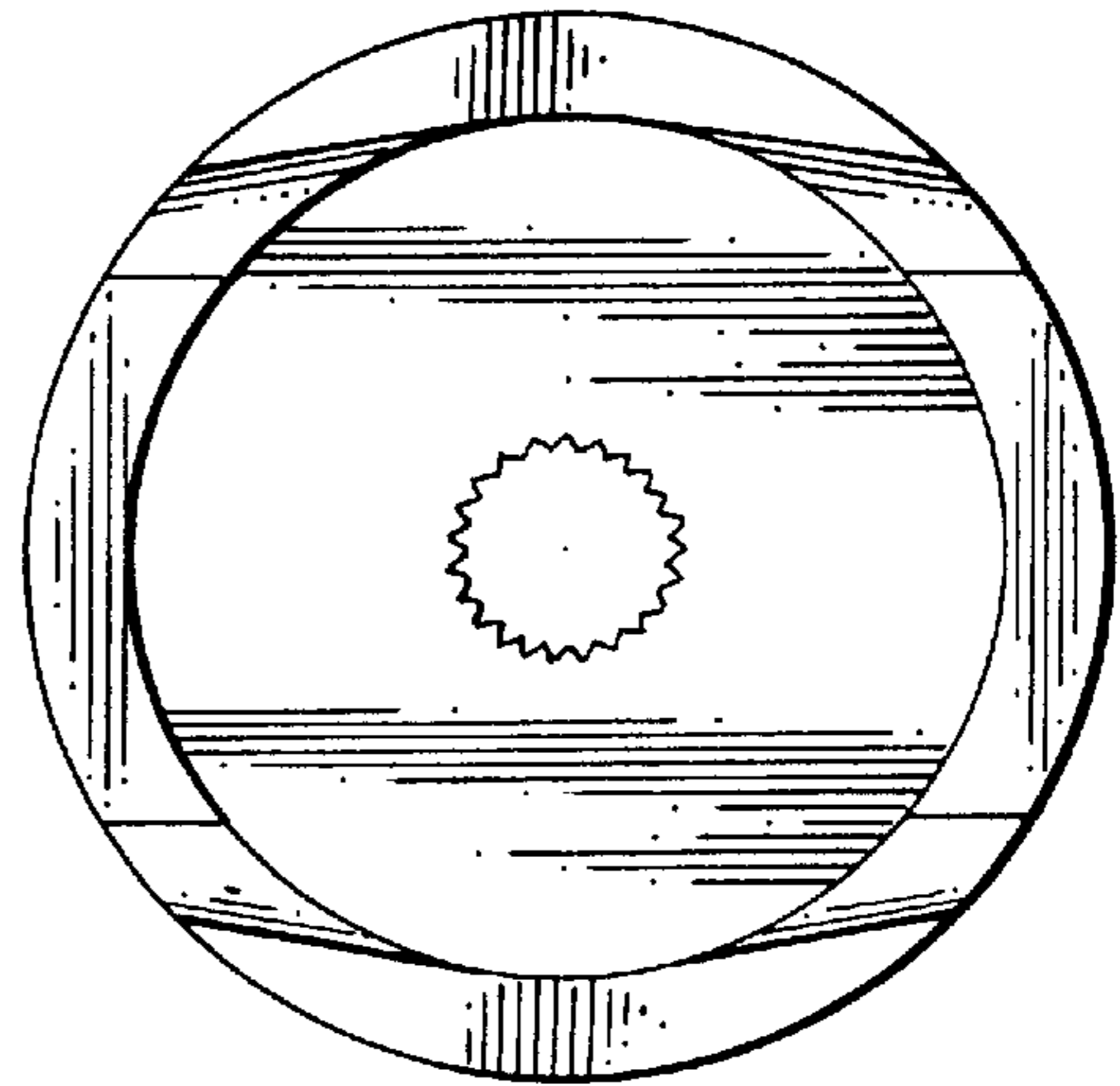


FIG. 5