



US00D434289S

United States Patent [19]
McMullin

[11] **Patent Number: Des. 434,289**
[45] **Date of Patent: ** Nov. 28, 2000**

[54] **GOLF CLEAT WRENCH HEAD**

2,270,092 1/1942 Thompson 81/176.15
2,279,118 4/1942 Fortune 81/176.15
5,875,694 3/1999 Graf 81/461

[75] Inventor: **Faris W. McMullin**, Boise, Id.

[73] Assignee: **Softspikes, Inc.**, Gaithersburg, Md.

[**] Term: **14 Years**

Primary Examiner—Ted Shooman
Assistant Examiner—Richelle Shelton
Attorney, Agent, or Firm—Fish & Neave; Jeffrey H. Ingerman

[21] Appl. No.: **29/088,987**

[57] **CLAIM**

[22] Filed: **Jun. 4, 1998**

The ornamental design for a golf cleat wrench head, as shown and described.

[51] **LOC (7) Cl.** **08-05**

[52] **U.S. Cl.** **D8/21; D8/70**

[58] **Field of Search** D8/21, 27, 70,
D8/86; D21/789; 81/119, 176.1, 176.15,
176.2, 461

DESCRIPTION

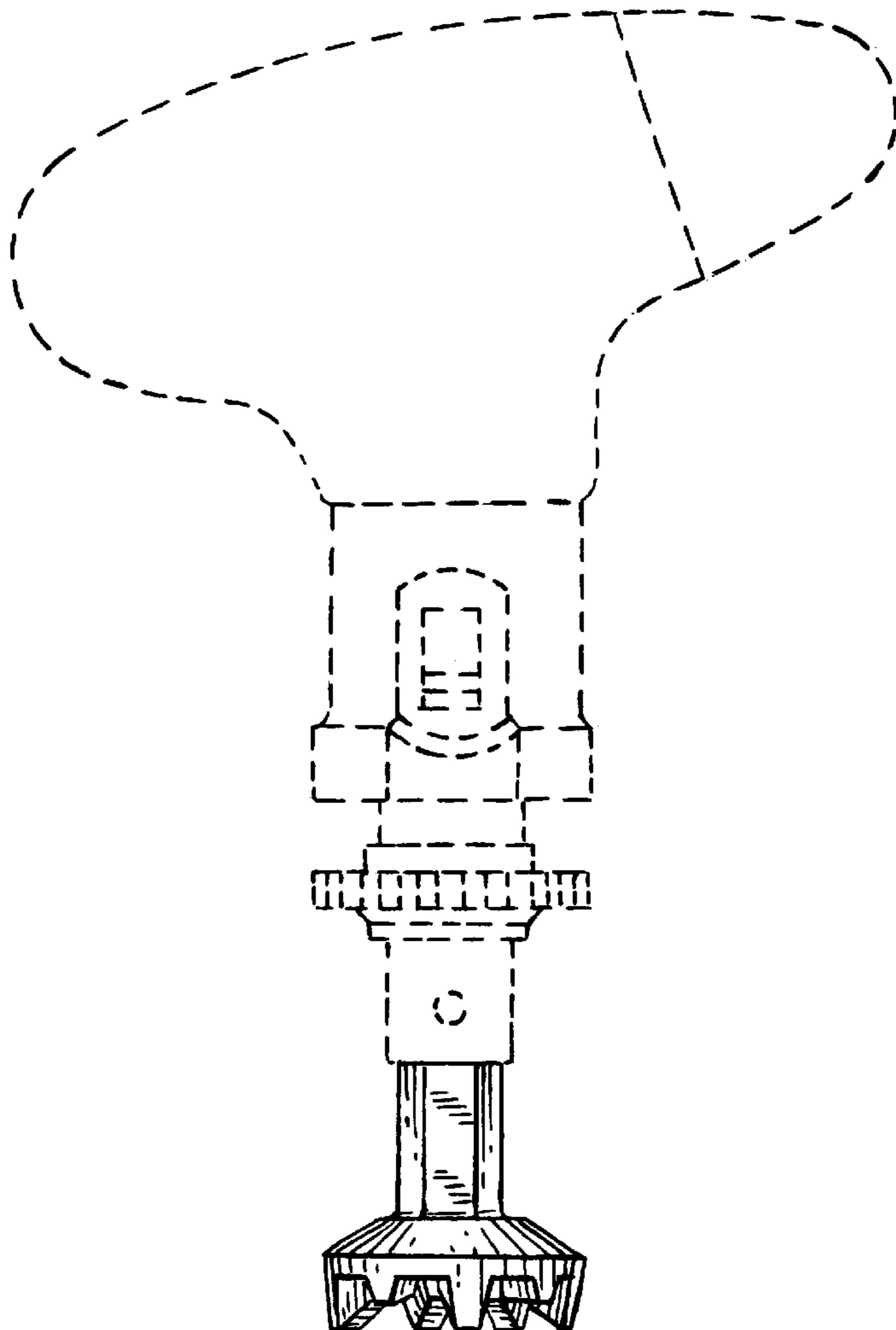
[56] **References Cited**

U.S. PATENT DOCUMENTS

D. 306,123 2/1990 Ramsey D8/14
D. 343,558 1/1994 Latraverse et al. D8/21
D. 378,655 4/1997 Anderson D8/70

FIG. 1 is a front perspective view of a golf cleat wrench head showing my new design;
FIG. 2 is a partial first side elevational view thereof;
FIG. 3 is a rear elevational view thereof;
FIG. 4 is a second side elevational view thereof, perpendicular to FIG. 2; and,
FIG. 5 is a front elevational view thereof.

1 Claim, 2 Drawing Sheets



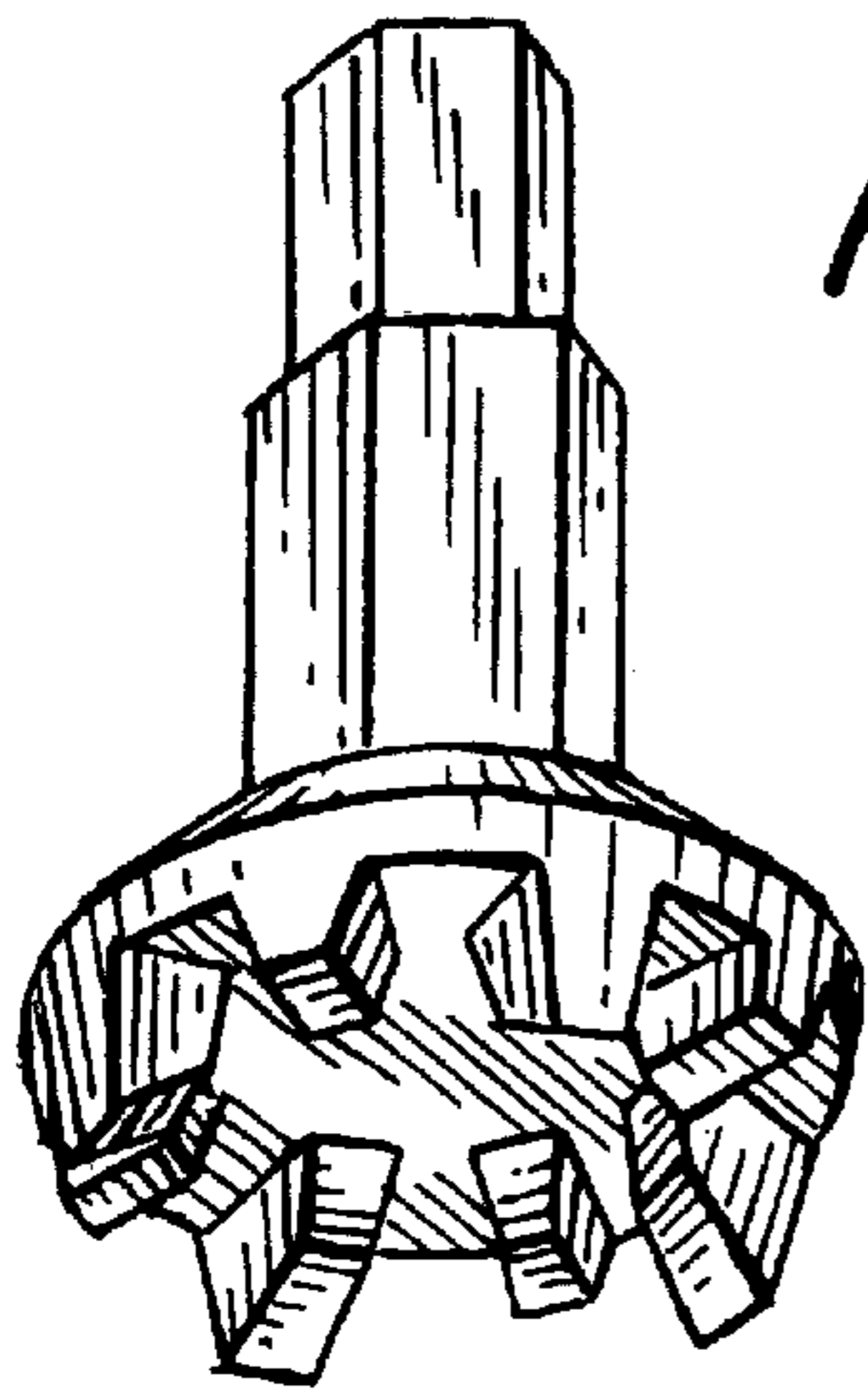


FIG. 1

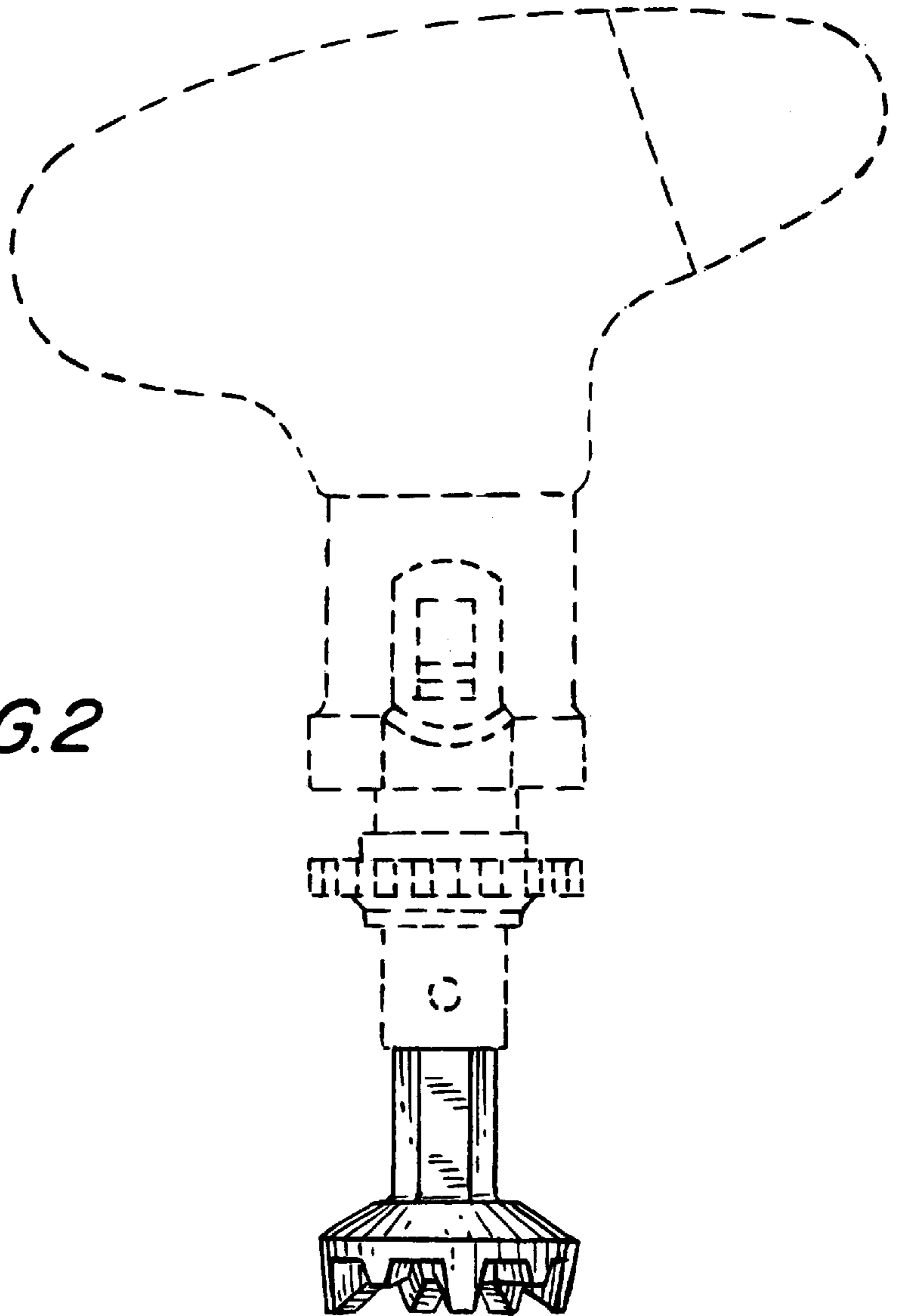


FIG. 2

FIG. 3

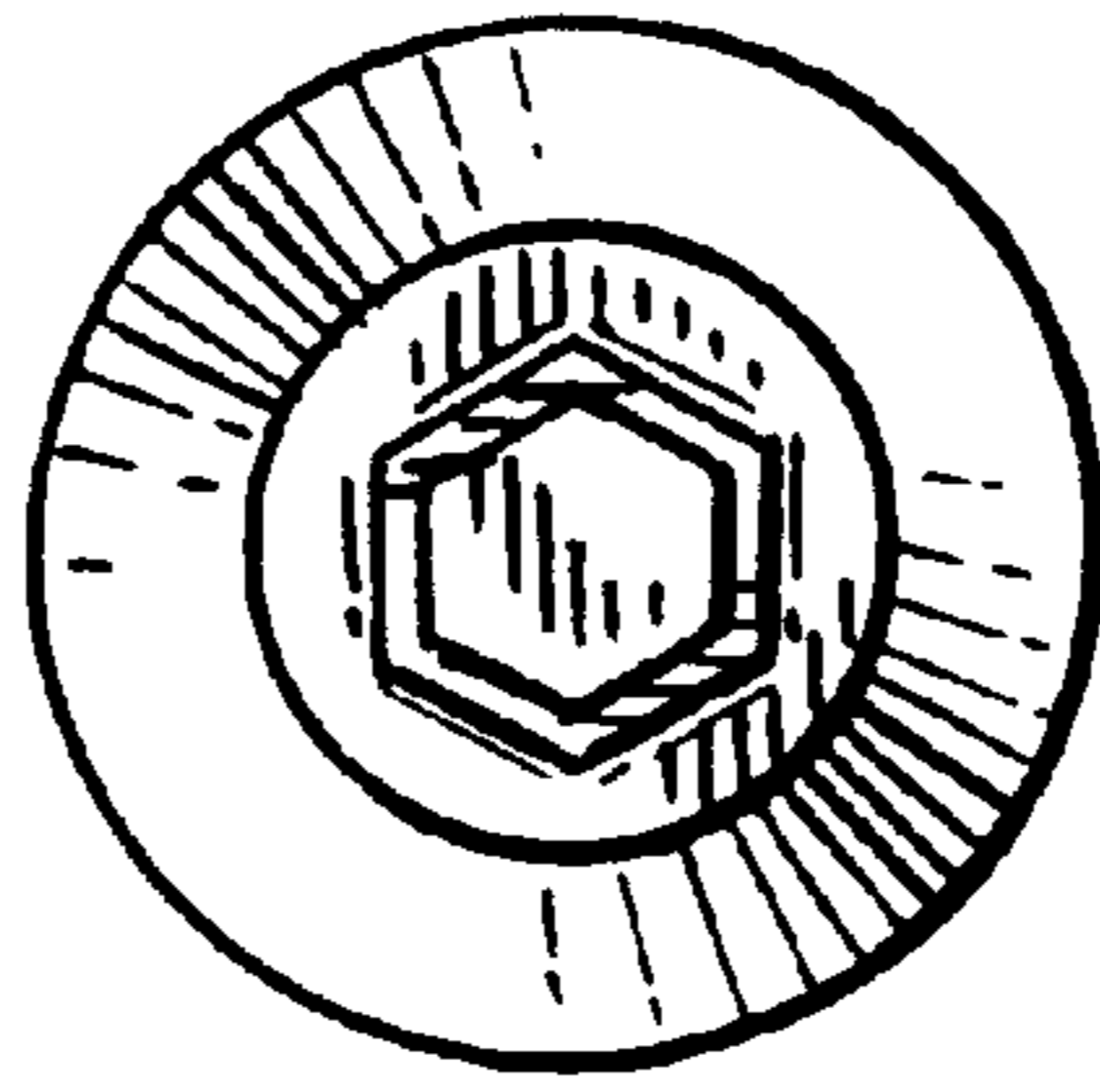


FIG. 4

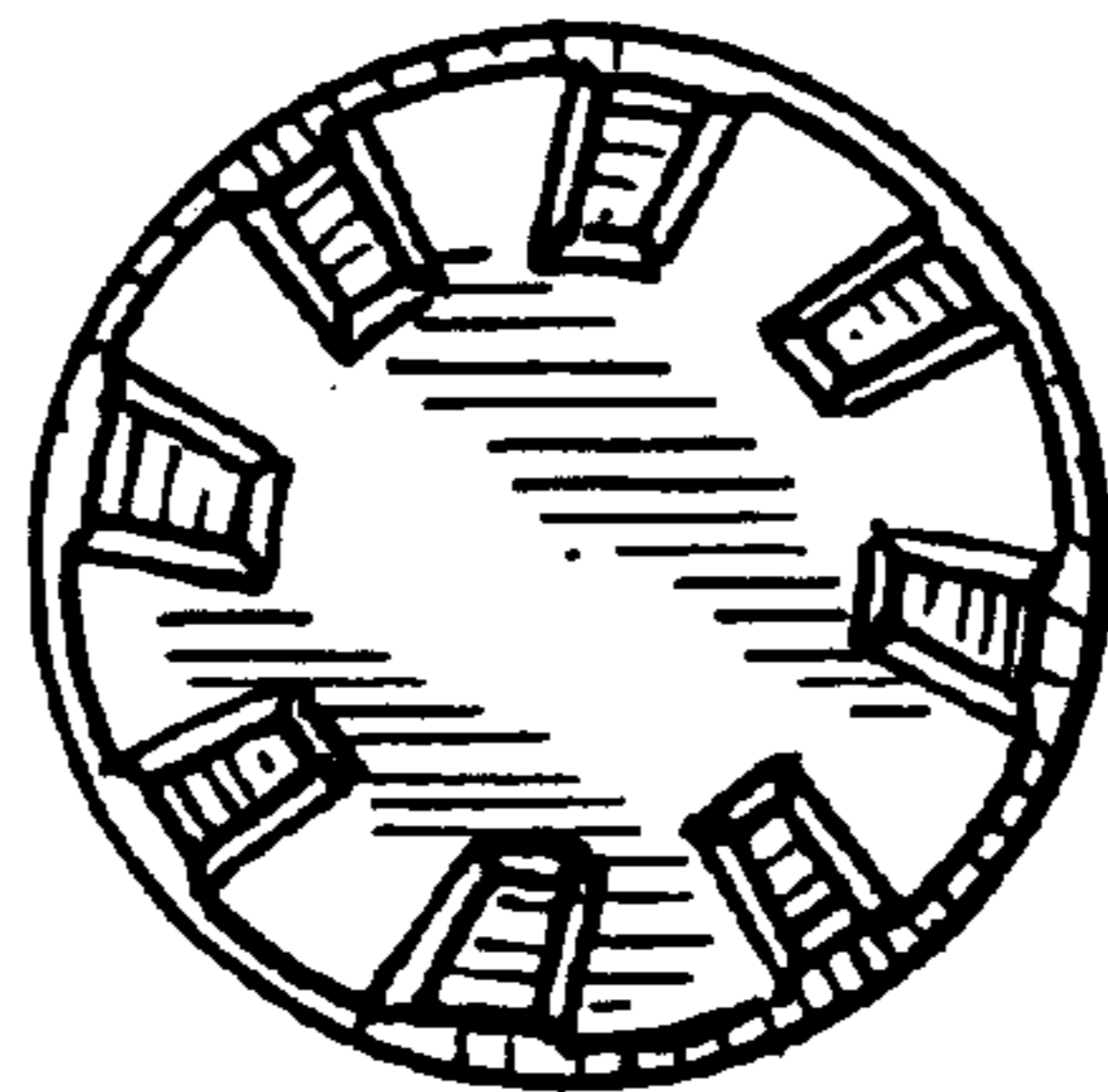
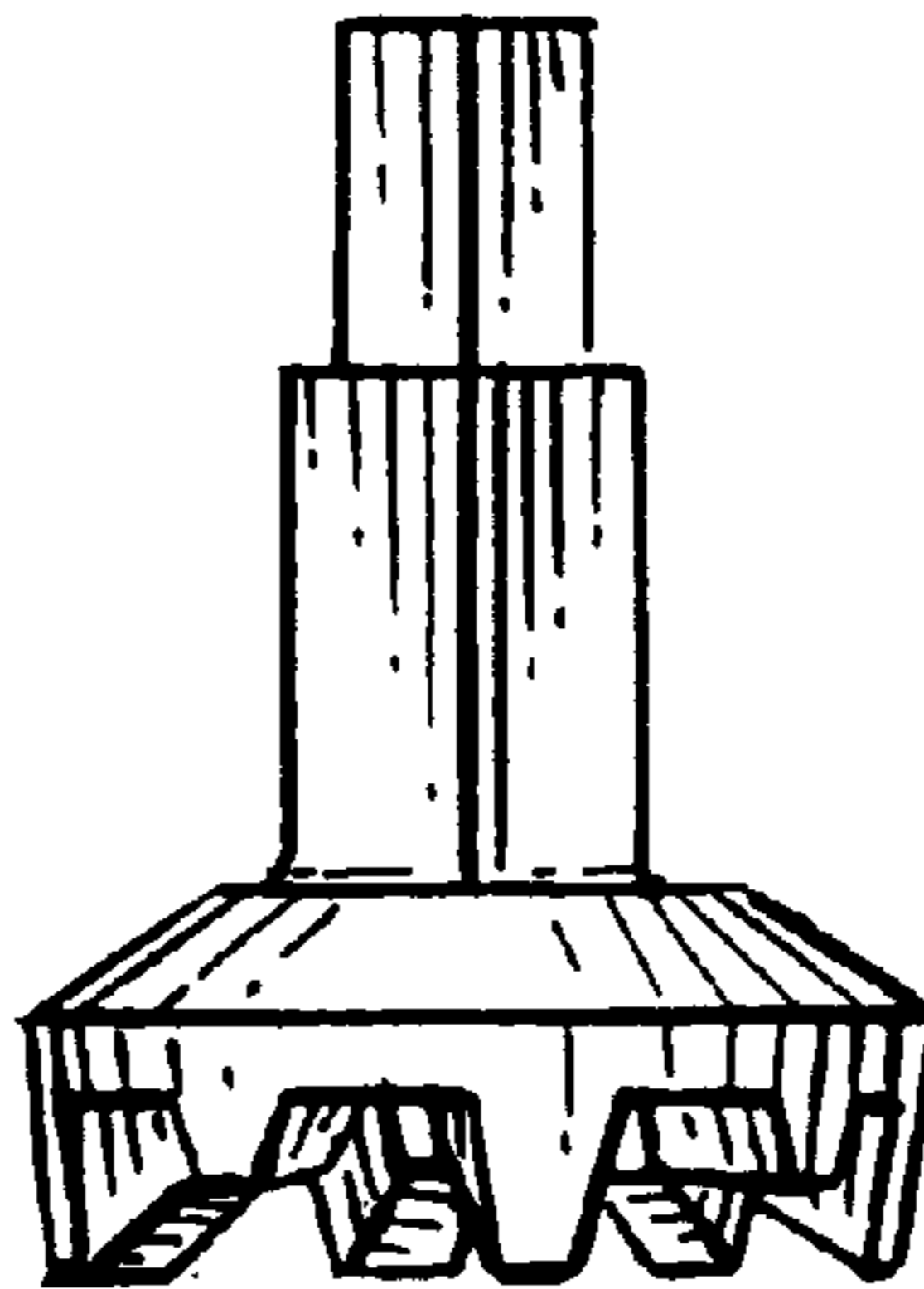


FIG. 5