



US00D434283S

**United States Patent** [19]  
**Dewey**

[11] **Patent Number: Des. 434,283**

[45] **Date of Patent: \*\* Nov. 28, 2000**

[54] **PLANT WATERING AND FEEDING DEVICE**

[76] Inventor: **Jon R. Dewey**, 310 Georgia Ave.,  
Etowah, Tenn. 37331

[\*\*] Term: **14 Years**

[21] Appl. No.: **29/113,393**

[22] Filed: **Nov. 3, 1999**

[51] **LOC (7) Cl. .... 08-01**

[52] **U.S. Cl. .... D8/1; D23/214**

[58] **Field of Search .... D8/1; D23/213,  
D23/214; 47/79, 48.5; 239/280, 281**

[56] **References Cited**

**U.S. PATENT DOCUMENTS**

D. 302,458	7/1989	Locklair	.....	D23/214
D. 383,883	9/1997	Langley	.....	D23/214
D. 399,712	10/1998	Villella	.....	D8/1
1,758,767	5/1930	Taggart	.....	D23/214
1,787,024	12/1930	Sjostrom	.....	D23/214
3,016,202	1/1962	Zelewski	.....	239/280
3,185,397	5/1965	Nelson	.....	D8/1

*Primary Examiner*—Robin V. Taylor  
*Attorney, Agent, or Firm*—Kenneth A. Roddy

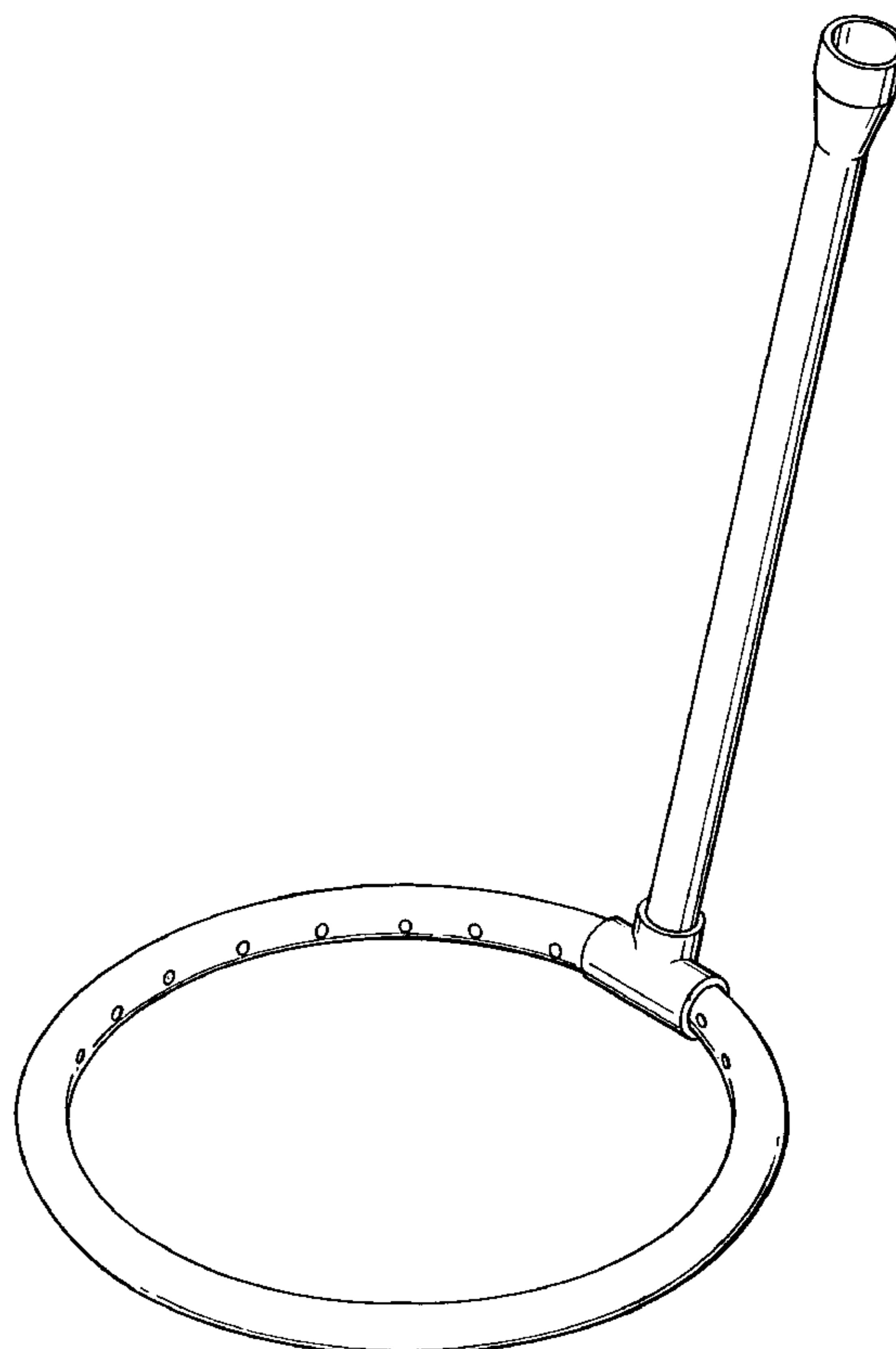
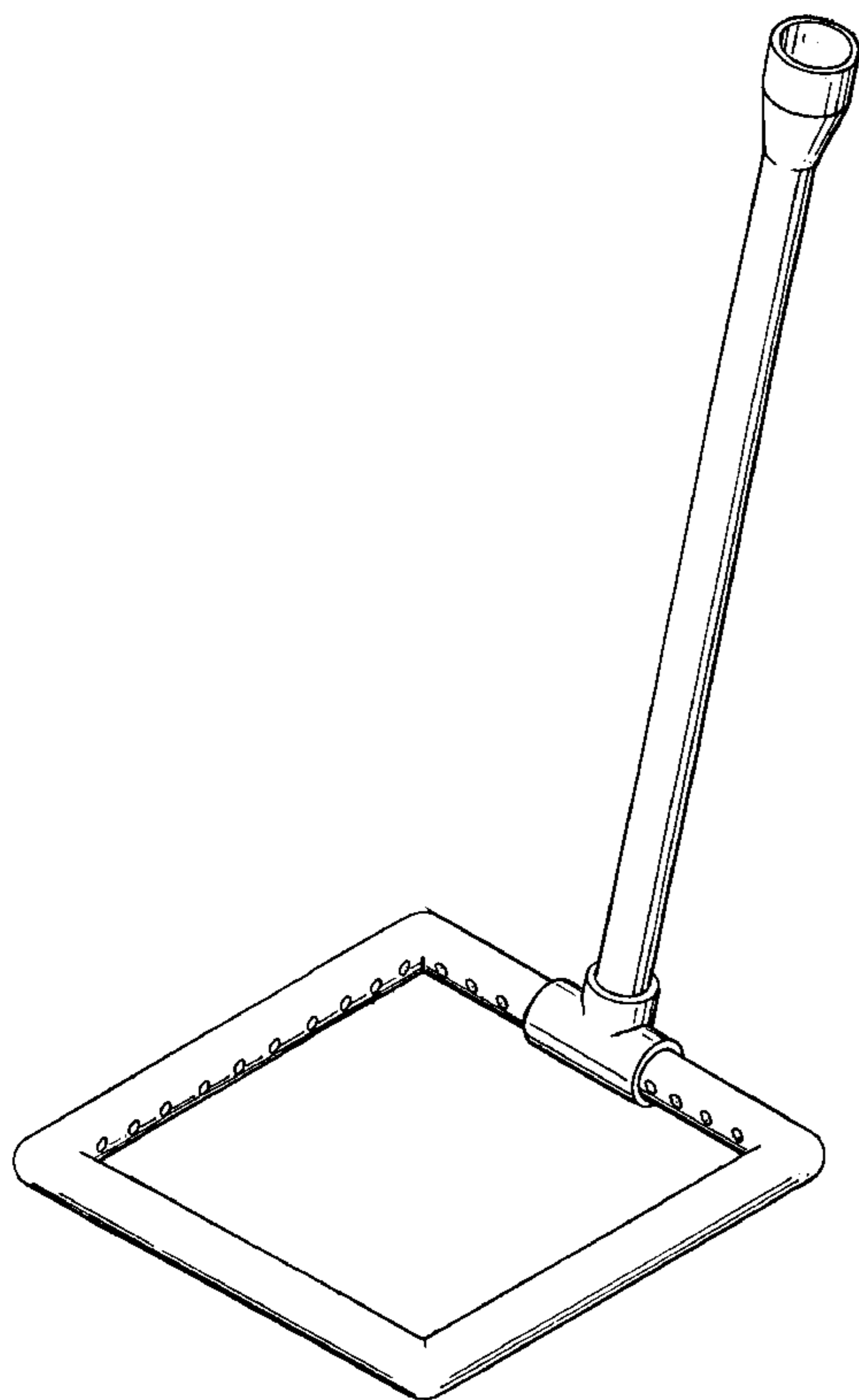
[57] **CLAIM**

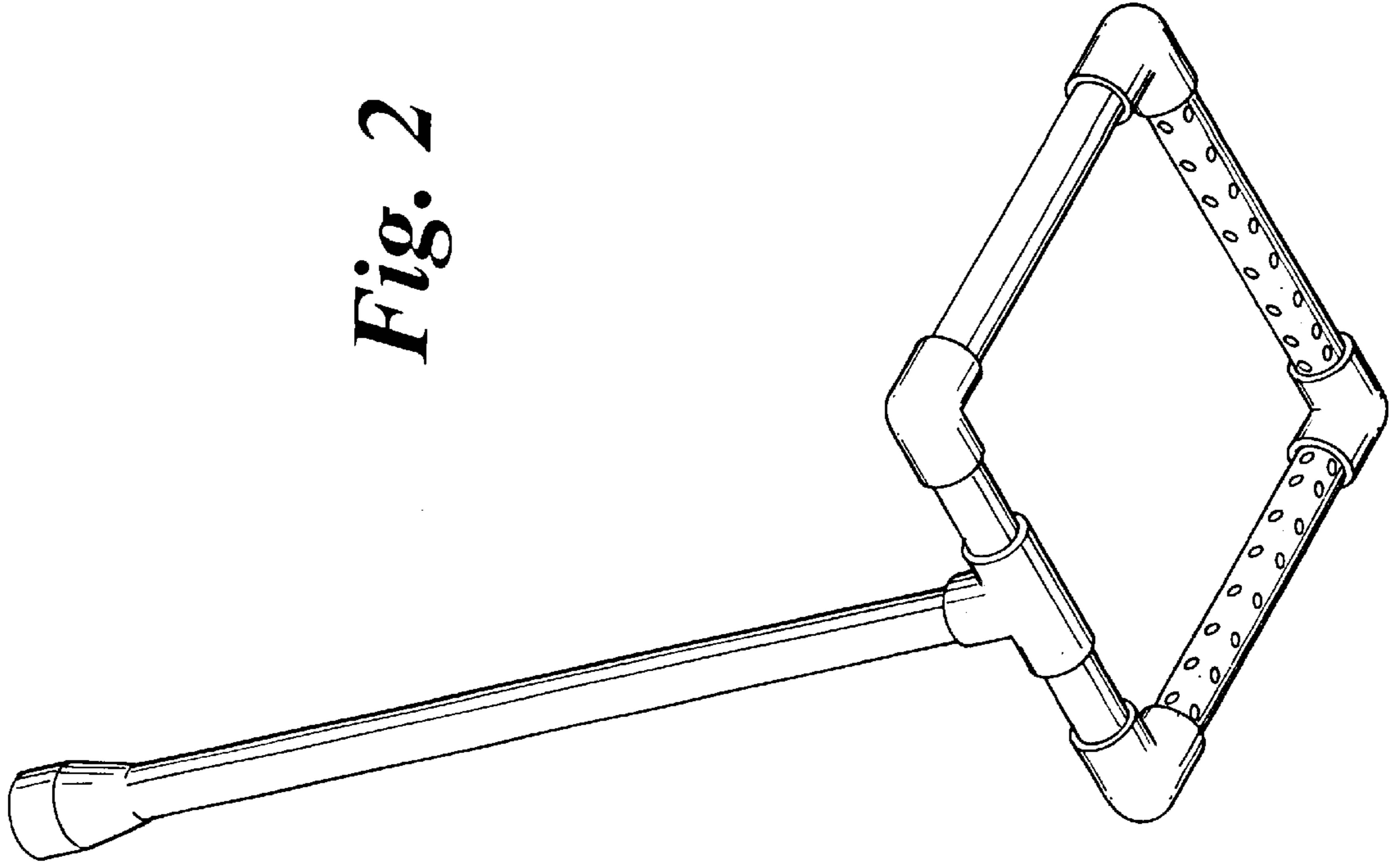
The ornamental design for a plant watering and feeding device, as shown and described.

**DESCRIPTION**

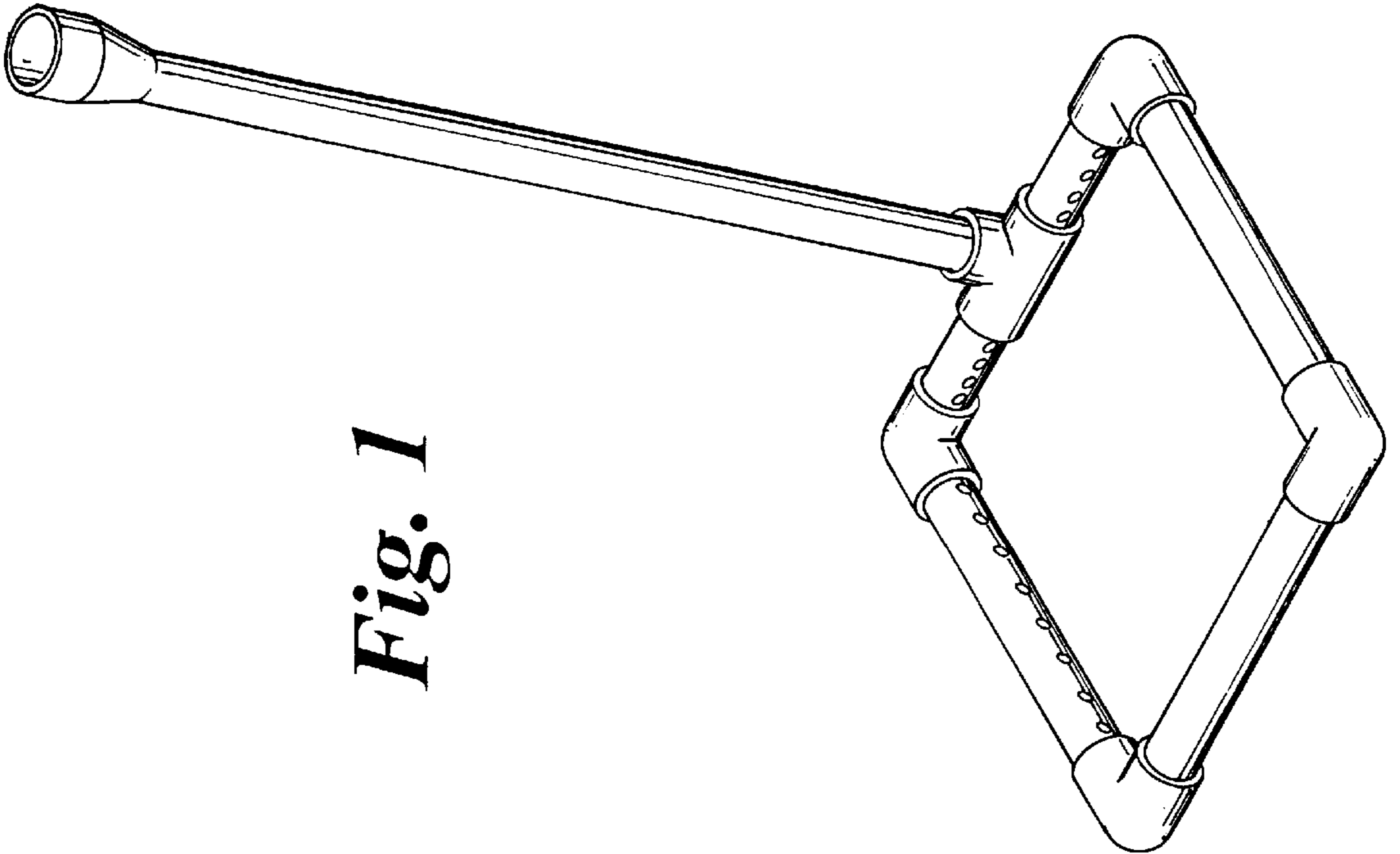
FIG. 1 is a perspective view of a first embodiment of a plant watering and feeding device showing my new design from the front, top and one side;  
FIG. 2 is perspective view thereof, shown from the rear, bottom and side opposite that shown in FIG. 1;  
FIG. 3 is a perspective view of a second embodiment of the plant watering and feeding device showing my new design from the front, top and one side;  
FIG. 4 is perspective view thereof, shown from the rear, bottom and side opposite that shown in FIG. 3;  
FIG. 5 is a perspective view of a third embodiment of the plant watering and feeding device showing my new design from the front, top and one side;  
FIG. 6 is perspective view thereof, shown from the rear, bottom and side opposite that shown in FIG. 5;  
FIG. 7 is a perspective view of a fourth embodiment of the plant watering and feeding device showing my new design from the front, top and one side; and,  
FIG. 8 is perspective view thereof, shown from the rear, bottom and side opposite that shown in FIG. 7.

**1 Claim, 4 Drawing Sheets**



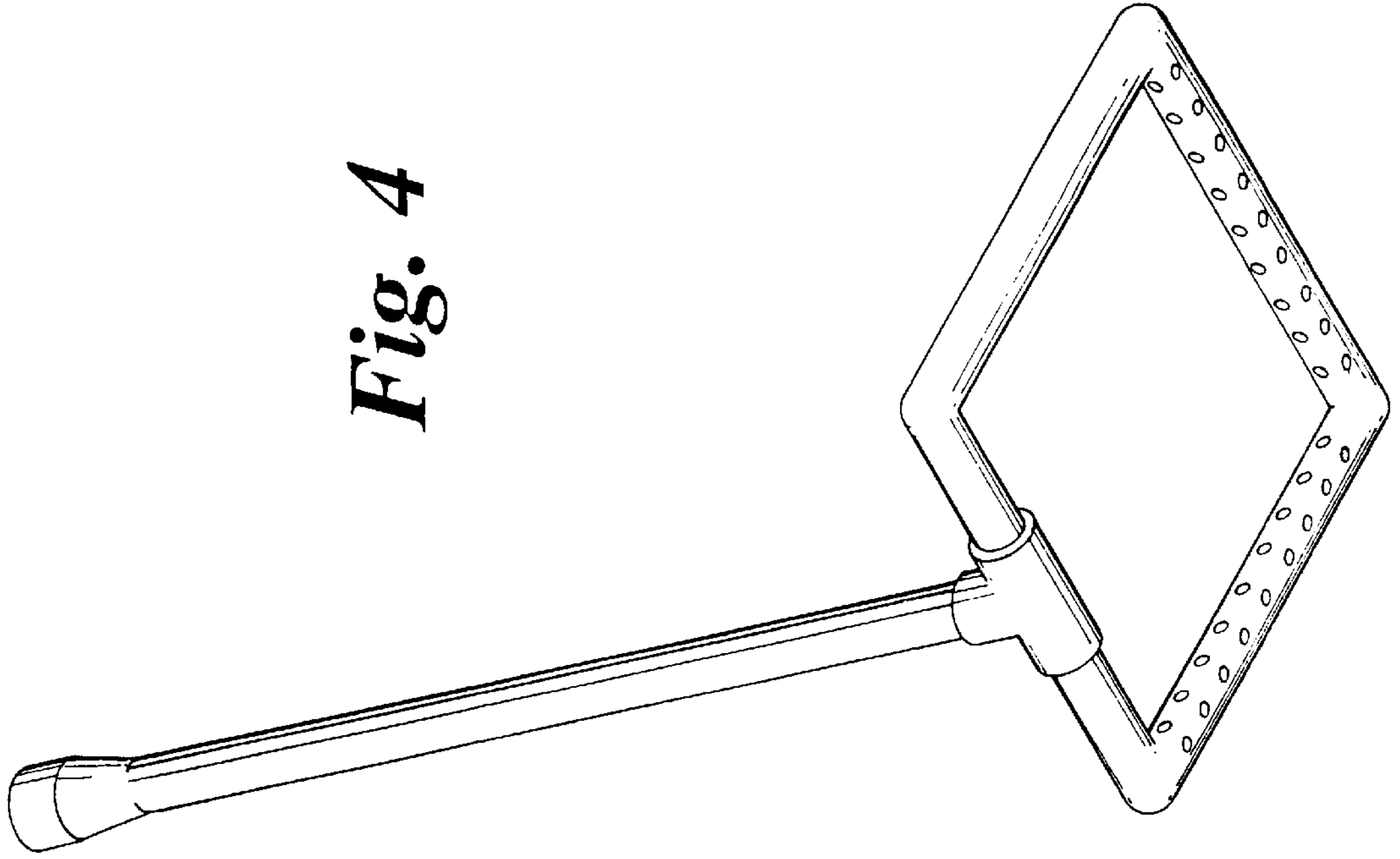


*Fig. 2*

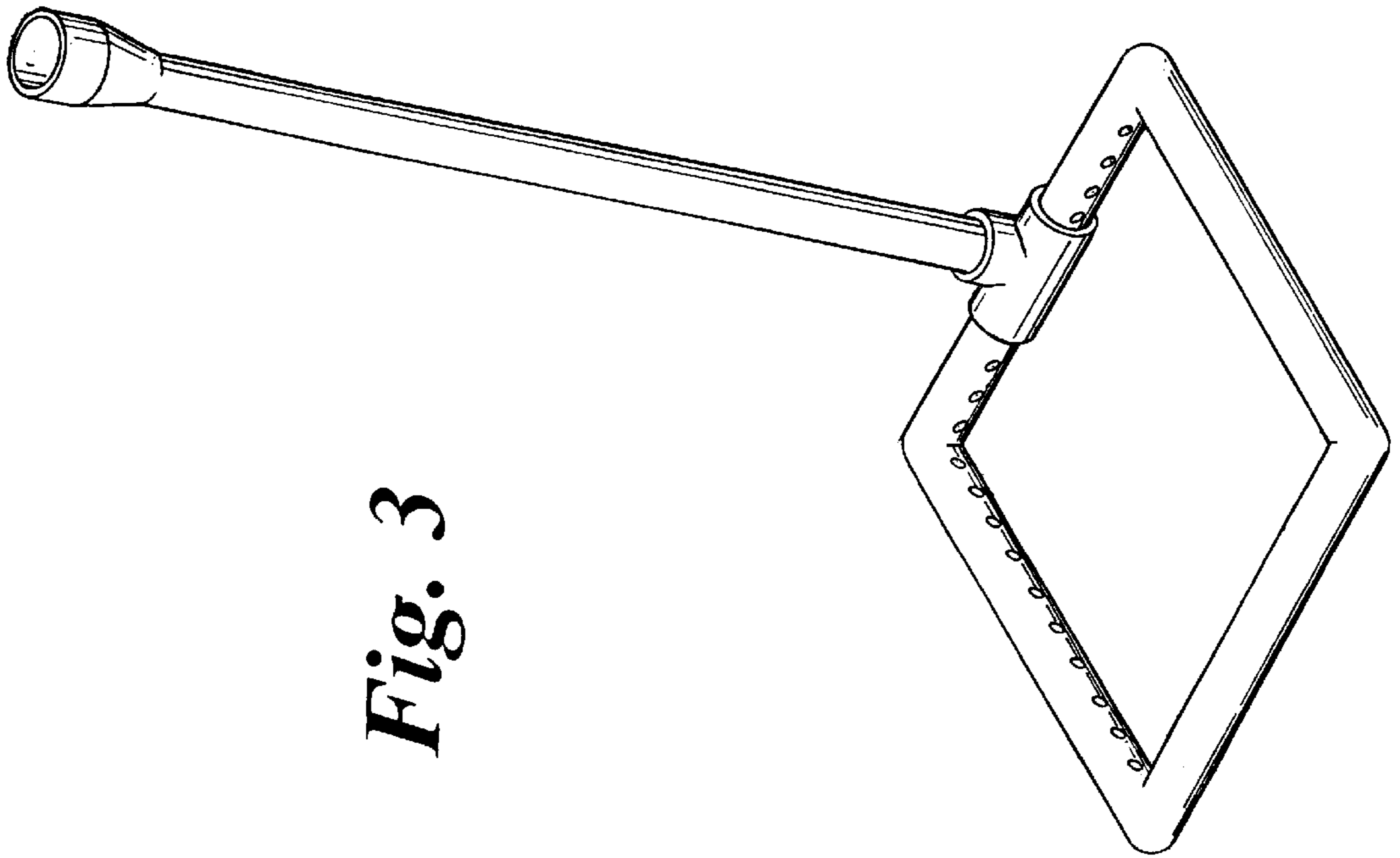


*Fig. 1*

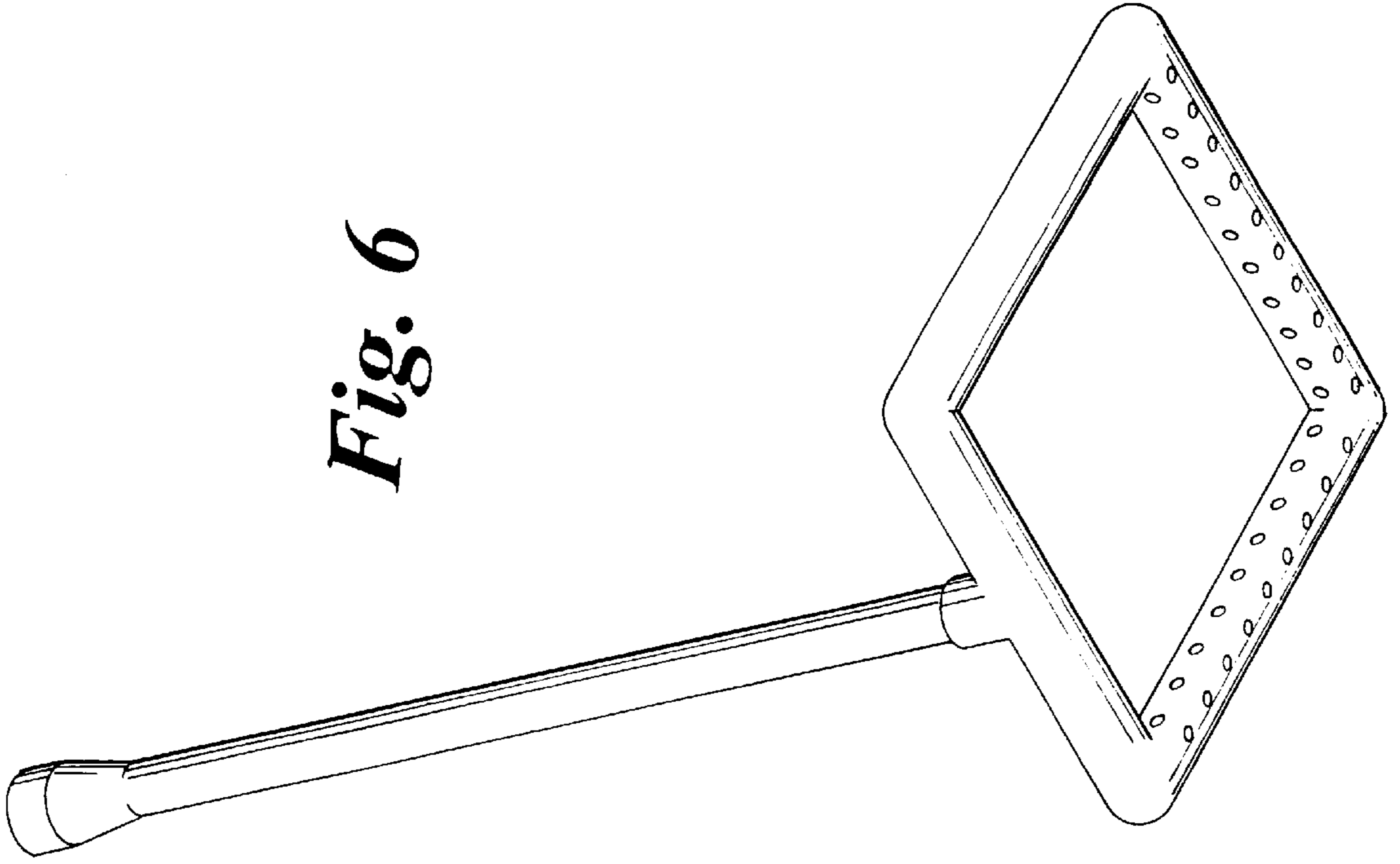
*Fig. 4*



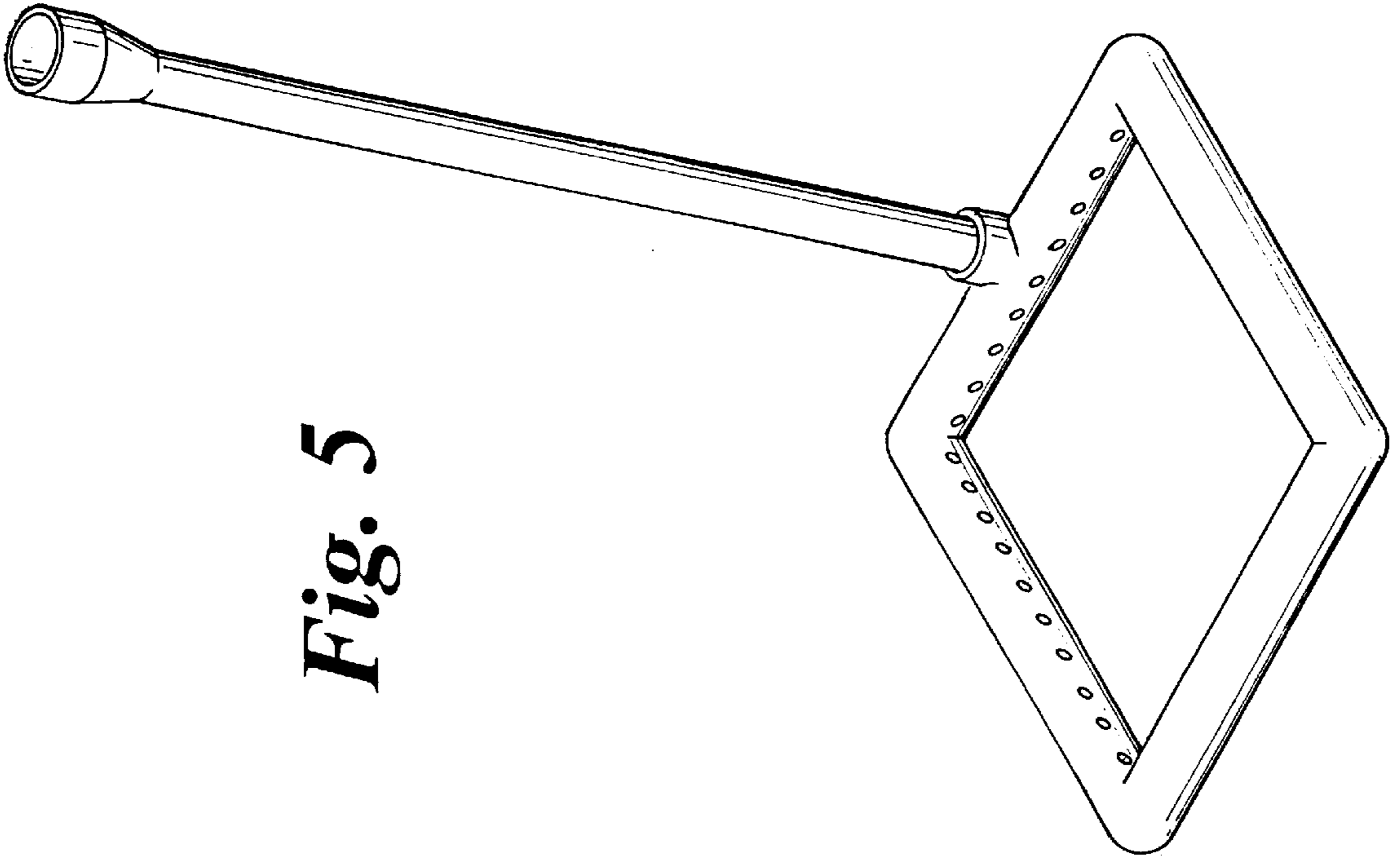
*Fig. 3*



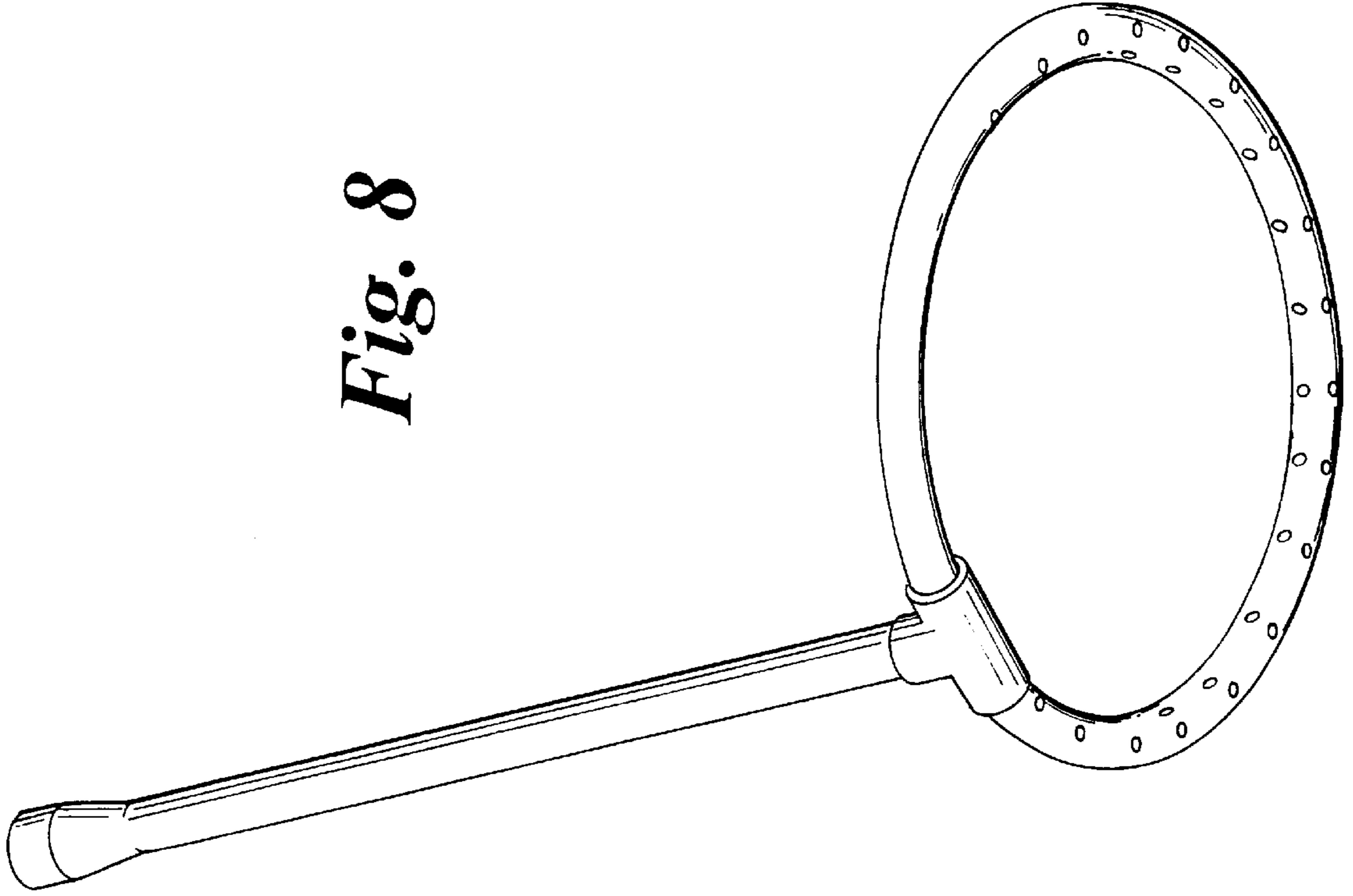
*Fig. 6*



*Fig. 5*



*Fig. 8*



*Fig. 7*

