



US00D434282S

United States Patent [19]
Daw

[11] **Patent Number: Des. 434,282**

[45] **Date of Patent: ** Nov. 28, 2000**

[54] **LUNCH CARRIER**

[75] Inventor: **Sean Daw**, Chicago, Ill.

[73] Assignee: **Outer Circle Products, Ltd.**, Chicago, Ill.

[**] Term: **14 Years**

[21] Appl. No.: **29/117,028**

[22] Filed: **Jan. 14, 2000**

[51] **LOC (7) Cl.** **03-01**

[52] **U.S. Cl.** **D7/709**

[58] **Field of Search** D7/709, 607; D3/276,
D3/289, 284, 232, 283, 295, 301, 900;
190/100, 109, 115, 900; 383/109, 110,
113

[56] **References Cited**

PUBLICATIONS

Advertisement for **ARTIC ZONE®** Crushproof Lunch Carrier, © 1998, Outer Circle Products, Ltd.

Advertisement of **ARTIC ZONE®** Icepack Lunchbox, © 1998, Outer Circle Products, Ltd.

Primary Examiner—Terry A. Wallace
Attorney, Agent, or Firm—McDonnell Boehnen Hulbert & Berghoff

[57] **CLAIM**

The ornamental design for a lunch carrier, as shown and described.

DESCRIPTION

FIG. 1 is a perspective view of a lunch carrier of the present design;

FIG. 2 is a front elevational view thereof;

FIG. 3 is a left side elevational view thereof;

FIG. 4 is a right side elevational view thereof;

FIG. 5 is a top plan view thereof;

FIG. 6 is a bottom plan view thereof; and,

FIG. 7 is a rear elevational view thereof.

The broken line portions of the drawings are for illustrative purposes only and form no part of the claimed design.

1 Claim, 3 Drawing Sheets

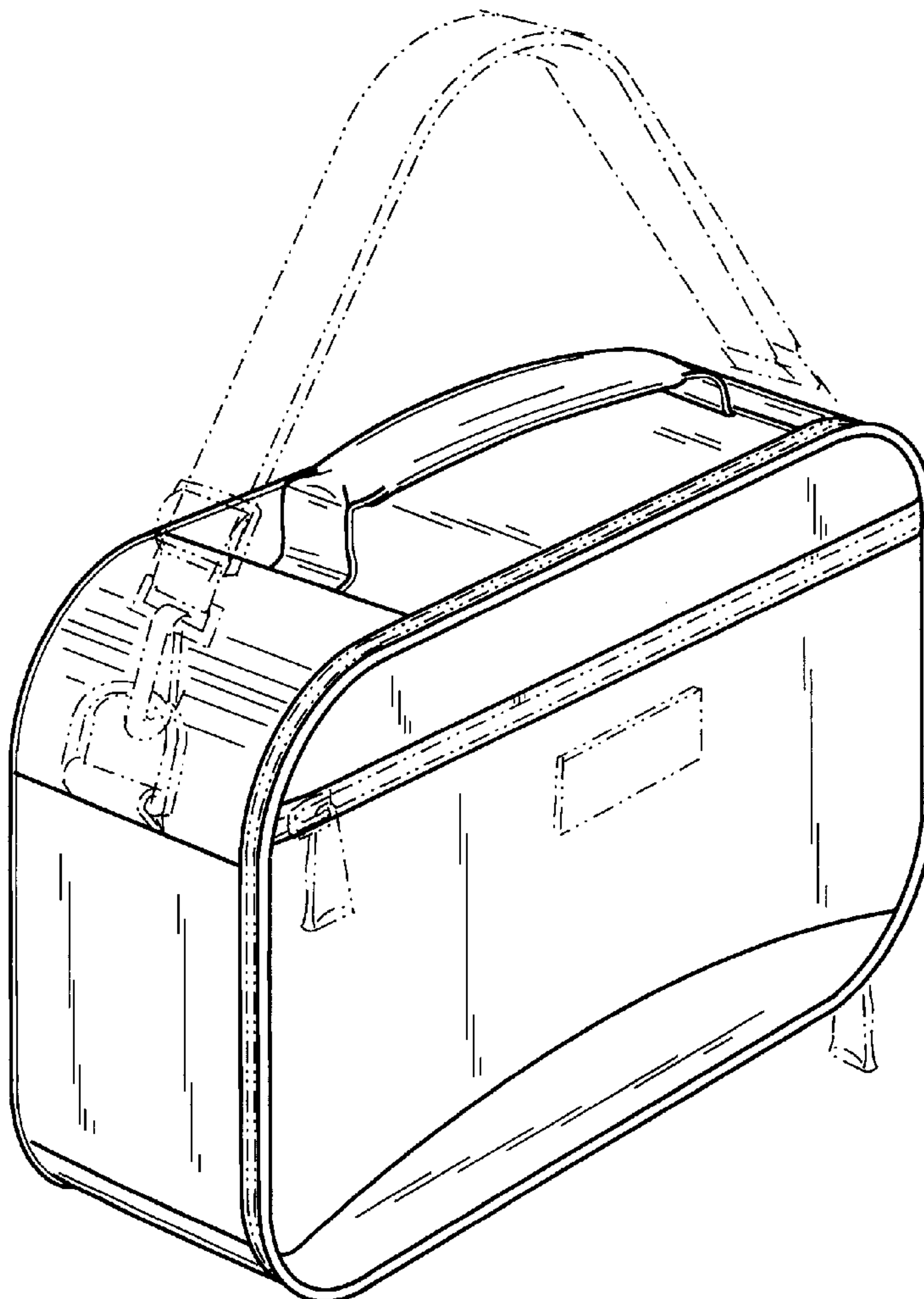


FIG. 1

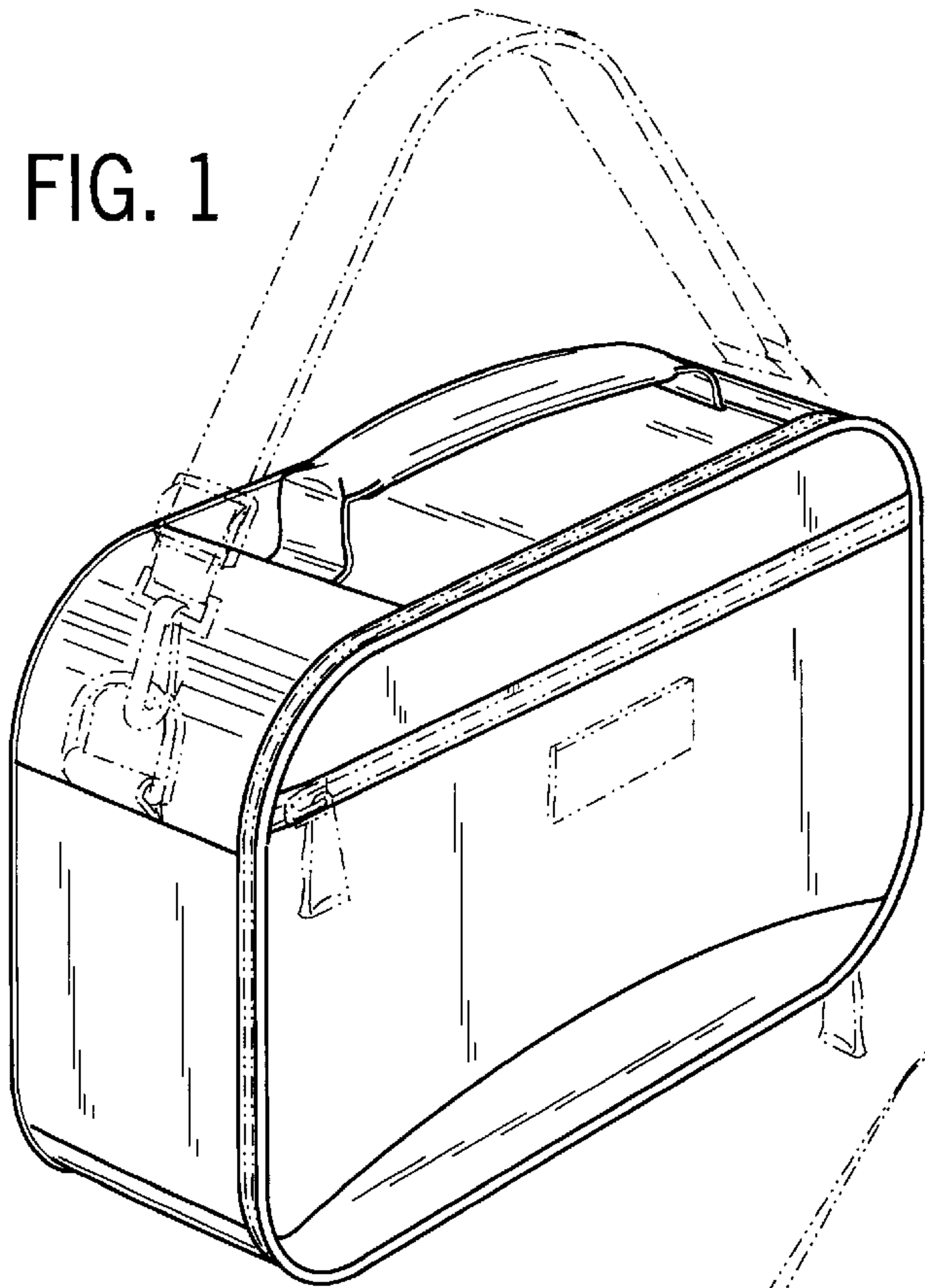


FIG. 2

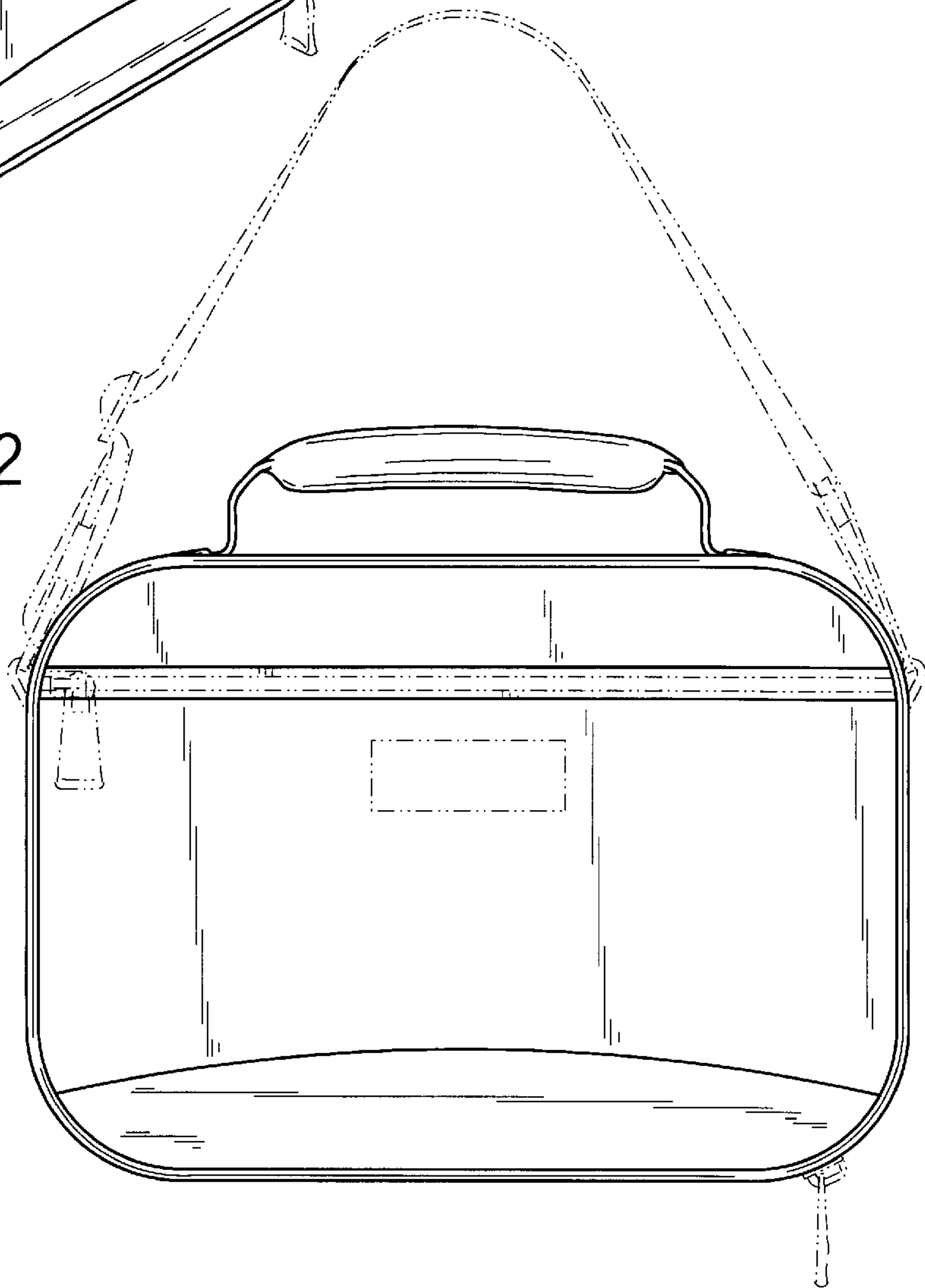


FIG. 3

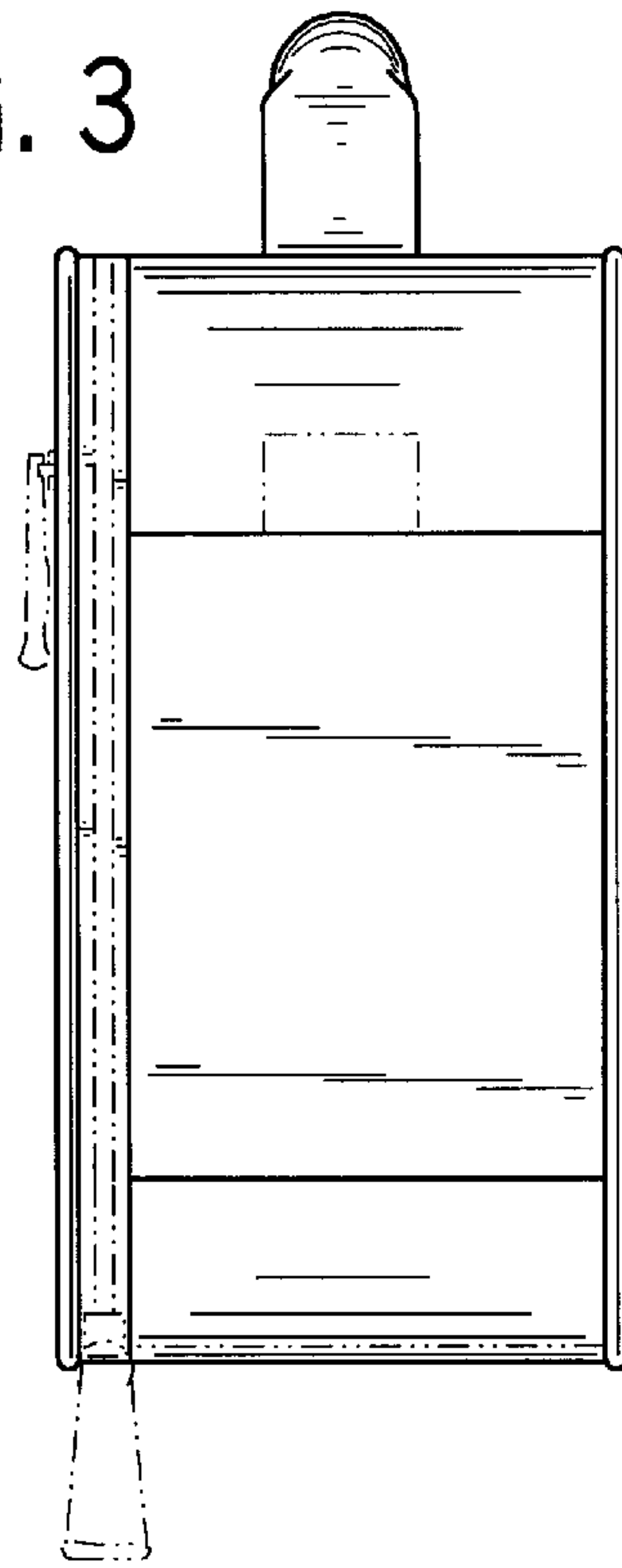


FIG. 4

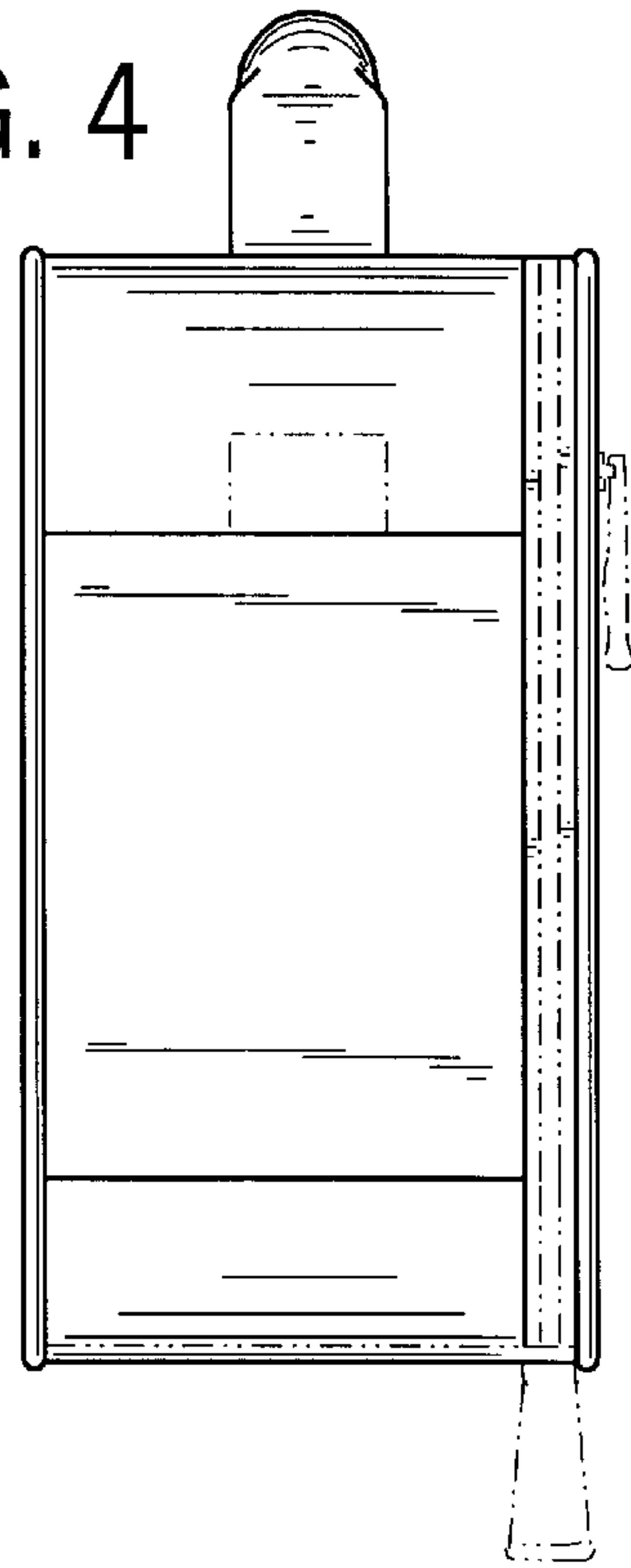


FIG. 5

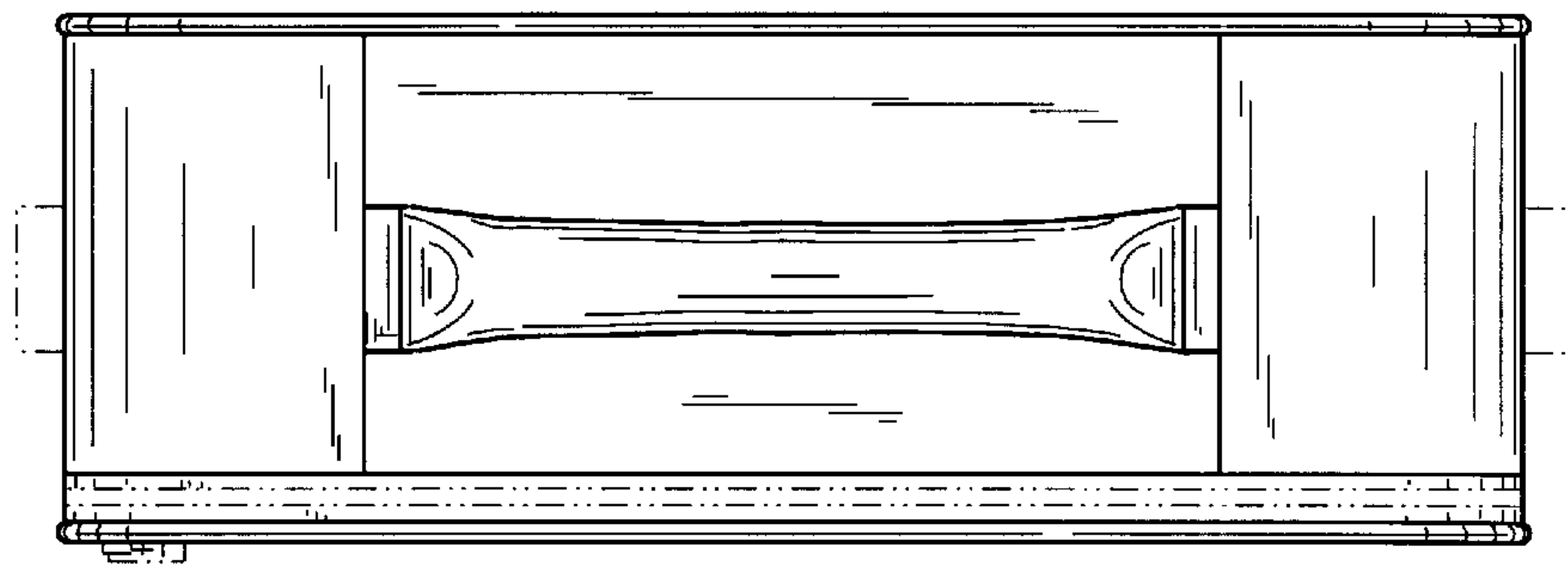


FIG. 6

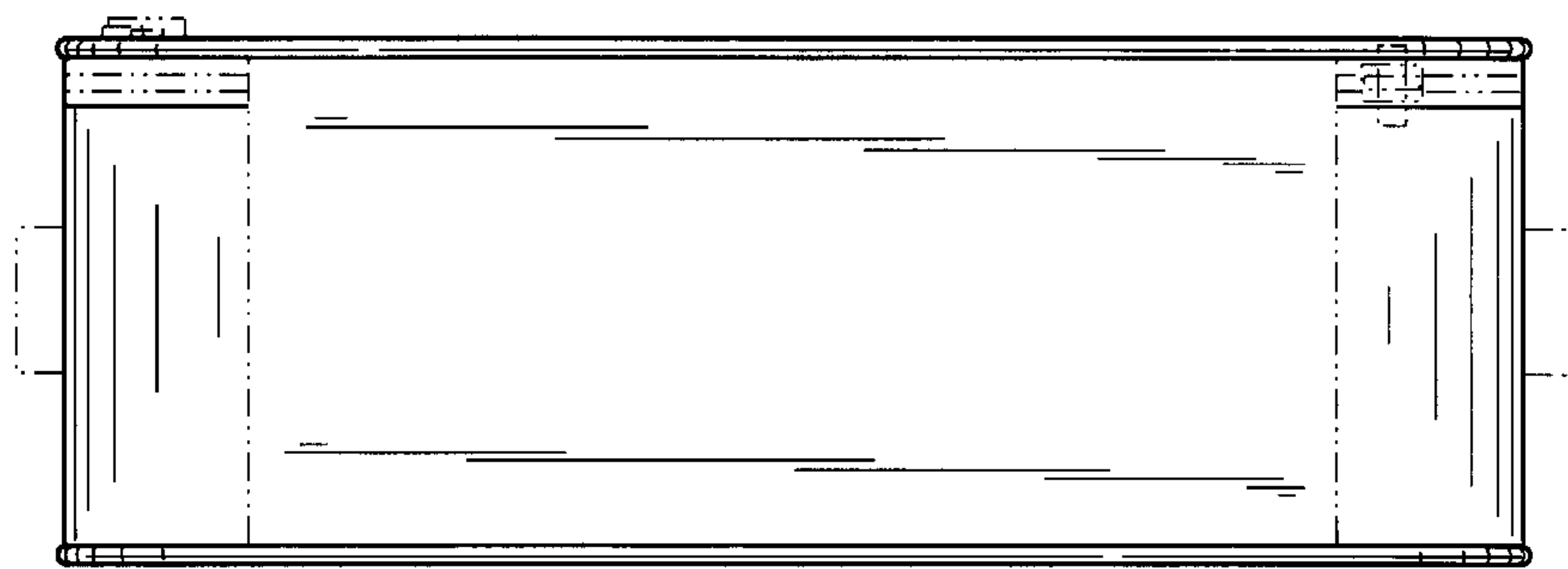


FIG. 7

