



US00D434278S

# United States Patent [19] Morales Segura

[11] Patent Number: **Des. 434,278**  
[45] Date of Patent: **\*\* Nov. 28, 2000**

[54] **THERMAL CONTAINER**  
[75] Inventor: **Hernando Morales Segura**, Edo Aragua, Venezuela  
[73] Assignee: **Polimeros Industriales C.A.**, Edo Aragua, Venezuela  
[\*\*] Term: **14 Years**  
[21] Appl. No.: **29/115,705**  
[22] Filed: **Dec. 21, 1999**  
[51] **LOC (7) Cl.** ..... **07-01**  
[52] **U.S. Cl.** ..... **D7/608**  
[58] **Field of Search** ..... D7/300, 312, 320, D7/321, 503, 511, 608, 709, 710; D3/232, 276, 287; 62/457.1, 457.7; 215/12.1, 12.2, 13.1

D. 372,172 7/1996 Morales Segura .  
D. 373,055 8/1996 Morales Segura .  
D. 376,075 12/1996 Morales Segura .  
D. 406,495 3/1999 Moran .  
5,221,016 6/1993 Karpal .

*Primary Examiner*—Terry A. Wallace  
*Attorney, Agent, or Firm*—Dennison, Scheiner, Schultz & Wakeman

### [57] CLAIM

The ornamental design for a thermal container, as shown and described.

### DESCRIPTION

FIG. 1 is a front perspective view of a thermal container showing my new design;  
FIG. 2 is a left side elevation view thereof, the right side being a mirror image thereof;  
FIG. 3 is a front elevation view thereof;  
FIG. 4 is a top plan view thereof;  
FIG. 5 is a bottom plan view thereof; and,  
FIG. 6 is a cross-sectional view taken along line 6—6 of FIG. 4.

The strap is removed in FIGS. 2–6 for ease of illustration.

[56] **References Cited**  
**U.S. PATENT DOCUMENTS**  
D. 262,856 2/1982 MacTavish et al. .... D7/608  
D. 268,469 4/1983 Ruxton et al. .... D7/608 X  
D. 281,567 12/1985 Zimmermann .  
D. 370,153 5/1996 Chaney et al. .... D7/608 X

**1 Claim, 6 Drawing Sheets**

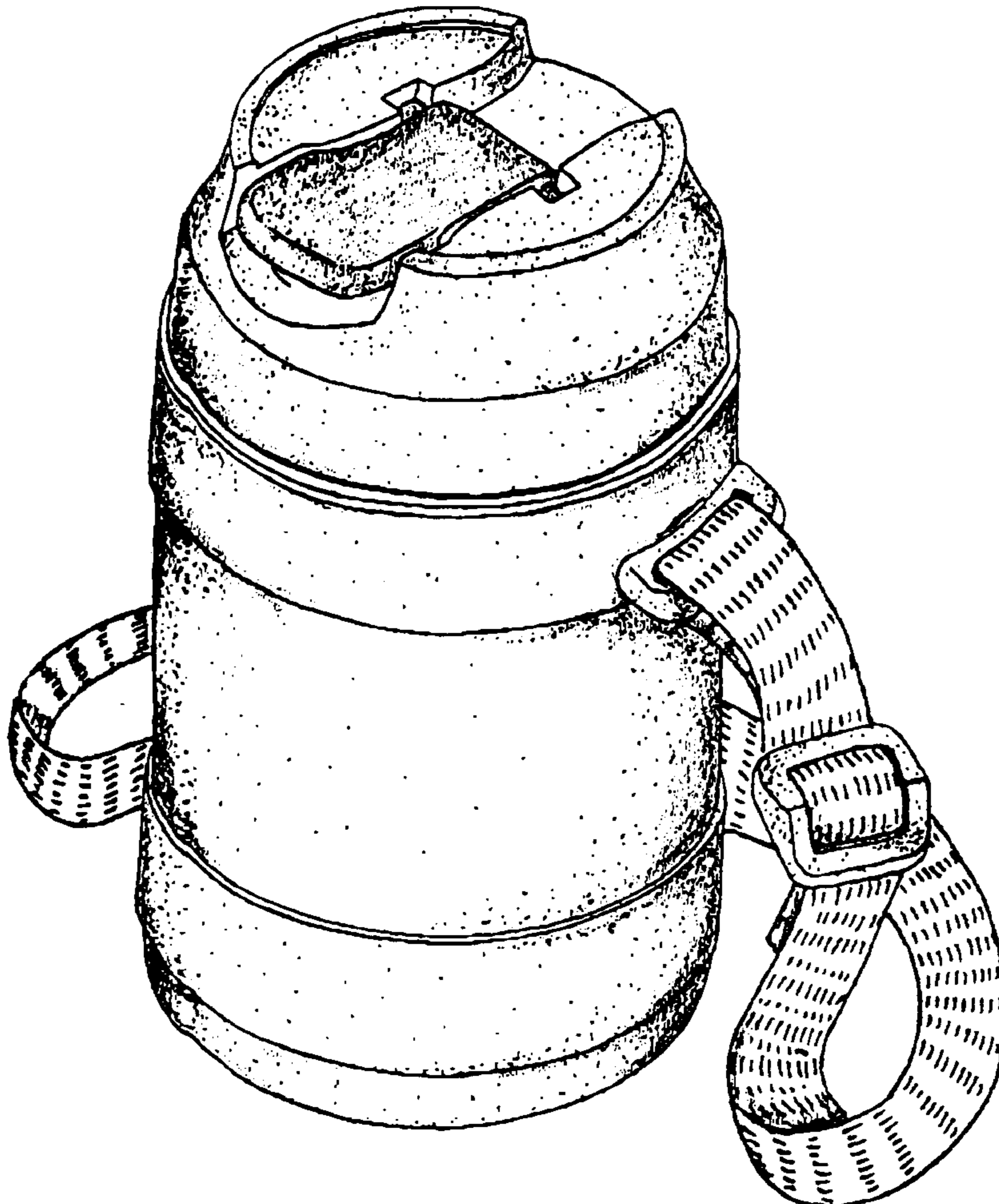


FIG. 1

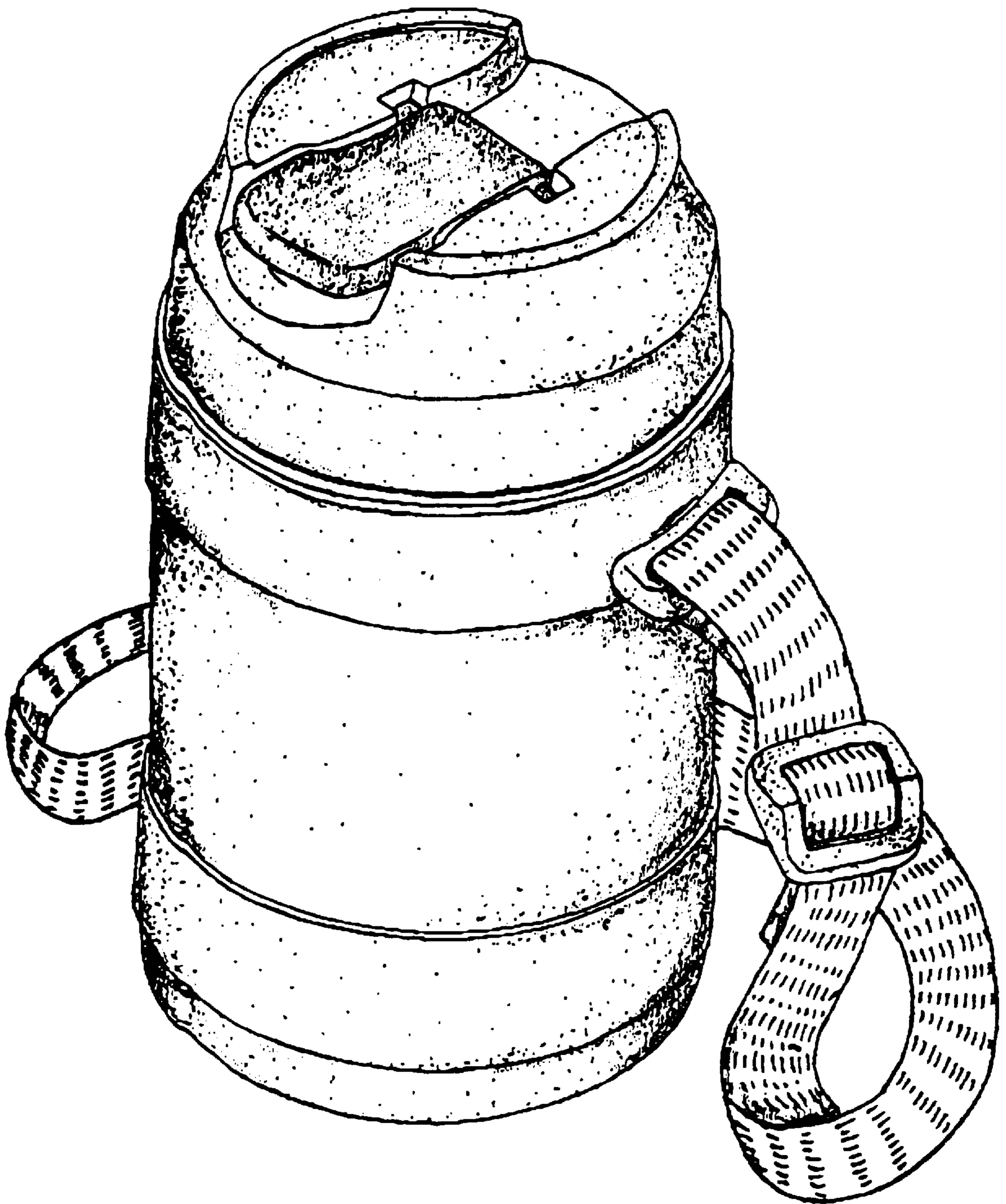


FIG. 2

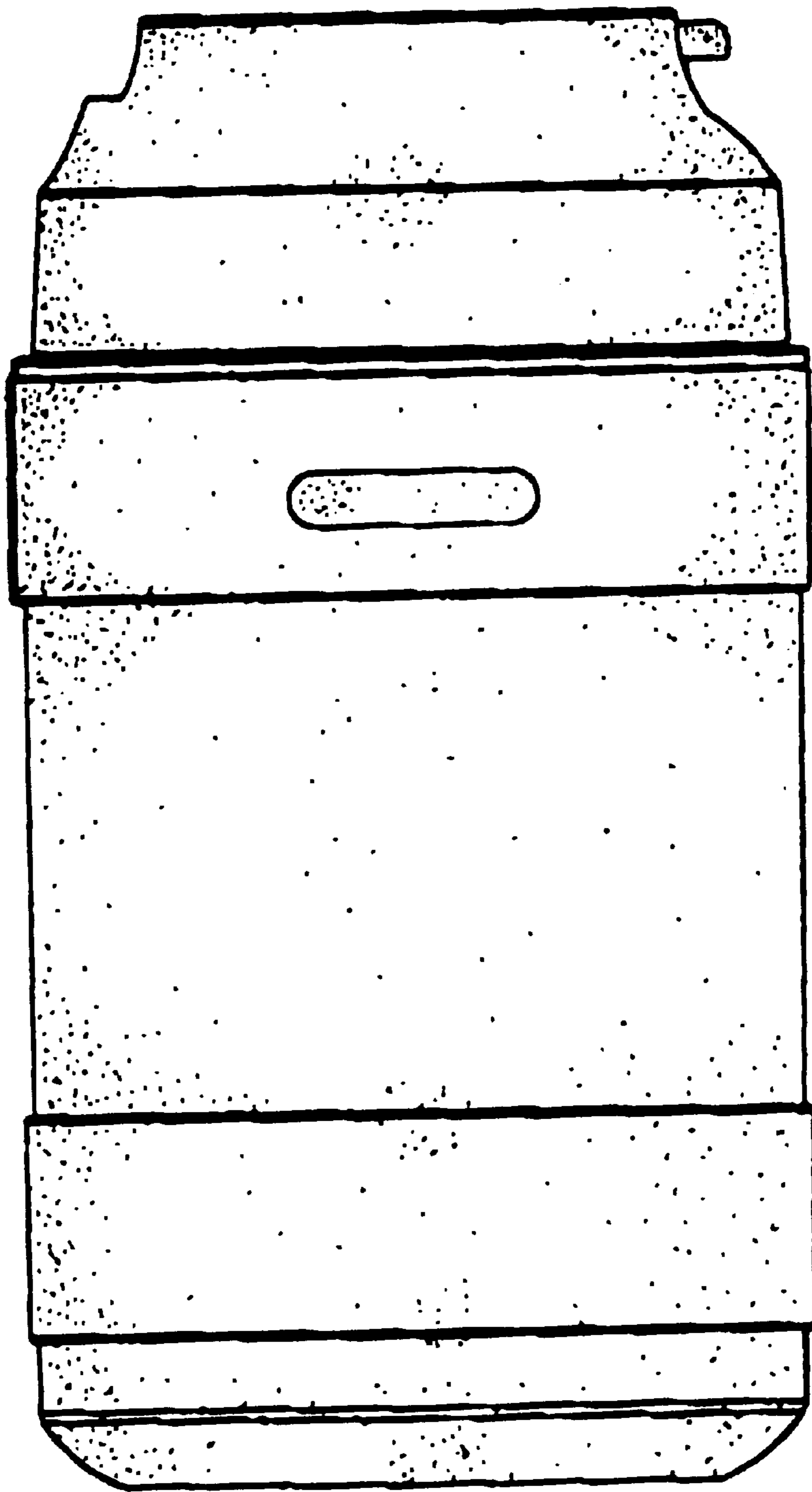


FIG. 3

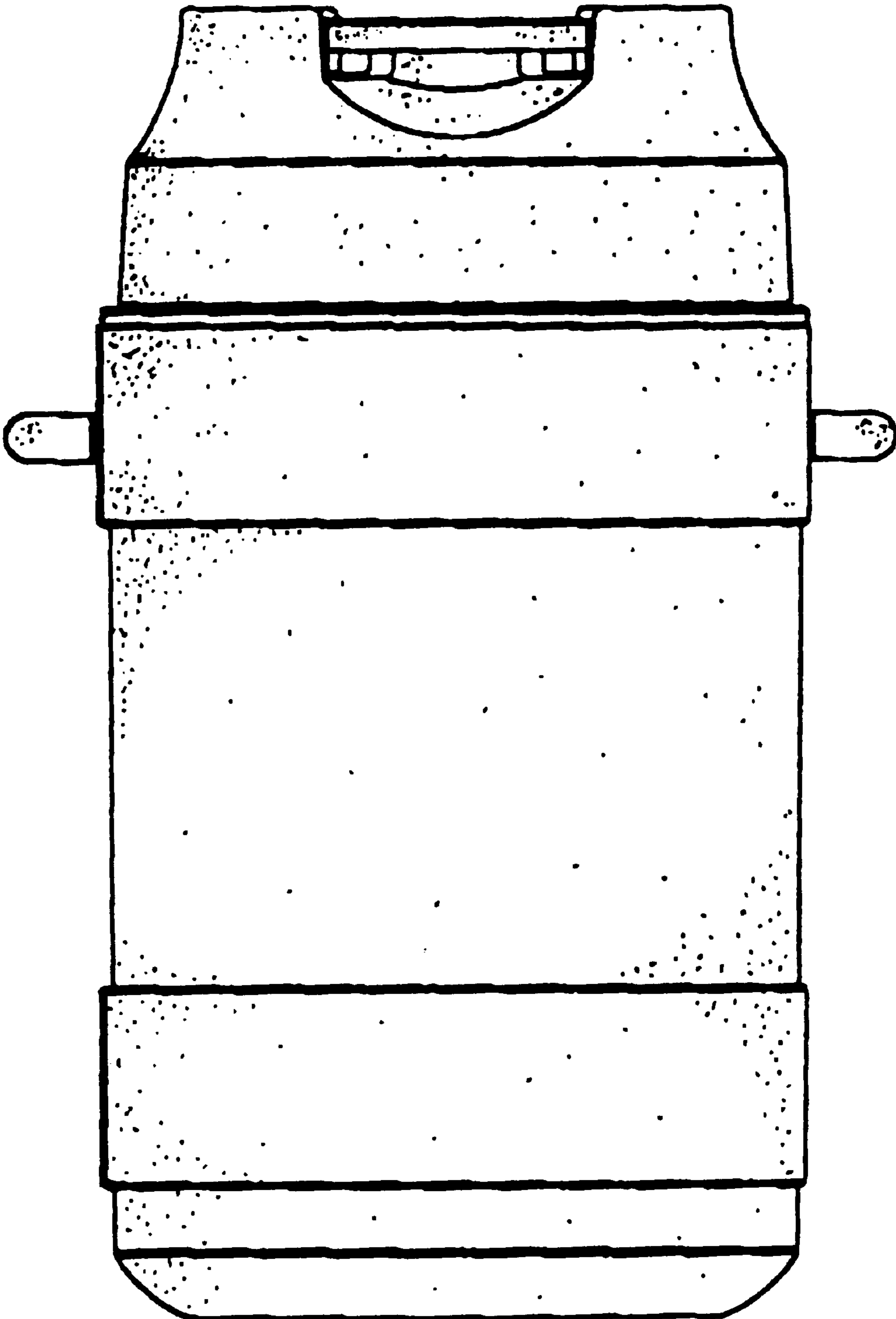




FIG. 4

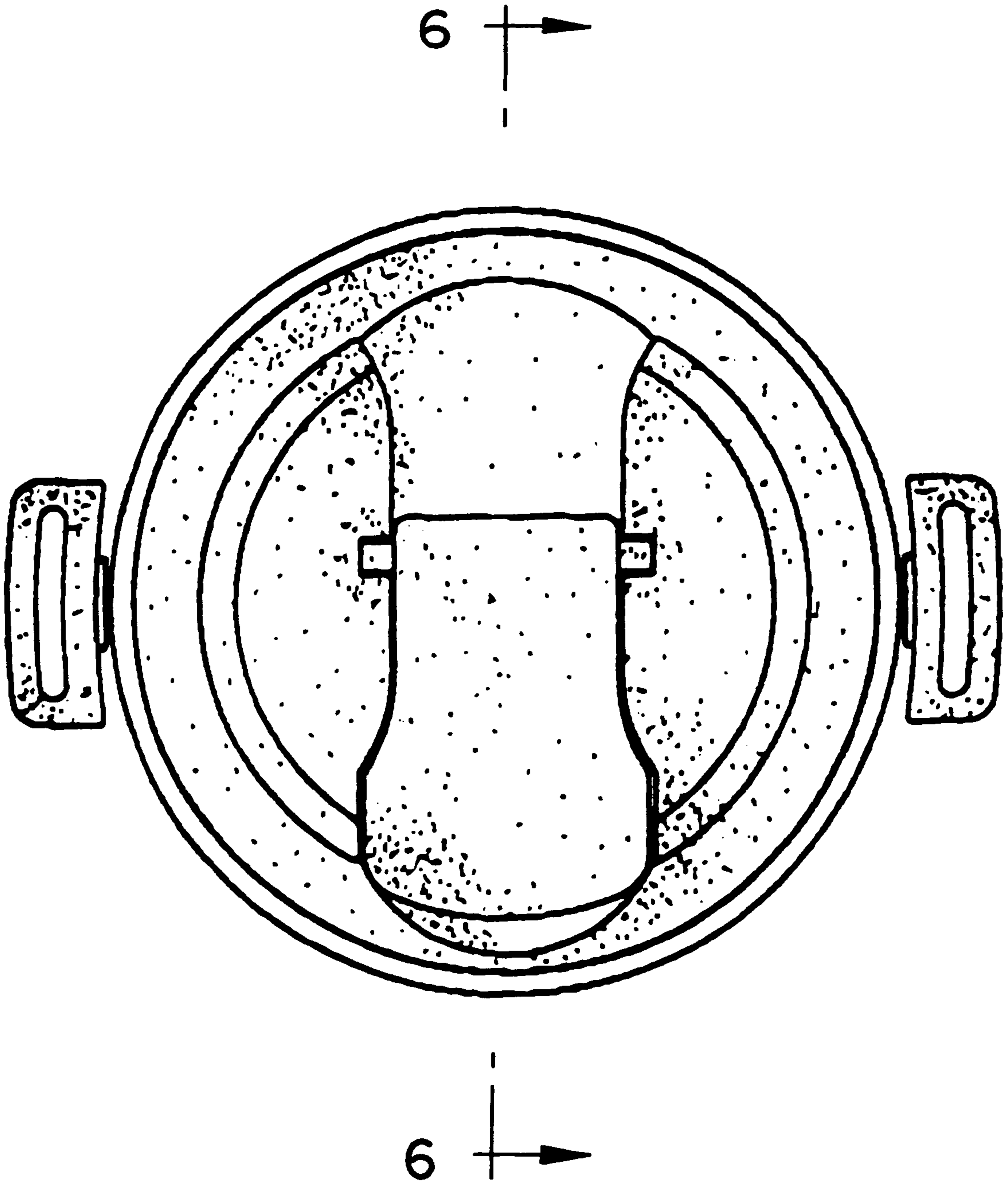
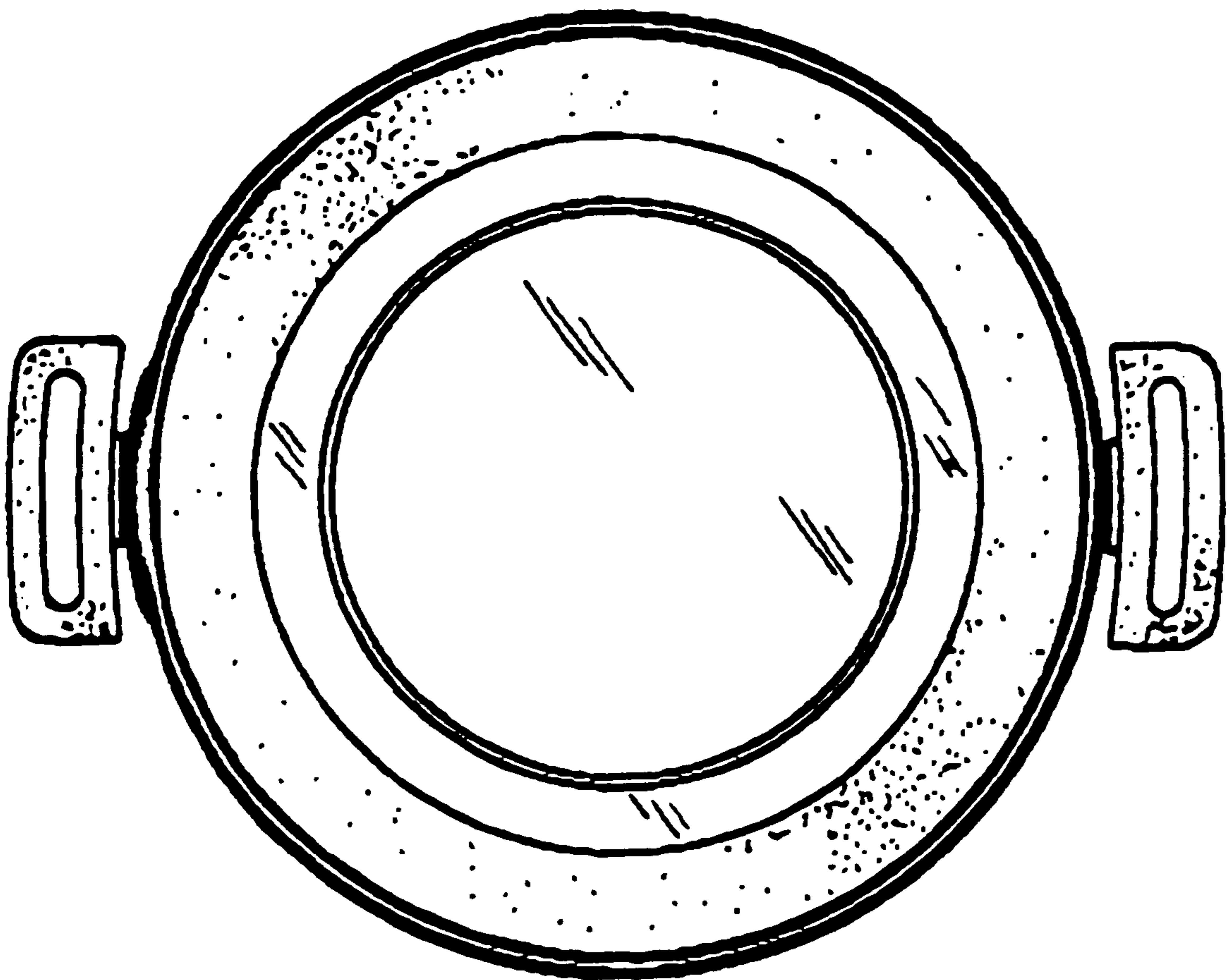


FIG. 5



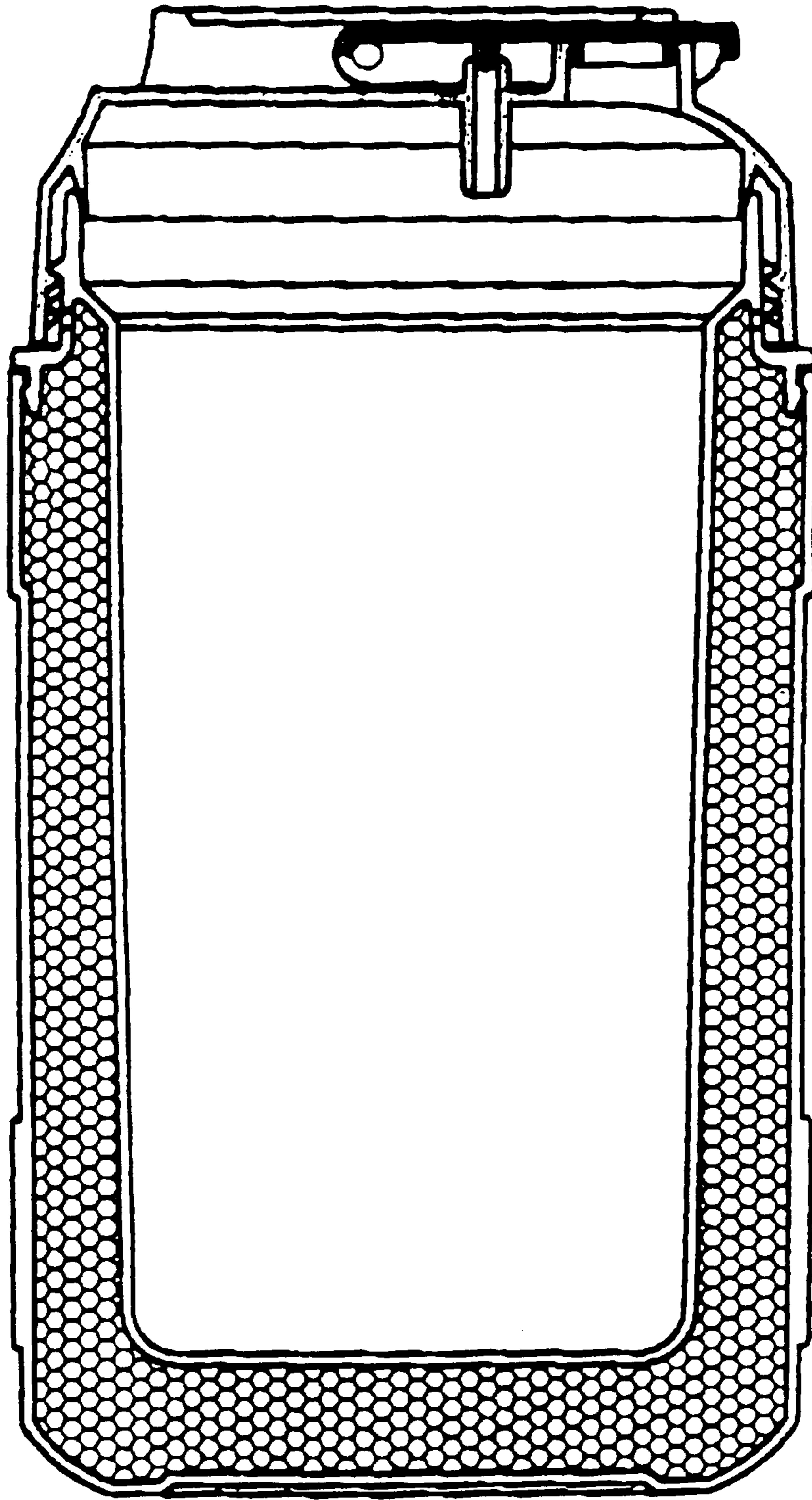


FIG. 6