



US00D434271S

# United States Patent [19]

[11] Patent Number: Des. 434,271

Naft et al.

[45] Date of Patent: \*\* Nov. 28, 2000

[54] **FOOD PROCESSOR**

[75] Inventors: **Stuart Naft**, Fairfield; **David Kaiser**, Plainville, both of Conn.; **Eric Price**, Medford, Md.

[73] Assignee: **HP Intellectual Corp.**, Wilmington, Del.

[\*\*] Term: **14 Years**

[21] Appl. No.: **29/117,029**

[22] Filed: **Jan. 14, 2000**

[51] **LOC (7) Cl.** ..... **31-00**

[52] **U.S. Cl.** ..... **D7/384**

[58] **Field of Search** ..... D7/376-386; 366/64, 366/68, 197, 199, 219, 241; 241/30, 33, 101.01, 168, 185.5, 278.2, 296, 301

- D. 325,322 4/1992 Maass .
- D. 335,065 4/1993 Gildersleeve .
- D. 337,917 8/1993 Barrault .
- D. 338,134 8/1993 Hoffman .
- D. 338,803 8/1993 Littmann .
- D. 345,078 3/1994 Gotzsch .
- D. 345,079 3/1994 Johnson .
- D. 366,984 2/1996 Hsu .
- D. 373,703 9/1996 Frisell .
- D. 380,343 7/1997 Rorke .
- D. 392,150 3/1998 Tanaka et al. .
- D. 413,227 8/1999 Alonge .
- 4,448,360 5/1984 Williams .
- 4,471,915 9/1984 Levin et al. .
- 4,516,733 5/1985 Funagura et al. .
- 4,714,203 12/1987 Williams .
- 5,065,672 11/1991 Federighi, Sr. .
- 5,222,430 6/1993 Wang .
- 5,421,248 6/1995 Hsu .

*Primary Examiner*—Caron D. Veynar  
*Attorney, Agent, or Firm*—Barry E. Deutsch

[56] **References Cited**

**U.S. PATENT DOCUMENTS**

- D. 226,124 1/1973 Roberts ..... D7/379
- D. 250,568 12/1978 Belinkoff ..... D7/384
- D. 259,992 7/1981 Kahlcke .
- D. 272,979 3/1984 Akita et al. .
- D. 282,620 2/1986 Cavalli .
- D. 287,327 12/1986 Cavalli .
- D. 290,676 7/1987 Stutzer et al. .
- D. 293,873 1/1988 Maass .
- D. 296,860 7/1988 Maass .
- D. 296,976 8/1988 Maass .
- D. 297,901 10/1988 Barrault .
- D. 309,082 7/1990 Hattle et al. .... D7/384
- D. 323,763 2/1992 Barrault .
- D. 324,322 3/1992 Barrault .

[57] **CLAIM**

The ornamental design for a food processor, as shown and described.

**DESCRIPTION**

FIG. 1 is a perspective view, taken from the front, right side, and top, illustrating our new design of a food processor; FIG. 2 is a top plan view thereof; FIG. 3 is a right side elevation view thereof; FIG. 4 is a rear elevation view thereof; FIG. 5 is a front elevation view thereof; FIG. 6 is a left side elevation view thereof; and, FIG. 7 is a bottom plan view thereof.

**1 Claim, 4 Drawing Sheets**

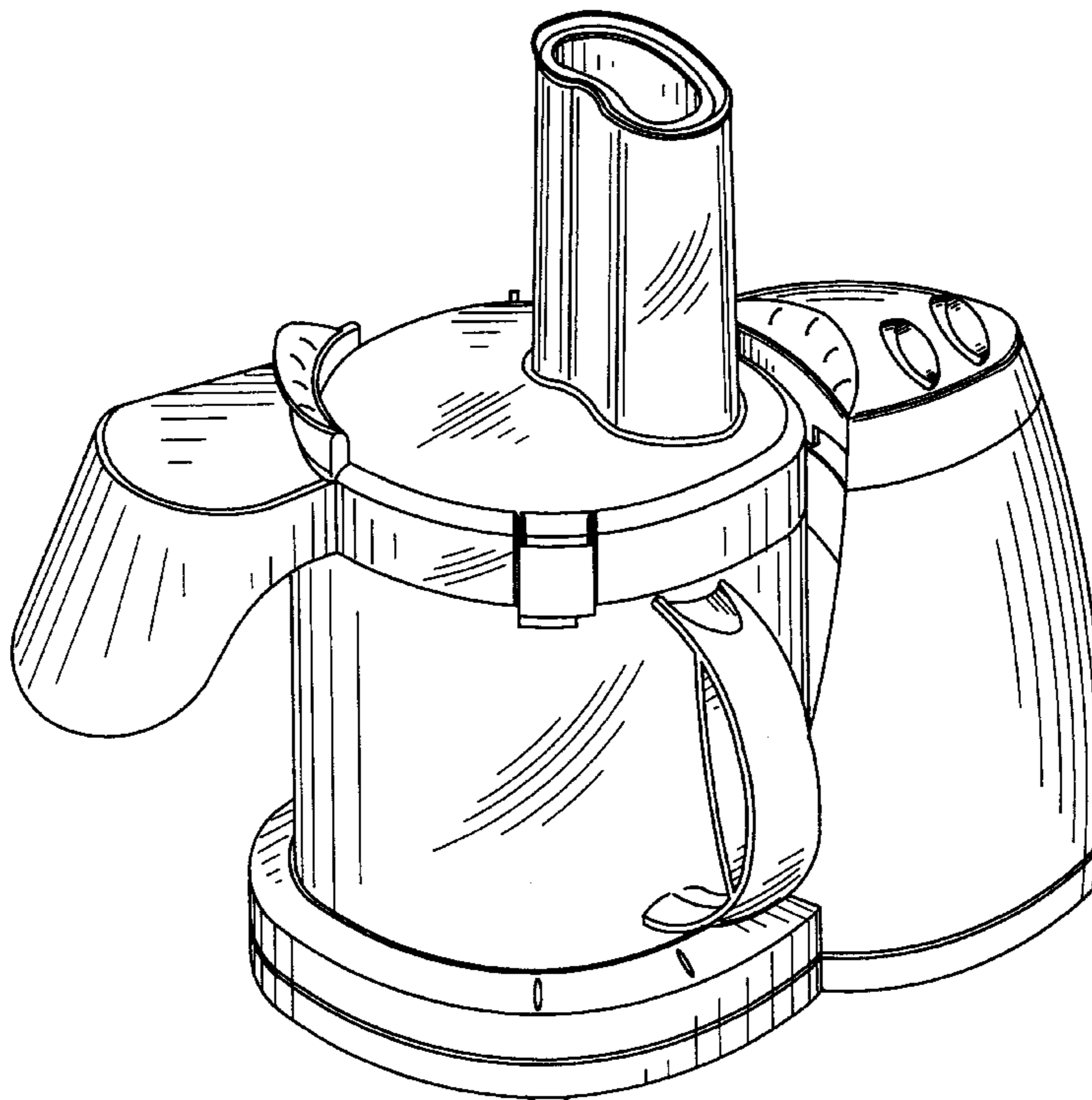


FIG. 1

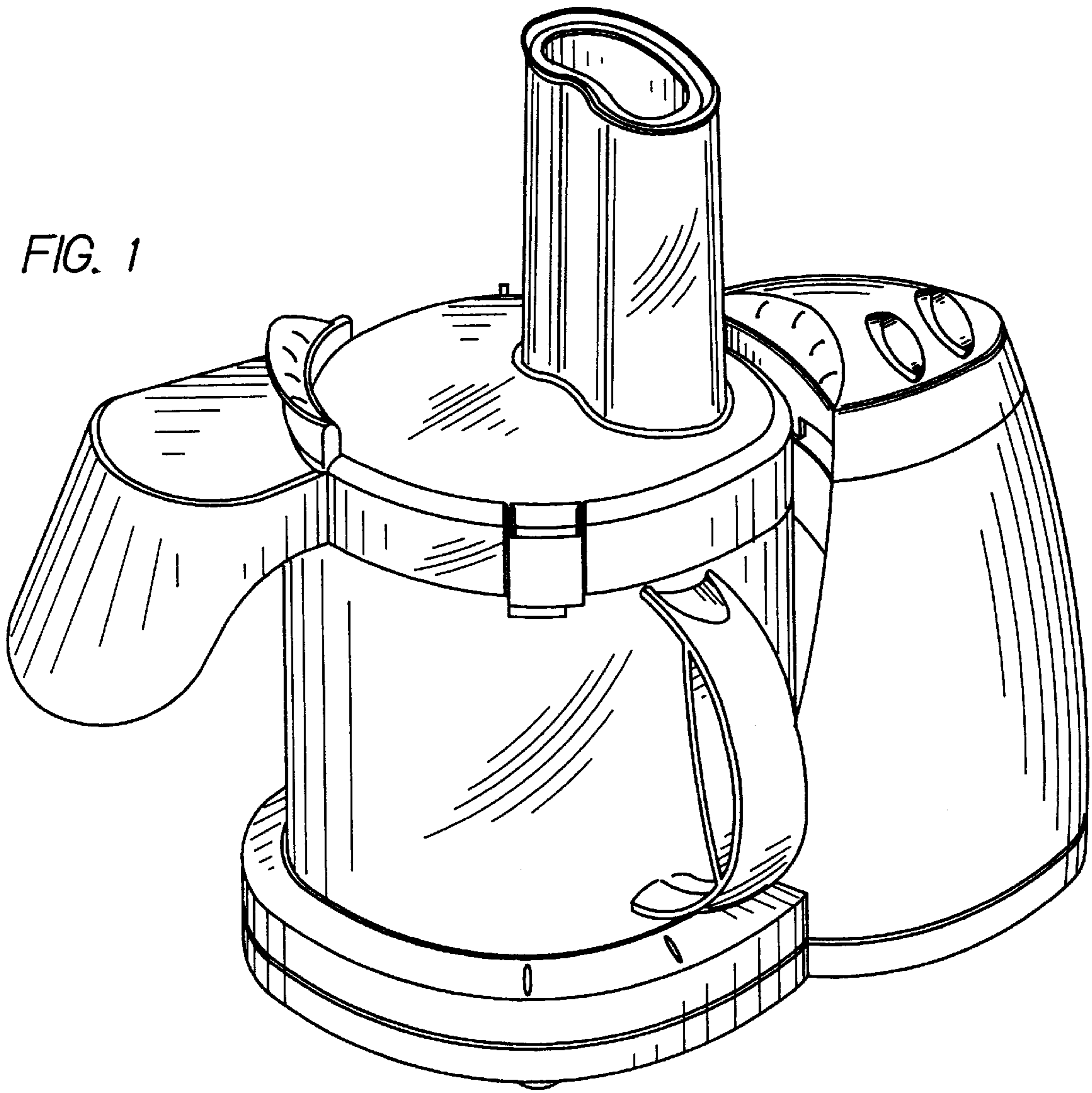


FIG. 2

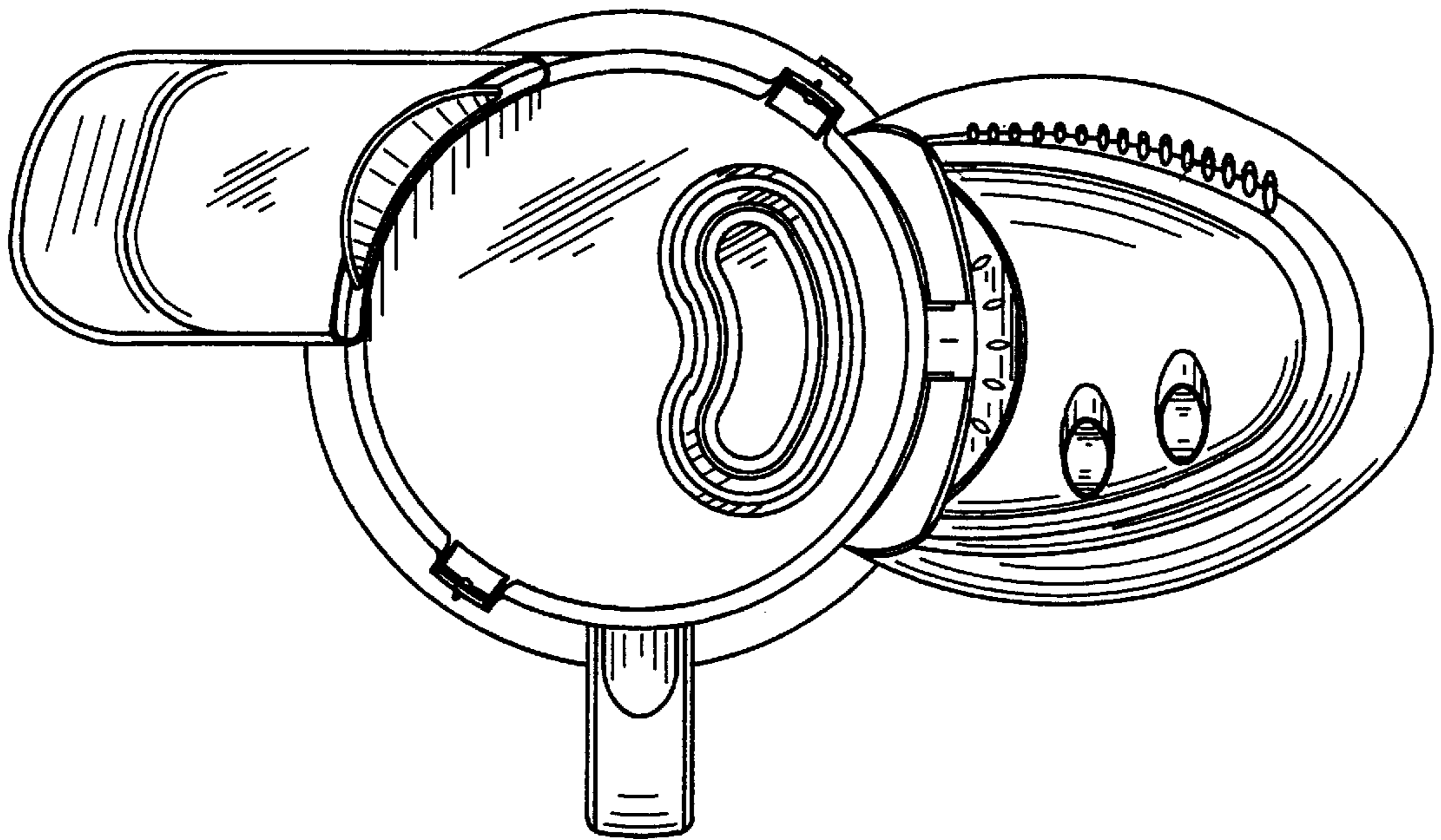
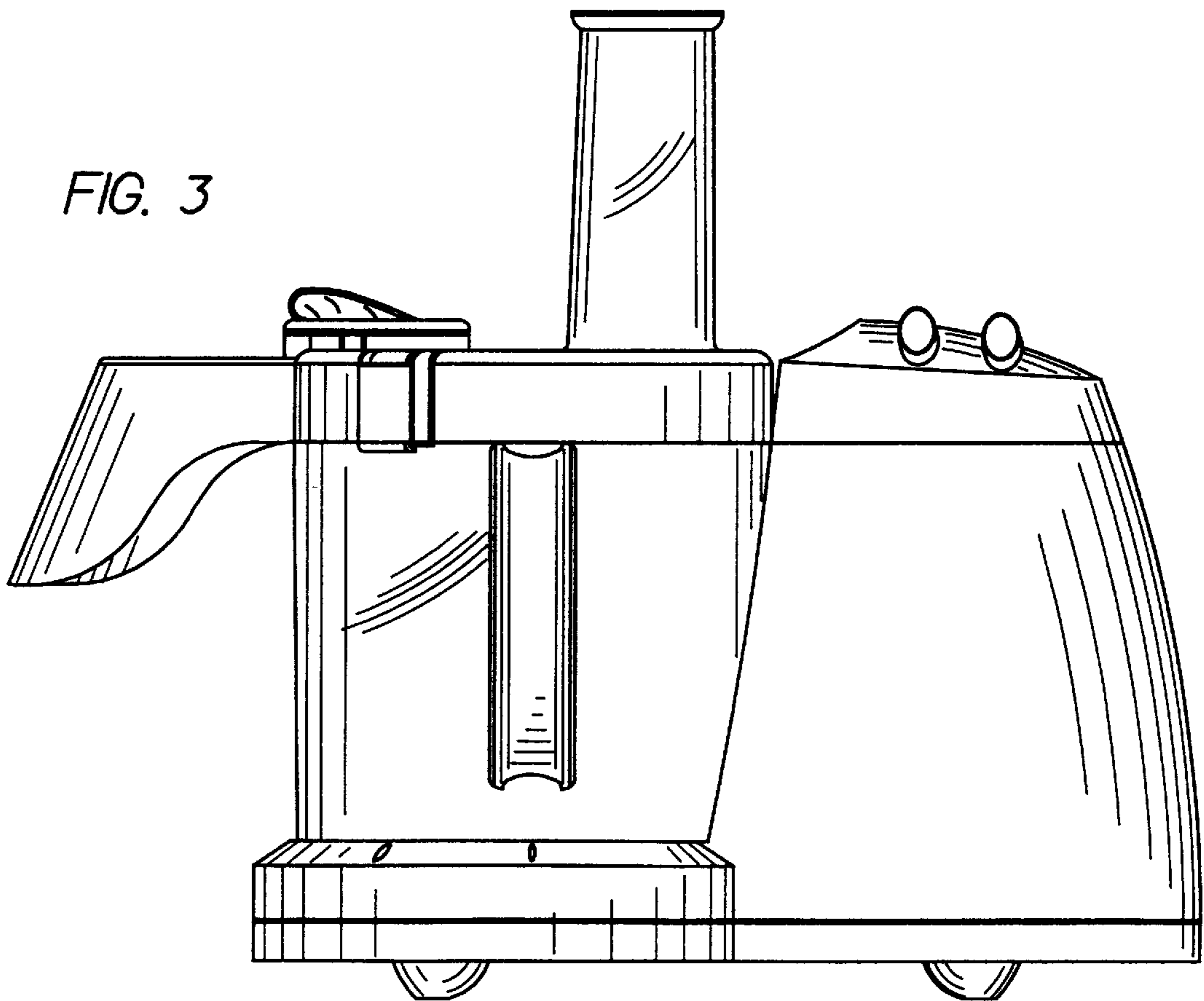


FIG. 3



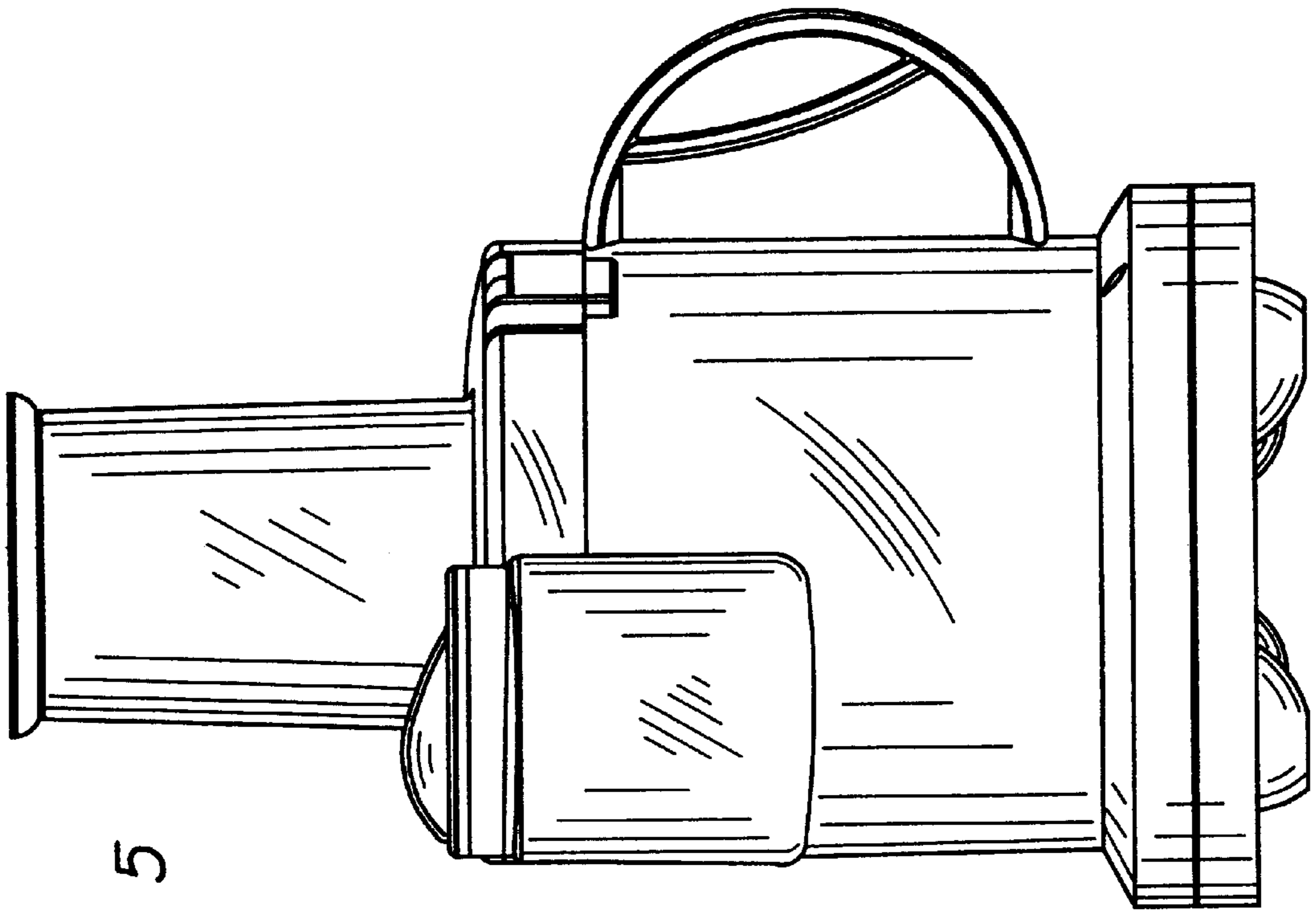


FIG. 5

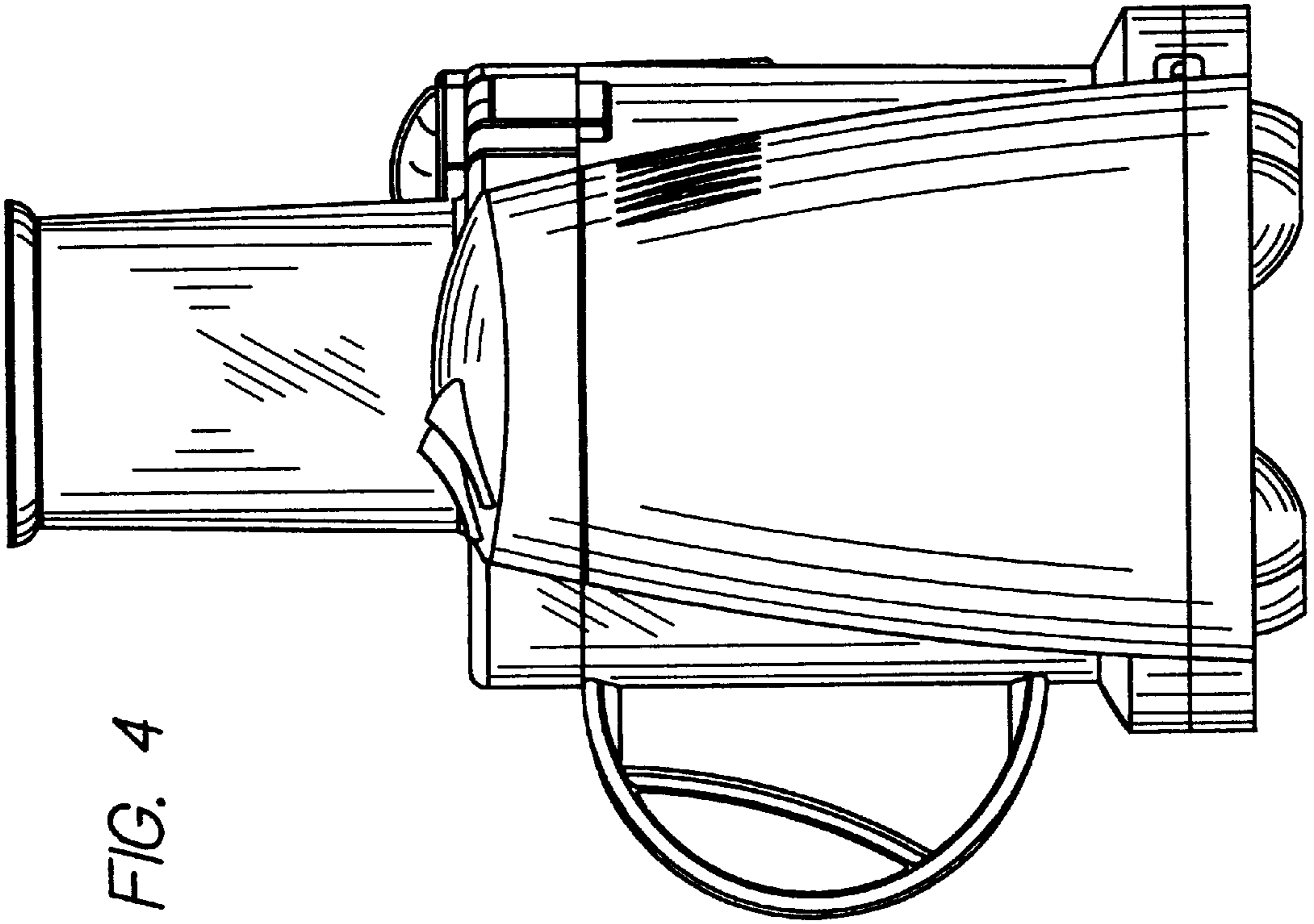


FIG. 4



FIG. 6

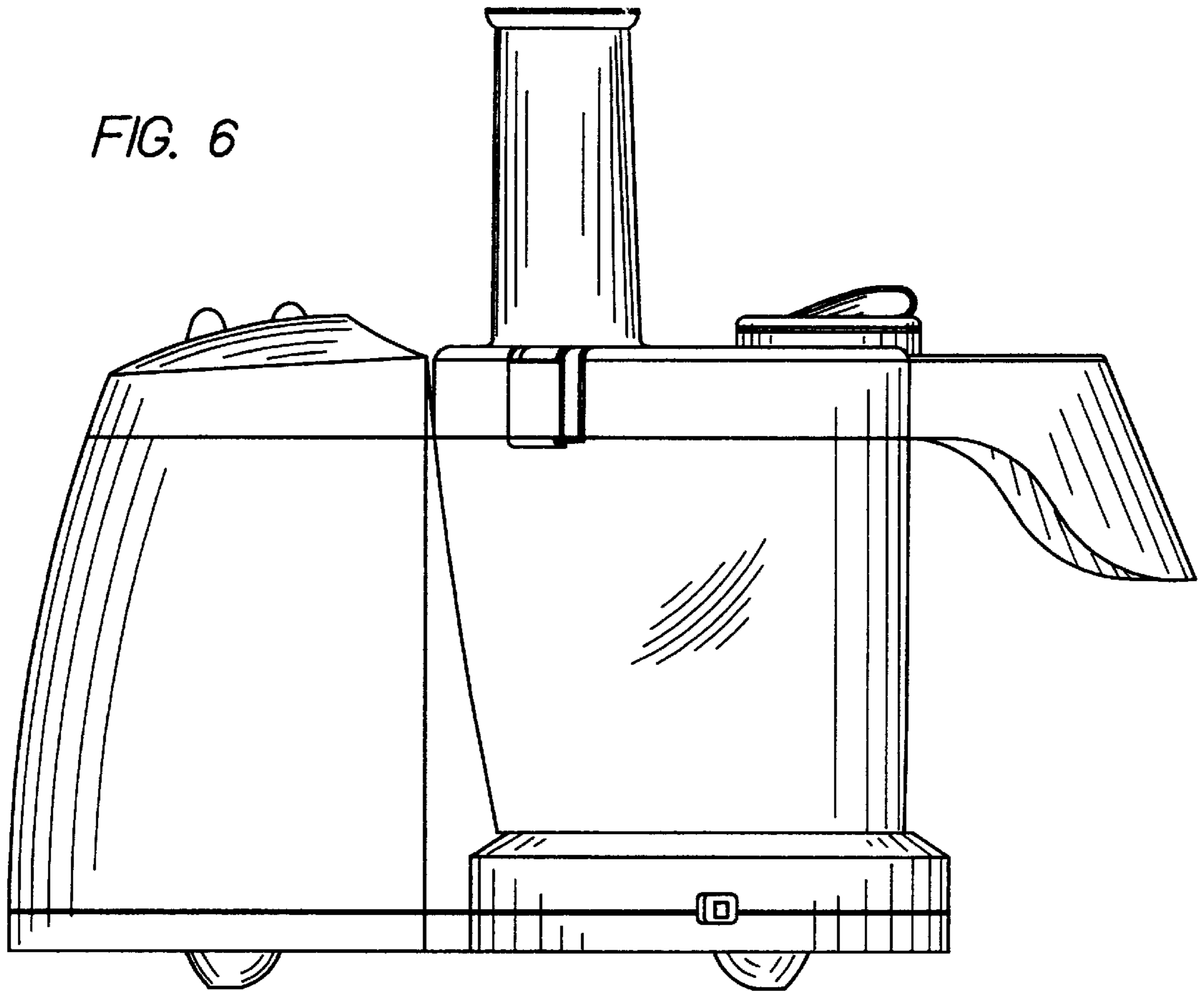


FIG. 7

