



US00D434270S

United States Patent [19] Lin

[11] **Patent Number: Des. 434,270**

[45] **Date of Patent: ** Nov. 28, 2000**

[54] **ICE SHAVER**

[76] Inventor: **Yong-Sue Lin**, No. 8, Alley 41, Lane 189, Sec. 1, Anchung Rd., Tainan, Taiwan

[**] Term: **14 Years**

[21] Appl. No.: **29/119,715**

[22] Filed: **Mar. 6, 2000**

[51] **LOC (7) Cl. 07-04**

[52] **U.S. Cl. D7/374**

[58] **Field of Search** D7/362, 367, 372-4, D7/376, 383-4, 592, 665, 666, 679; D8/309; 241/82.1, 83, 95, 273.2, 274, 277, 278.1, 279, 280, 169.1

[56] **References Cited**

U.S. PATENT DOCUMENTS

- D. 289,370 4/1987 Bertani D8/309
- D. 318,776 8/1991 Lin D7/374

- D. 321,301 11/1991 Purkapile D7/376
- D. 337,239 7/1993 Lin D7/374
- D. 408,213 4/1999 Lin D7/374
- D. 414,376 9/1999 Lin D7/374
- 3,679,140 7/1972 Kaishita et al. 241/95

Primary Examiner—Robert M. Spear
Attorney, Agent, or Firm—Hedman, Gibson & Costigan, P.C.

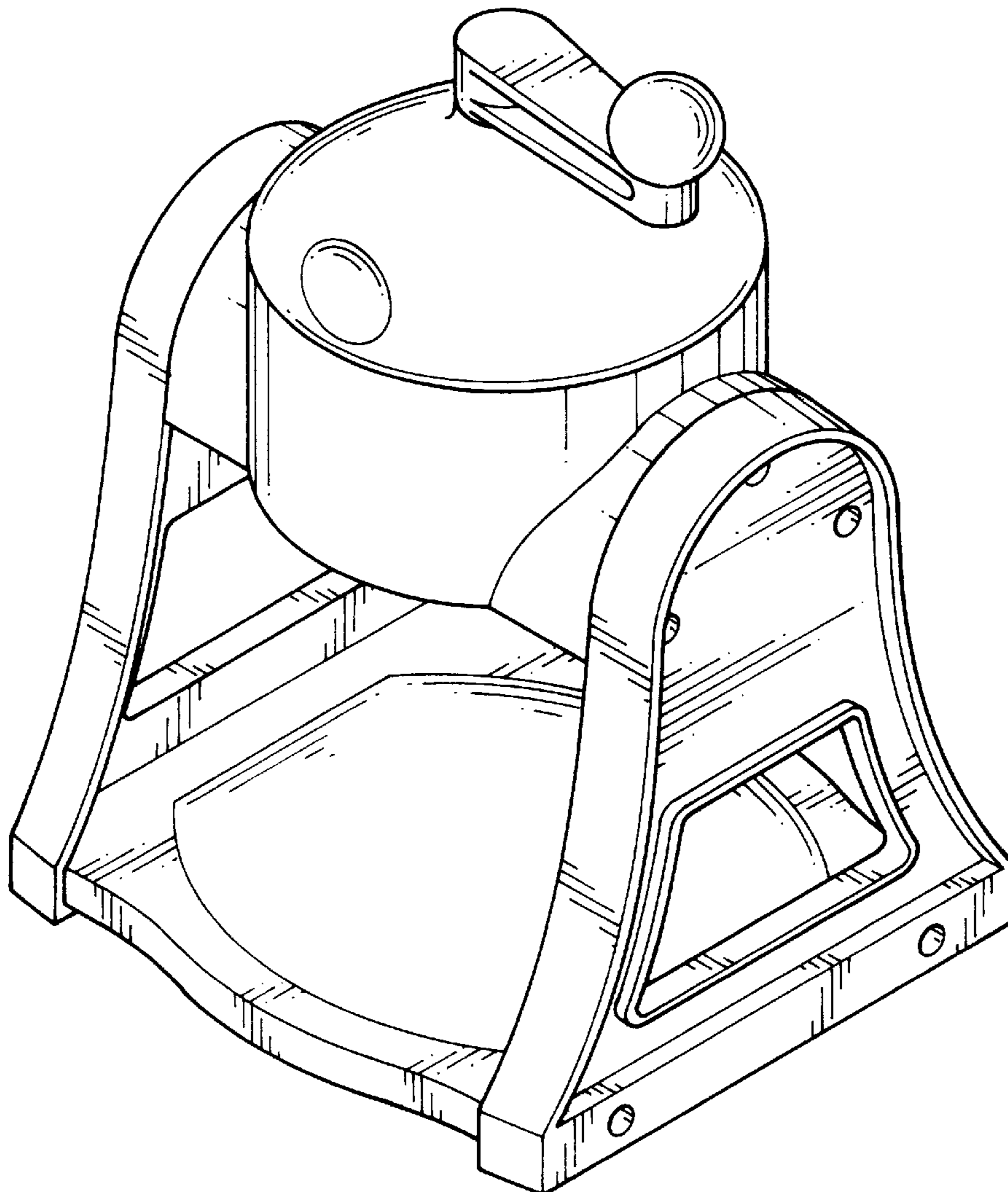
[57] **CLAIM**

The ornamental design for an ice shaver, as shown.

DESCRIPTION

FIG. 1 is a front-right-top perspective view of an ice shaver, showing my new design;
FIG. 2 is a front elevational view thereof;
FIG. 3 is a rear elevational view thereof;
FIG. 4 is a left side elevational view thereof;
FIG. 5 is a right side elevational view thereof;
FIG. 6 is a top plan view thereof; and,
FIG. 7 is a bottom plan view thereof.

1 Claim, 6 Drawing Sheets



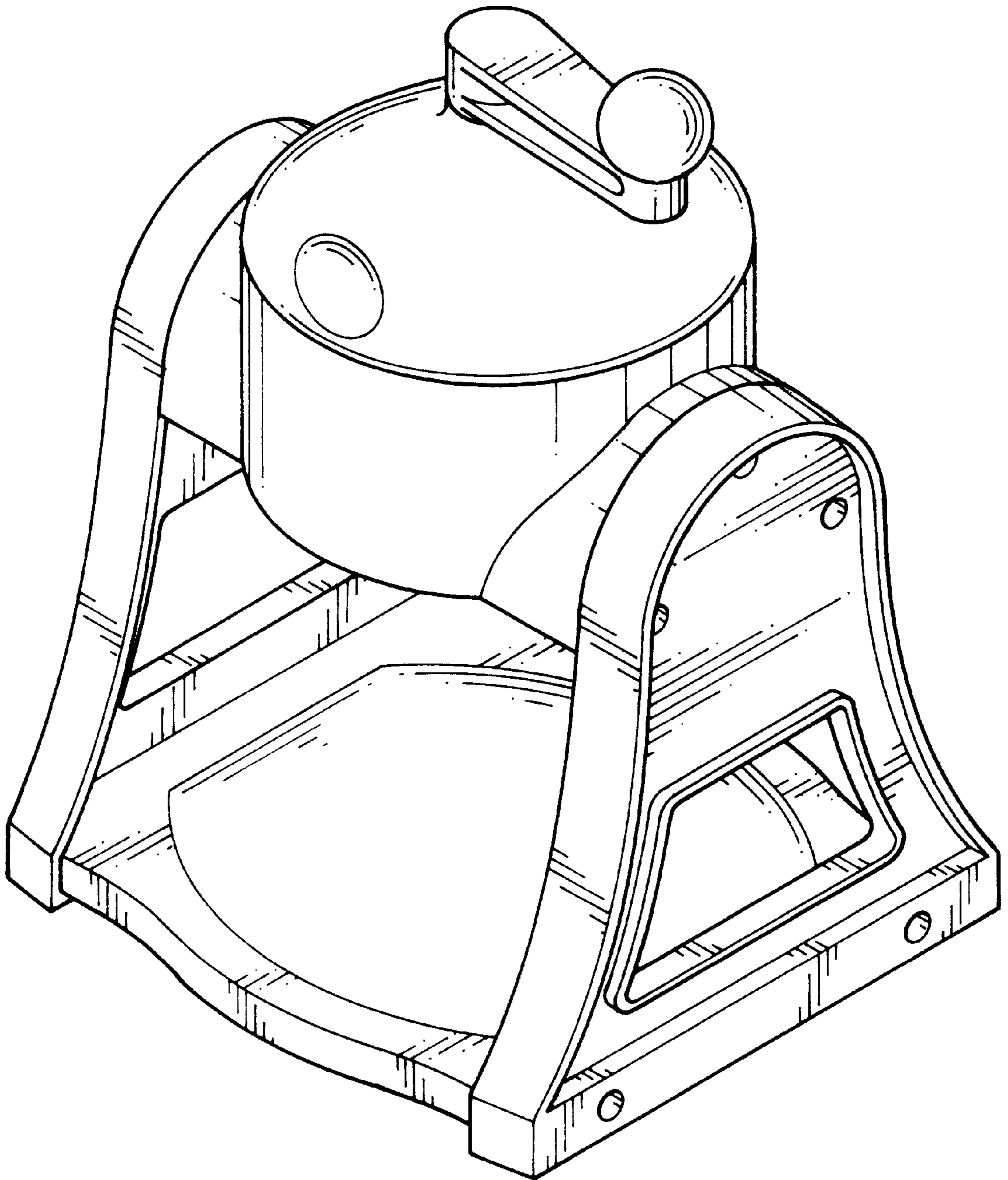


FIG. 1

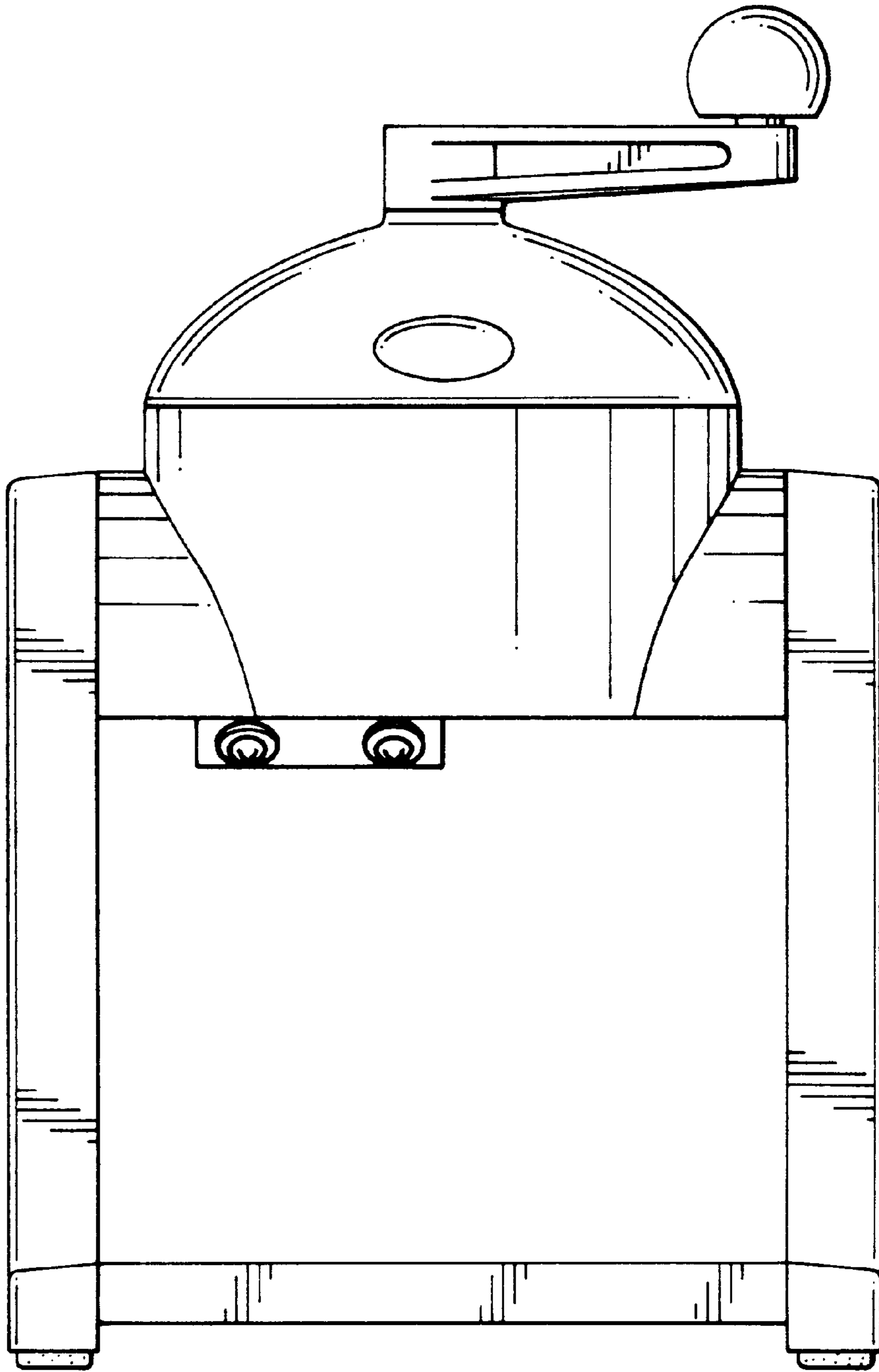


FIG. 2

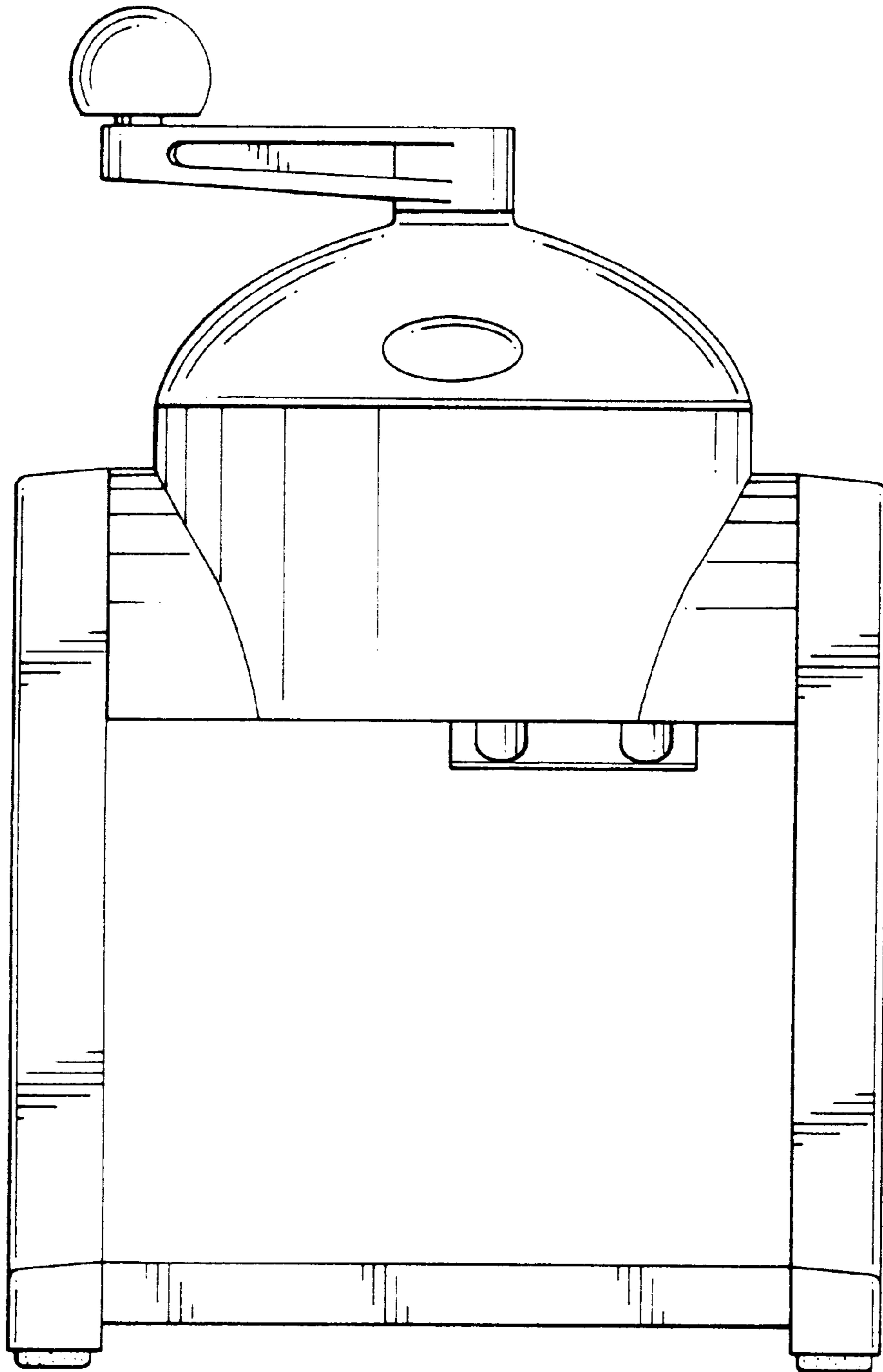


FIG. 3

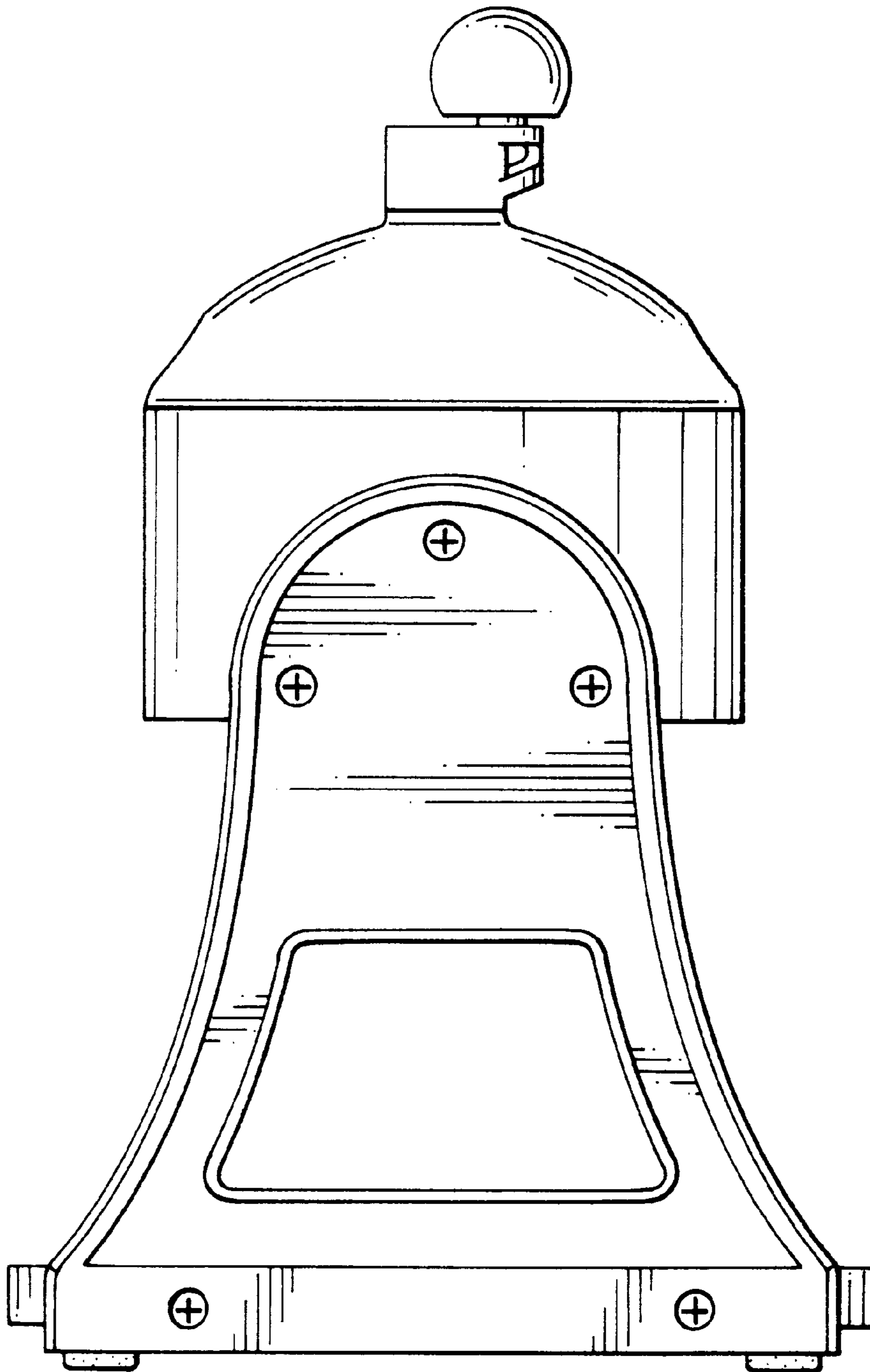


FIG. 4

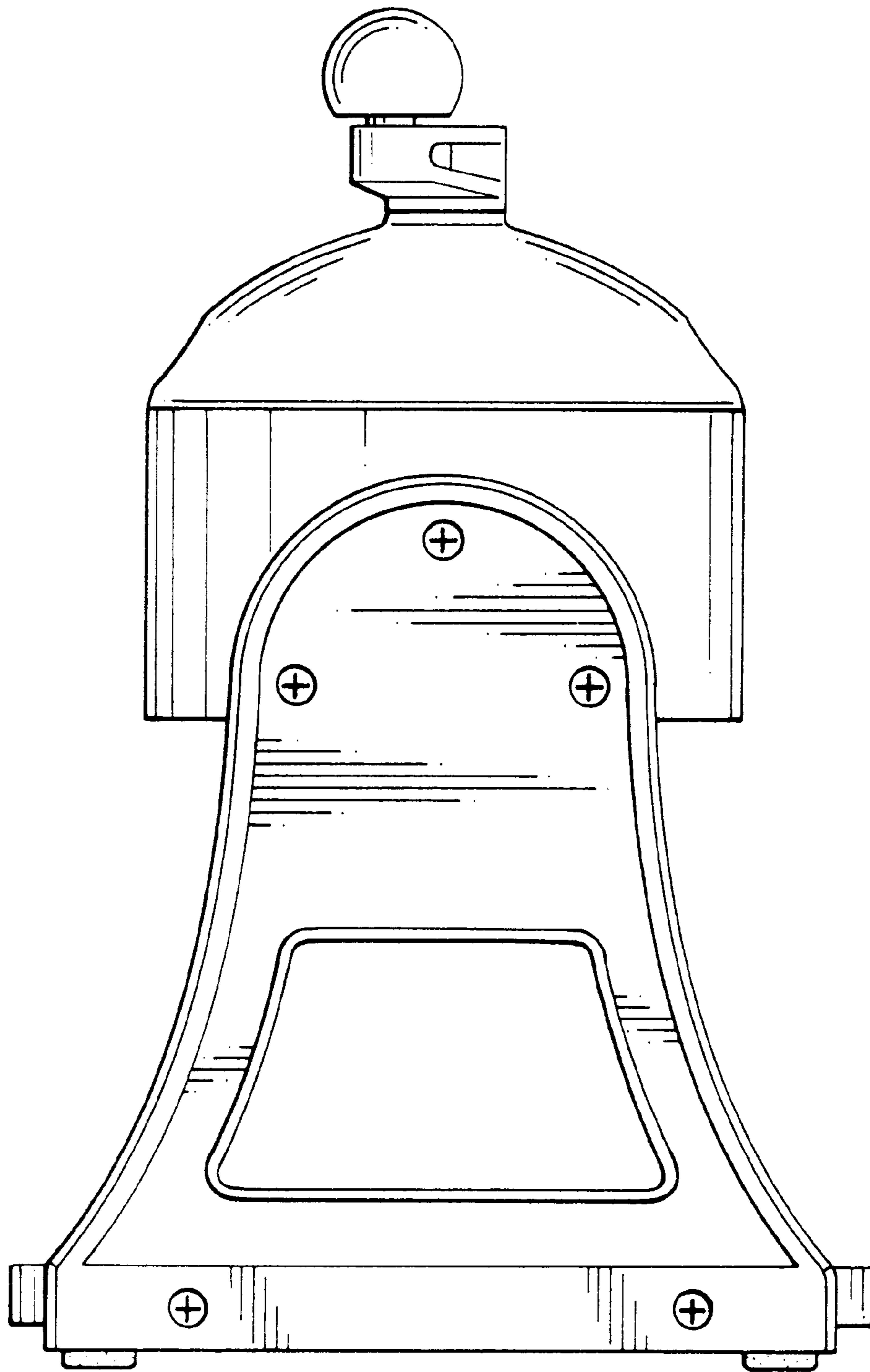


FIG. 5

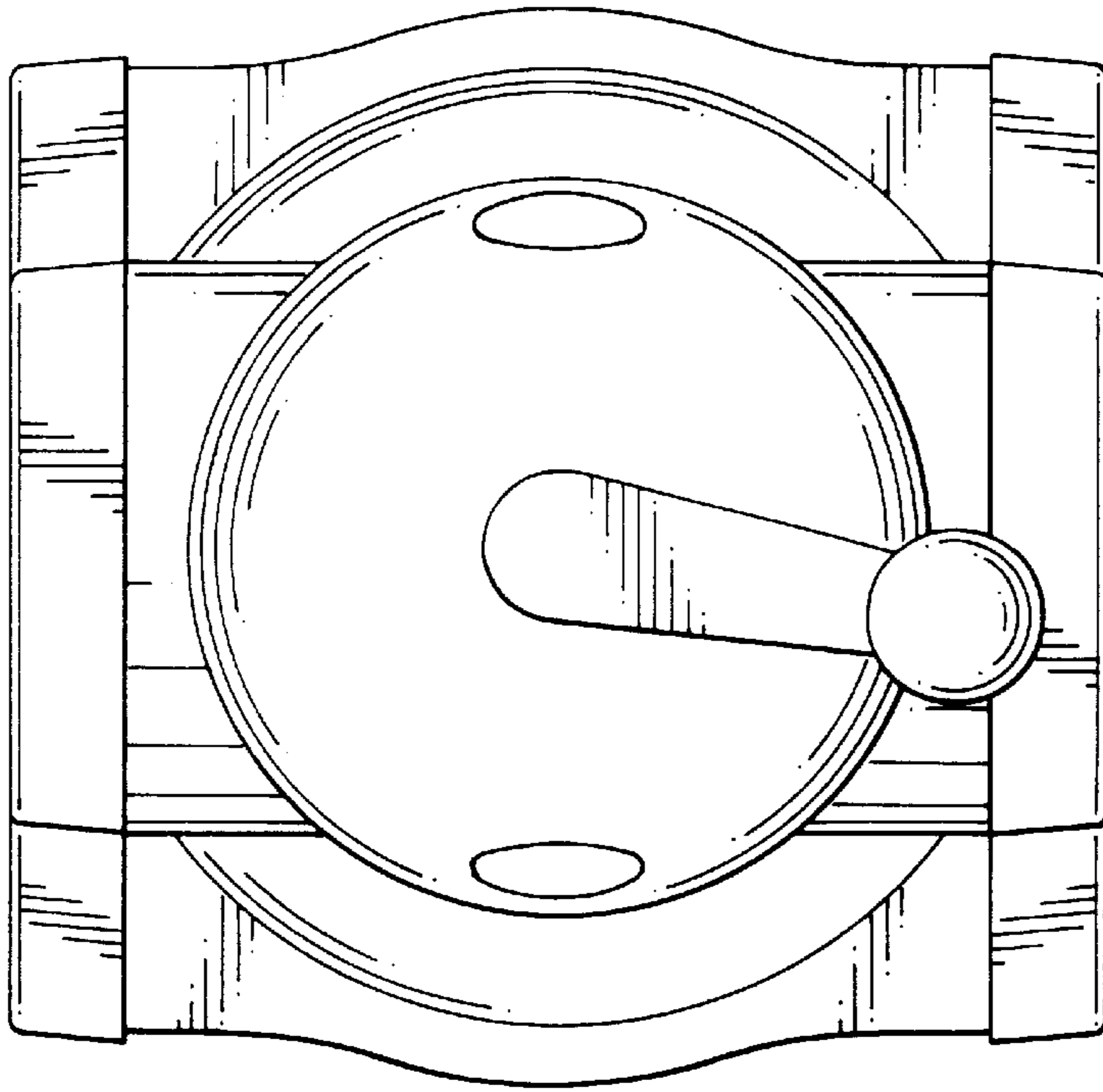


FIG. 6

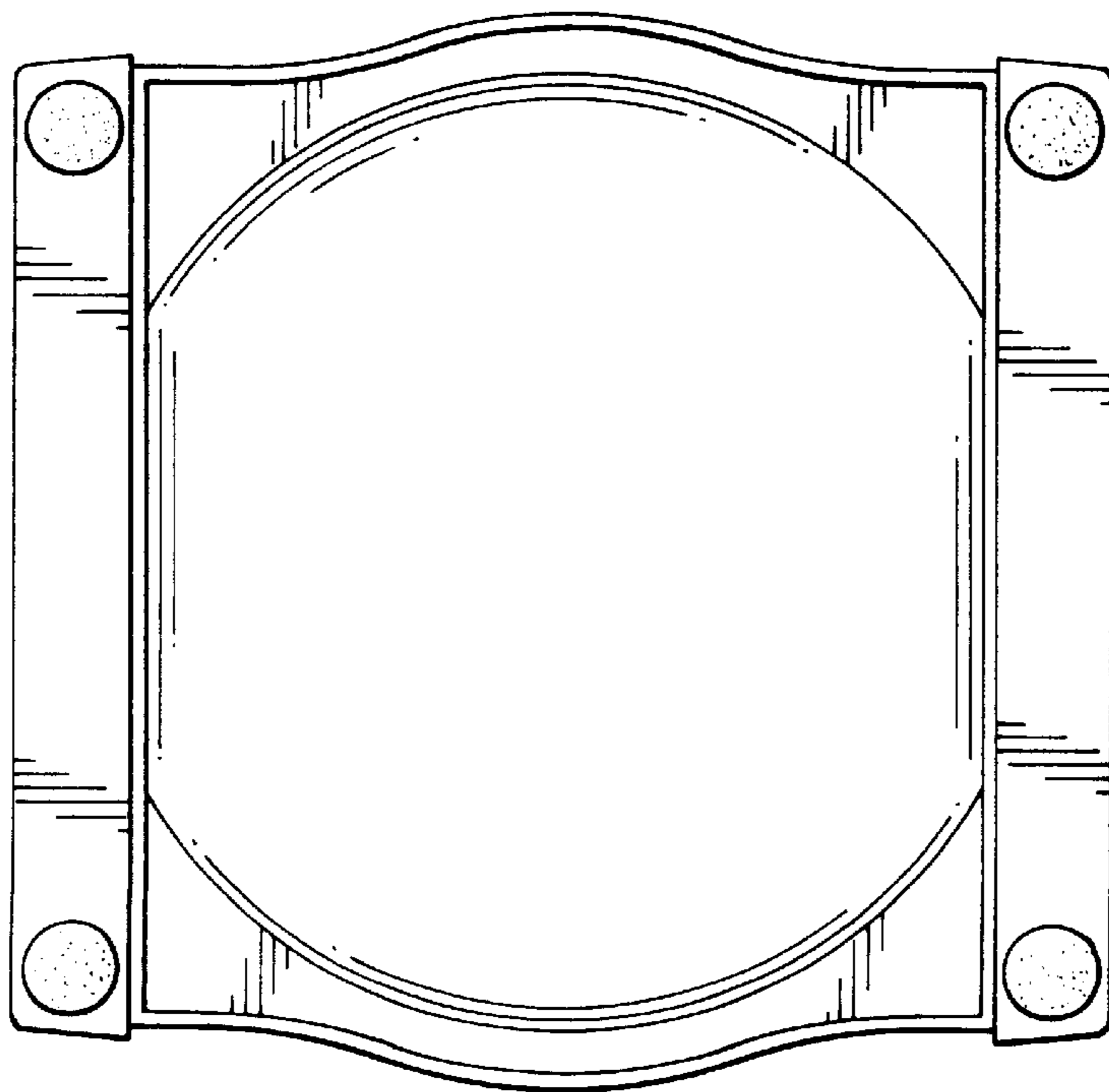


FIG. 7