



US00D434269S

United States Patent [19] Jo

[11] **Patent Number: Des. 434,269**

[45] **Date of Patent: ** Nov. 28, 2000**

[54] **COVERED ELECTRIC FRYING PAN**

[75] Inventor: **Jong Yeon Jo**, Inchon, Rep. of Korea

[73] Assignee: **Jae Woo Co., Ltd.**, Inchon, Rep. of Korea

[**] Term: **14 Years**

[21] Appl. No.: **29/114,634**

[22] Filed: **Nov. 29, 1999**

[30] **Foreign Application Priority Data**

May 28, 1999 [KR] Rep. of Korea 99-11669

[51] **LOC (7) Cl.** **07-02**

[52] **U.S. Cl.** **D7/360; D7/362**

[58] **Field of Search** D7/323, 337, 354-361,
D7/362; 99/324, 325, 339, 341; 220/573.1,
912

[56] **References Cited**

U.S. PATENT DOCUMENTS

D. 176,589 1/1956 Brandler D7/360

D. 269,319 6/1983 Fox D7/360
D. 276,493 11/1984 Cesaroni D7/355
D. 276,689 12/1984 Spoeth, Jr. D7/355

Primary Examiner—Caron D. Veynar
Attorney, Agent, or Firm—Ladas & Parry

[57] **CLAIM**

The ornamental design for covered electric frying pan, as shown.

DESCRIPTION

FIG. 1 is a front/top/right-side perspective view of a covered electric frying pan showing my new design; FIG. 2 is a front elevational view thereof; FIG. 3 is a rear elevational view thereof; FIG. 4 is a left elevational view thereof; FIG. 5 is a right elevational view thereof; FIG. 6 is a top plan view thereof; and, FIG. 7 is a bottom plan view thereof.

1 Claim, 4 Drawing Sheets

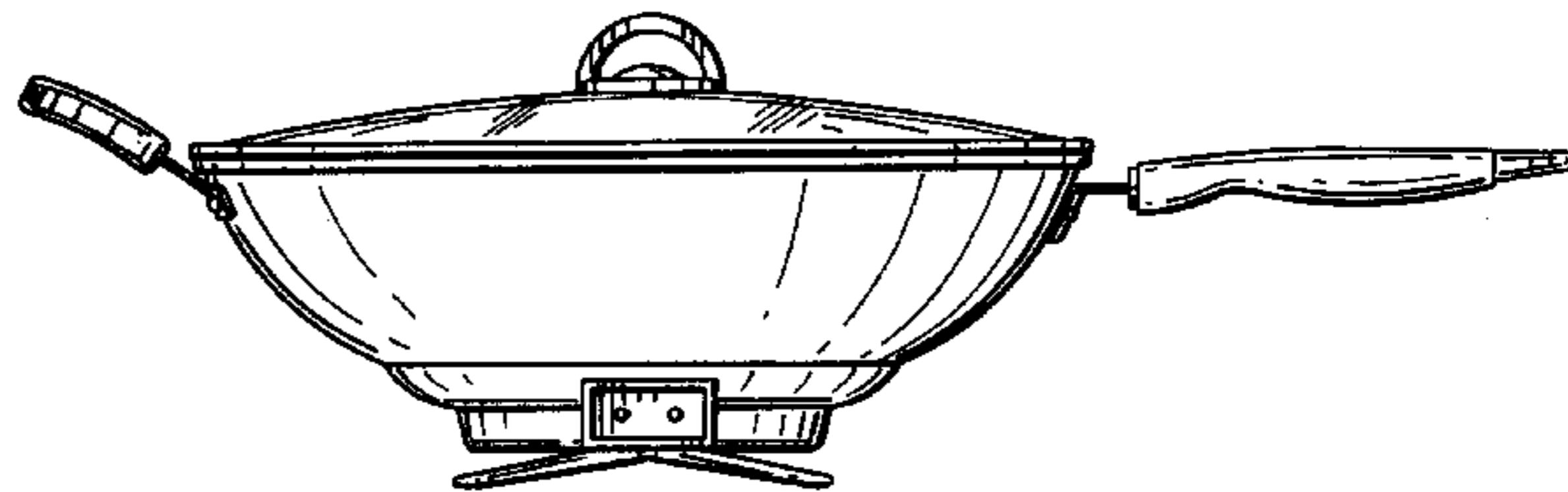
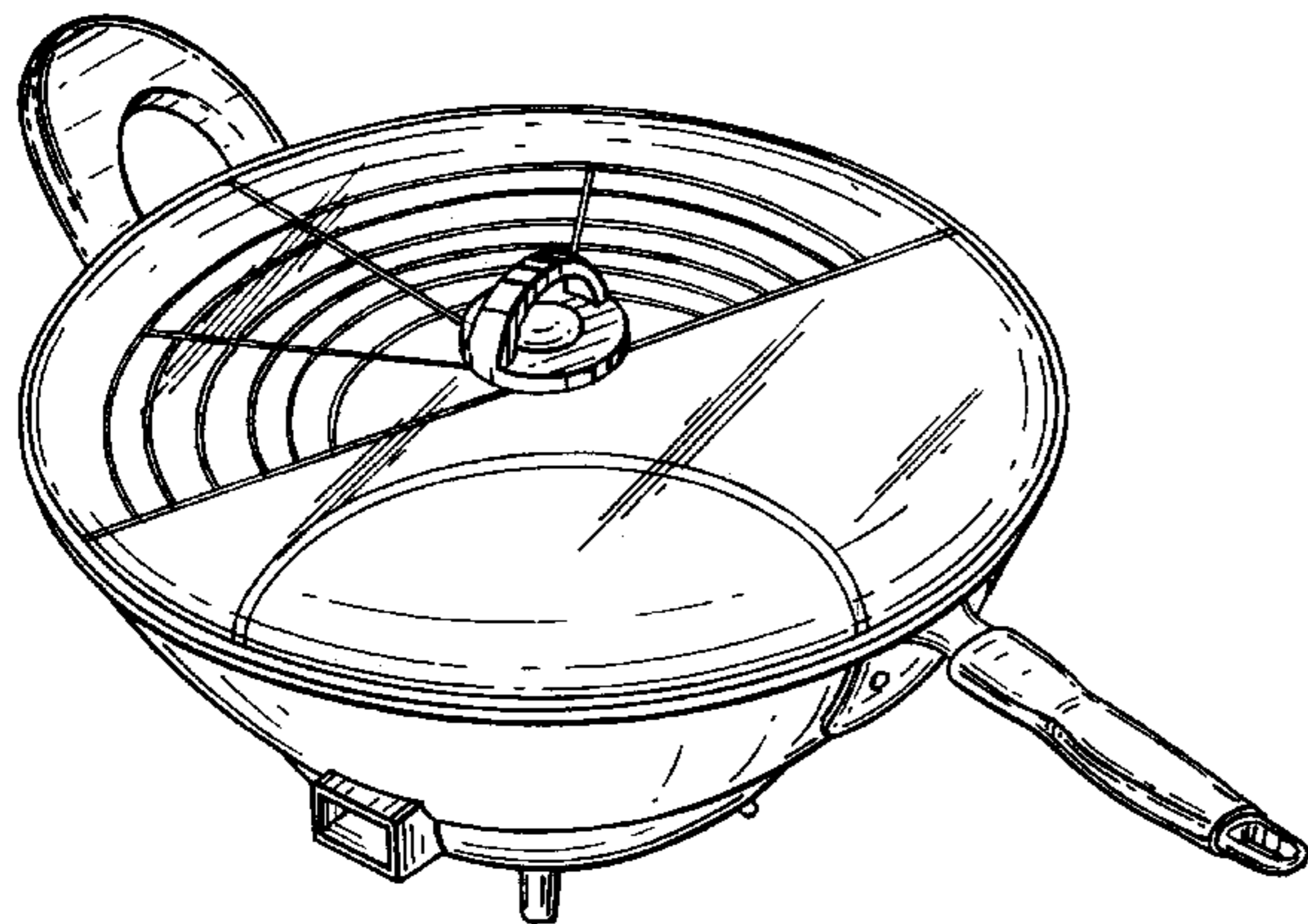


FIG. 1

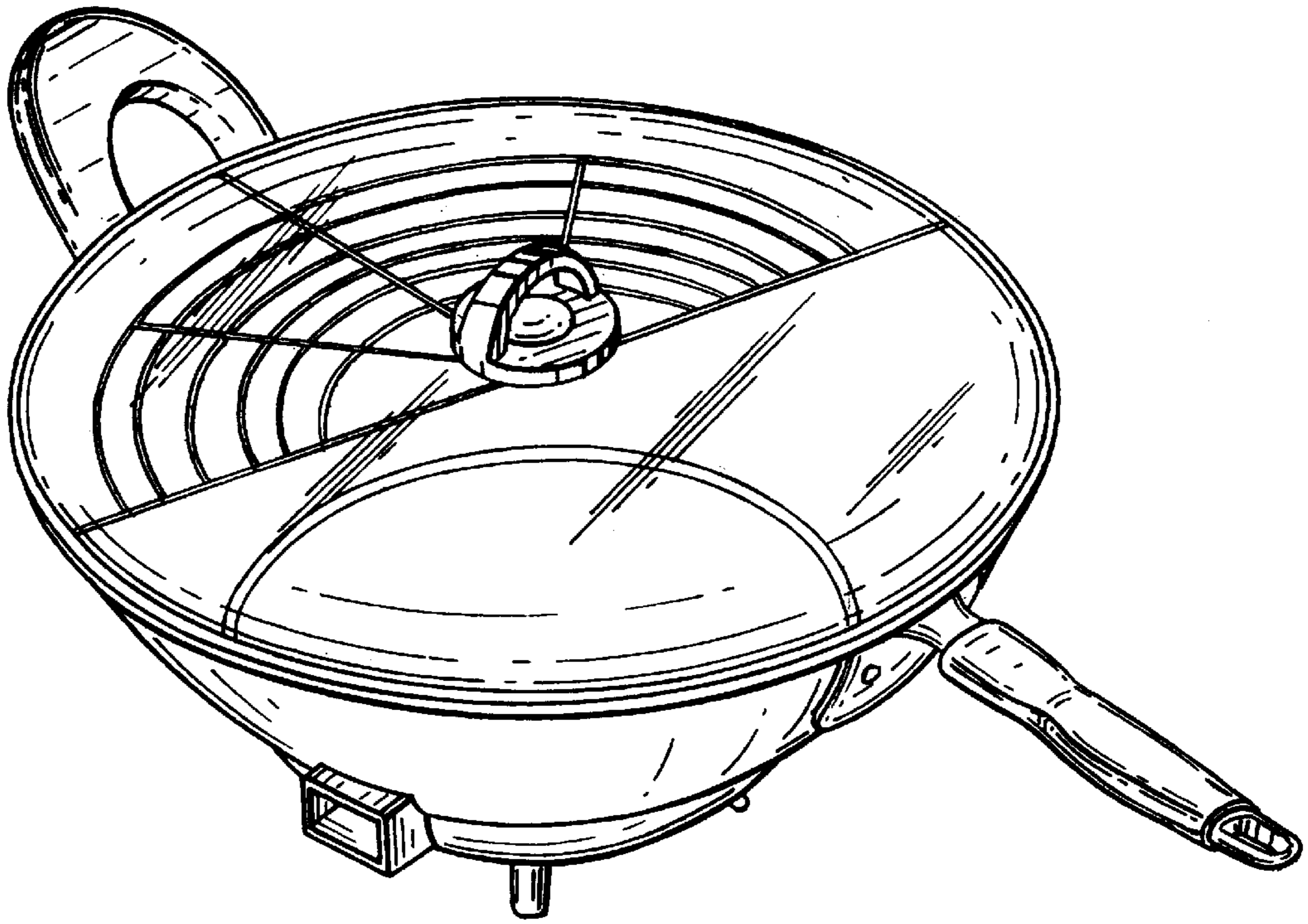


FIG. 2

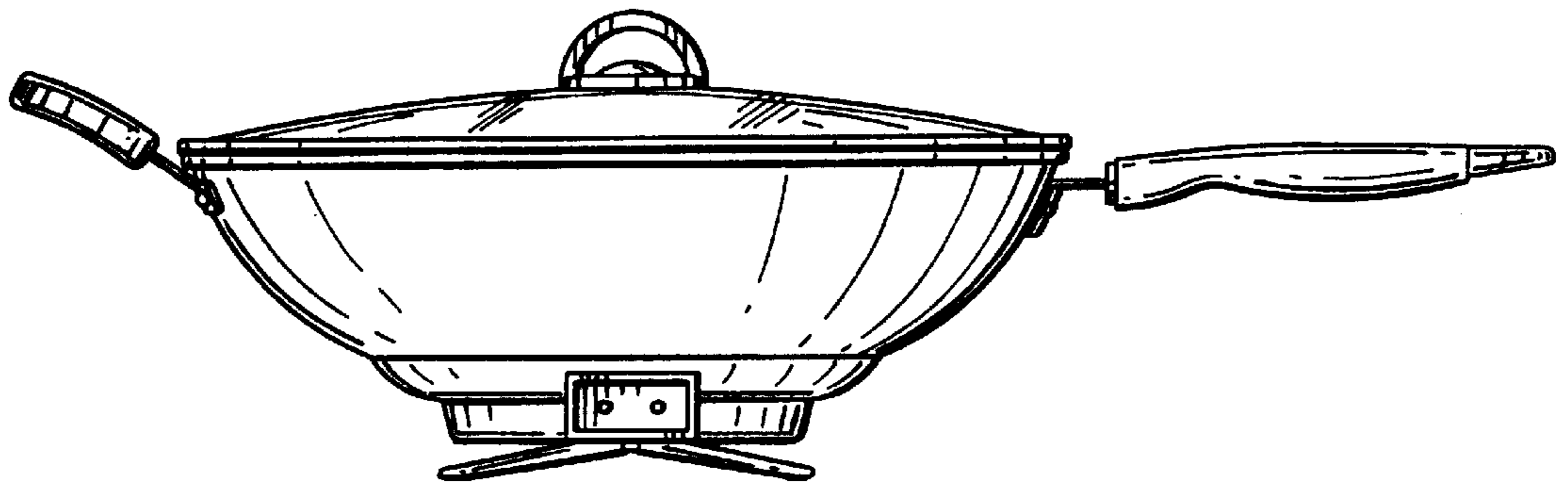


FIG. 3

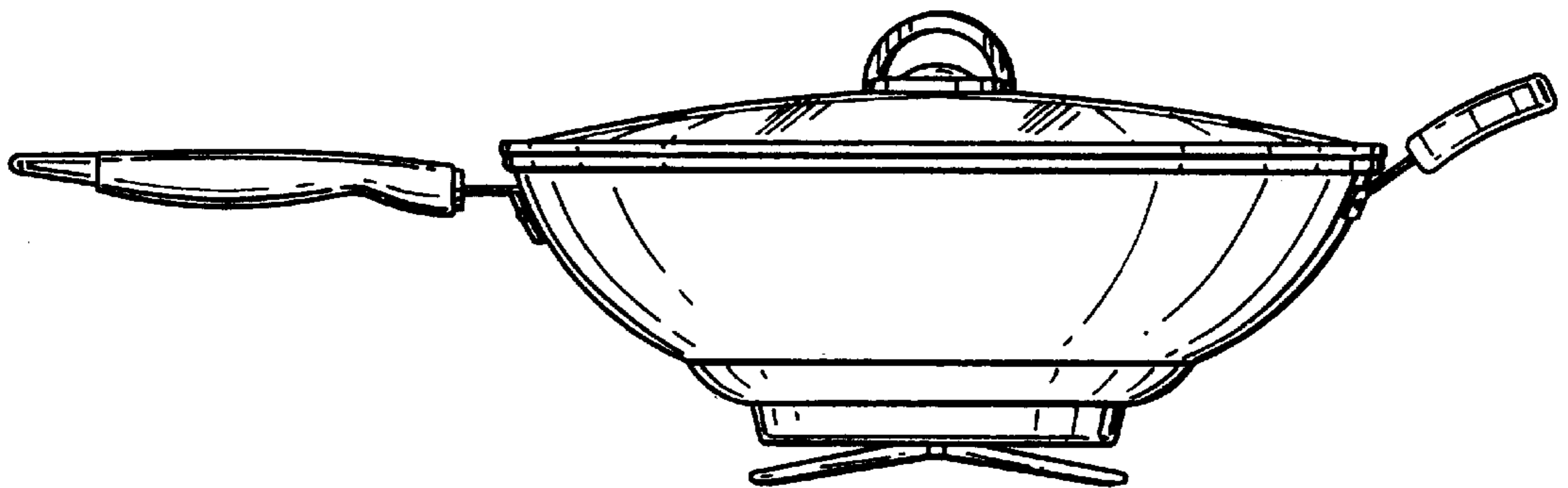


FIG. 4

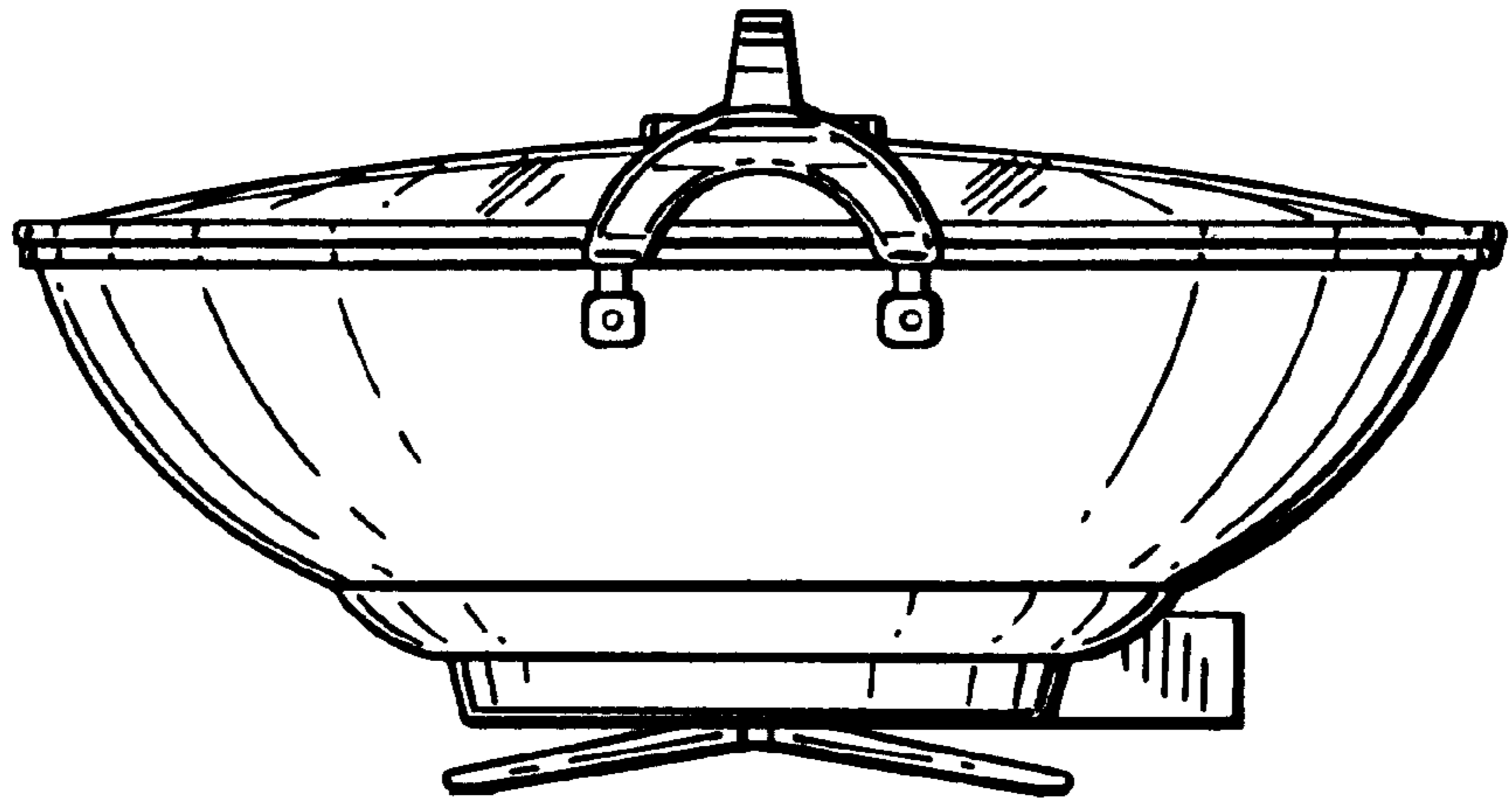


FIG. 5

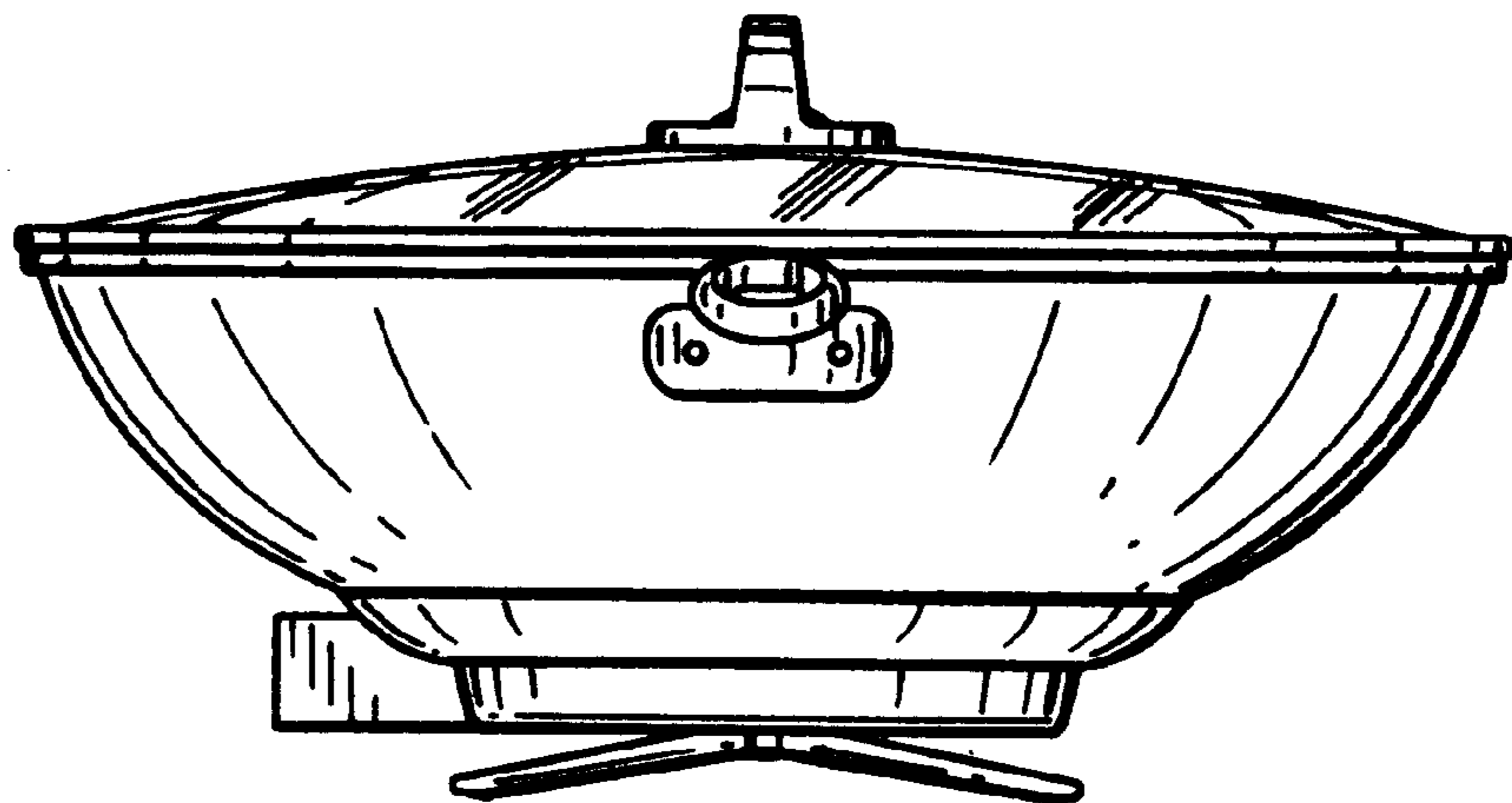


FIG. 6

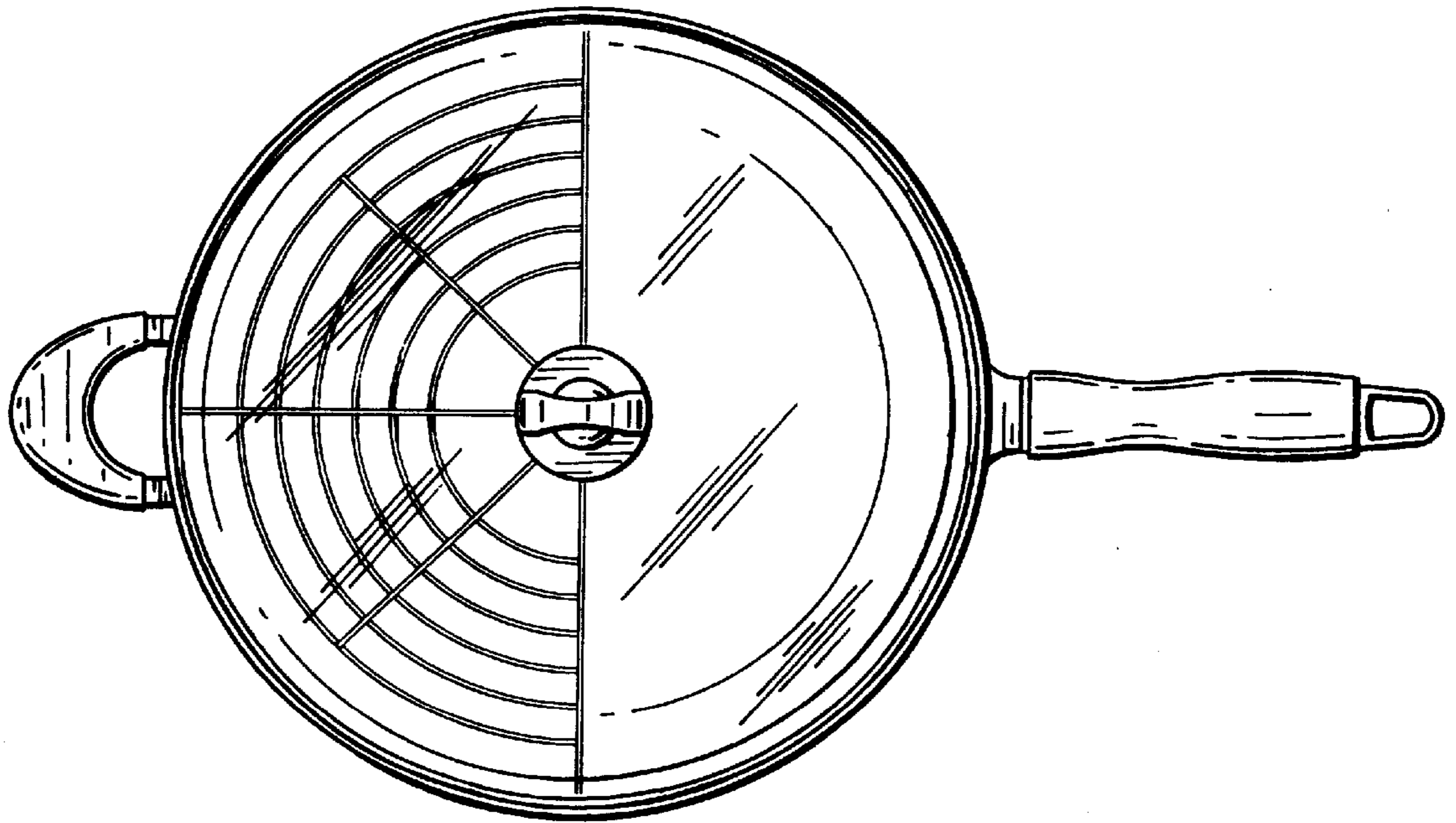


FIG. 7

