



US00D434268S

United States Patent [19]

Yu

[11] **Patent Number: Des. 434,268**

[45] **Date of Patent: ** Nov. 28, 2000**

[54] **RECTANGULAR CHAFING DISH**

[75] Inventor: **Henry Tat Ching Yu**, Kowloon, China

[73] Assignee: **Sunnex Products Limited**, Kowloon, China

[**] Term: **14 Years**

[21] Appl. No.: **29/117,557**

[22] Filed: **Jan. 27, 2000**

[51] **LOC (7) Cl.** **07-02**

[52] **U.S. Cl.** **D7/355**

[58] **Field of Search** D7/323, 354-361, D7/366; 99/324, 400, 401, 446, 447; 126/261, 41 R; 219/385, 386, 620, 621, 622, 429, 438; 220/252, 573.1

[56] **References Cited**

U.S. PATENT DOCUMENTS

D. 146,832	5/1947	O'Connell	D7/355
D. 168,905	2/1953	O'Connell	D7/355
D. 213,717	4/1969	Rickmeier, Jr.	D7/355
D. 369,506	5/1996	Tinius	D7/355
D. 401,804	12/1998	Tinius	D7/355
D. 401,805	12/1998	Benz	D7/355
D. 426,103	6/2000	Briner	D7/355
3,361,126	1/1968	Bloomfield	126/261

Primary Examiner—Caron D. Veynar
Attorney, Agent, or Firm—Alix, Yale & Ristas, LLP

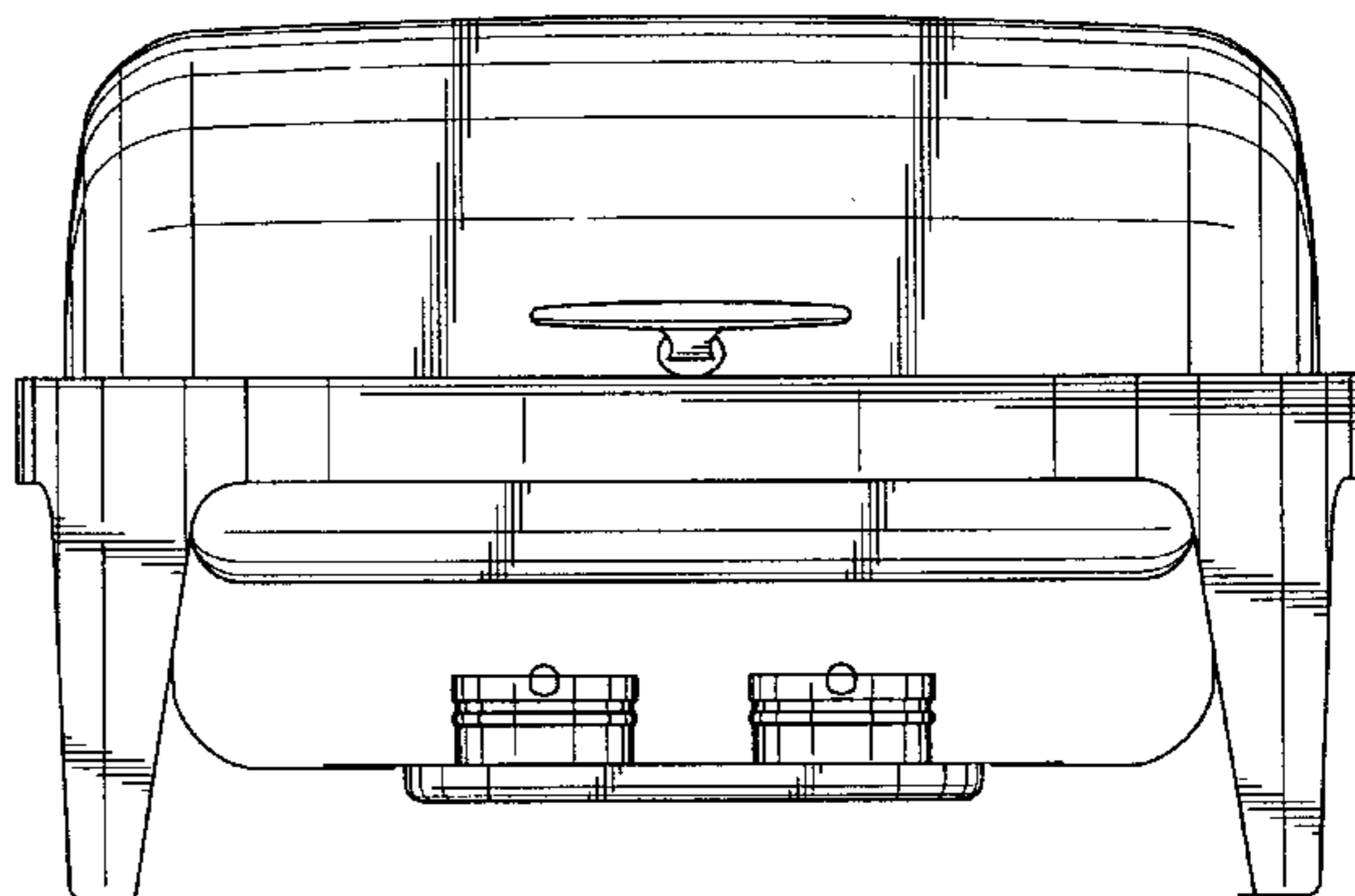
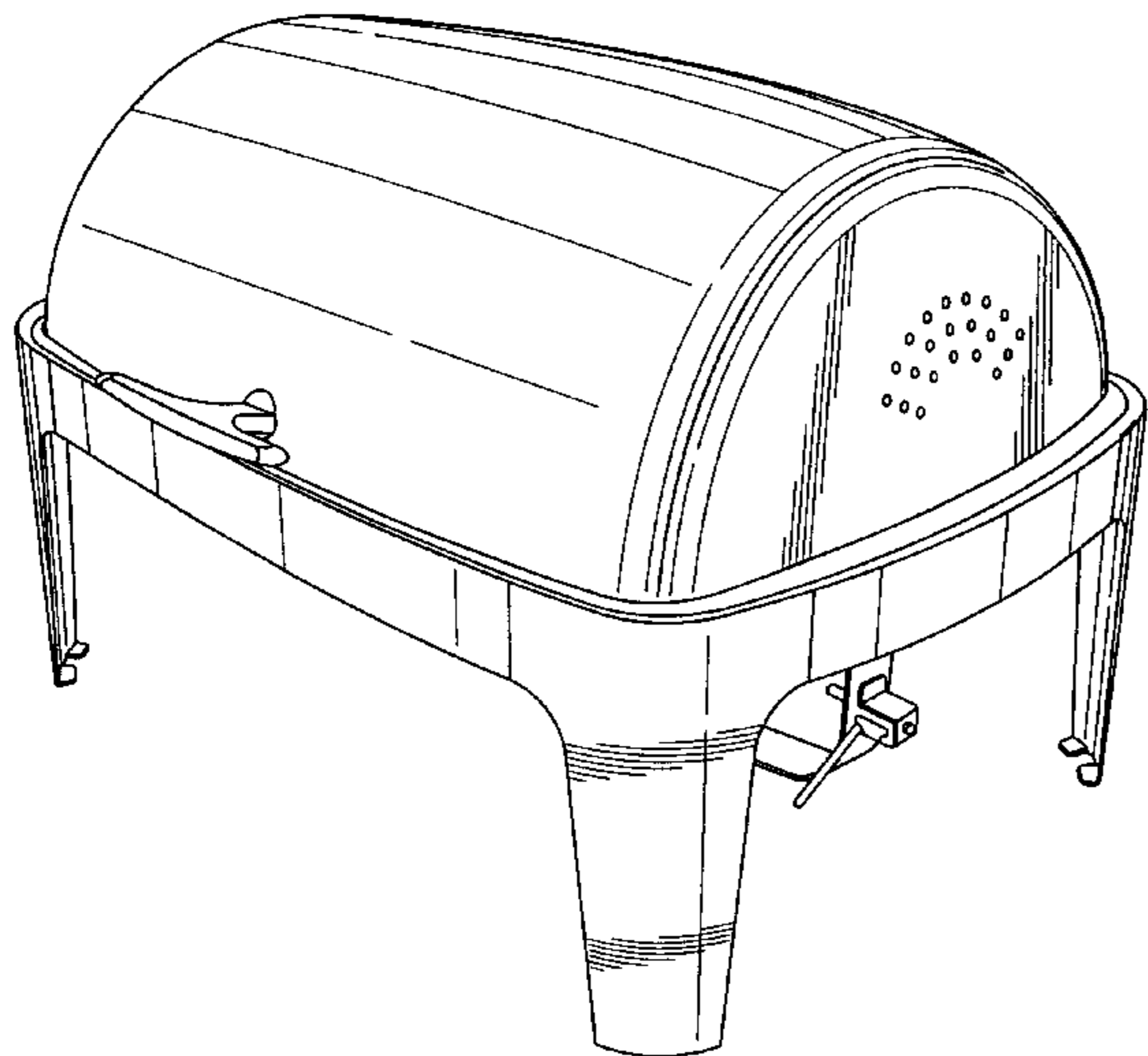
[57] **CLAIM**

The ornamental design for a rectangular chafing dish, as shown and described.

DESCRIPTION

FIG. 1 is a perspective view of the rectangular chafing dish showing my new design;
 FIG. 2 is a perspective view of the rectangular chafing dish of FIG. 1 with a roll top thereof semi-opened;
 FIG. 3 is a perspective view of the rectangular chafing dish of FIG. 1 with a roll top thereof fully opened;
 FIG. 4 is a front view of the rectangular chafing dish of FIG. 1;
 FIG. 5 is a rear view of the rectangular chafing dish of FIG. 1;
 FIG. 6 is a left side view of the rectangular chafing dish of FIG. 1;
 FIG. 7 is a right side view of the rectangular chafing dish of FIG. 1;
 FIG. 8 is a top plan view of the rectangular chafing dish of FIG. 1; and,
 FIG. 9 is a bottom plan view of the rectangular chafing dish of FIG. 1.

1 Claim, 6 Drawing Sheets



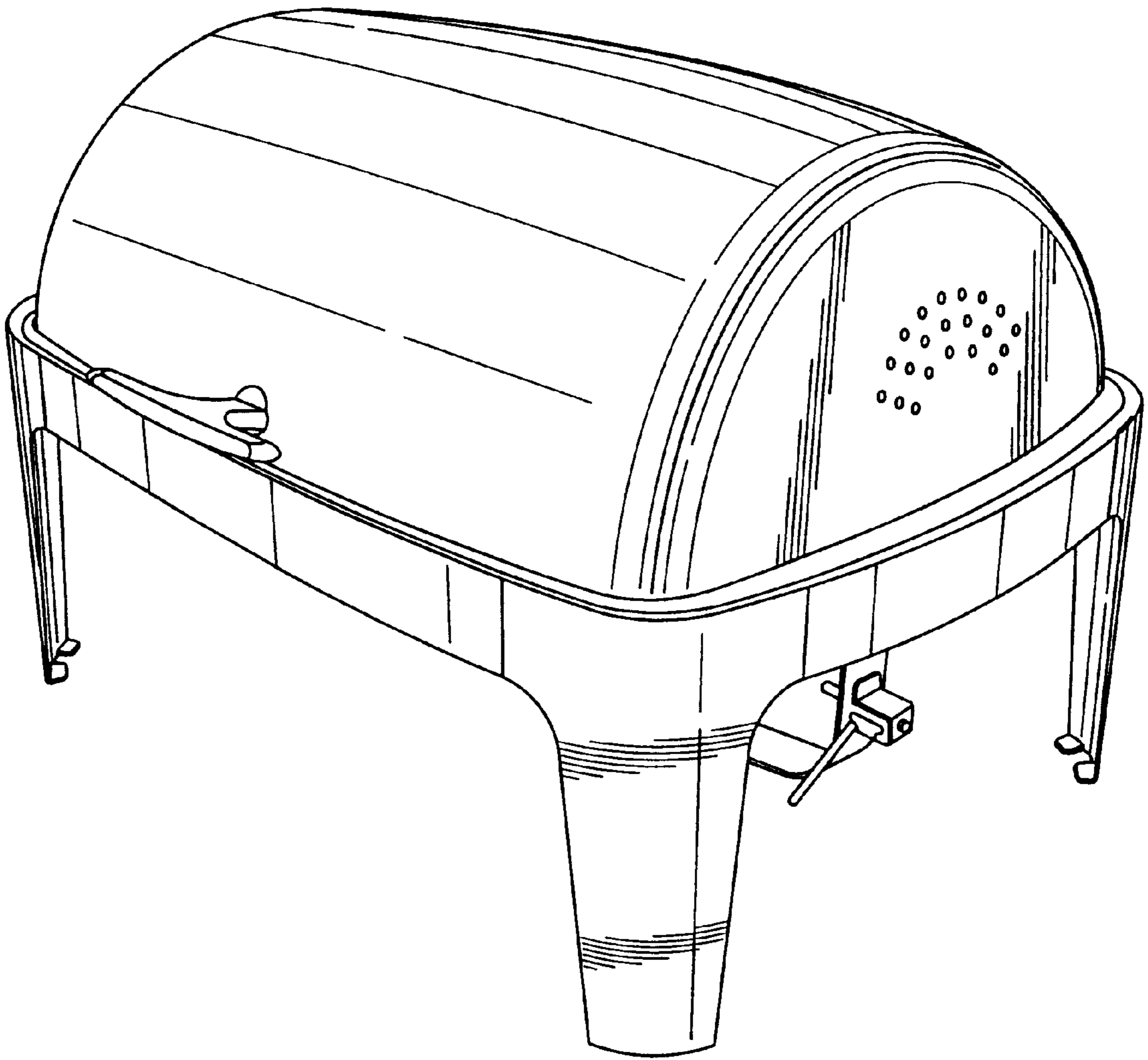


FIG. 1

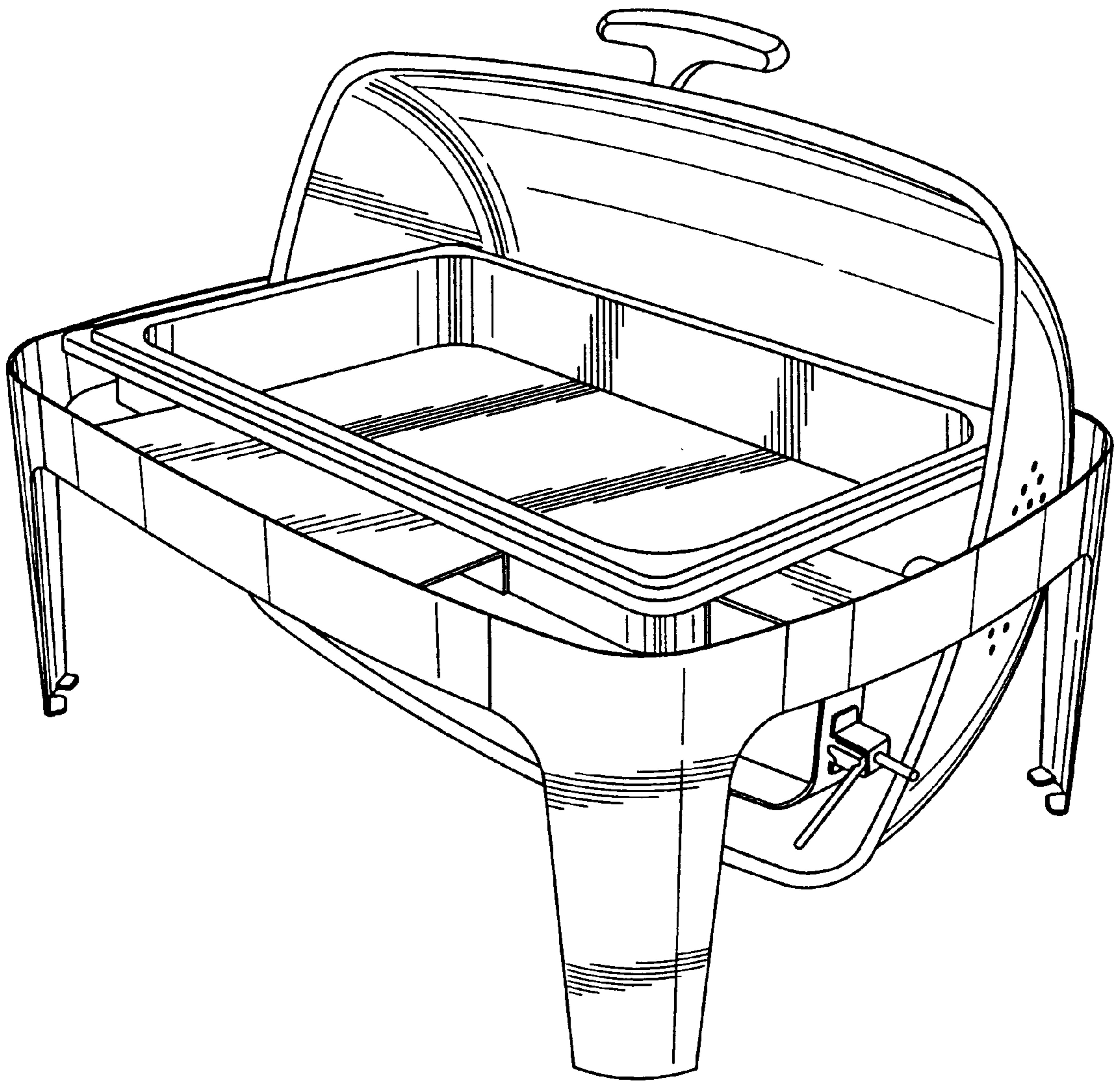


FIG. 2

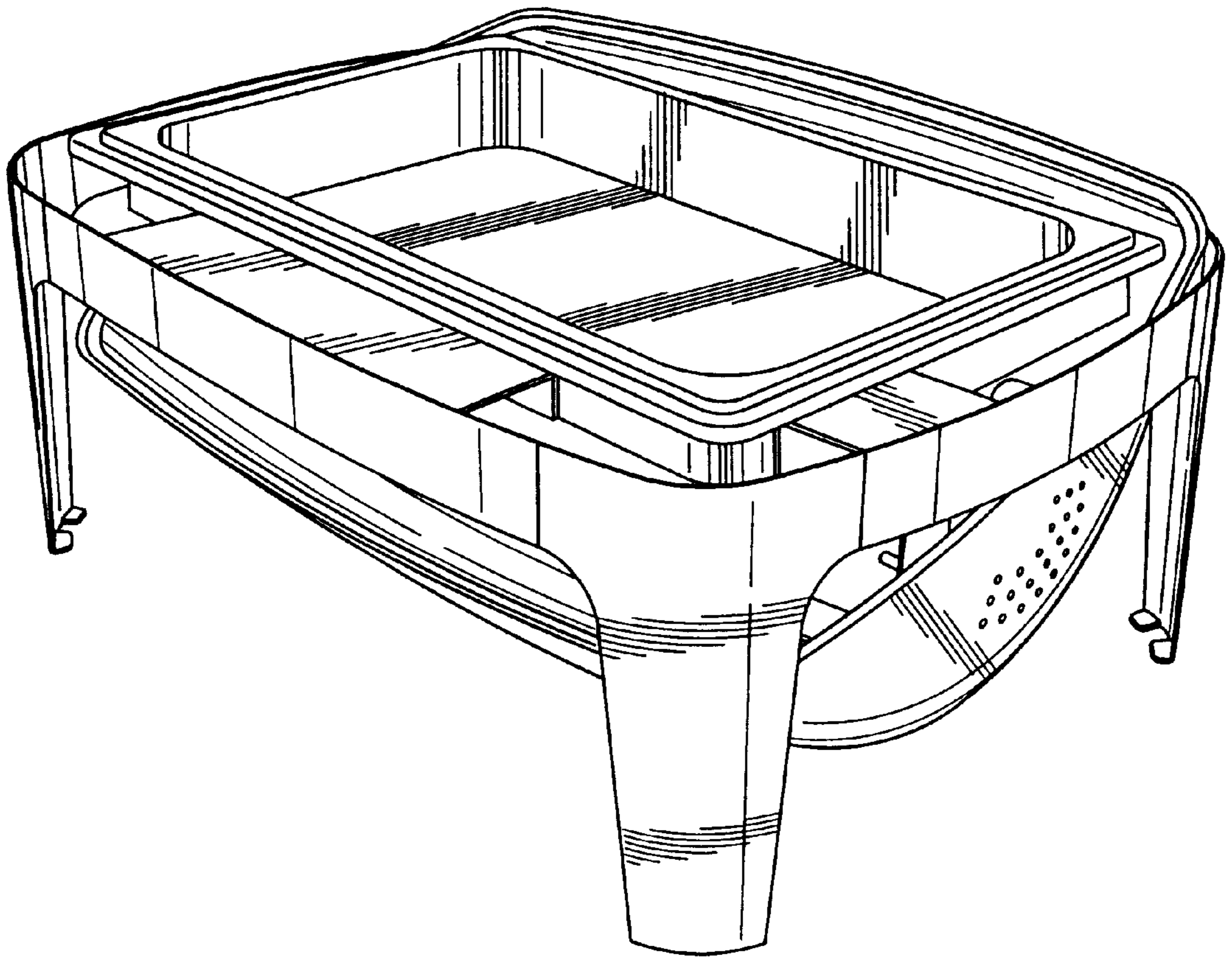


FIG. 3

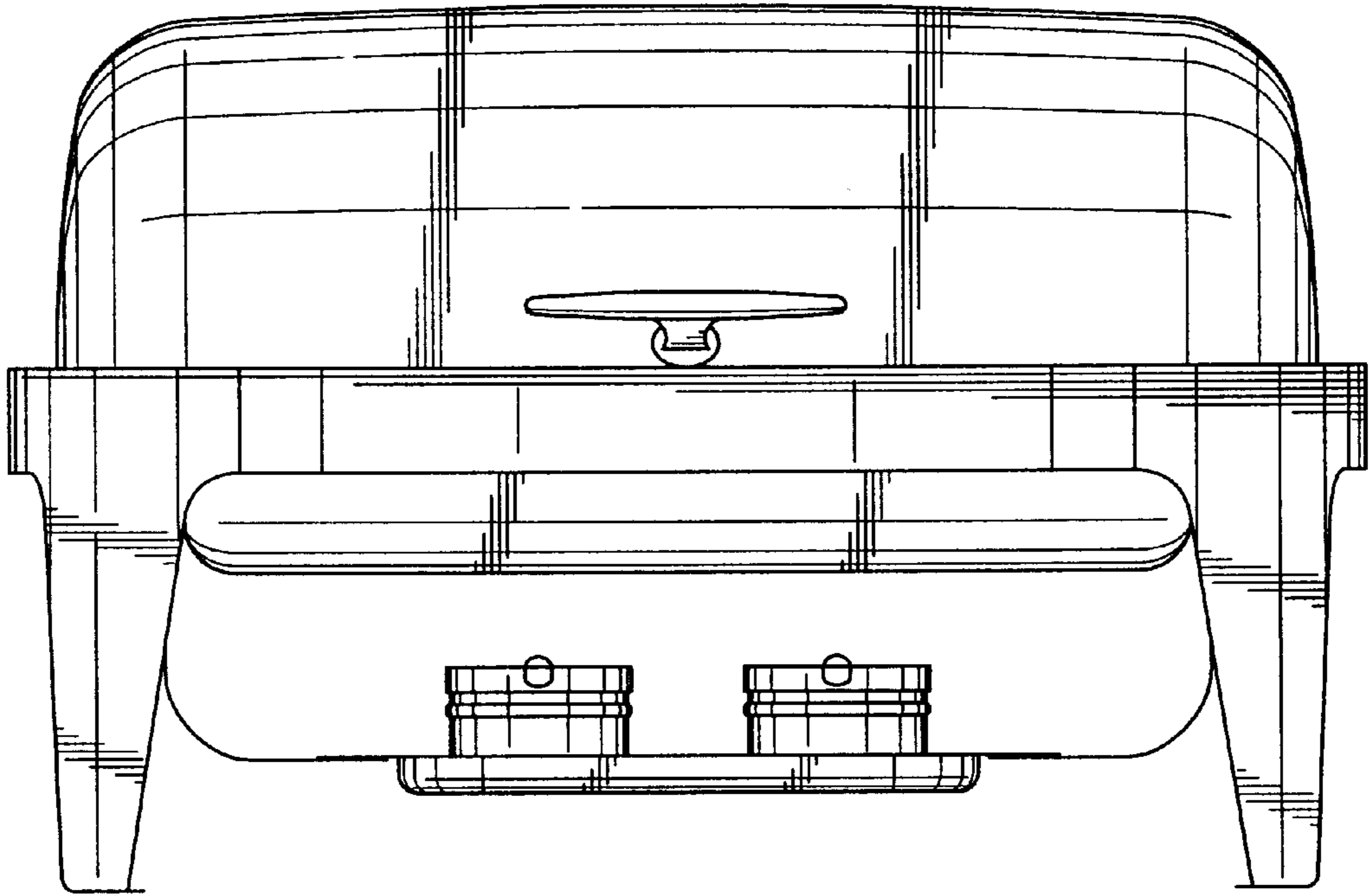


FIG. 4

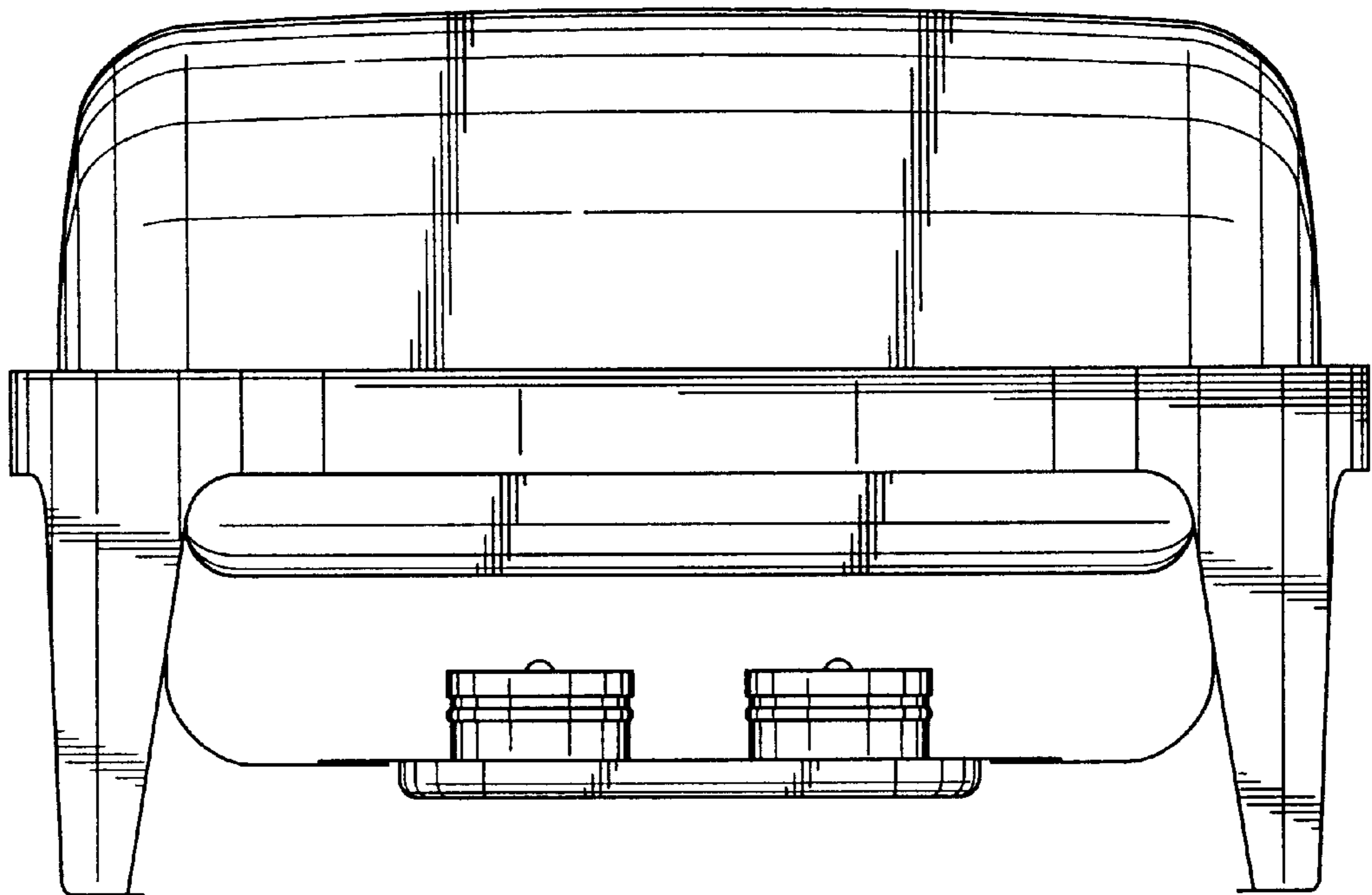


FIG. 5

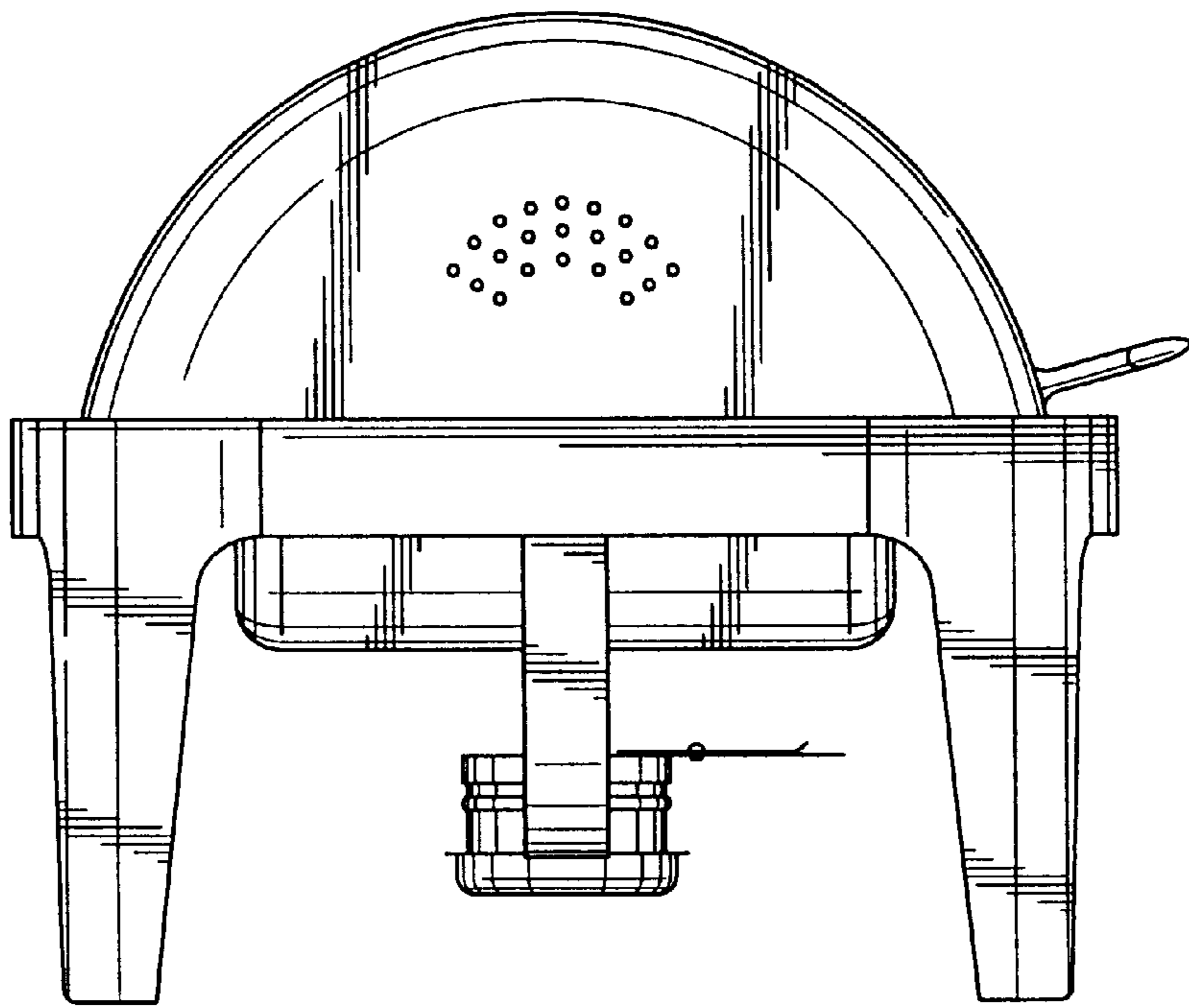


FIG. 6

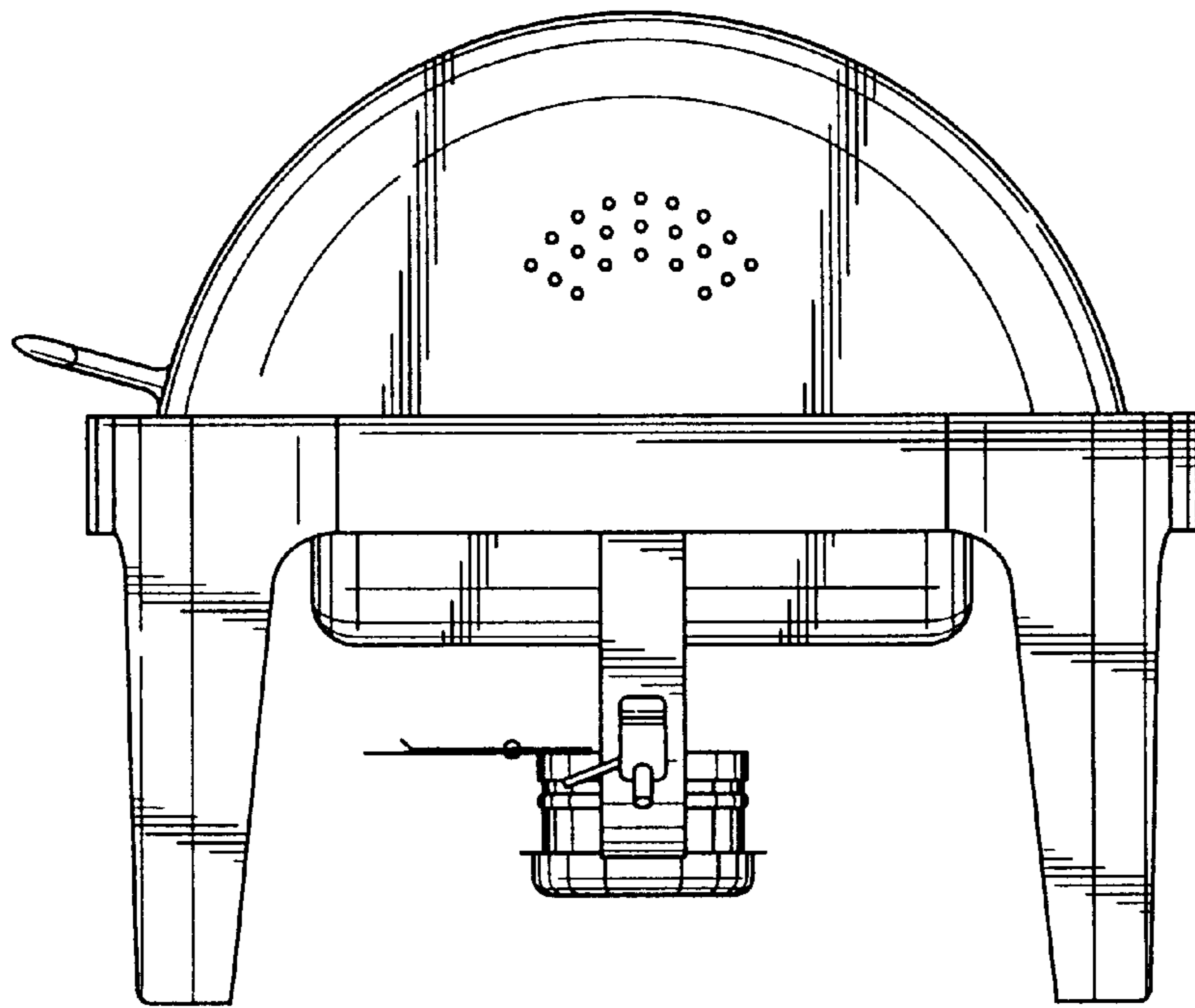


FIG. 7

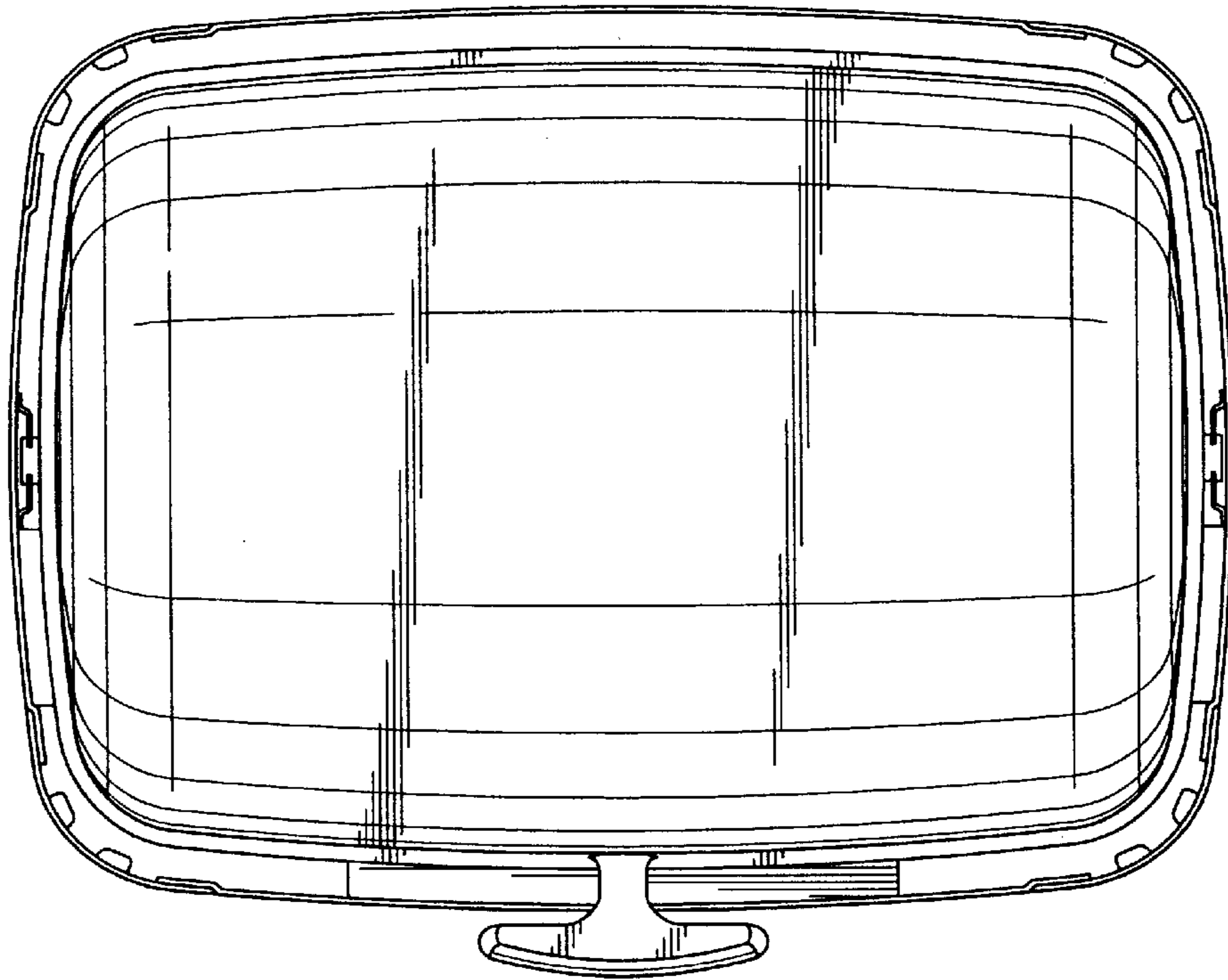


FIG. 8

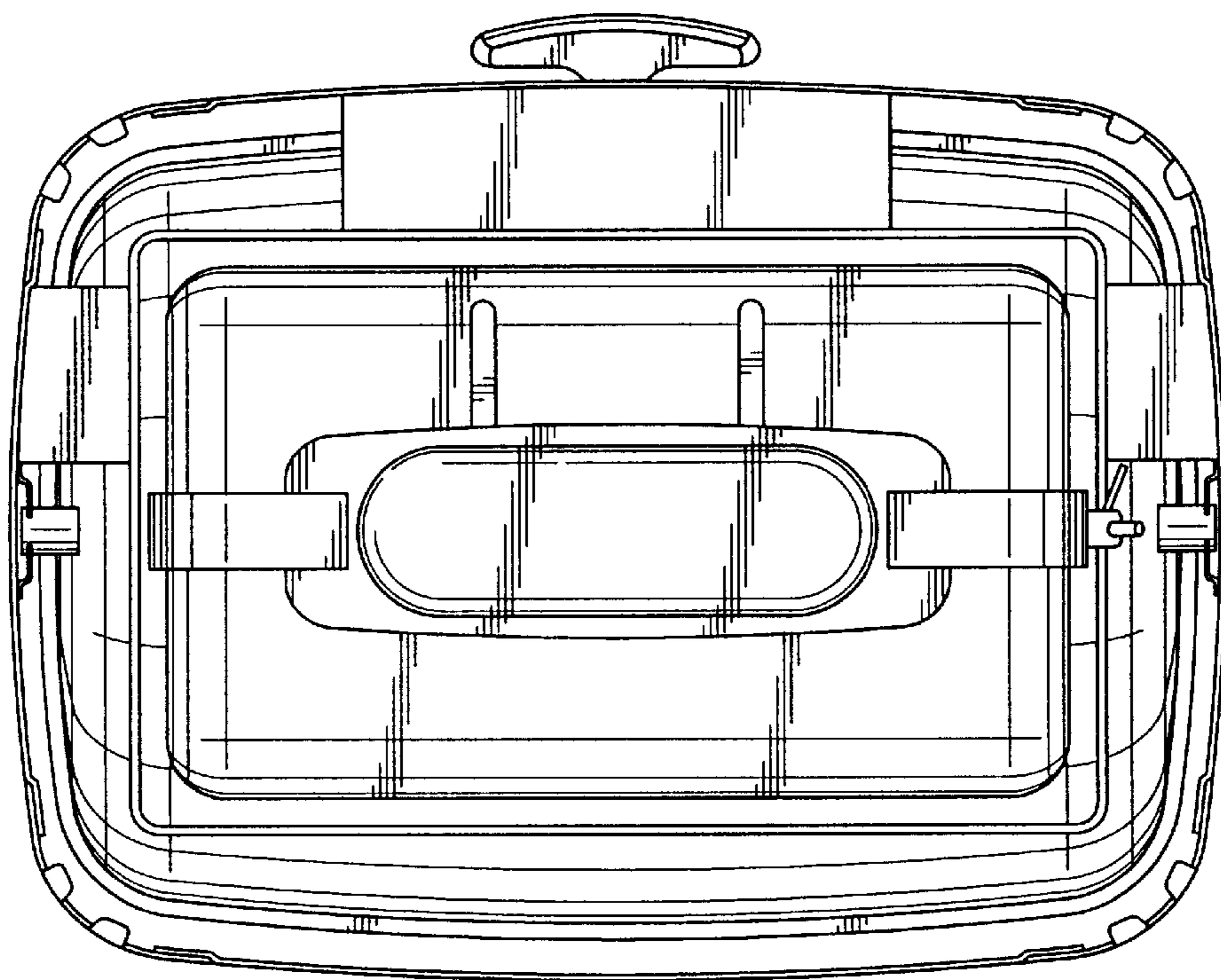


FIG. 9