



US00D434267S

United States Patent [19]
Yu

[11] **Patent Number: Des. 434,267**

[45] **Date of Patent: ** Nov. 28, 2000**

[54] **ROUND CHAFING DISH**

D. 423,278 4/2000 Briner D7/355
6,029,566 2/2000 McLemore 99/400

[75] Inventor: **Henry Tat Ching Yu**, Kowloon, The Hong Kong Special Administrative Region of the People's Republic of China

Primary Examiner—Caron D. Veynar
Attorney, Agent, or Firm—Alix, Yale & Ristas, LLP

[73] Assignee: **Sunnex Products Limited**, Kowloon, China

[57] **CLAIM**

The ornamental design for a round chafing dish, as shown and described.

[**] Term: **14 Years**

DESCRIPTION

[21] Appl. No.: **29/117,556**

FIG. 1 is a perspective view of the round chafing dish showing my new design;

[22] Filed: **Jan. 27, 2000**

FIG. 2 is a perspective view of the round chafing dish of FIG. 1 with a roll top thereof semi-opened;

[51] **LOC (7) Cl.** **07-02**

[52] **U.S. Cl.** **D7/355**

[58] **Field of Search** D7/323, 354-361, D7/366; 99/324, 400, 401, 446, 447; 126/261, 41 R; 219/385, 386, 620, 621, 622, 429, 438; 220/573.1, 252

FIG. 3 is a perspective view of the round chafing dish of FIG. 1 with a roll top thereof fully opened;

FIG. 4 is a front view of the round chafing dish of FIG. 1;

FIG. 5 is a rear view of the round chafing dish of FIG. 1;

FIG. 6 is a left side view of the round chafing dish of FIG. 1;

FIG. 7 is a right side view of the round chafing dish of FIG. 1;

FIG. 8 is a top plan view of the round chafing dish of FIG. 1; and,

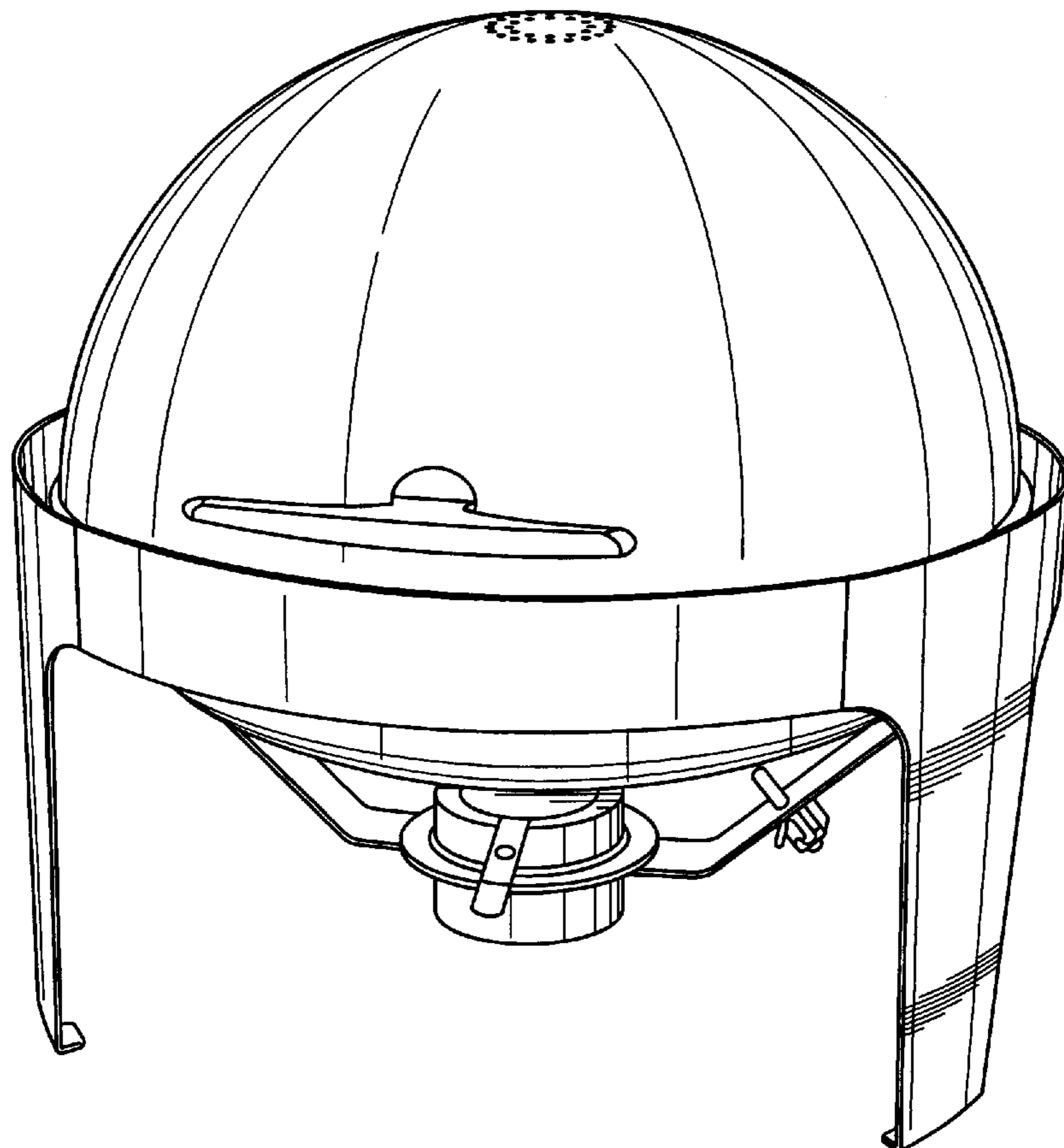
FIG. 9 is a bottom plan view of the round chafing dish of FIG. 1.

[56] **References Cited**

U.S. PATENT DOCUMENTS

D. 39,229	3/1908	Nelson	D7/355
D. 318,975	8/1991	Thurlow	D7/355
D. 365,724	1/1996	Yu	D7/355
D. 369,507	5/1996	Tinius	D7/355
D. 401,806	12/1998	Benz	D7/355

1 Claim, 6 Drawing Sheets



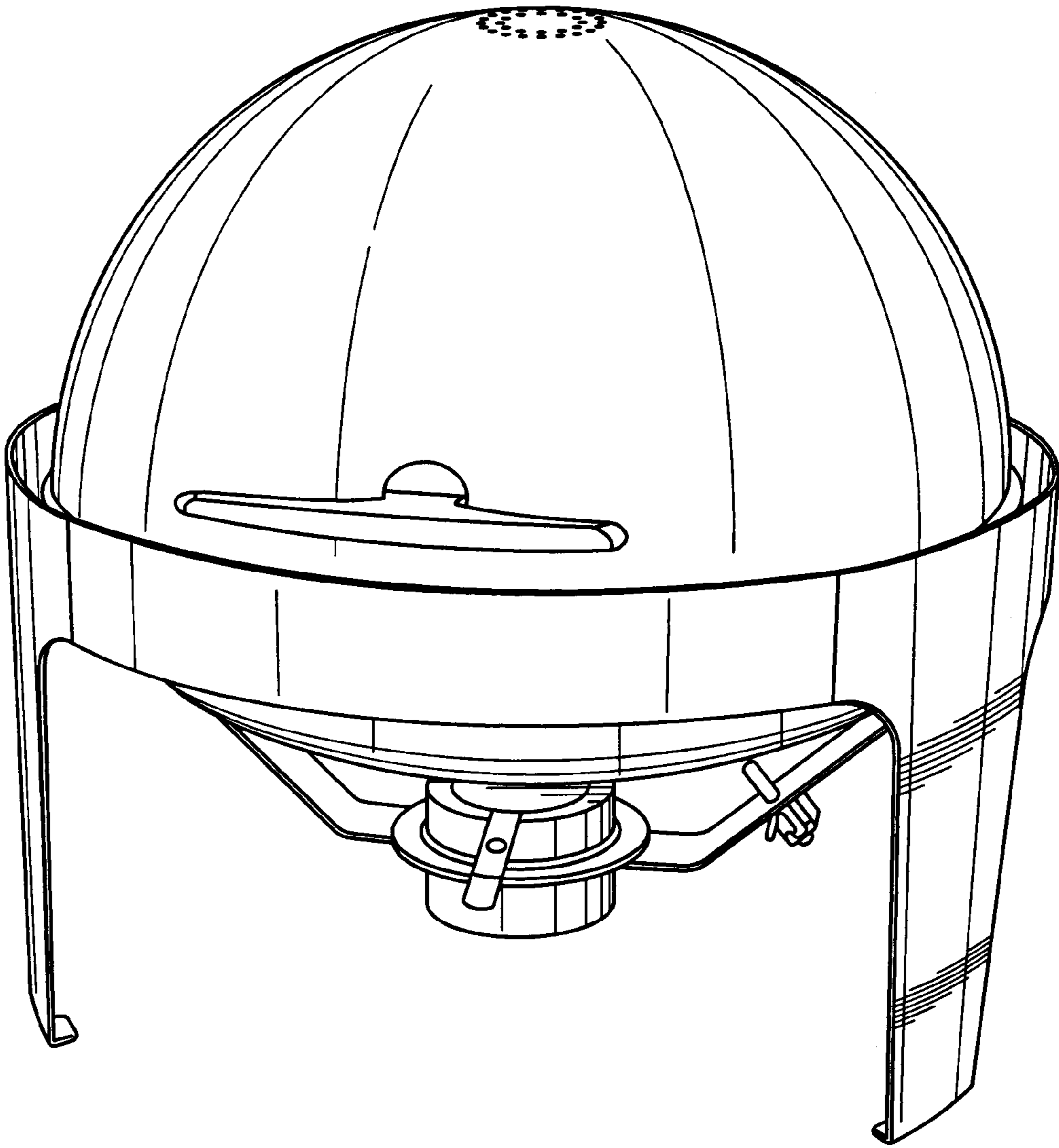


FIG. 1

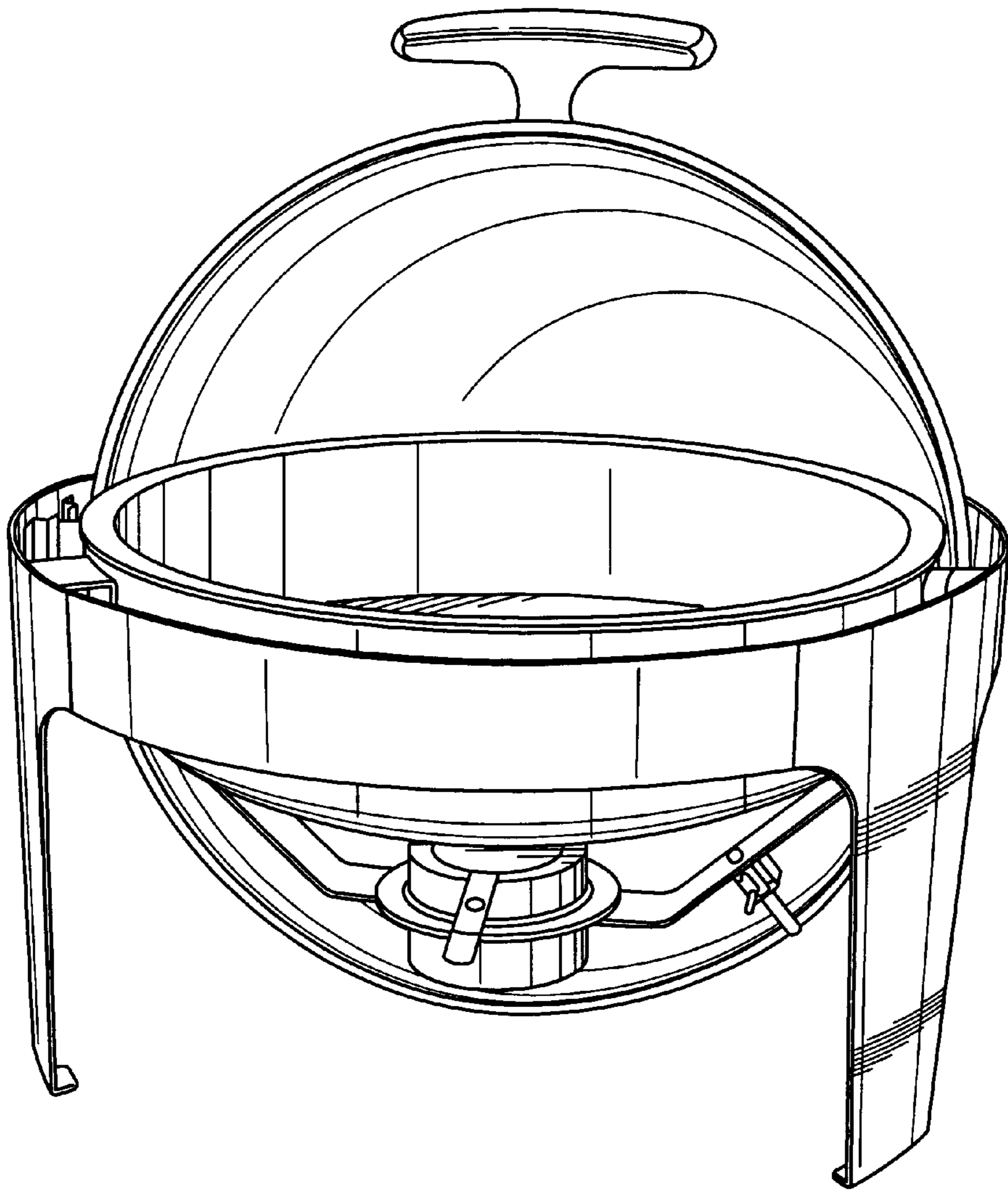


FIG. 2

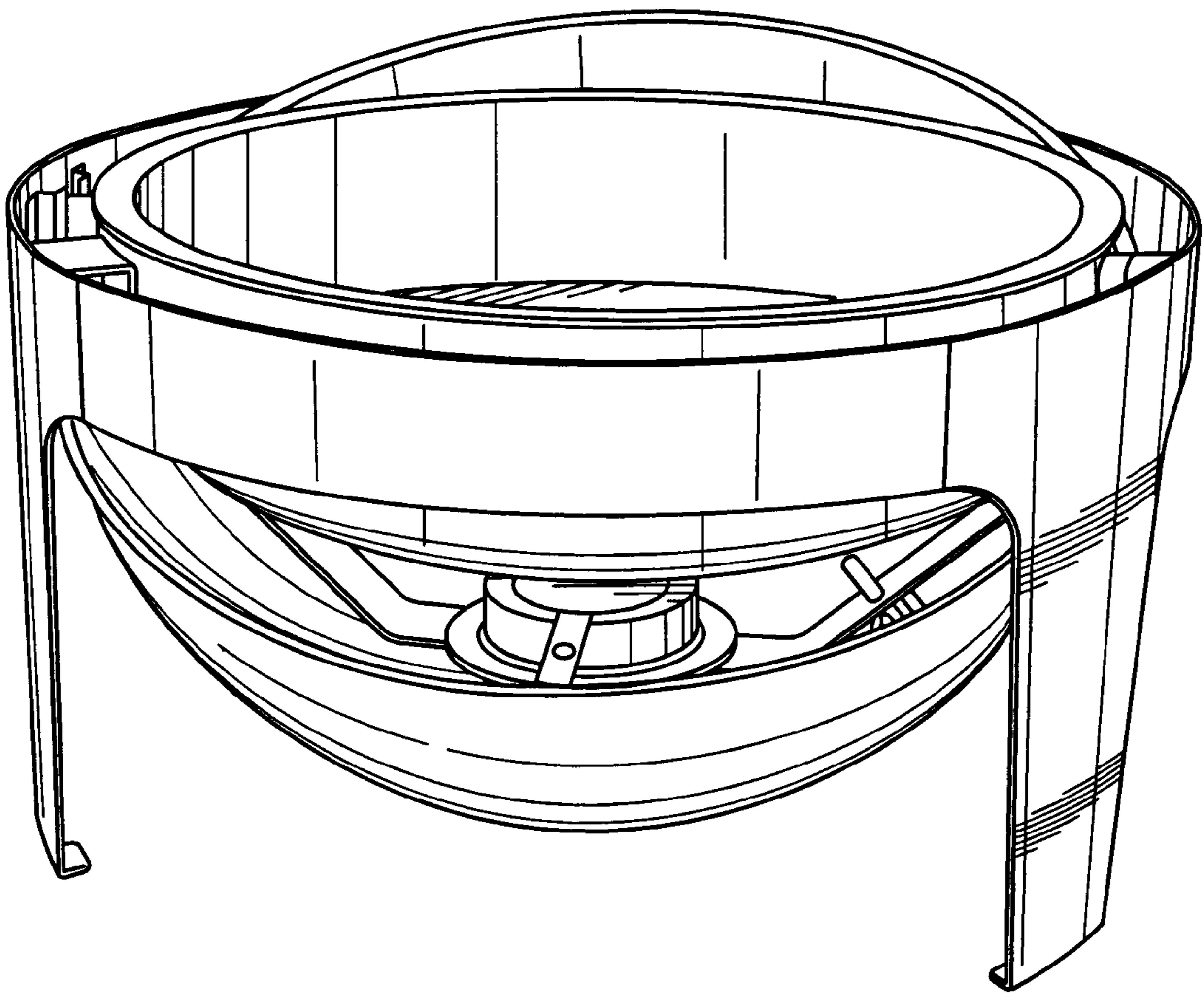


FIG. 3

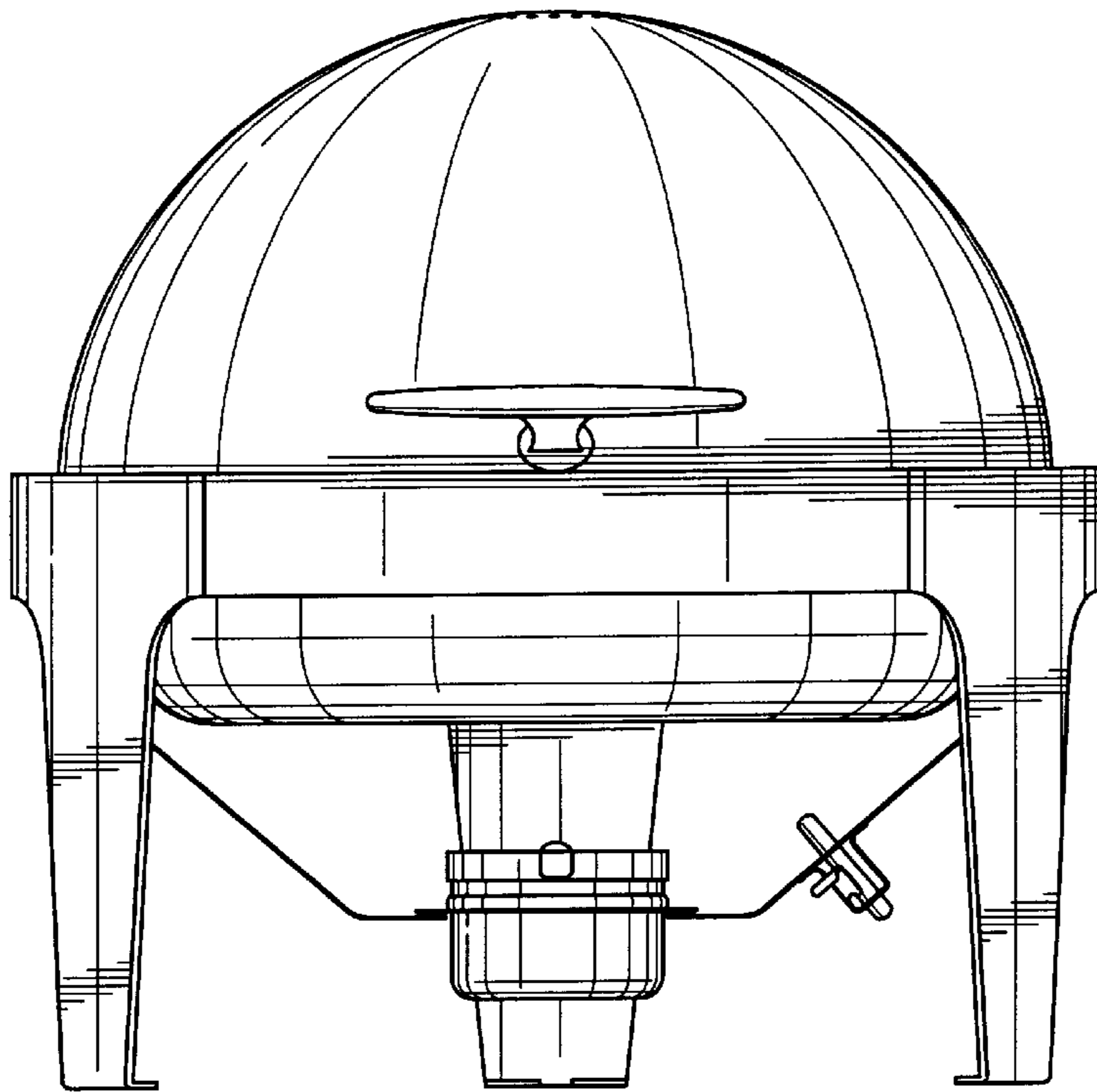


FIG. 4

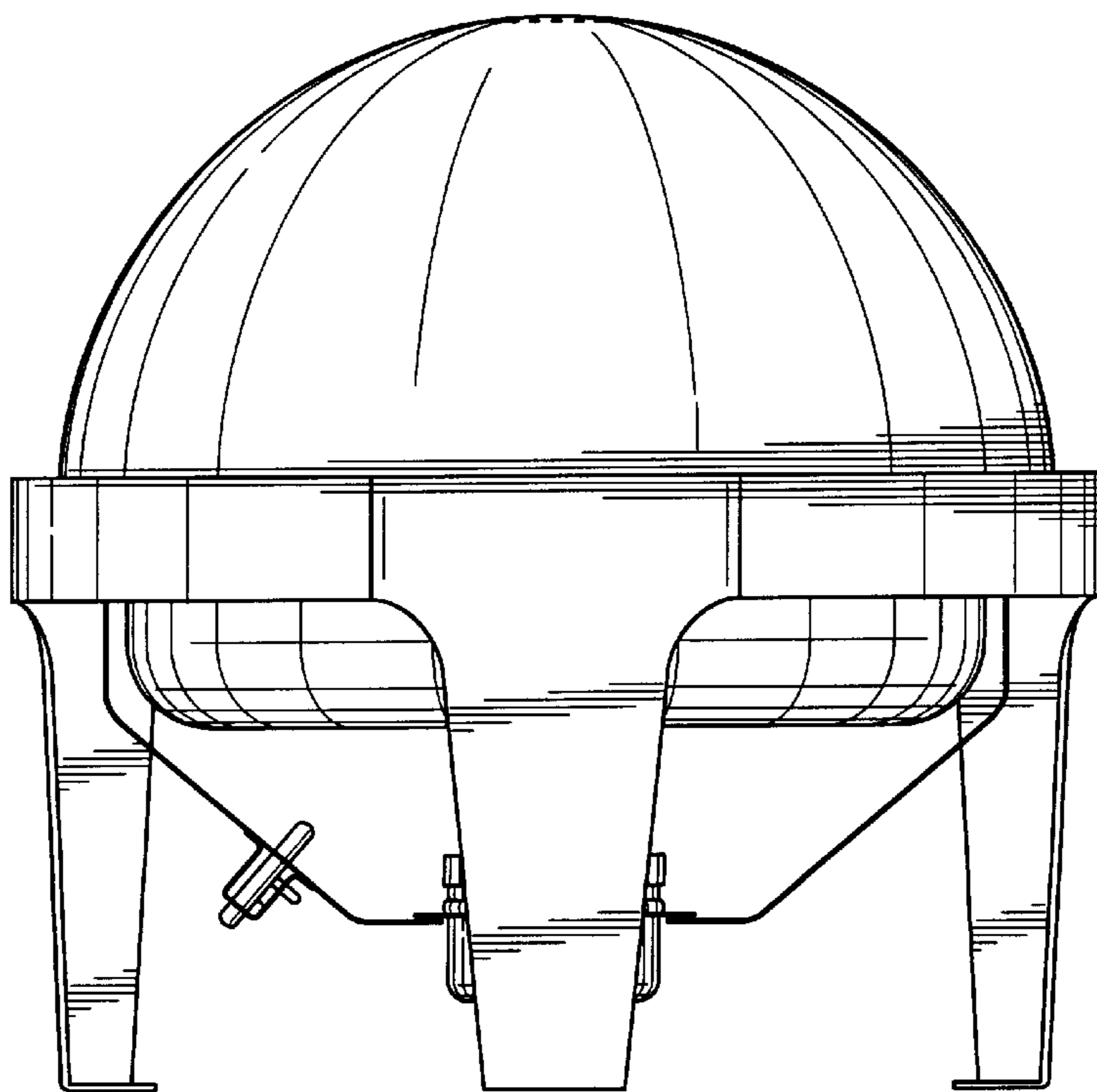


FIG. 5

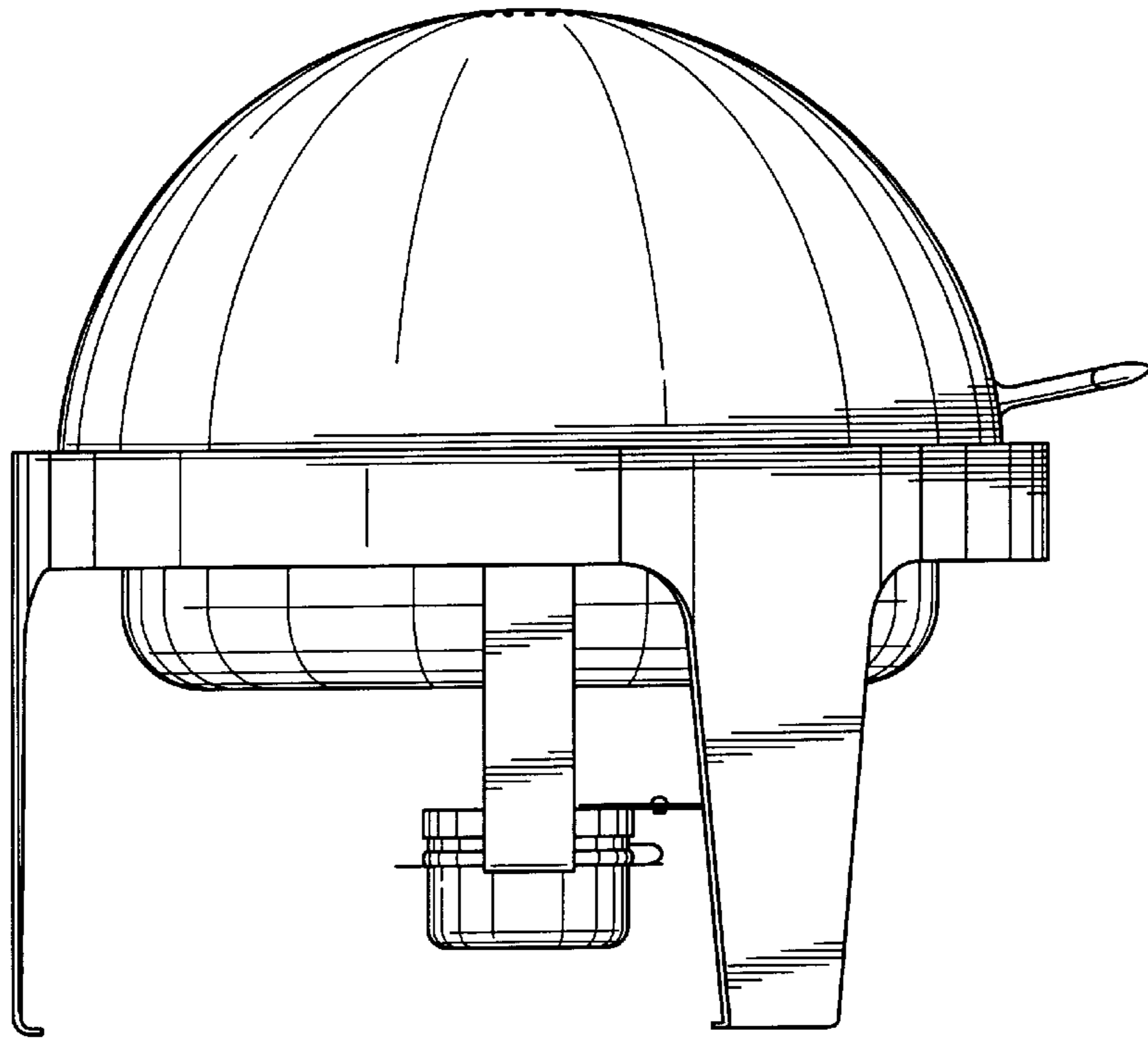


FIG. 6

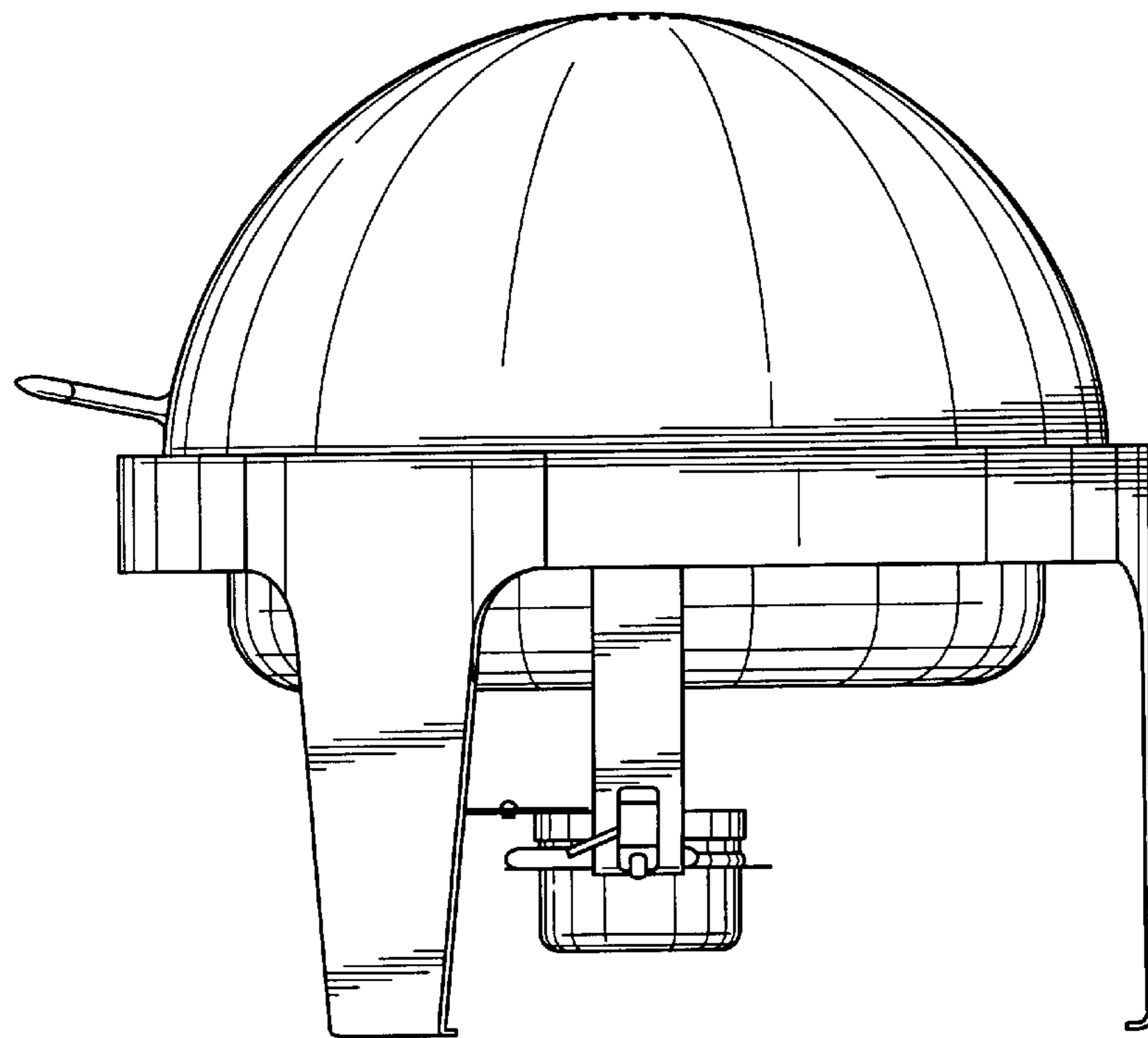


FIG. 7

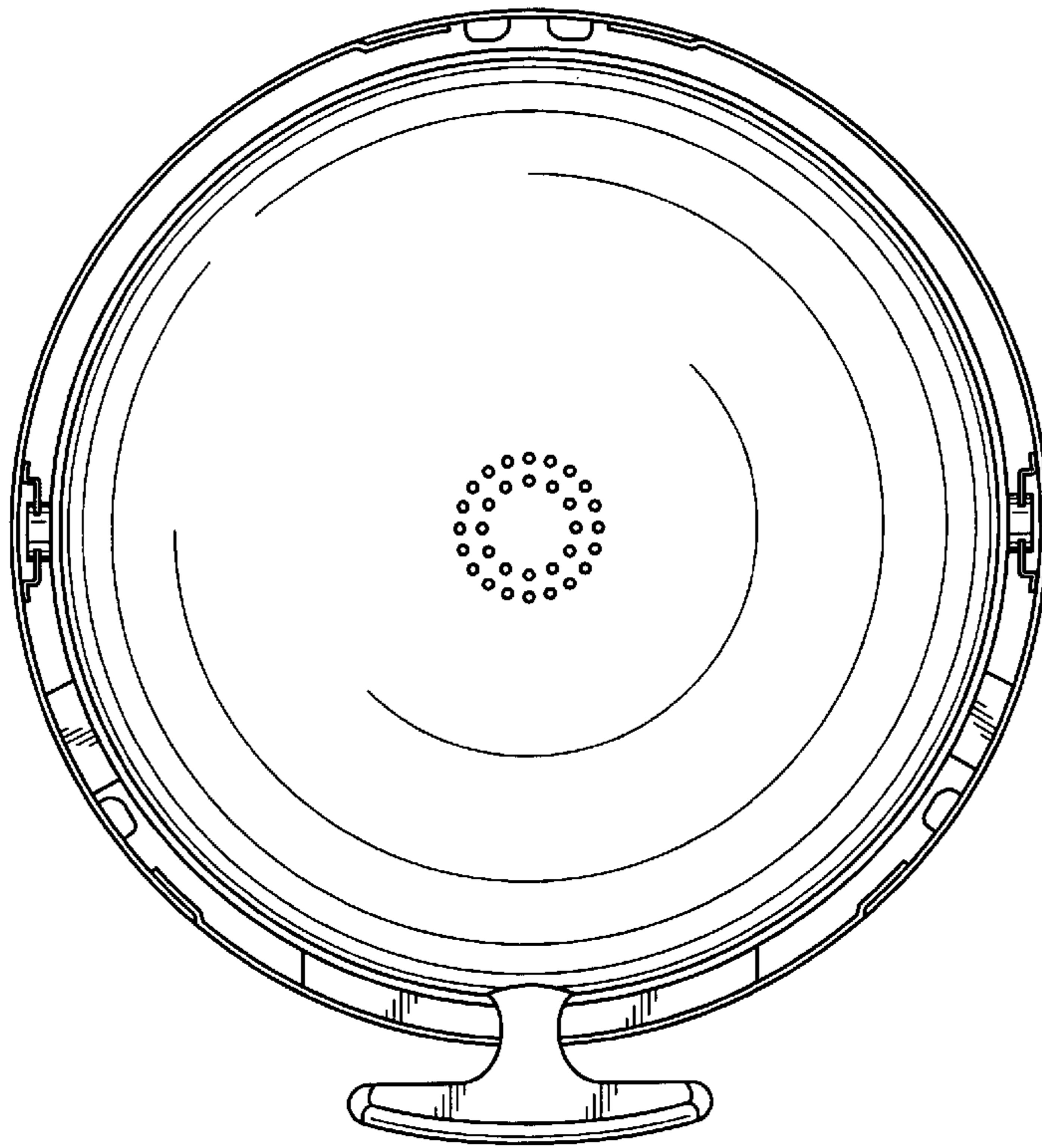


FIG. 8

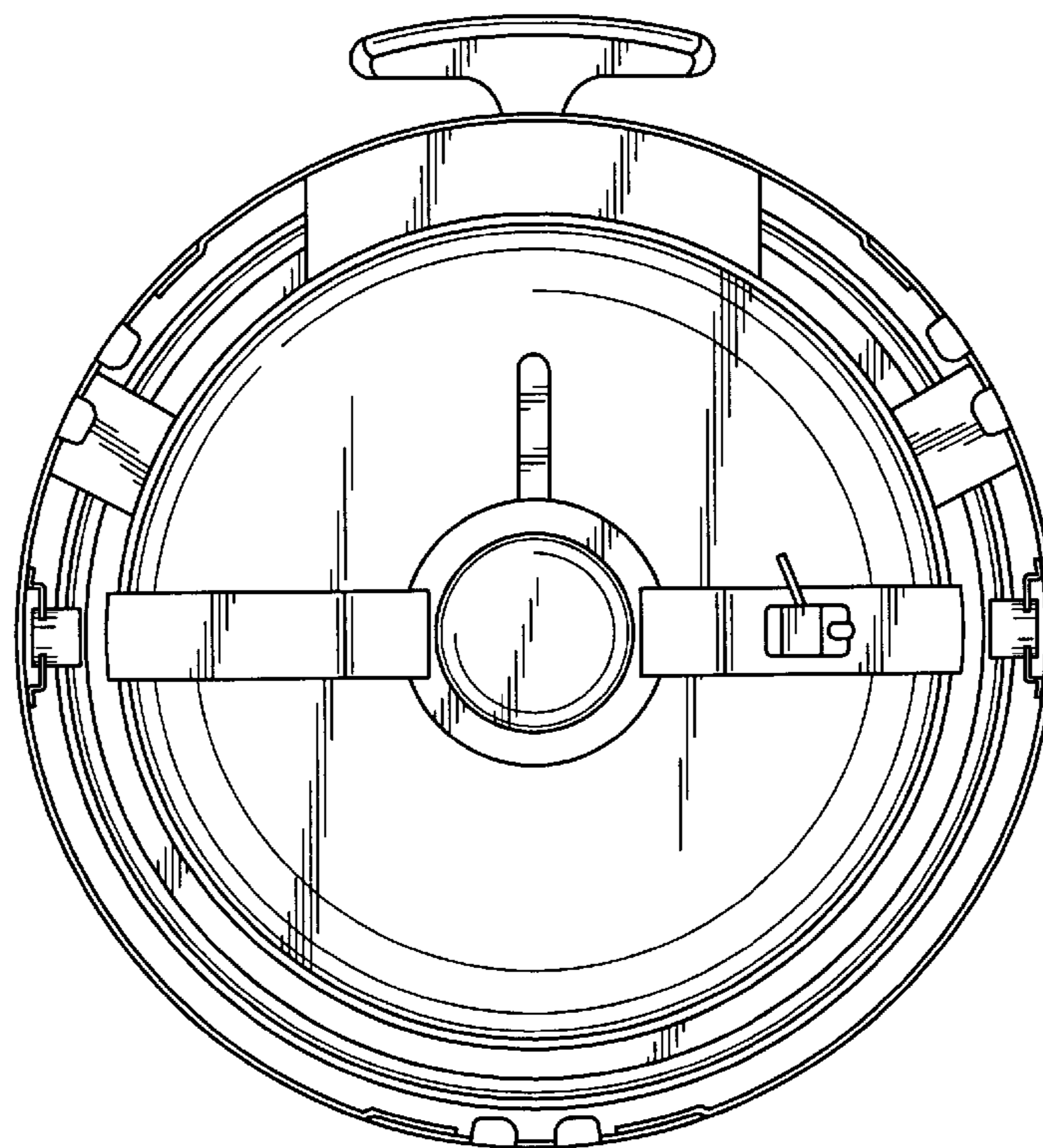


FIG. 9