

US00D434265S

United States Patent [19]

[11] Patent Number: Des. 434,265

Tatlow

[45] Date of Patent: ** Nov. 28, 2000

[54] PORTABLE COOKING SET

DESCRIPTION

[75] Inventor: Douglas Tatlow, Fort Saskatchewan, Canada

FIG. 1 is a perspective view of the components of the portable cooking set.

[73] Assignee: Flashpan Incorporated, Red Deer, Canada

FIG. 2 is a perspective view of a cooking unit for the portable cooking set illustrated in FIG. 1.

[**] Term: 14 Years

FIG. 3 is a top plan view of the cooking unit.

[21] Appl. No.: 29/109,421

FIG. 4 is a right side elevation view of the cooking unit.

[22] Filed: Aug. 13, 1999

FIG. 5 is a left side elevation view of the cooking unit.

[30] Foreign Application Priority Data

FIG. 6 is a bottom plan view of the cooking unit.

May 5, 1999 [CA] Canada 1999-1108

FIG. 7 is a front elevation view of the cooking unit.

[51] LOC (7) Cl. 07-02

FIG. 8 is a rear elevation view of the cooking unit.

[52] U.S. Cl. D7/354; D7/323

FIG. 9 is a top plan view of a shallow pan for the portable cooking set illustrated in FIG. 1.

[58] Field of Search D7/323, 354-361, D7/300, 309, 310, 391-392.1; 99/324, 339; 126/1 R, 38, 350 R, 25 R, 29

FIG. 10 is a bottom plan view of the shallow pan.

[56] References Cited

FIG. 11 is a side elevation view of the shallow pan, the other side being a mirror image.

U.S. PATENT DOCUMENTS

D. 149,518	5/1948	Rendler	D7/356
D. 247,539	3/1978	Mizoguchi	D7/352
D. 260,721	9/1981	Terzian	D7/357
D. 314,307	2/1991	Bush	D7/505
D. 363,002	10/1995	Douglas	D7/354 X
D. 369,271	4/1996	Doumeng	D7/357
3,080,861	3/1963	Amero	126/38
3,978,844	9/1976	Wilkens	126/38
4,191,173	3/1980	Dedeian et al.	126/350
4,512,328	4/1985	Arad	126/37
5,690,094	11/1997	Sheinfeld et al.	126/350

FIG. 12 is an end elevation view of the shallow pan, the other end being a mirror image.

FIG. 13 is a top plan view of a deep pan for the portable cooking set illustrated in FIG. 1.

FIG. 14 is a bottom plan view of the deep pan.

FIG. 15 is a side elevation view of the deep pan, the other side being a mirror image.

FIG. 16 is an end elevation view of the deep pan, the other end being a mirror image.

FIG. 17 is a top plan view of a lid for the portable cooking set illustrated in FIG. 1.

FIG. 18 is a bottom plan view of the lid.

FIG. 19 is a side elevation view of the lid, the other side being a mirror image.

FIG. 20 is an end elevation view of the lid, the other end being a mirror image.

FIG. 21 is a top plan view of a coffee pot for the portable cooking set illustrated in FIG. 1.

FIG. 22 is a bottom plan view of the coffee pot.

FIG. 23 is a side elevation view of the coffee pot, the other side being a mirror image; and,

FIG. 24 is an end elevation view of the coffee pot, the other end being a mirror image.

Primary Examiner—Caron D. Veynar

Attorney, Agent, or Firm—Christensen O'Connor Johnson Kindness PLLC

Each article of the portable cooking set shown in FIG. 1 is fully disclosed separately, in FIGS. 2-8 and 13-24, for ease of illustration. The shallow pan inside the cooking unit shown in FIGS. 1-8 is taken out and shown separately for ease of illustration in FIGS. 9-12.

[57] CLAIM

The ornamental design for a portable cooking set, as shown and described.

1 Claim, 8 Drawing Sheets

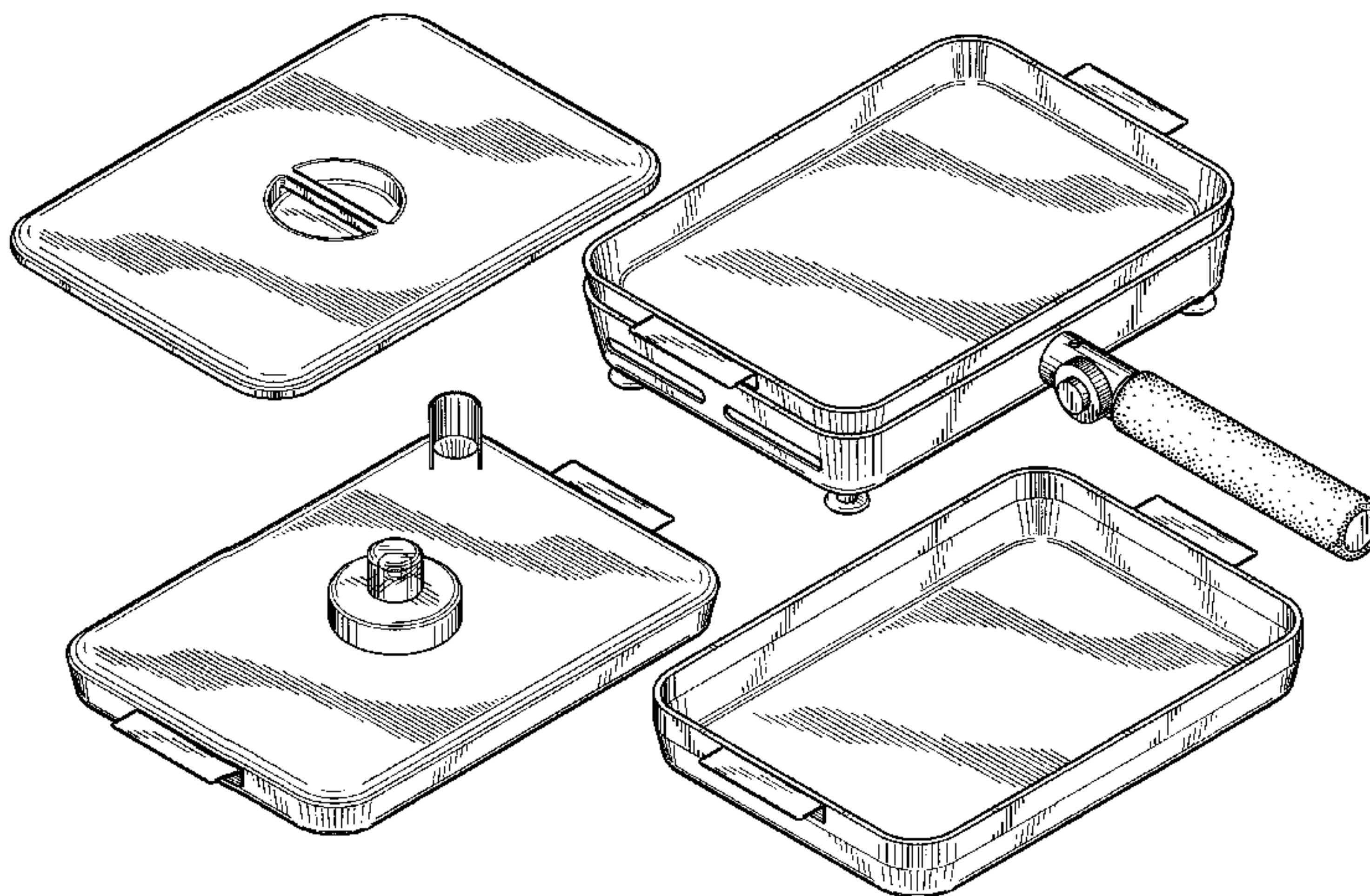
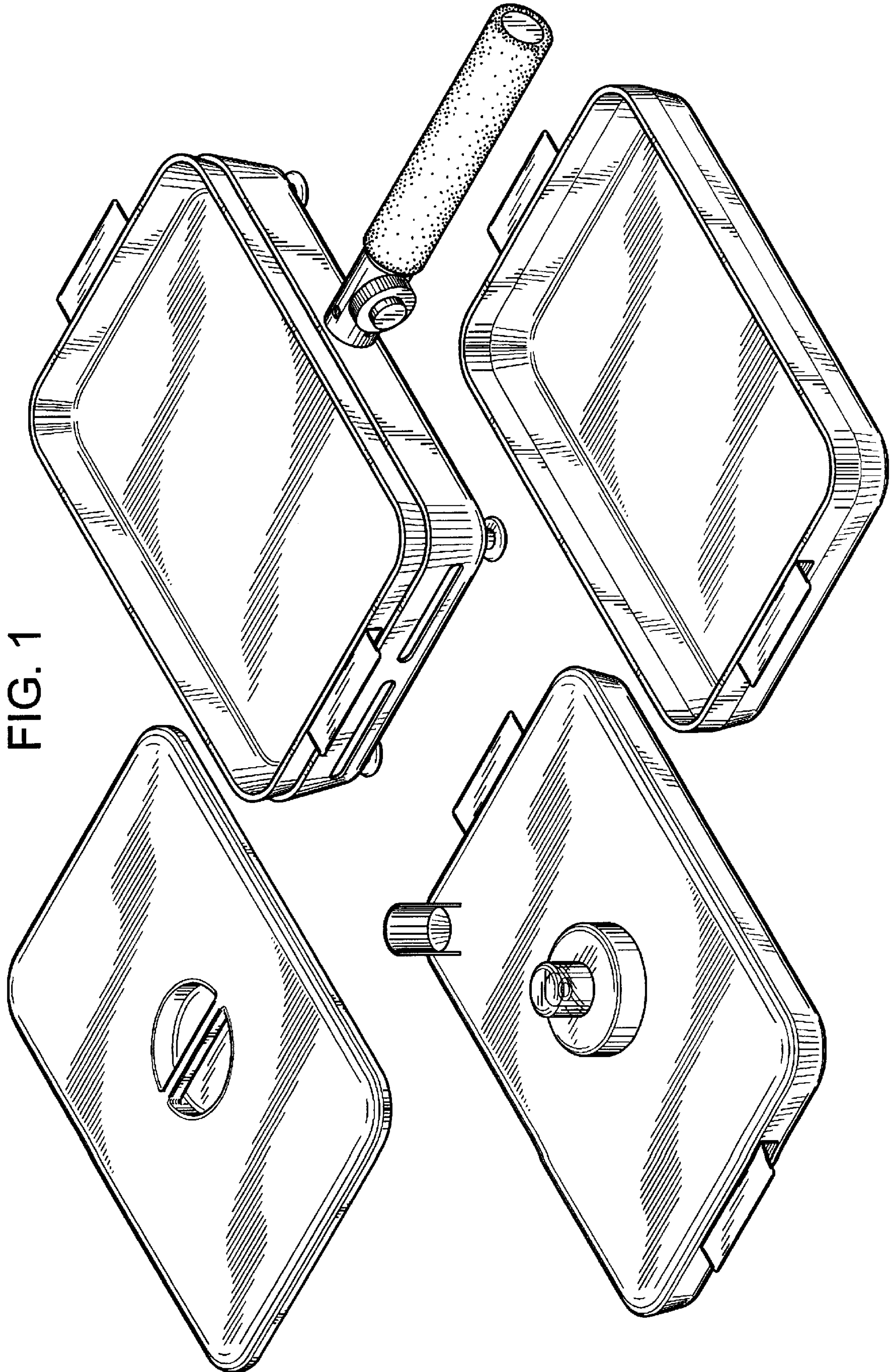


FIG. 1



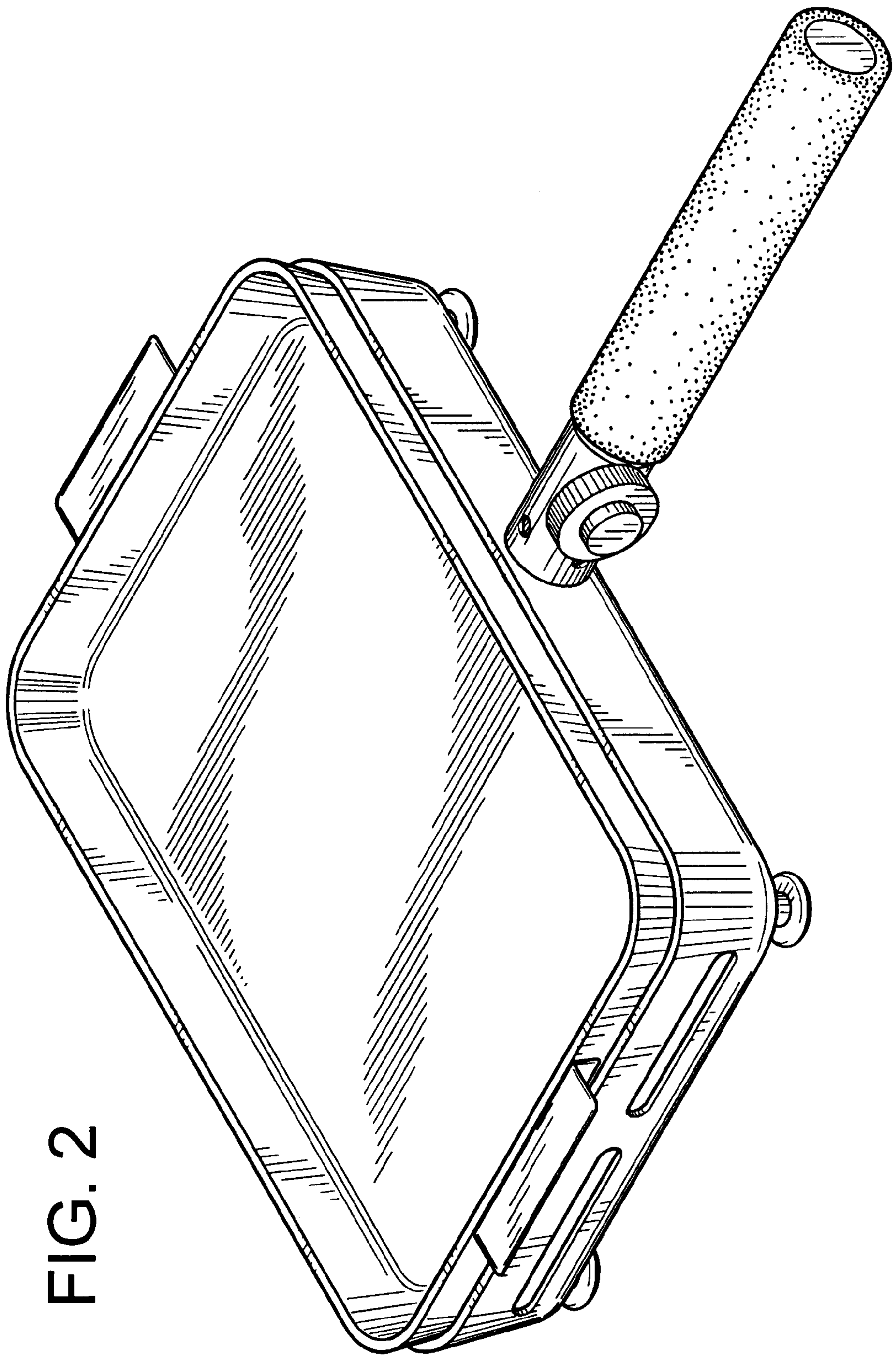


FIG. 2

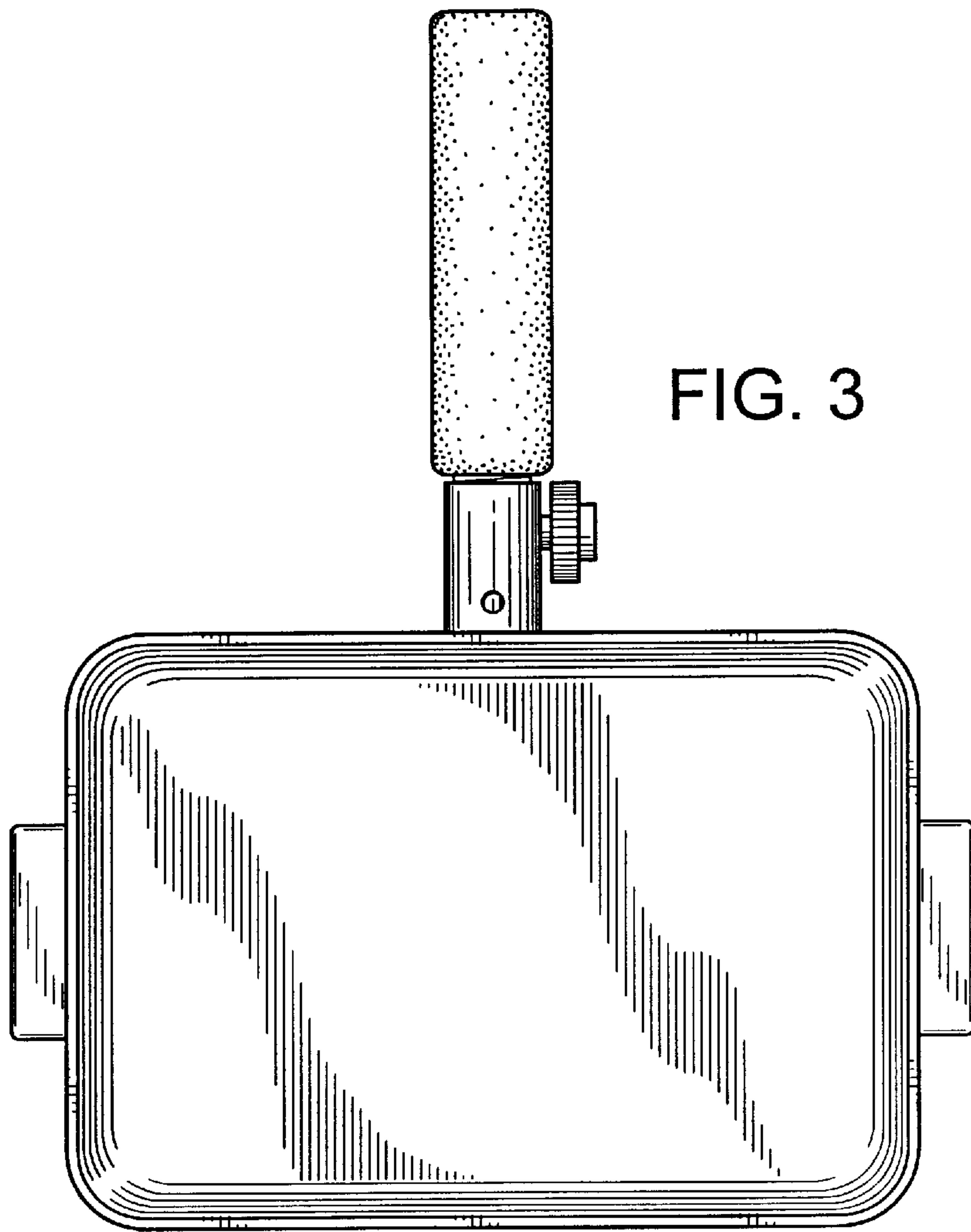


FIG. 3

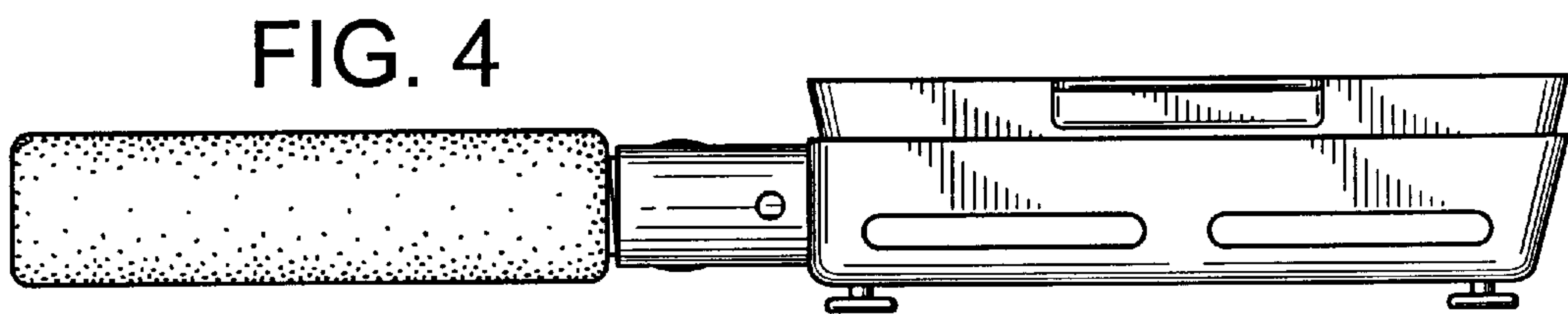


FIG. 4

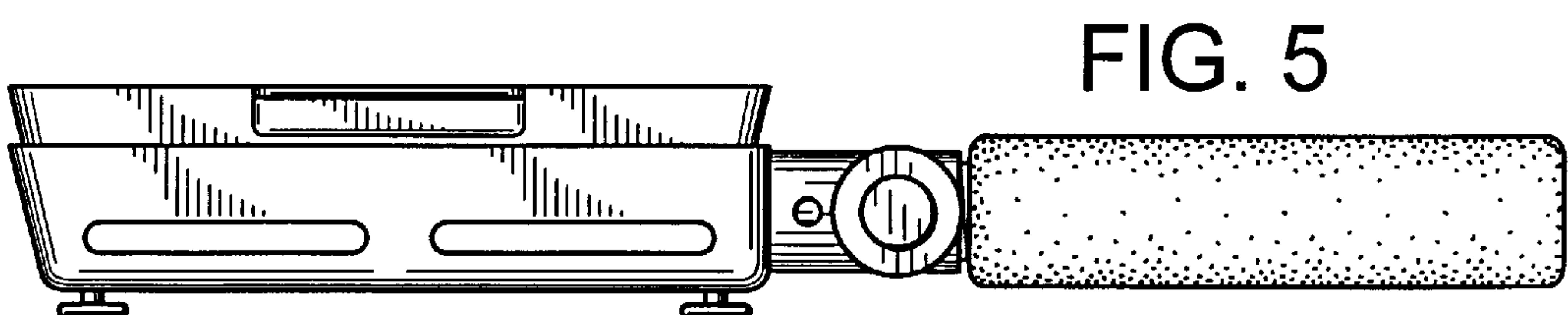


FIG. 5

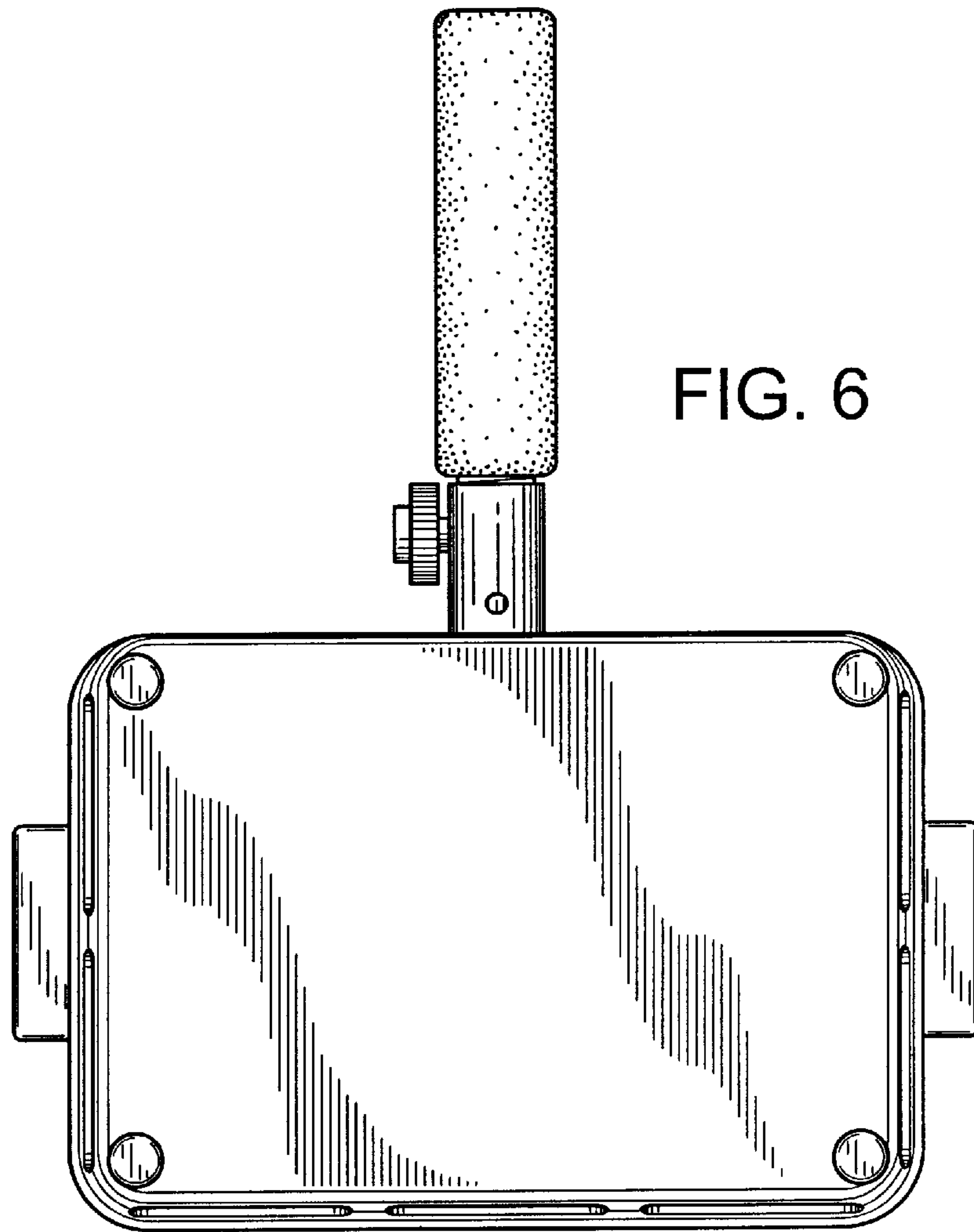


FIG. 7

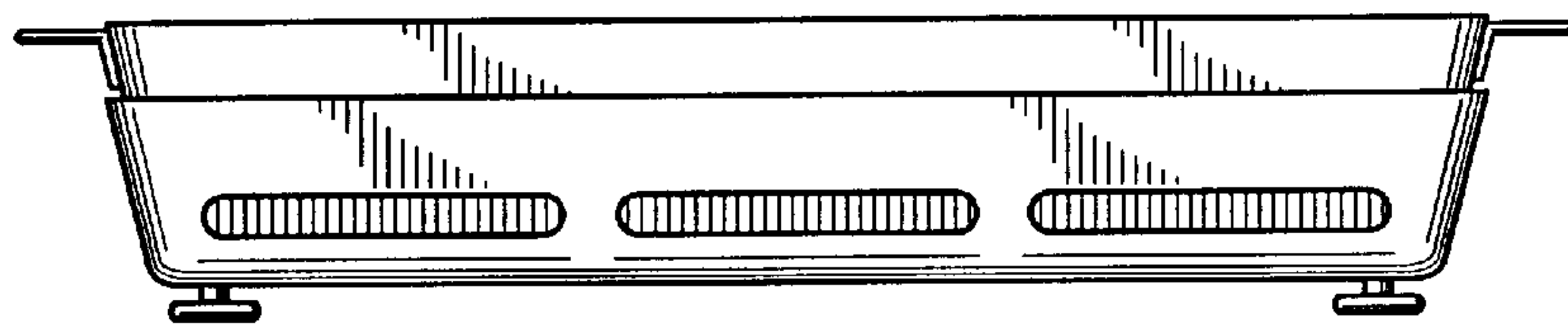
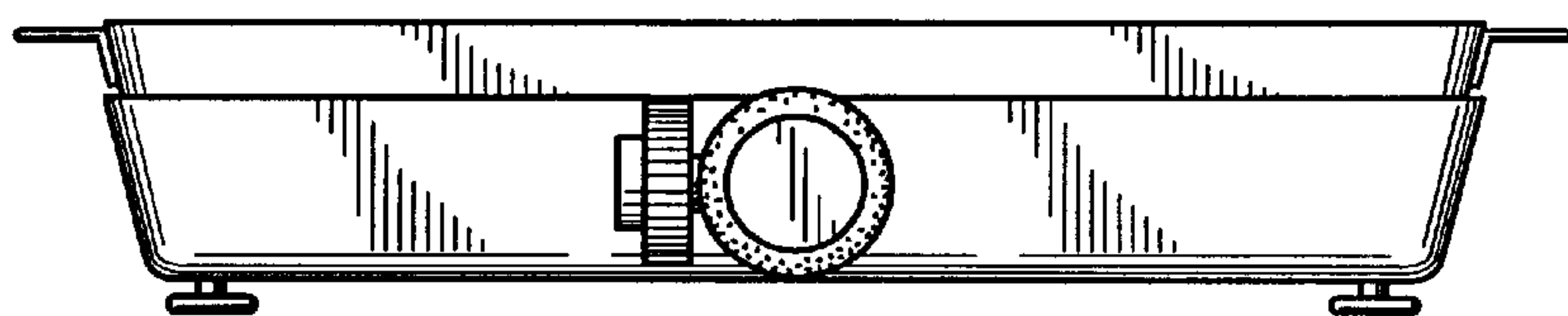


FIG. 8



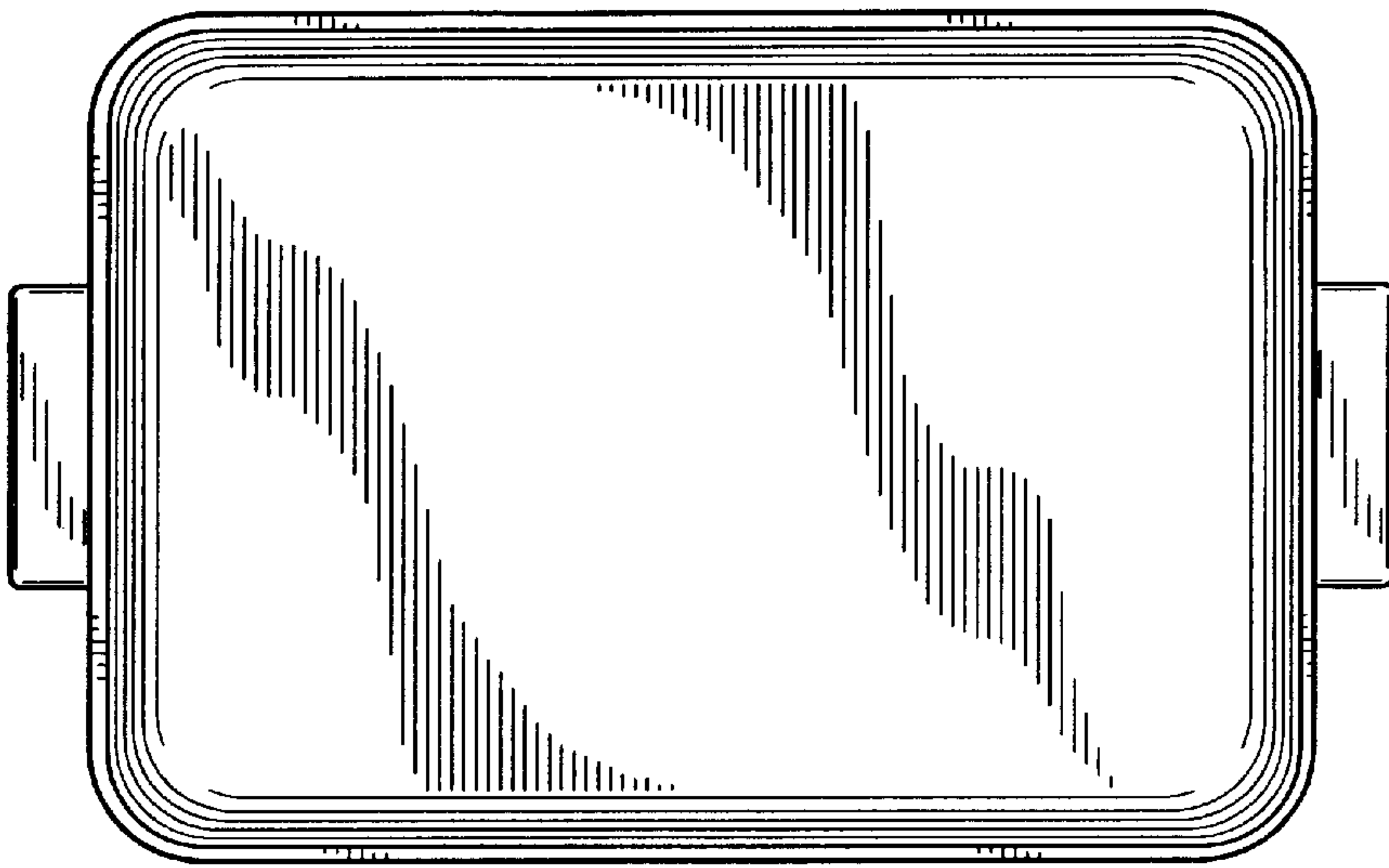


FIG. 9

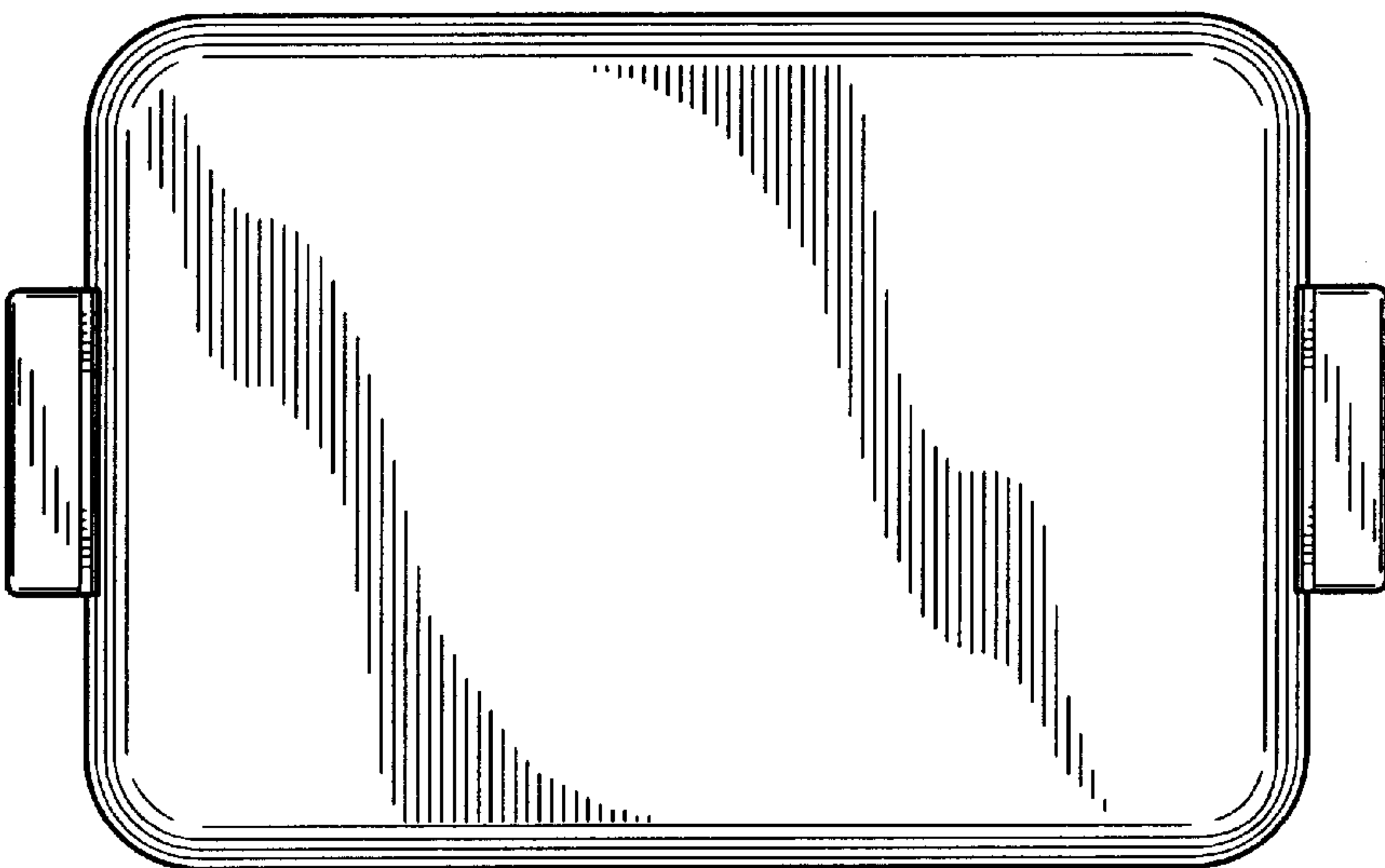


FIG. 10



FIG. 11

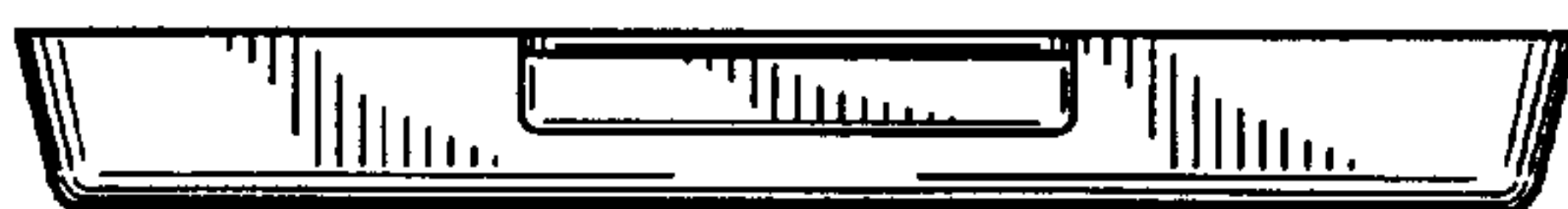


FIG. 12

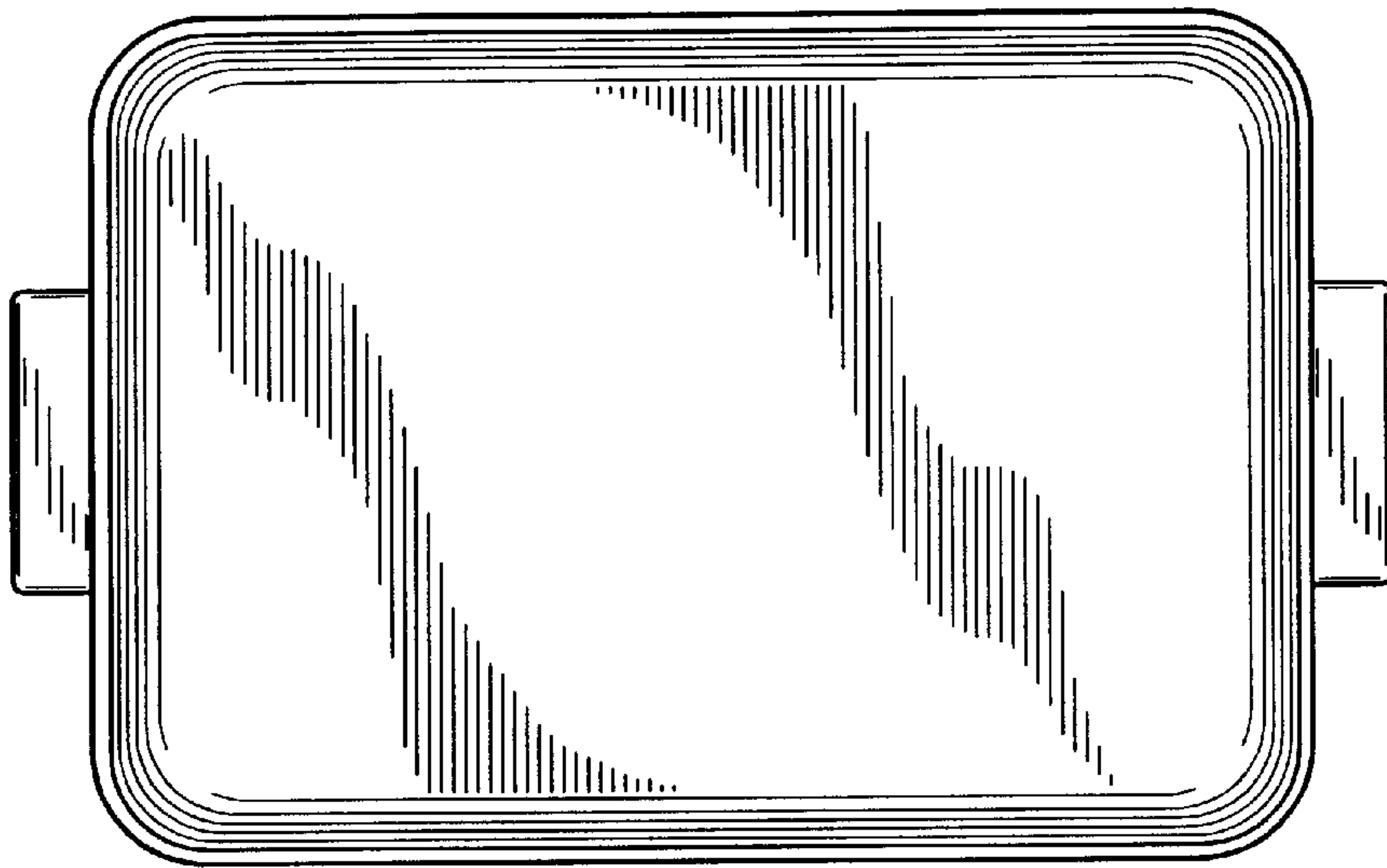


FIG. 13

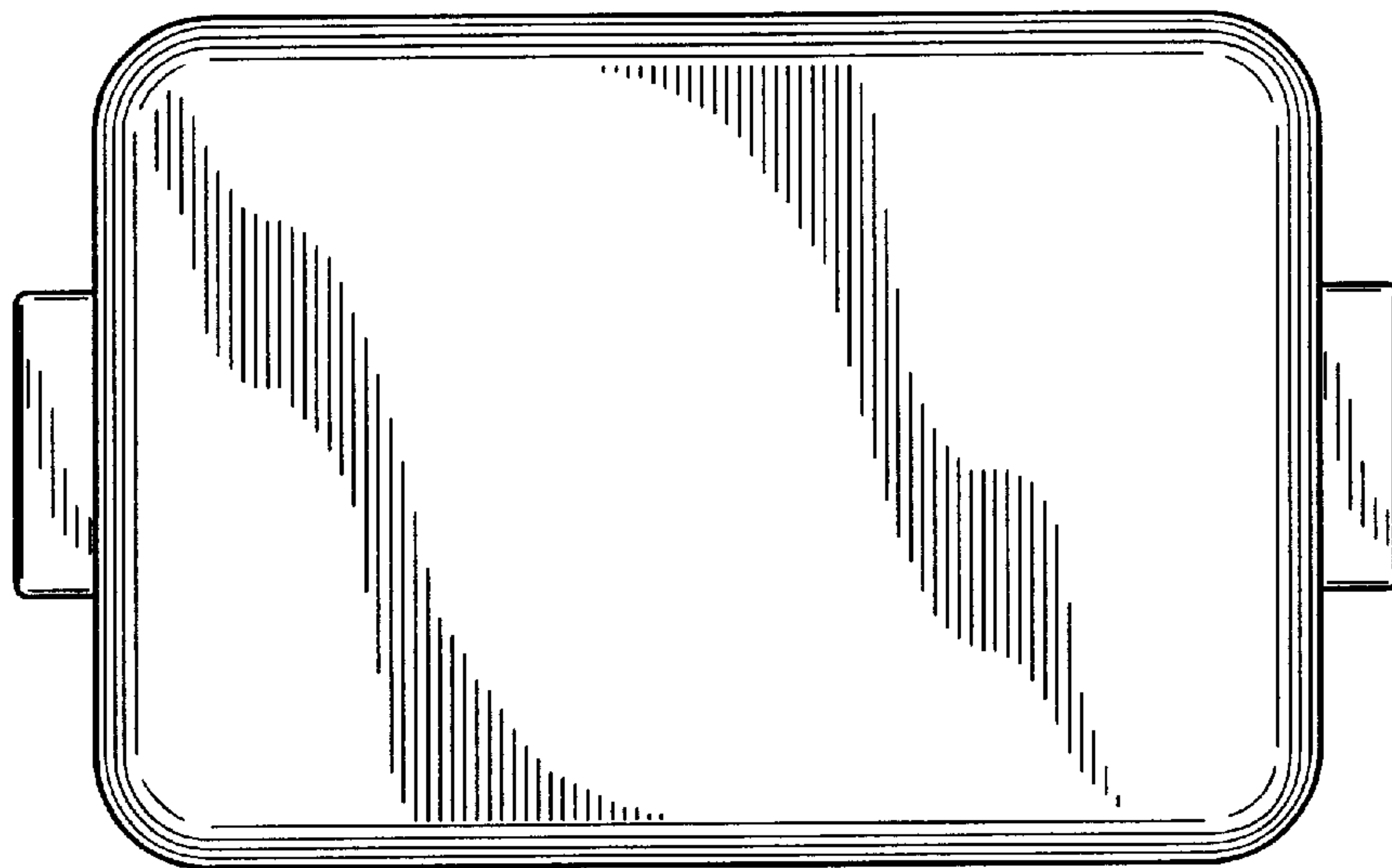


FIG. 14

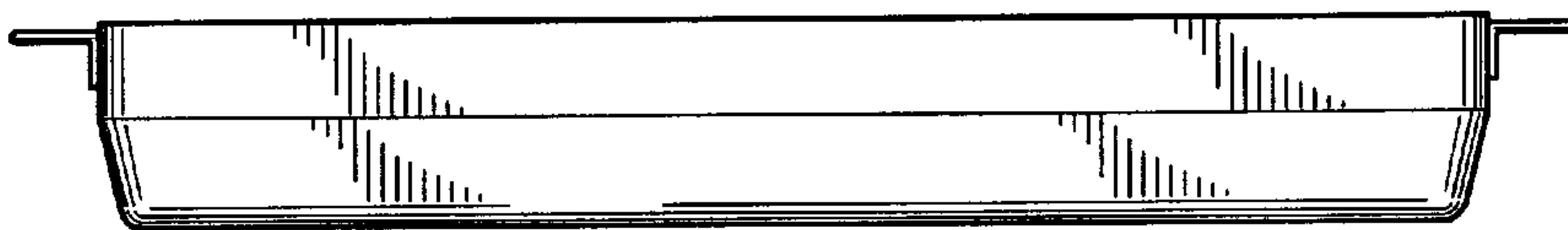


FIG. 15

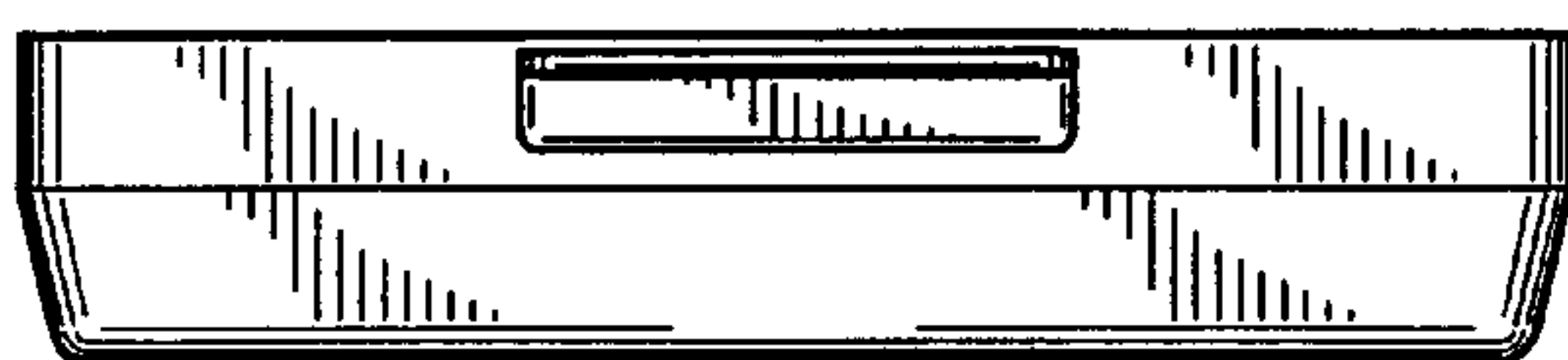


FIG. 16

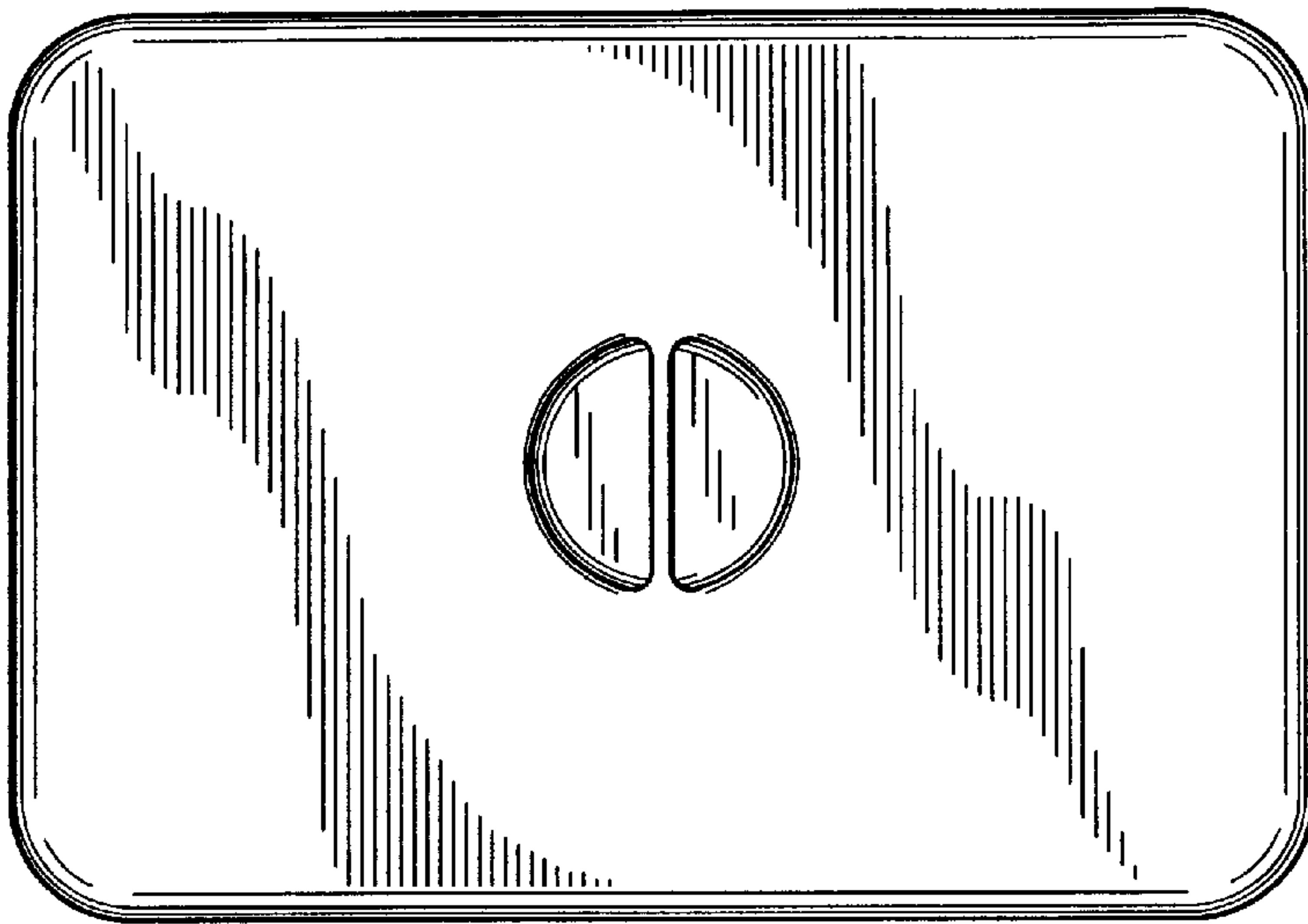


FIG. 17

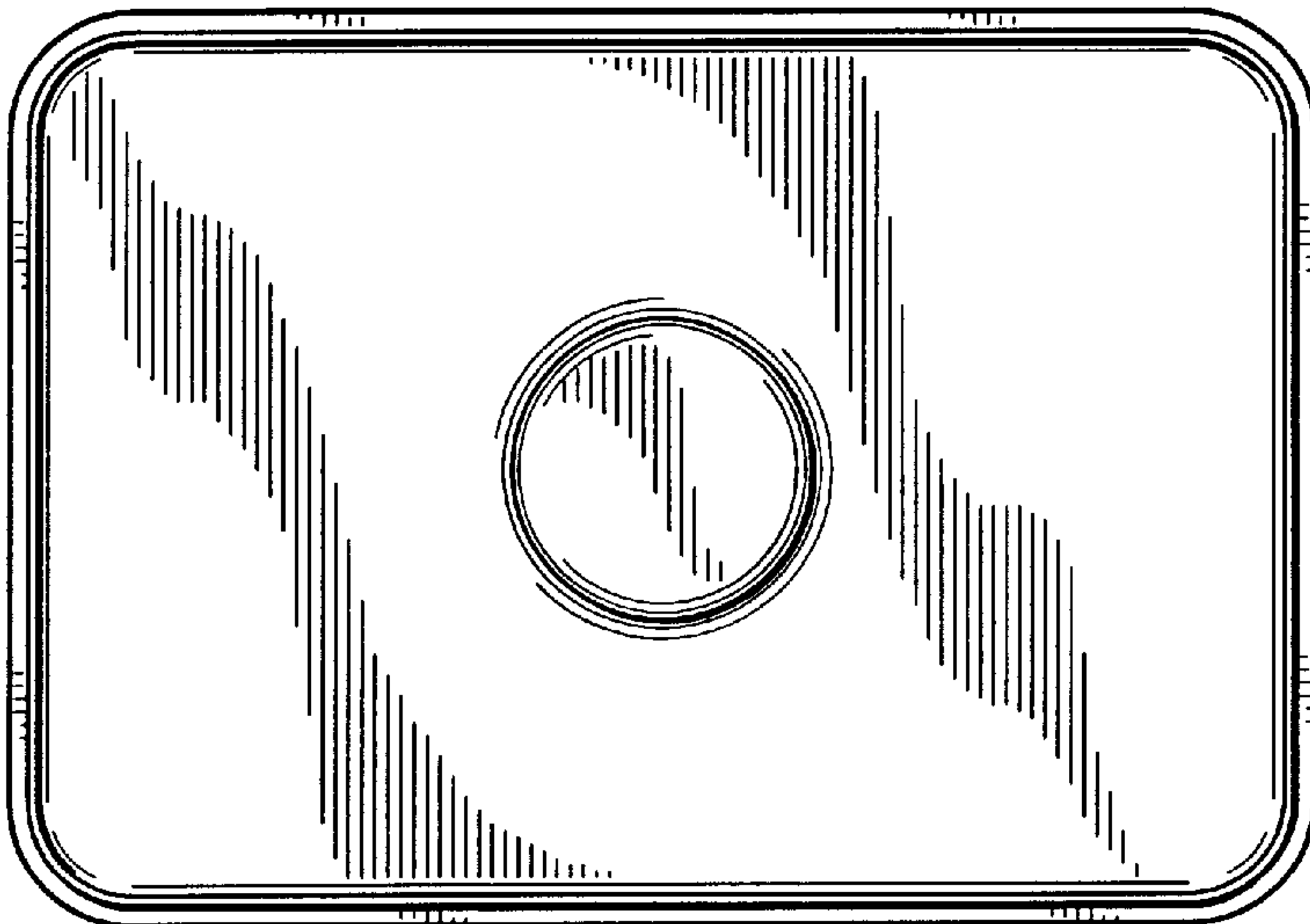


FIG. 18

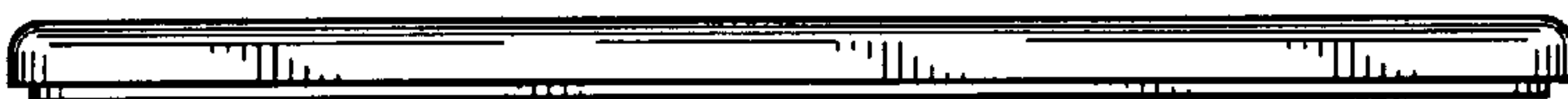


FIG. 19



FIG. 20

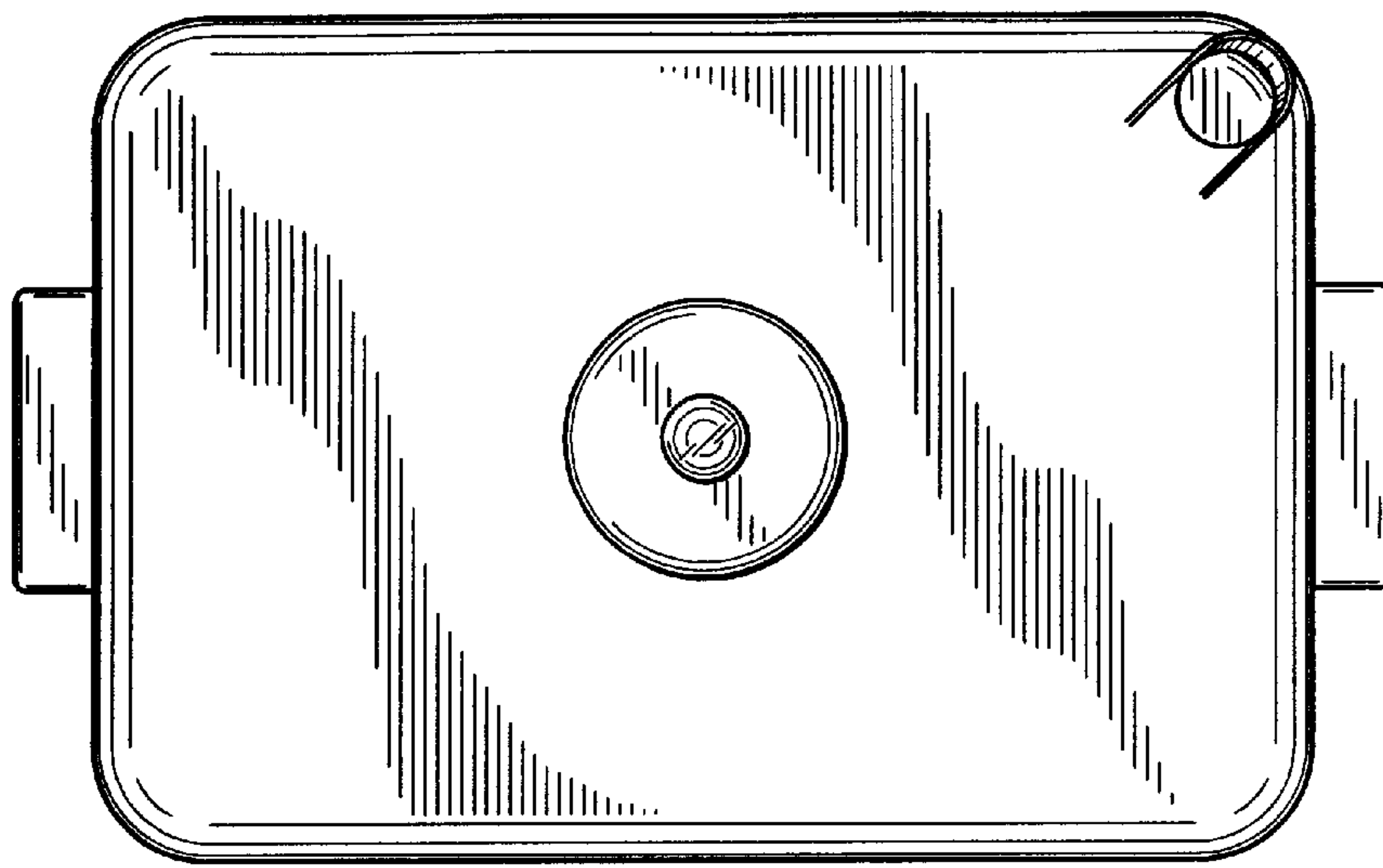


FIG. 21

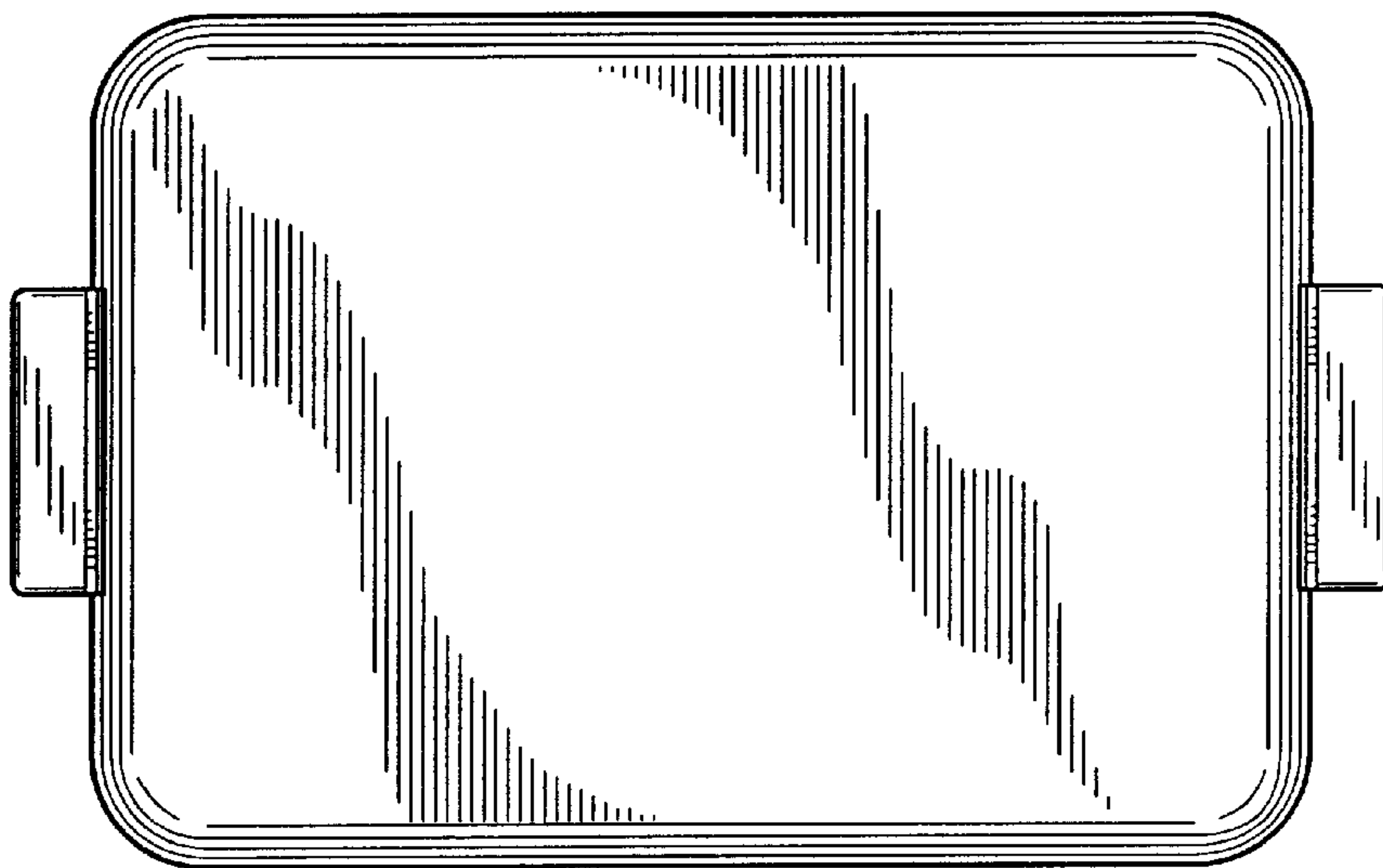


FIG. 22

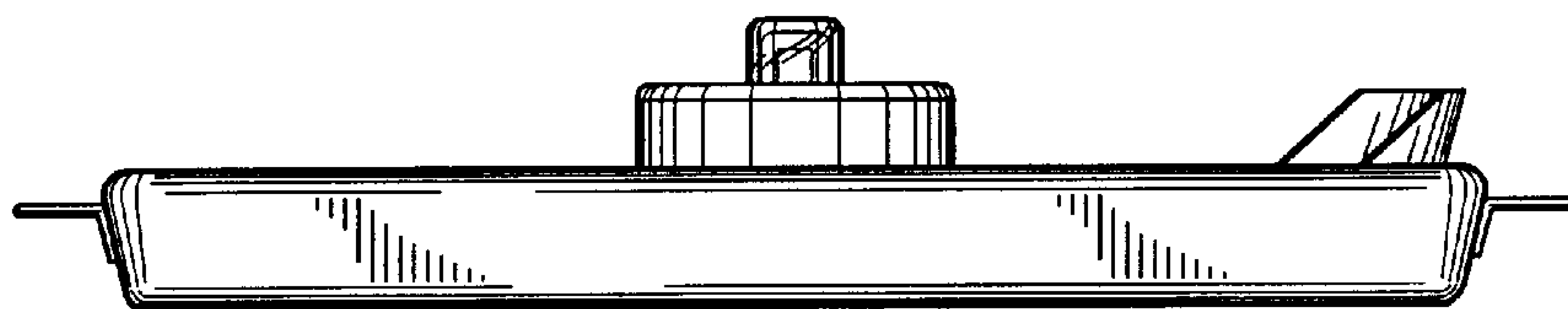


FIG. 23

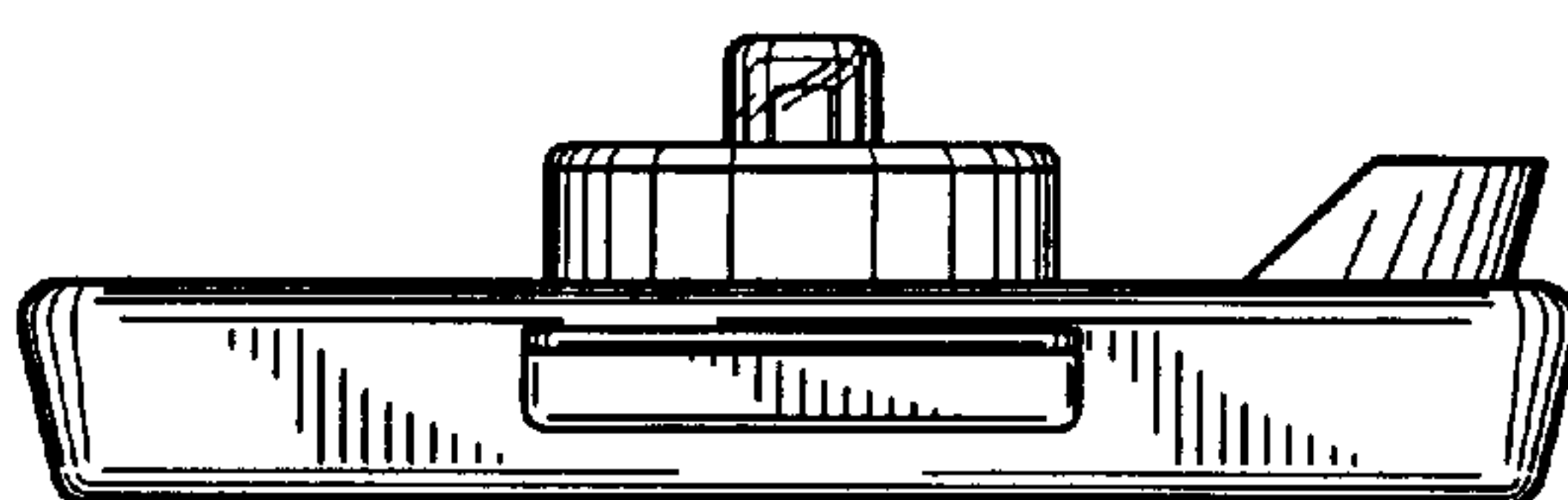


FIG. 24