



US00D434264S

United States Patent [19] Mixides

[11] **Patent Number: Des. 434,264**

[45] **Date of Patent: ** Nov. 28, 2000**

[54] **TOASTER**

[76] Inventor: **Anthony Mixides**, 139 Chase Way,
Southgate, London N14 5DY, United
Kingdom

[**] Term: **14 Years**

[21] Appl. No.: **29/117,645**

[22] Filed: **Jan. 28, 2000**

[30] **Foreign Application Priority Data**

Jul. 30, 1999 [GB] United Kingdom 2085432

[51] **LOC (7) Cl.** **07-02**

[52] **U.S. Cl.** **D7/330**

[58] **Field of Search** D7/328-330; 99/385,
99/389, 391

[56] **References Cited**

U.S. PATENT DOCUMENTS

- D. 147,734 10/1947 Musser D7/330
- D. 155,128 9/1949 Cox et al. D7/330
- D. 376,509 12/1996 Stutzer D7/330

Primary Examiner—Caron D. Veynar
Attorney, Agent, or Firm—Patterson, Thunte, Skaar &
Christensen, P.A.

[57] **CLAIM**

The ornamental design for toaster, as shown and described.

DESCRIPTION

FIG. 1 is a perspective view of a toaster according to an embodiment of the invention.

FIG. 2 is a front view of a toaster according to an embodiment of the invention.

FIG. 3 is a rear view of a toaster according to an embodiment of the invention.

FIG. 4 is a right side view of a toaster according to an embodiment of the invention.

FIG. 5 is a left view side of a toaster according to an embodiment of the invention.

FIG. 6 is a top view of a toaster according to an embodiment of the invention; and,

FIG. 7 is a bottom view of a toaster according to an embodiment of the invention.

1 Claim, 4 Drawing Sheets

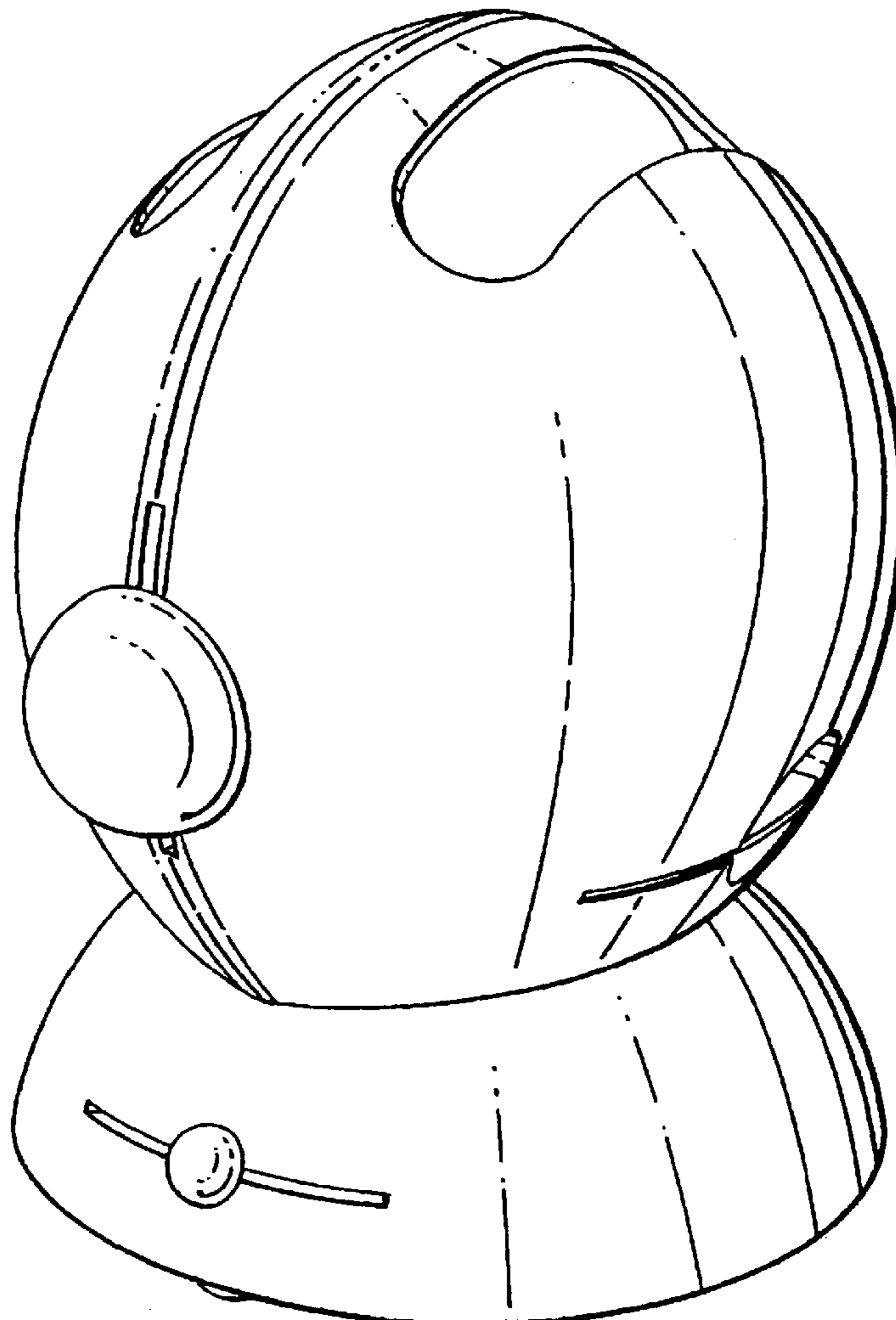


Fig. 1

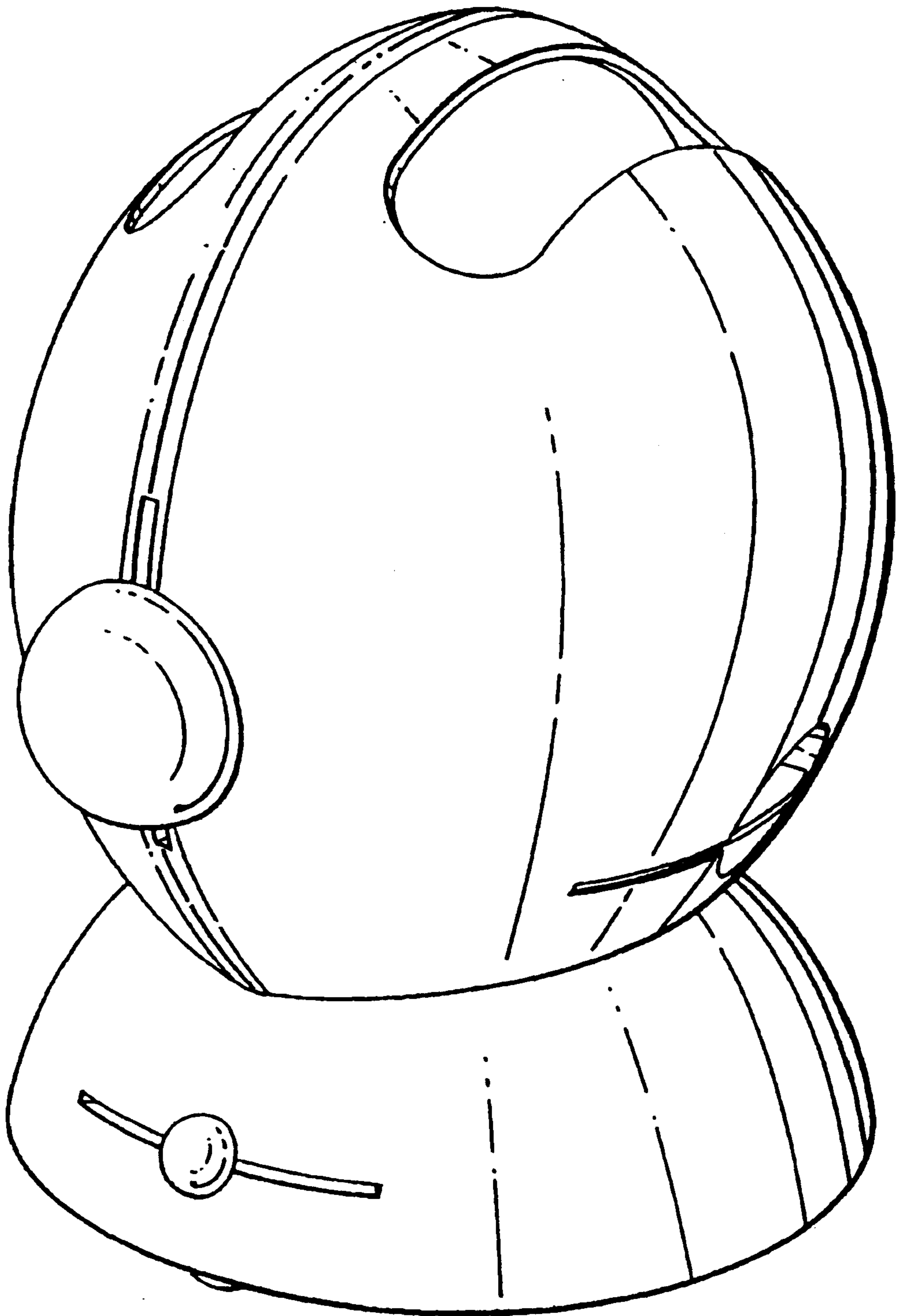


Fig. 3

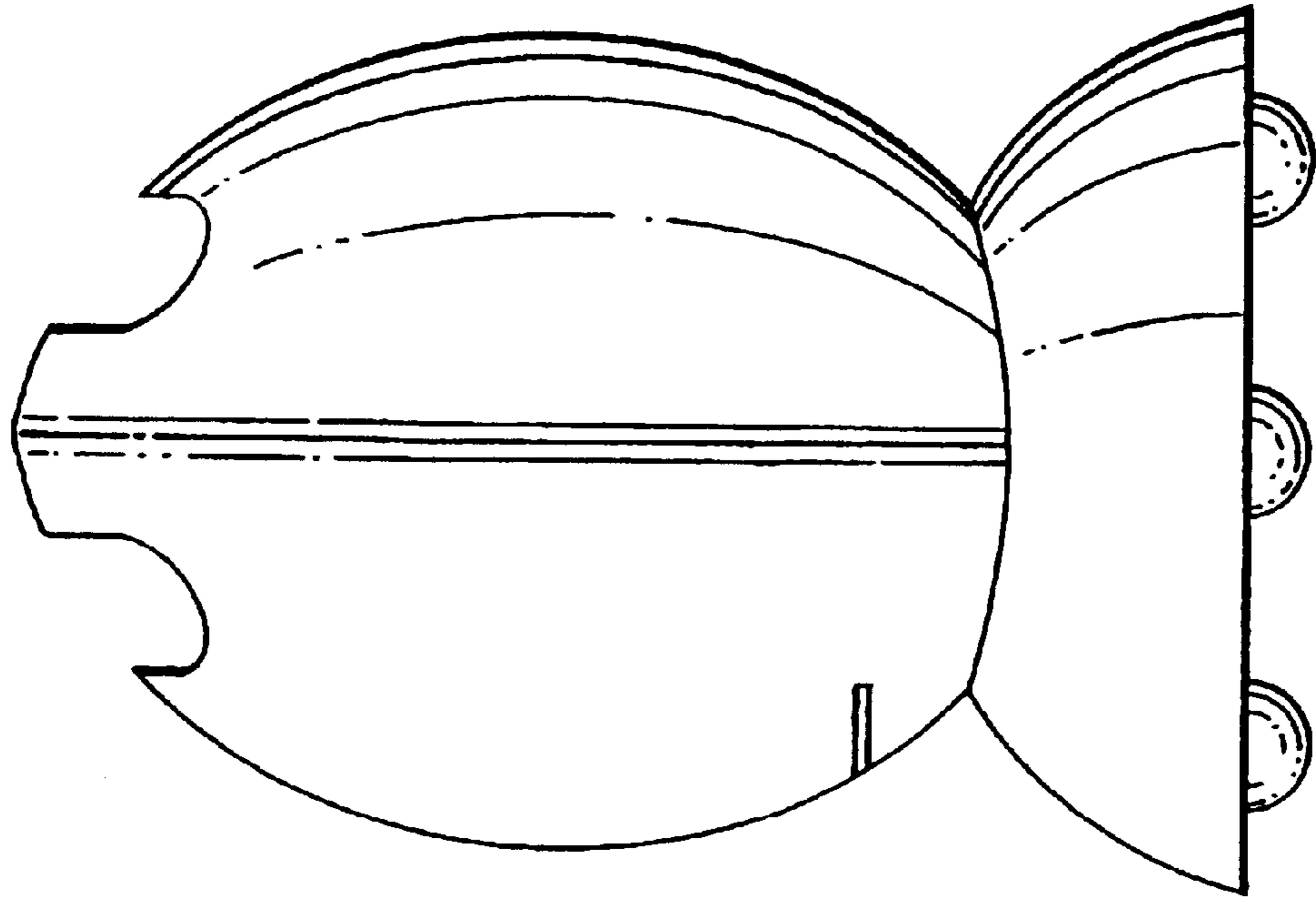


Fig. 2

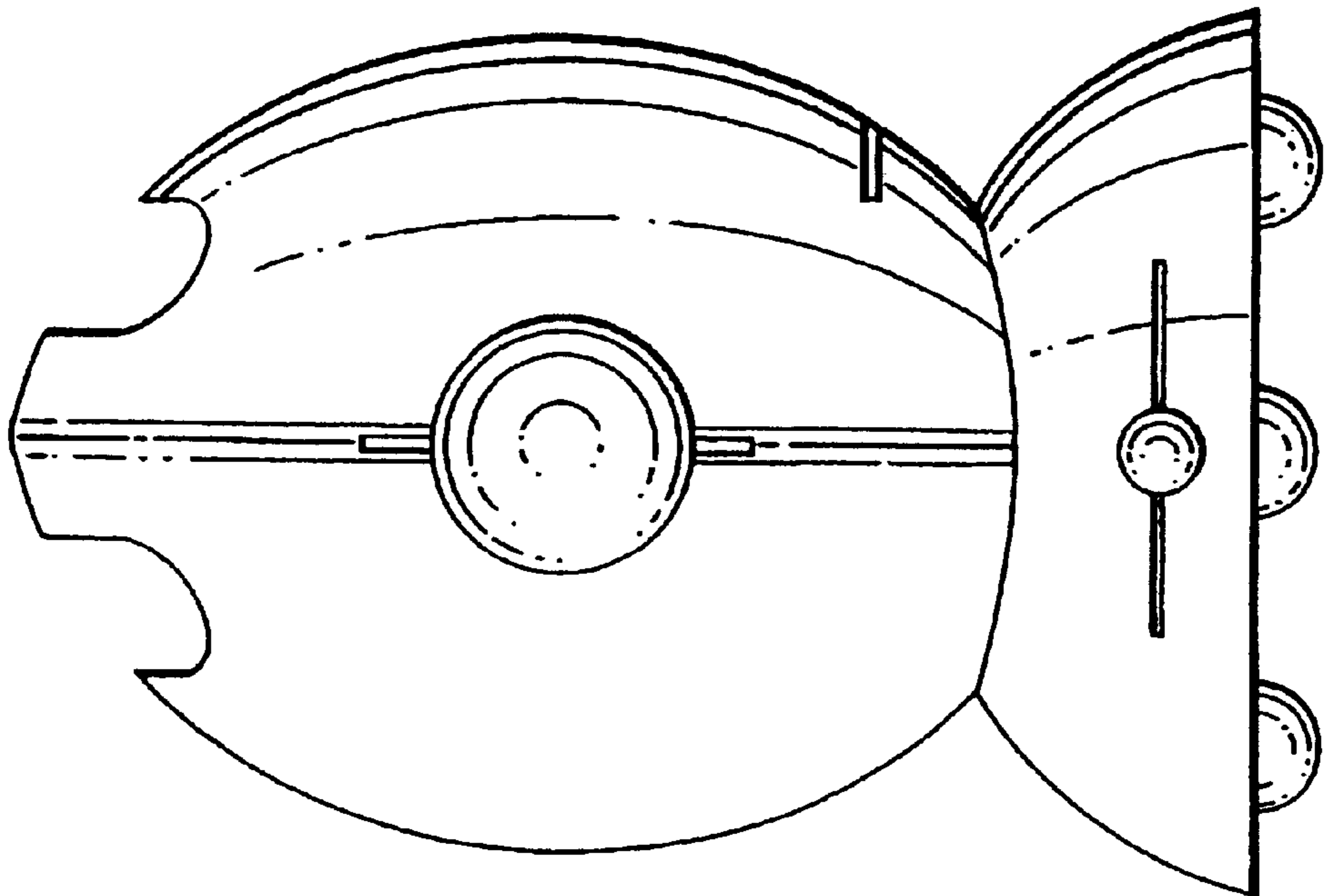


Fig. 5

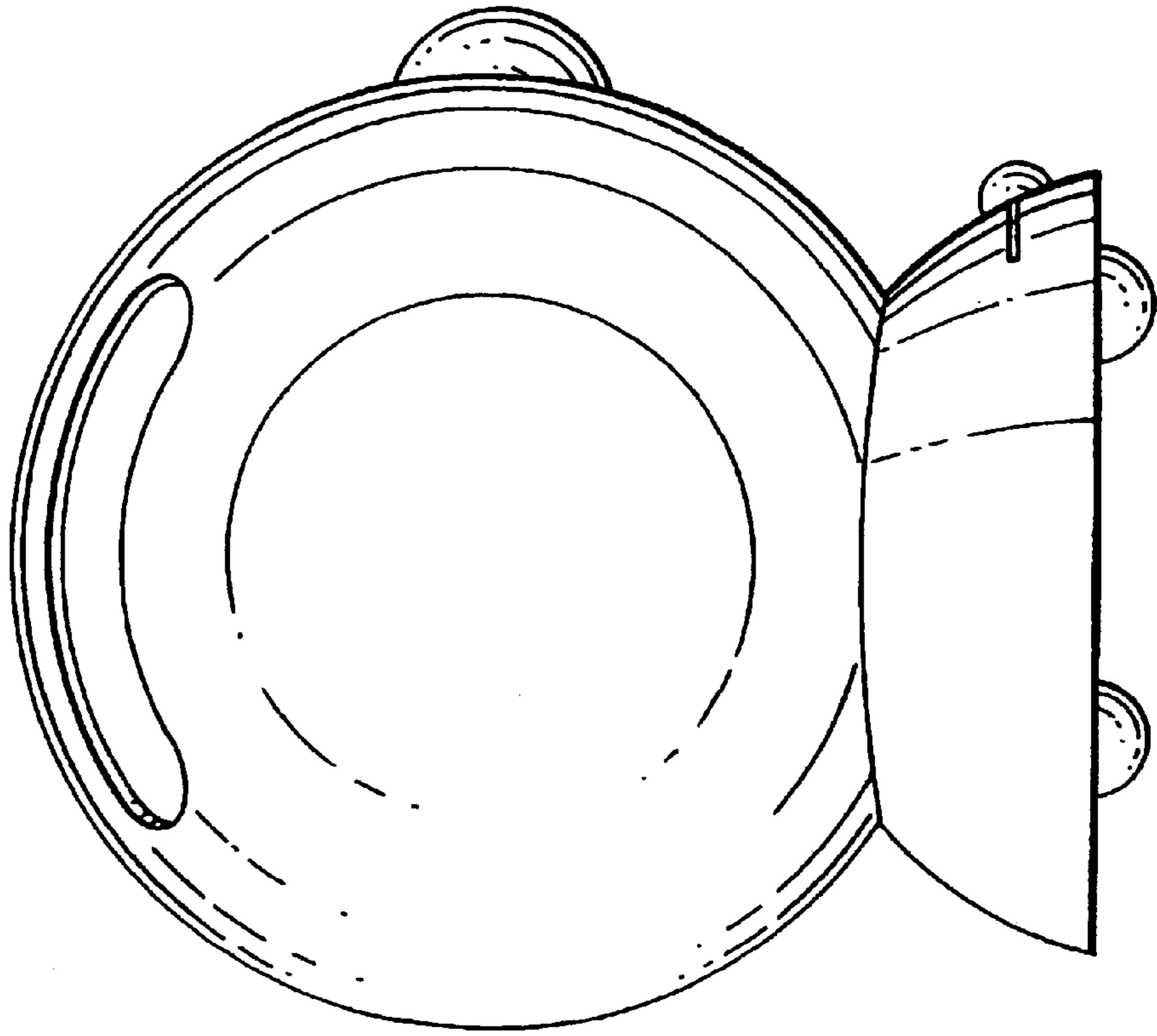


Fig. 4

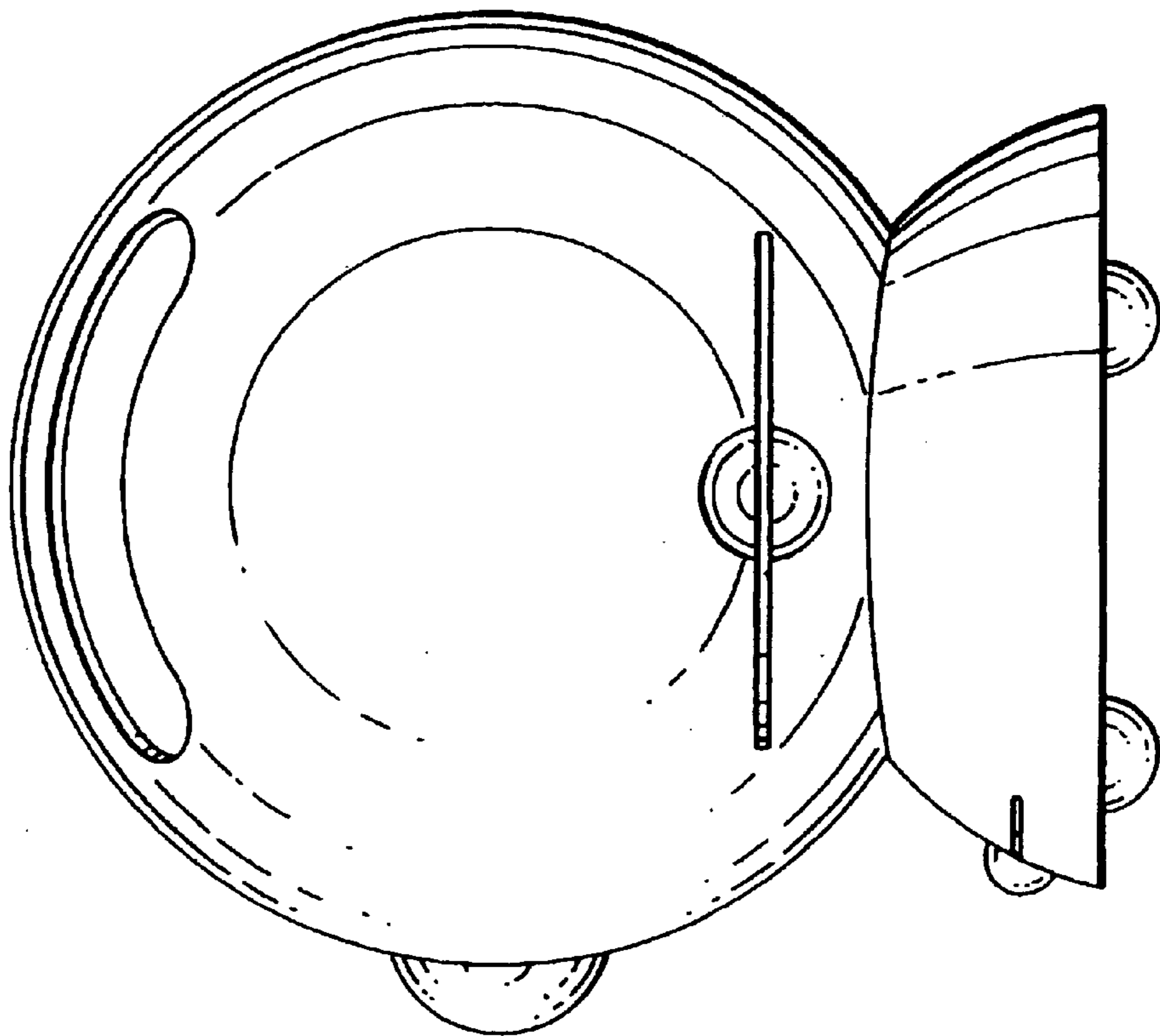


Fig. 7

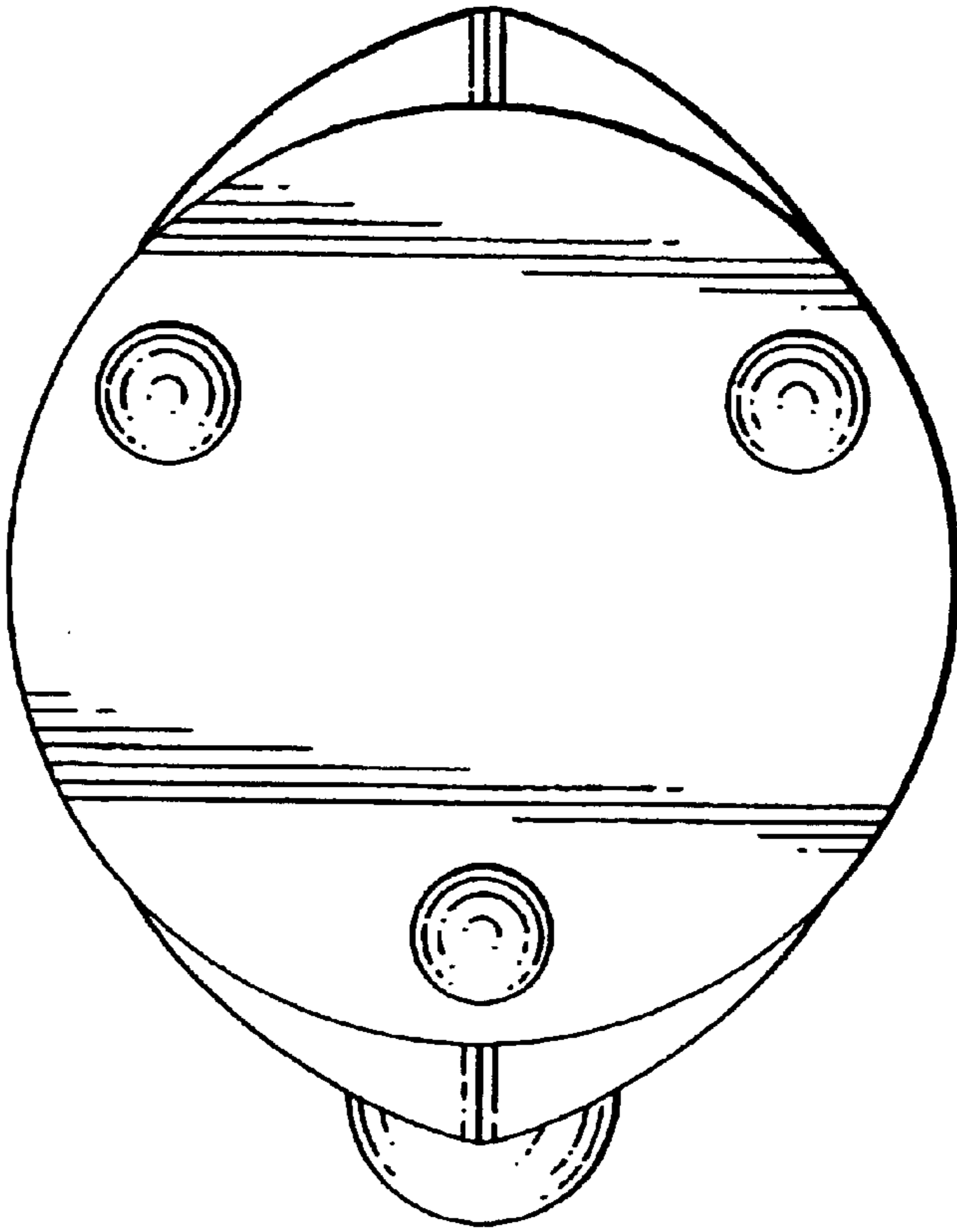


Fig. 6

