



US00D434259S

# United States Patent [19]

Gastelum et al.

[11] Patent Number: **Des. 434,259**

[45] Date of Patent: **\*\* Nov. 28, 2000**

[54] TOWEL RING

[75] Inventors: **Jose Gastelum, Verona; Leszek Solowiej, Montville, both of N.J.**

[73] Assignee: **Melard Manufacturing Corp., Passaic, N.J.**

[\*\*] Term: **14 Years**

[21] Appl. No.: **29/118,559**

[22] Filed: **Feb. 9, 2000**

[51] LOC (7) Cl. .... **06-04**

[52] U.S. Cl. .... **D6/546**

[58] Field of Search ..... D6/546-550; 211/16, 211/86, 87, 123; 248/200, 231.91, 251, 222.1, 224.3, 315

[56] **References Cited**

### U.S. PATENT DOCUMENTS

D. 64,905 6/1924 Jordan ..... D6/546

D. 382,752 8/1997 Goodman et al. .... D6/546  
D. 409,030 5/1999 Sweetman ..... D6/546  
4,907,771 3/1990 Wang ..... 248/222.1 X  
5,323,996 6/1994 Rendall ..... 248/222.1

*Primary Examiner*—Brian N. Vinson  
*Attorney, Agent, or Firm*—Edgar A. Zarins; Lloyd D. Doigan

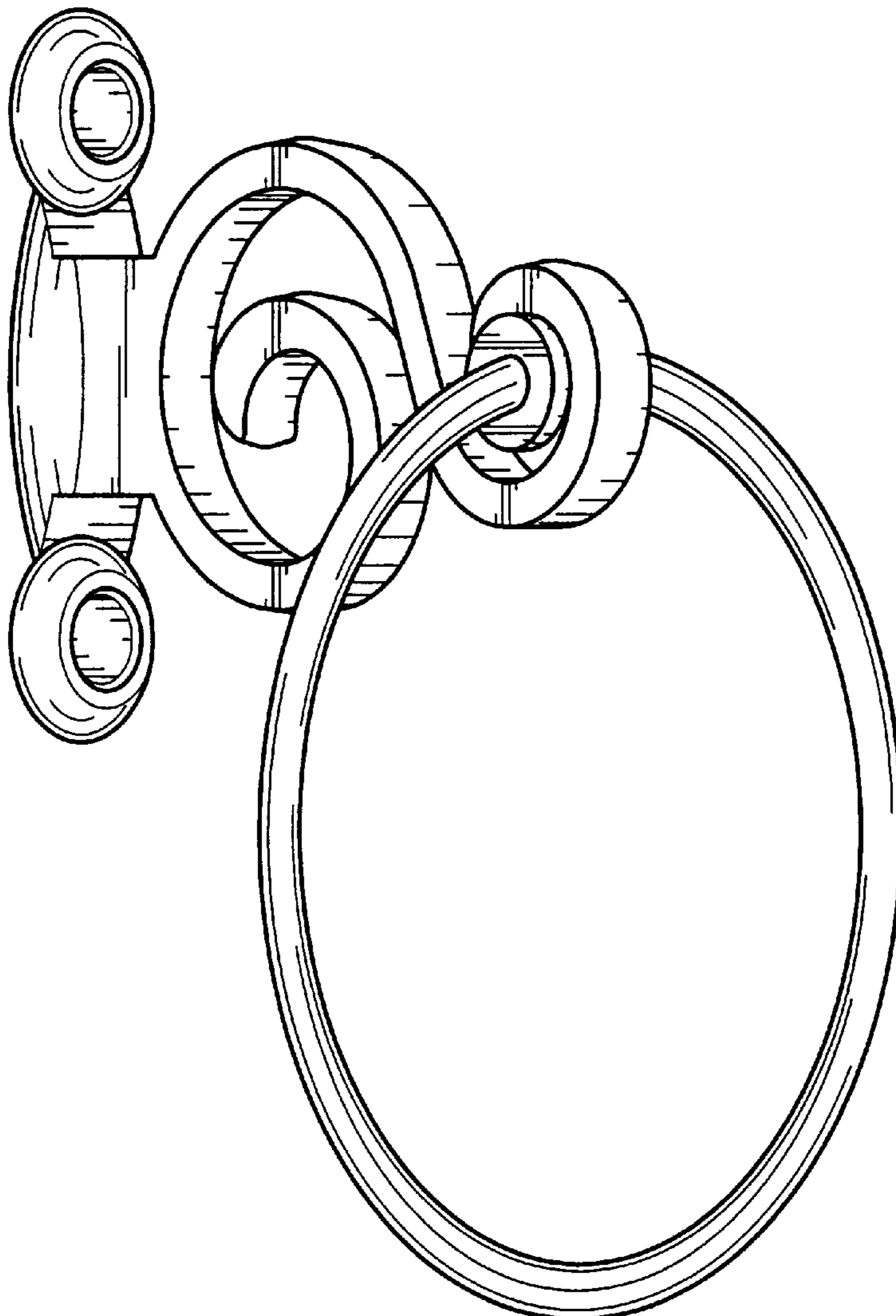
### [57] CLAIM

The ornamental design for a towel ring, as shown and described.

### DESCRIPTION

FIG. 1 is a perspective view of a towel ring showing our design;  
FIG. 2 is a right side view thereof, the opposite side being a mirror image of the side shown;  
FIG. 3 is a front elevation thereof;  
FIG. 4 is a top plan view thereof; and,  
FIG. 5 is a bottom plan view thereof.

**1 Claim, 2 Drawing Sheets**



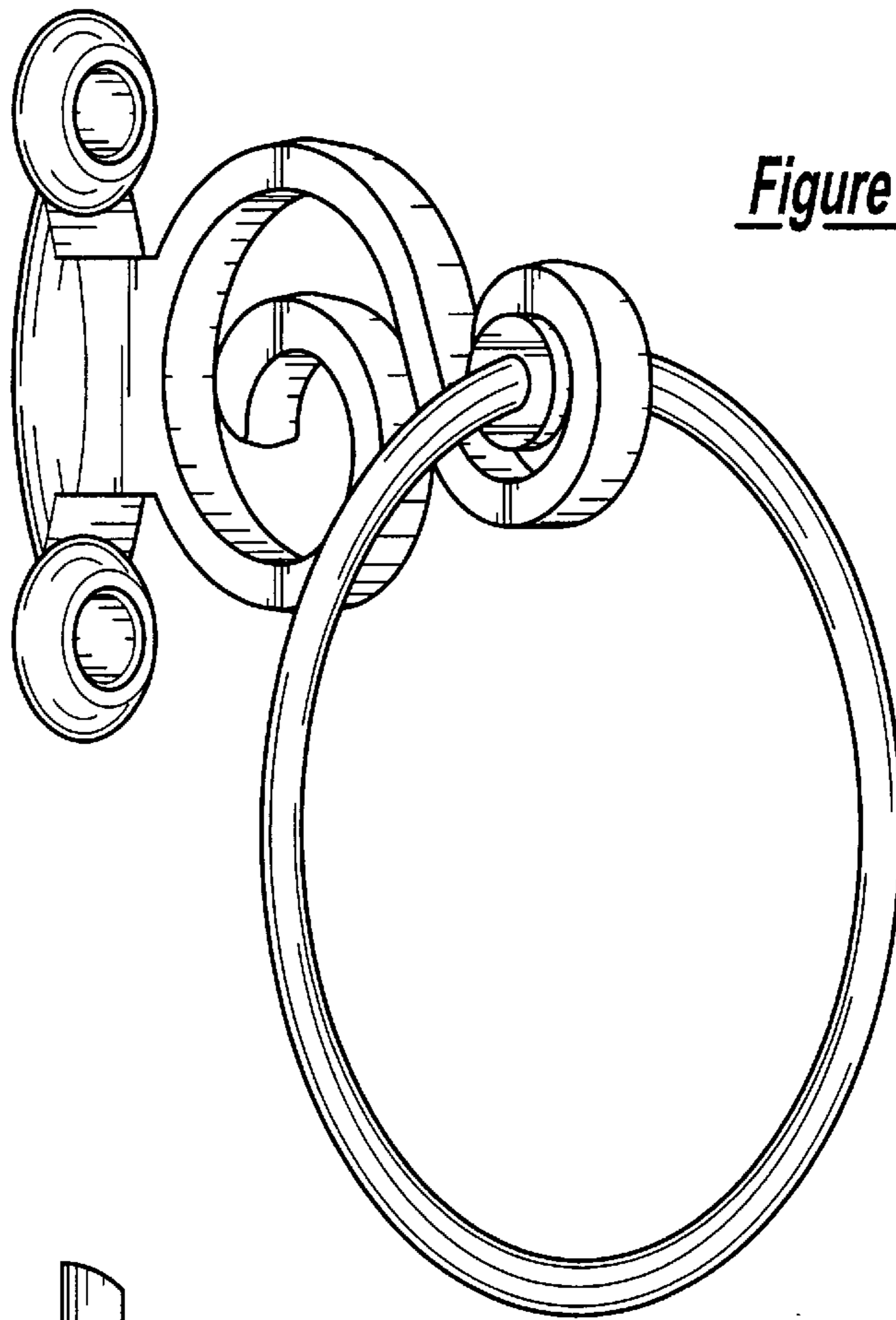


Figure - 1

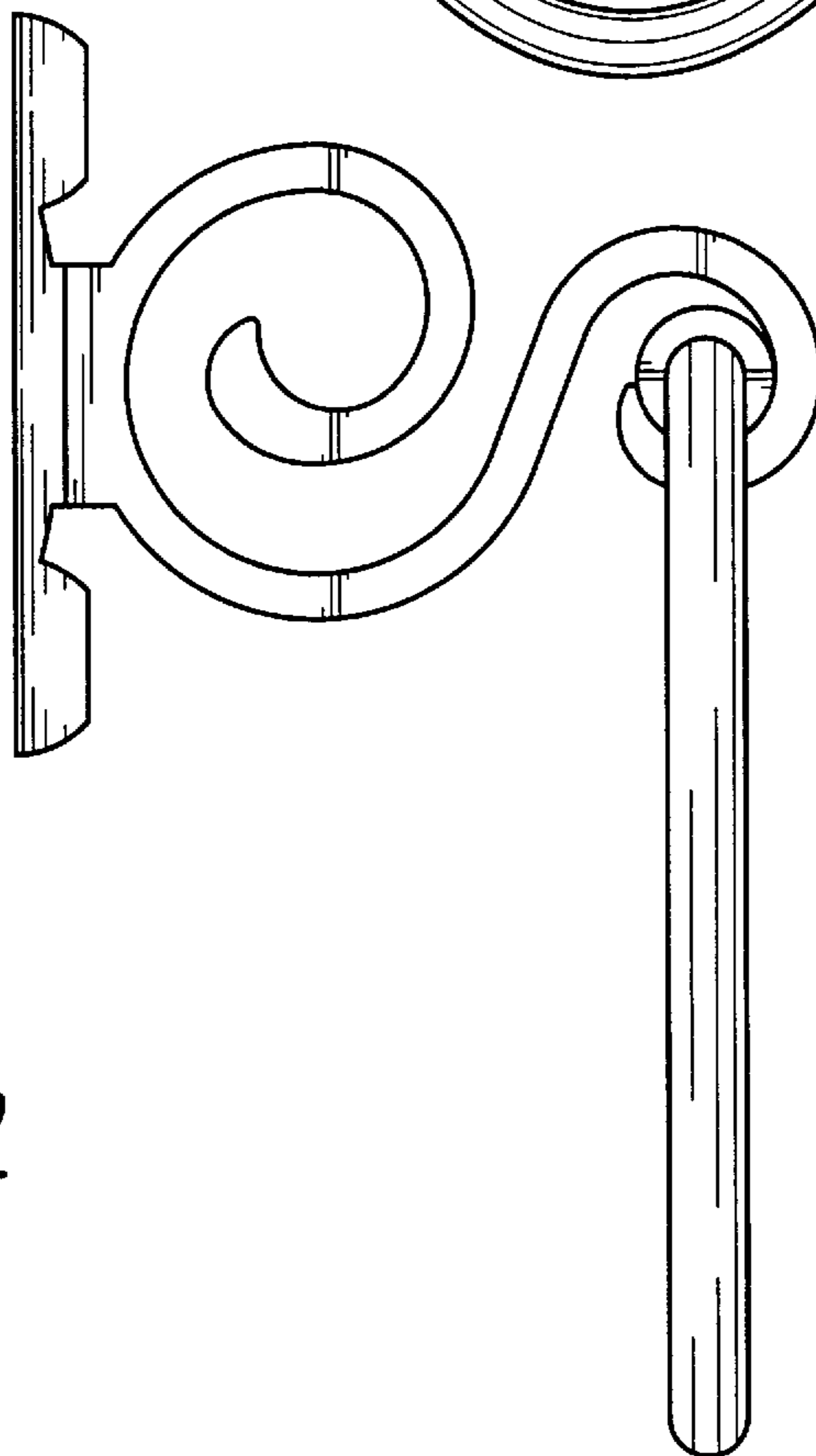


Figure - 2

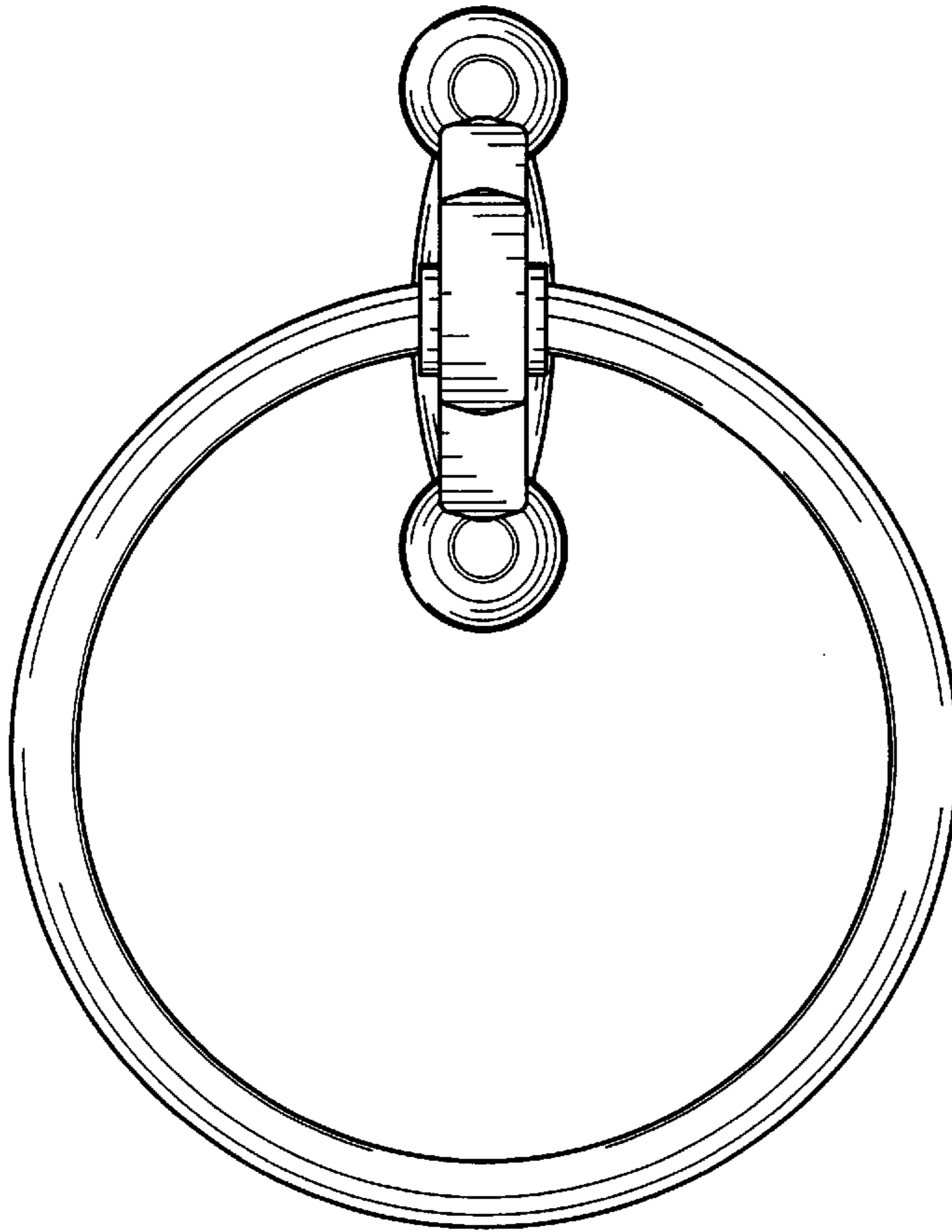


Figure - 3

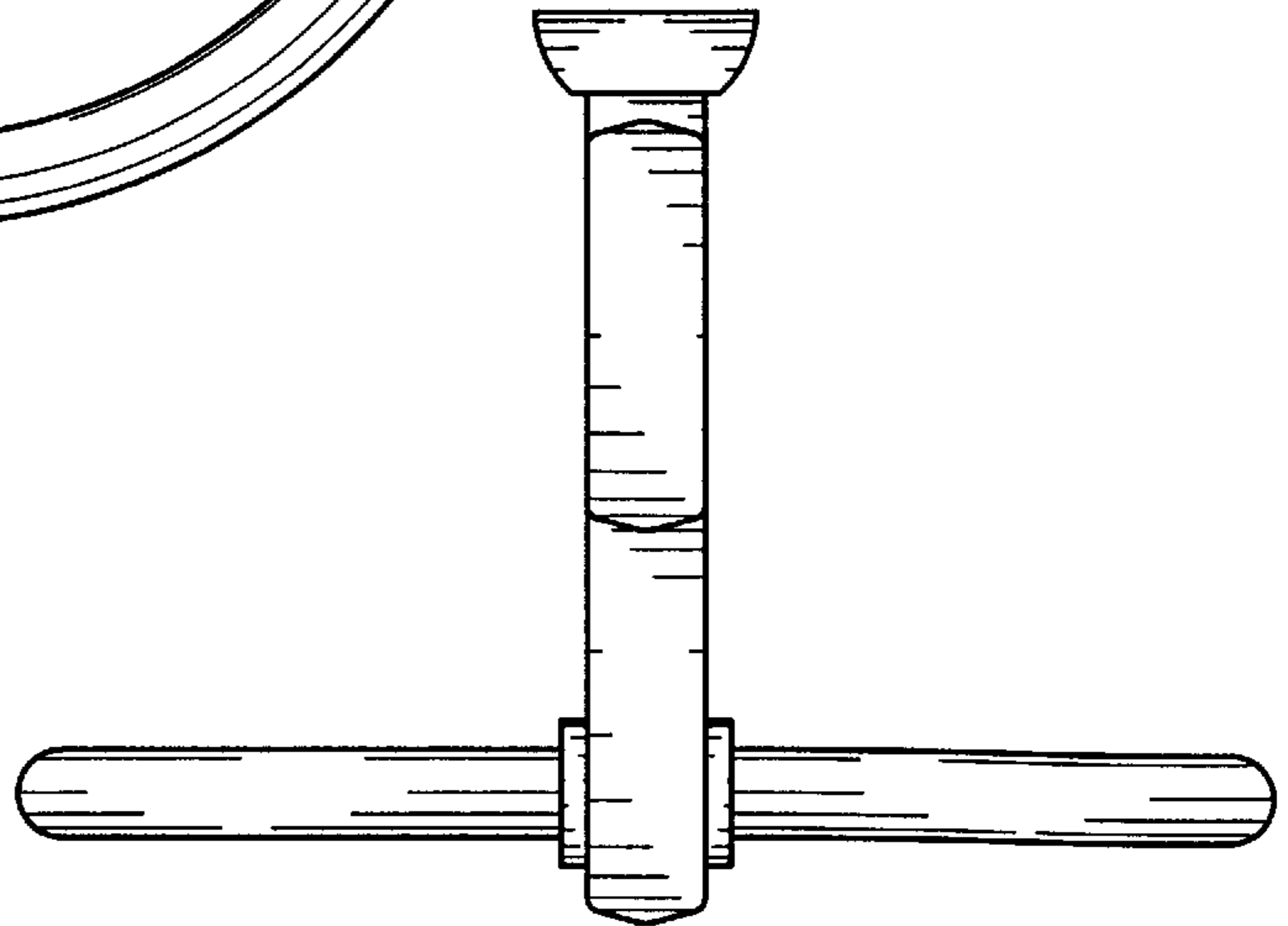


Figure - 4

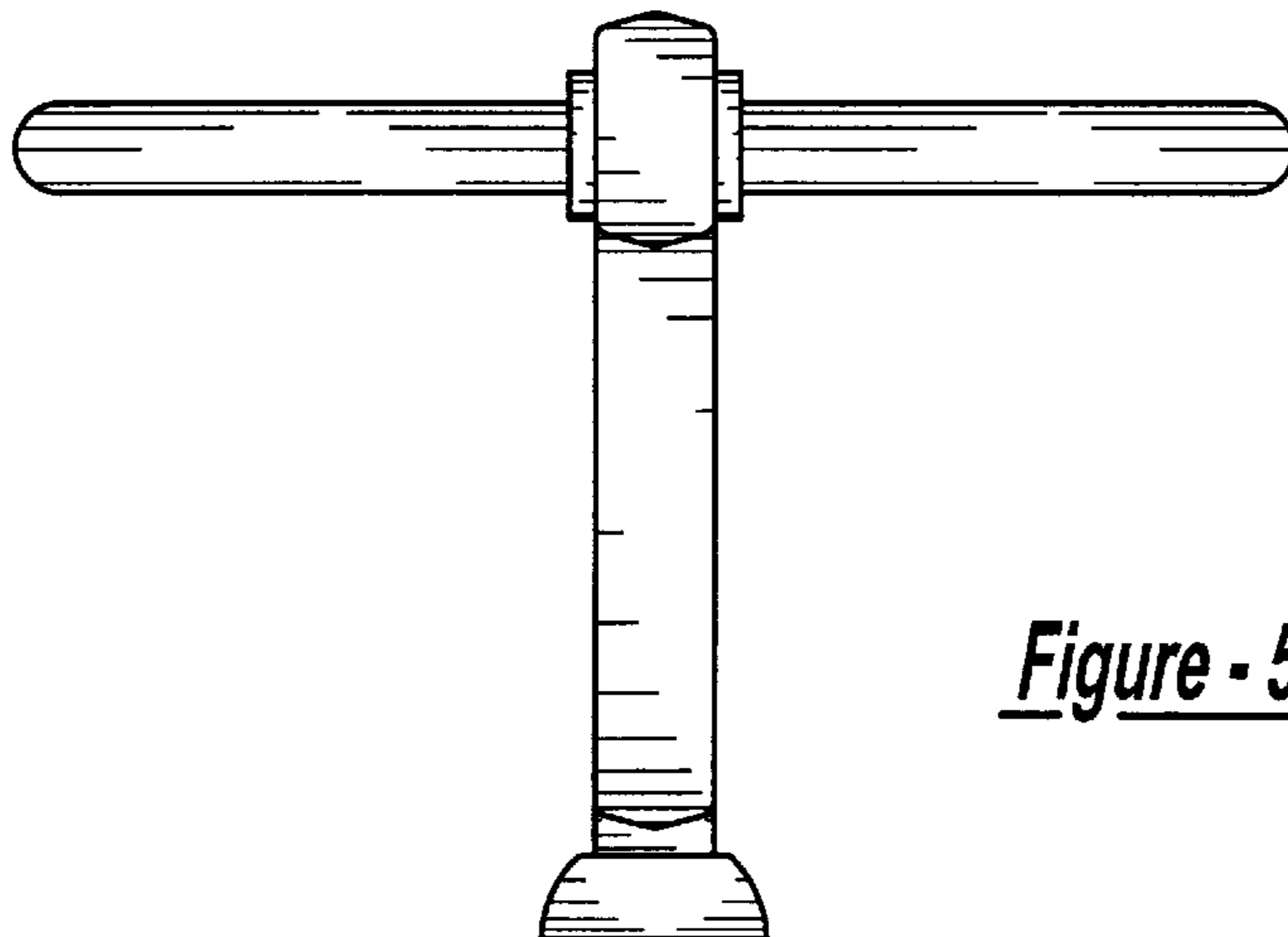


Figure - 5