



US00D434256S

United States Patent [19]
Shimbo et al.

[11] **Patent Number: Des. 434,256**
[45] **Date of Patent: ** Nov. 28, 2000**

[54] **DISPENSER FOR PLATE GUMS OR THE LIKE**

[75] Inventors: **Masao Shimbo; Shoji Kobayashi**, both of Kashiwazaki, Japan

[73] Assignee: **Bourbon Corporation**, Niigata-ken, Japan

[**] Term: **14 Years**

[21] Appl. No.: **29/120,084**

[22] Filed: **Mar. 15, 2000**

Related U.S. Application Data

[62] Division of application No. 29/103,924, Apr. 26, 1999.

[51] **LOC (7) Cl.** **20-02**

[52] **U.S. Cl.** **D6/515**

[58] **Field of Search** D6/515, 517; D3/201; D9/414, 418, 499; 206/37, 38, 39, 39.4, 449, 800

References Cited

U.S. PATENT DOCUMENTS

- D. 331,074 11/1992 Dotterman et al. D6/515 X
- D. 332,347 1/1993 Raadt et al. D9/414 X
- D. 339,943 10/1993 Romme et al. D6/515

- D. 403,188 12/1998 Kansco D6/515
- D. 415,424 10/1999 Hill D6/515 X
- 1,155,791 10/1915 Cabell 206/37
- 2,197,219 4/1940 Groshong 206/37 X
- 4,170,914 10/1979 Carrier .
- 4,465,208 8/1984 Buban et al. .
- 5,353,956 10/1994 Wilson .
- 5,370,219 12/1994 Violett, Jr. 206/37 X
- 5,649,642 7/1997 Mabry et al. .

FOREIGN PATENT DOCUMENTS

- 7-41062 2/1995 Japan .
- 8-282748 10/1996 Japan .

Primary Examiner—Brian N. Vinson
Attorney, Agent, or Firm—Birch, Stewart, Kolasch & Birch, LLP

[57] **CLAIM**

The ornamental design for a dispenser for plate gums or the like, as shown and described.

DESCRIPTION

FIG. 1 is a top, front, and left side perspective view of a dispenser for plate gums or the like showing our new design, the rear and right sides being mirror images of the front and left side respectively; and, FIG. 2 is a top plan view thereof.

1 Claim, 1 Drawing Sheet

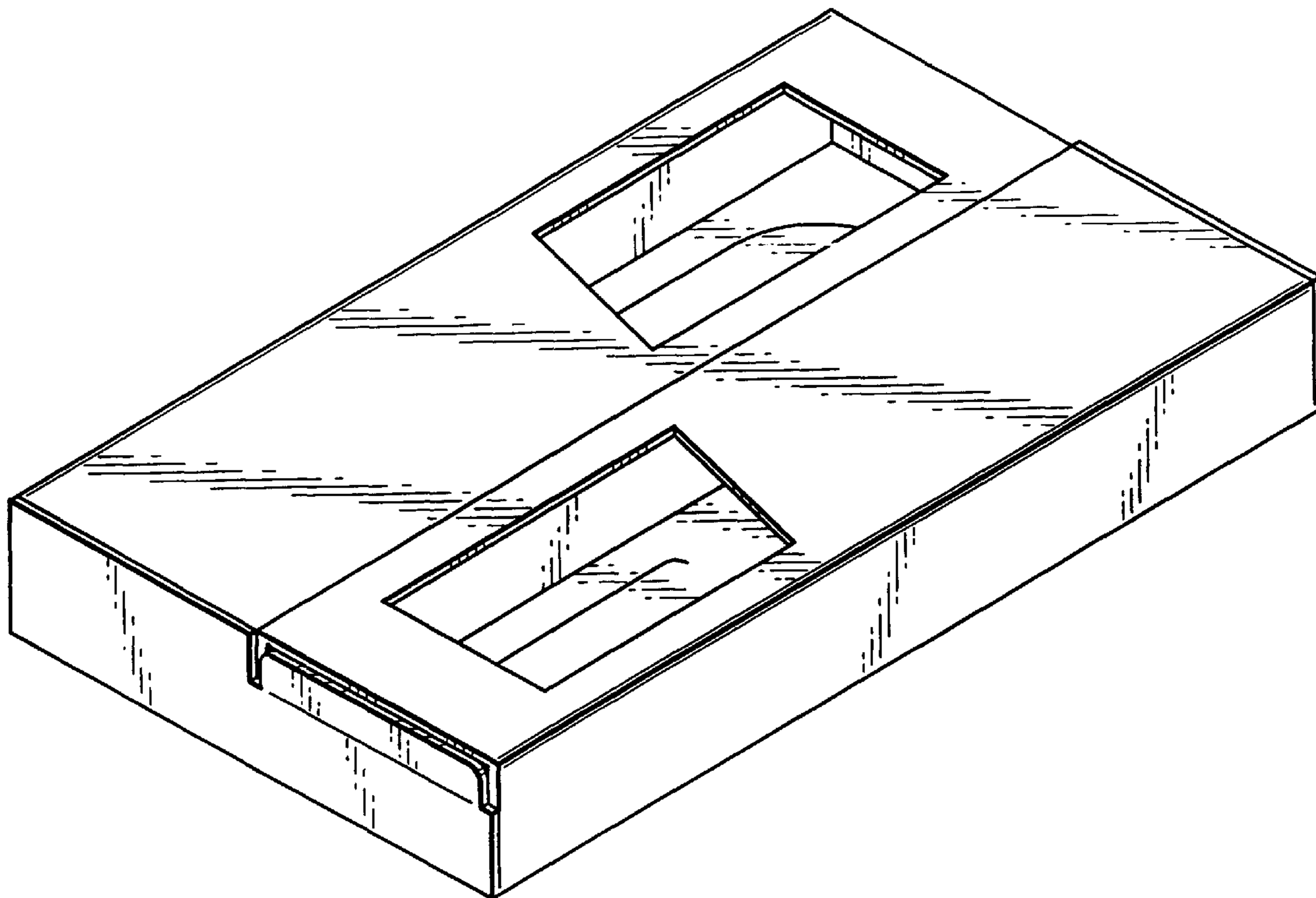


Fig. 1

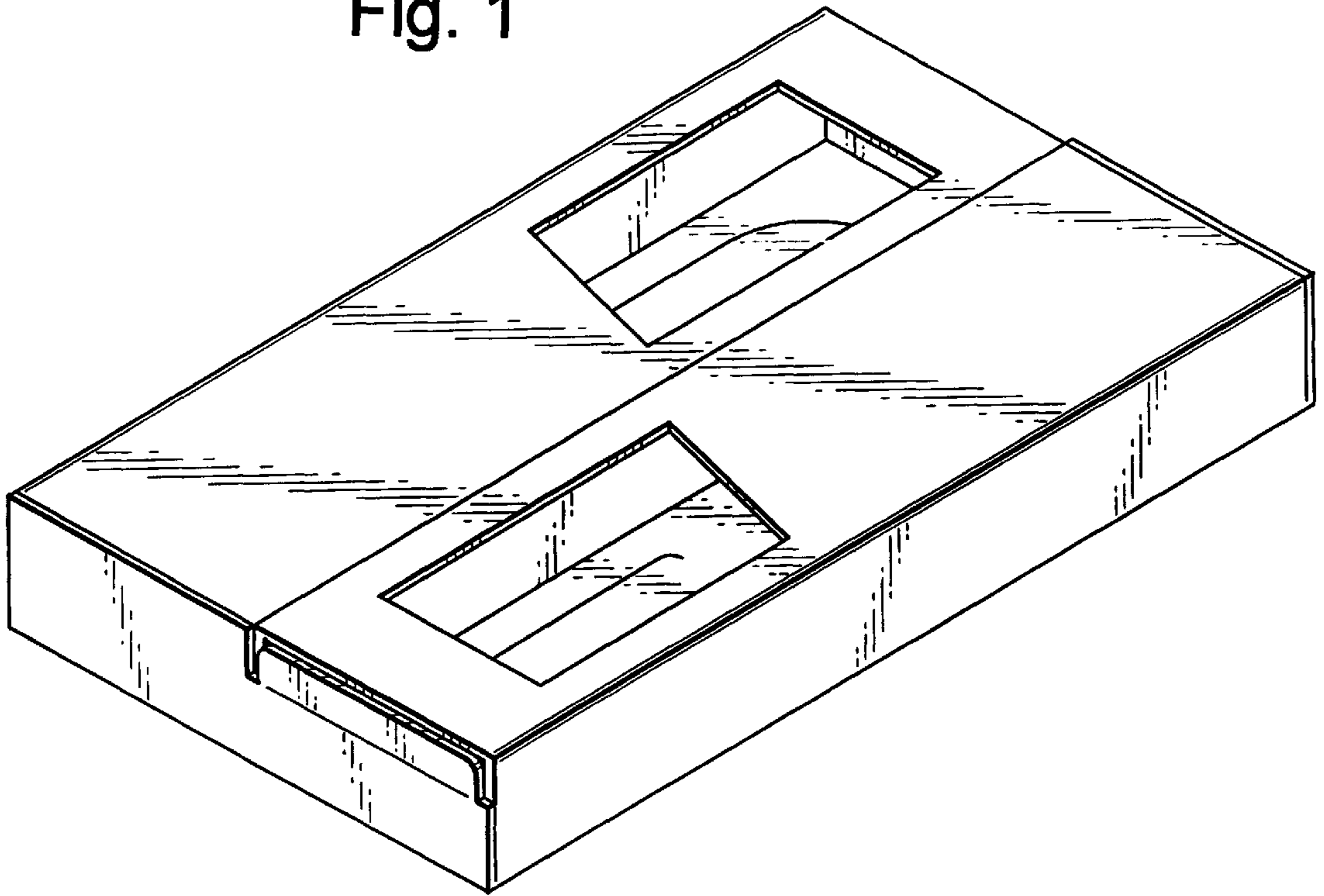


FIG. 2

