



US00D434254S

# United States Patent [19]

Turner et al.

[11] **Patent Number: Des. 434,254**

[45] **Date of Patent: \*\* Nov. 28, 2000**

[54] **SEAT BOTTOM**

[75] Inventors: **Dennis M. Turner**, Mooresville;  
**Andrew Mendenhall**, Indianapolis;  
**Nancy Rasche**, Lebanon, all of Ind.

[73] Assignee: **Cosco Management, Inc.**, Wilmington,  
Del.

[\*\*] Term: **14 Years**

[21] Appl. No.: **29/116,642**

[22] Filed: **Jan. 7, 2000**

[51] **LOC (7) Cl.** ..... **06-06**

[52] **U.S. Cl.** ..... **D6/502**

[58] **Field of Search** ..... D6/334, 335, 366,  
D6/371, 372, 373, 374, 379, 380, 500-502;  
297/447.2, 447.3, 448.2, 450.1, 452.1

## [56] **References Cited**

### U.S. PATENT DOCUMENTS

D. 169,930	6/1953	Chapman et al.	.....	D6/374
D. 169,931	6/1953	Chapman et al.	.....	D6/374
D. 177,295	3/1956	Wright	.....	D6/374
D. 179,770	2/1957	Hoven	.....	D6/374
D. 186,658	11/1959	Spilman	.....	D6/374
D. 187,216	2/1960	Spilman	.....	D6/374
D. 188,241	6/1960	Christenson	.....	D6/374
D. 195,620	7/1963	Chapman	.....	D6/374
D. 323,943	2/1992	Piretti	.....	D6/380
D. 346,283	4/1994	Kolberg	.....	D6/374
D. 346,911	5/1994	Lucci et al.	.....	D6/374

D. 351,743	10/1994	Locher	.....	D6/380
D. 357,821	5/1995	Tedesco	.....	D6/379
D. 406,951	3/1999	Herrmann	.....	D6/379
D. 409,407	5/1999	Wang	.....	D6/375
D. 423,805	5/2000	Olson	.....	D6/373
D. 426,970	6/2000	Kolberg	.....	D6/374

### OTHER PUBLICATIONS

Photographs of prior art chair sample (date unknown) (Photos 1-7) (Four Sheets).

*Primary Examiner*—Doris V. Coles

*Assistant Examiner*—Mimosa De

*Attorney, Agent, or Firm*—Barnes & Thornburg

### [57] **CLAIM**

The ornamental design for a seat bottom, as shown and described.

### **DESCRIPTION**

FIG. 1 is a perspective view of a seat bottom in accordance with our design with a chair which forms the environment of the seat bottom and forms no part of the claimed design, the chair or portions thereof being shown in broken lines for illustrative purposes.

FIG. 2 is an enlarged front elevational view thereof;

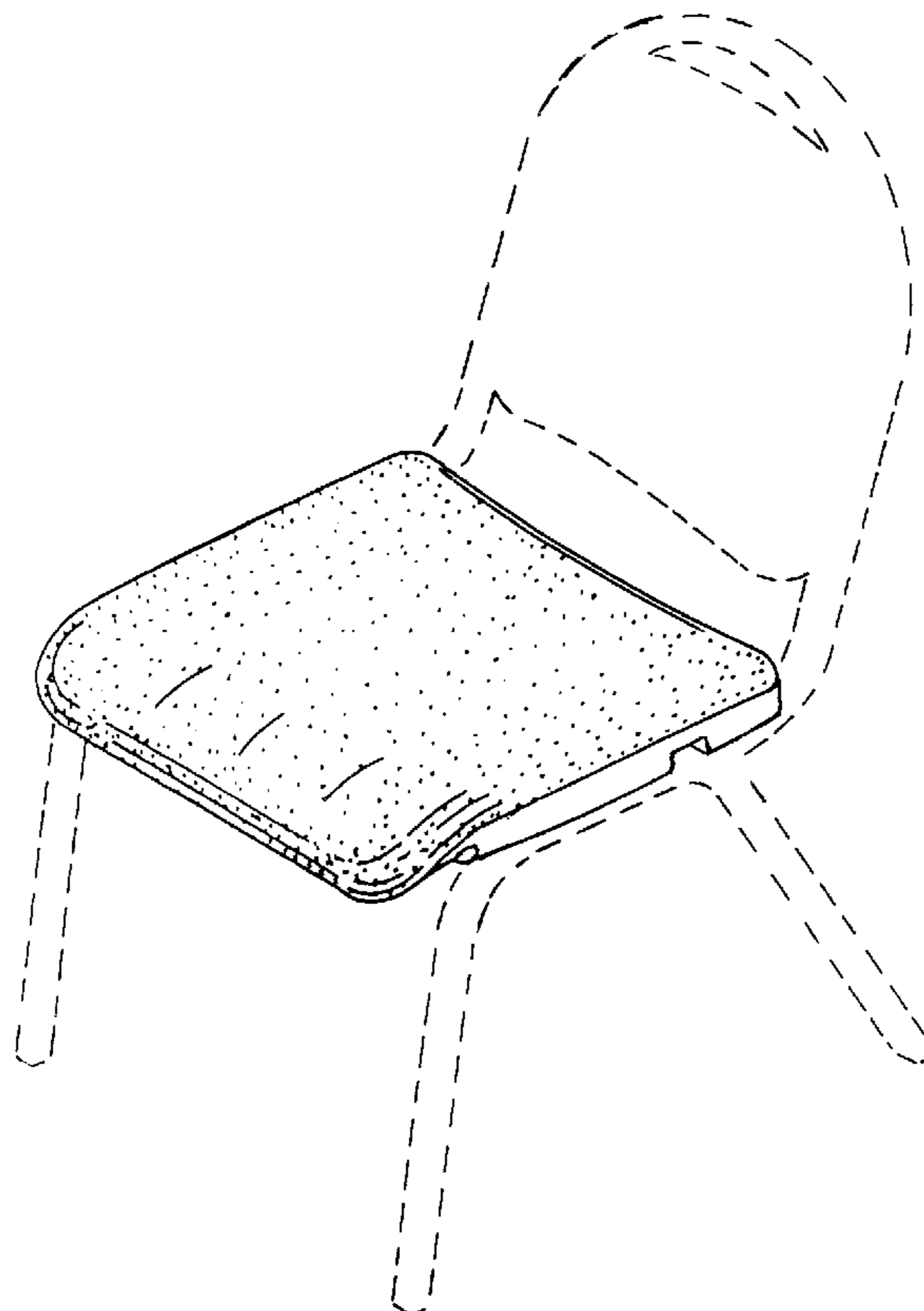
FIG. 3 is an enlarged right-side elevational view thereof, with the left-side elevational view being a mirror image thereof;

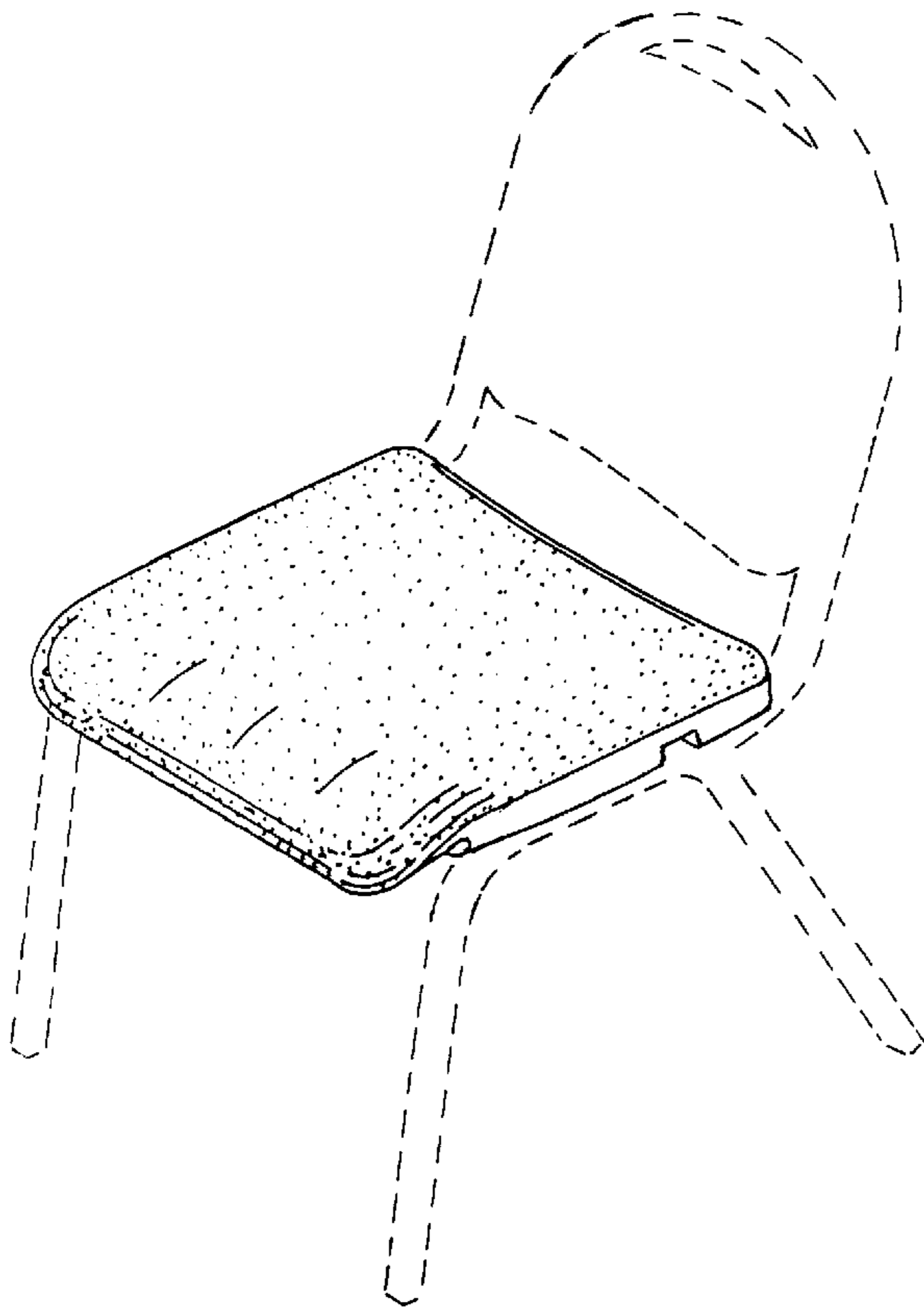
FIG. 4 is an enlarged rear view thereof;

FIG. 5 is an enlarged top plan view thereof; and,

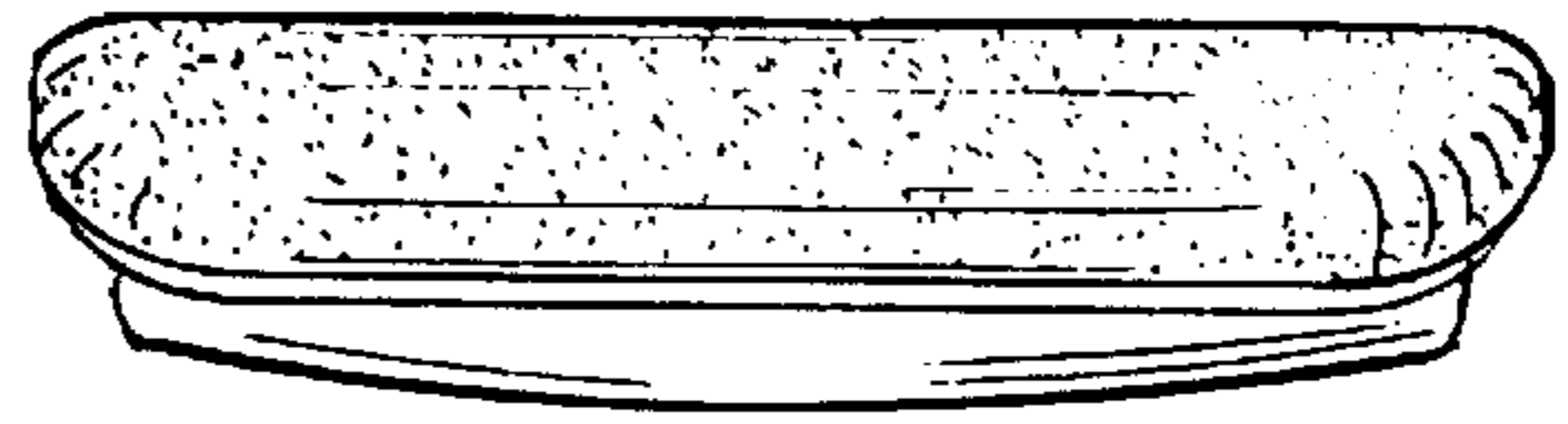
FIG. 6 is an enlarged bottom view thereof.

**1 Claim, 1 Drawing Sheet**





*FIG. 1*



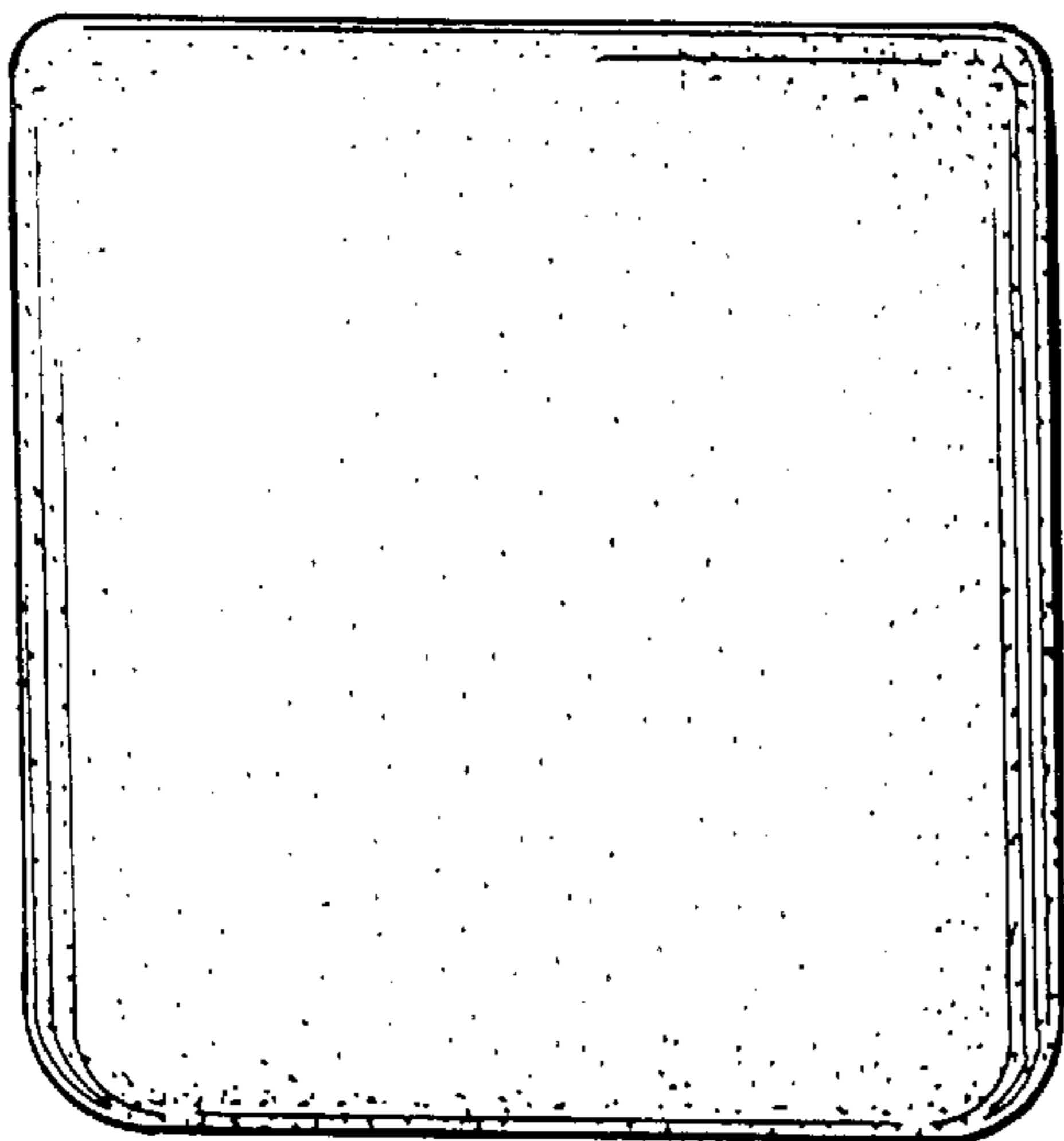
*FIG. 2*



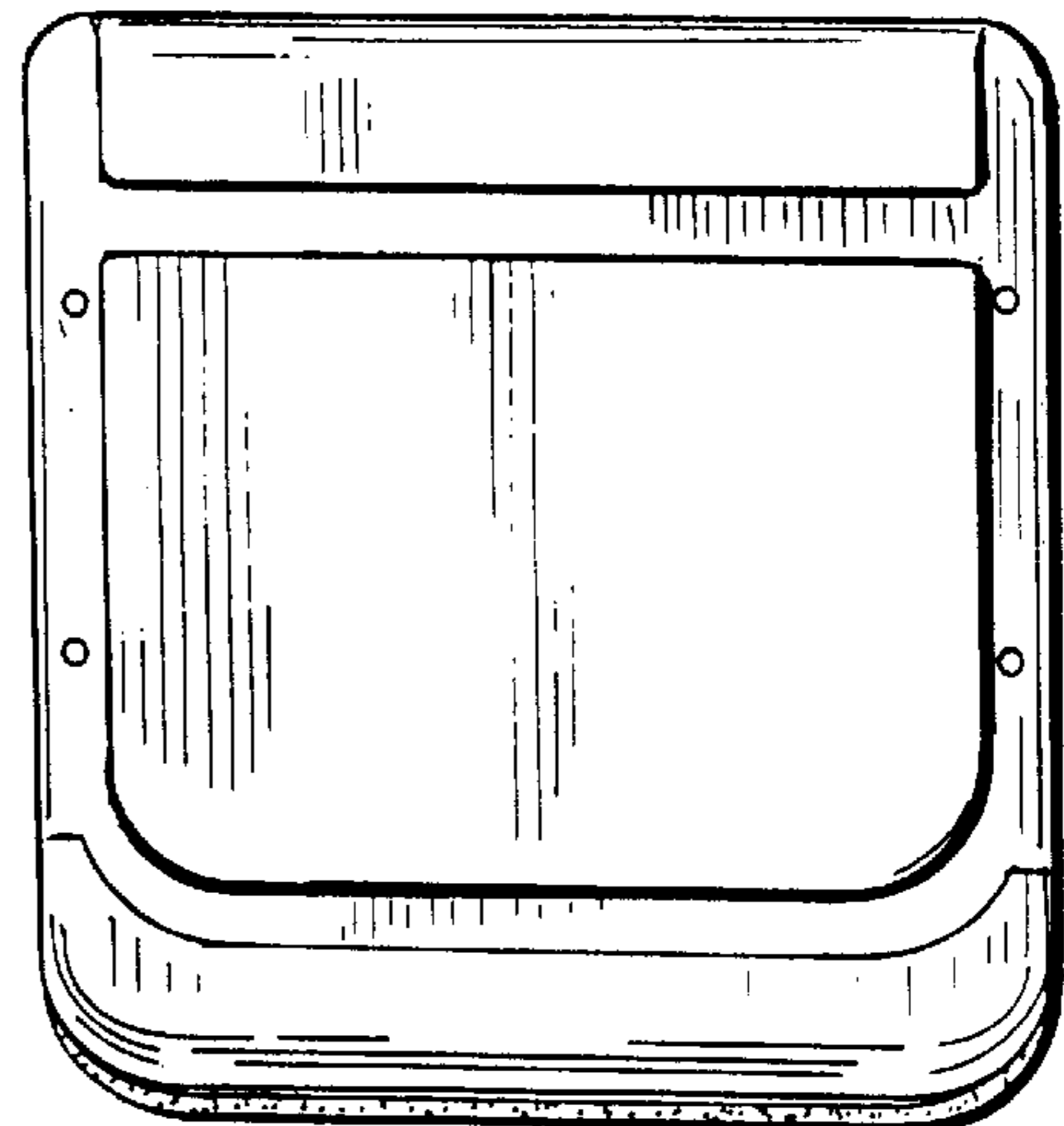
*FIG. 3*



*FIG. 4*



*FIG. 5*



*FIG. 6*