



US00D434253S

# United States Patent [19]

Turner et al.

[11] **Patent Number: Des. 434,253**

[45] **Date of Patent: \*\* Nov. 28, 2000**

[54] **SEAT BOTTOM**

D. 395,764 7/1998 Dozsa-Farkas ..... D6/372

[75] Inventors: **Dennis M. Turner**, Mooresville;  
**Andrew Mendenhall**, Indianapolis;  
**Nancy Rasche**, Lebanon, all of Ind.

### OTHER PUBLICATIONS

Photographs of prior art chair sample (date unknown) (Photos 1-7) (Four Sheets).

[73] Assignee: **Cosco Management, Inc.**, Wilmington, Del.

*Primary Examiner*—Doris V. Coles  
*Assistant Examiner*—Mimosa De  
*Attorney, Agent, or Firm*—Barnes & Thornburg

[\*\*] Term: **14 Years**

### [57] CLAIM

[21] Appl. No.: **29/116,640**

The ornamental design for a seat bottom, as shown and described.

[22] Filed: **Jan. 7, 2000**

### DESCRIPTION

[51] **LOC (7) Cl.** ..... **06-06**

[52] **U.S. Cl.** ..... **D6/502**

[58] **Field of Search** ..... D6/334, 335, 366,  
D6/368, 371, 372, 373, 374, 379, 380,  
500-502; 297/450.1, 452.1, 452.21, 447.2,  
447.3, 448.2

FIG. 1 is a perspective view of a seat bottom in accordance with our design with a chair which forms the environment of the seat bottom and forms no part of the claimed design, the chair or portions thereof being shown in broken lines for illustrative purposes only.

### [56] References Cited

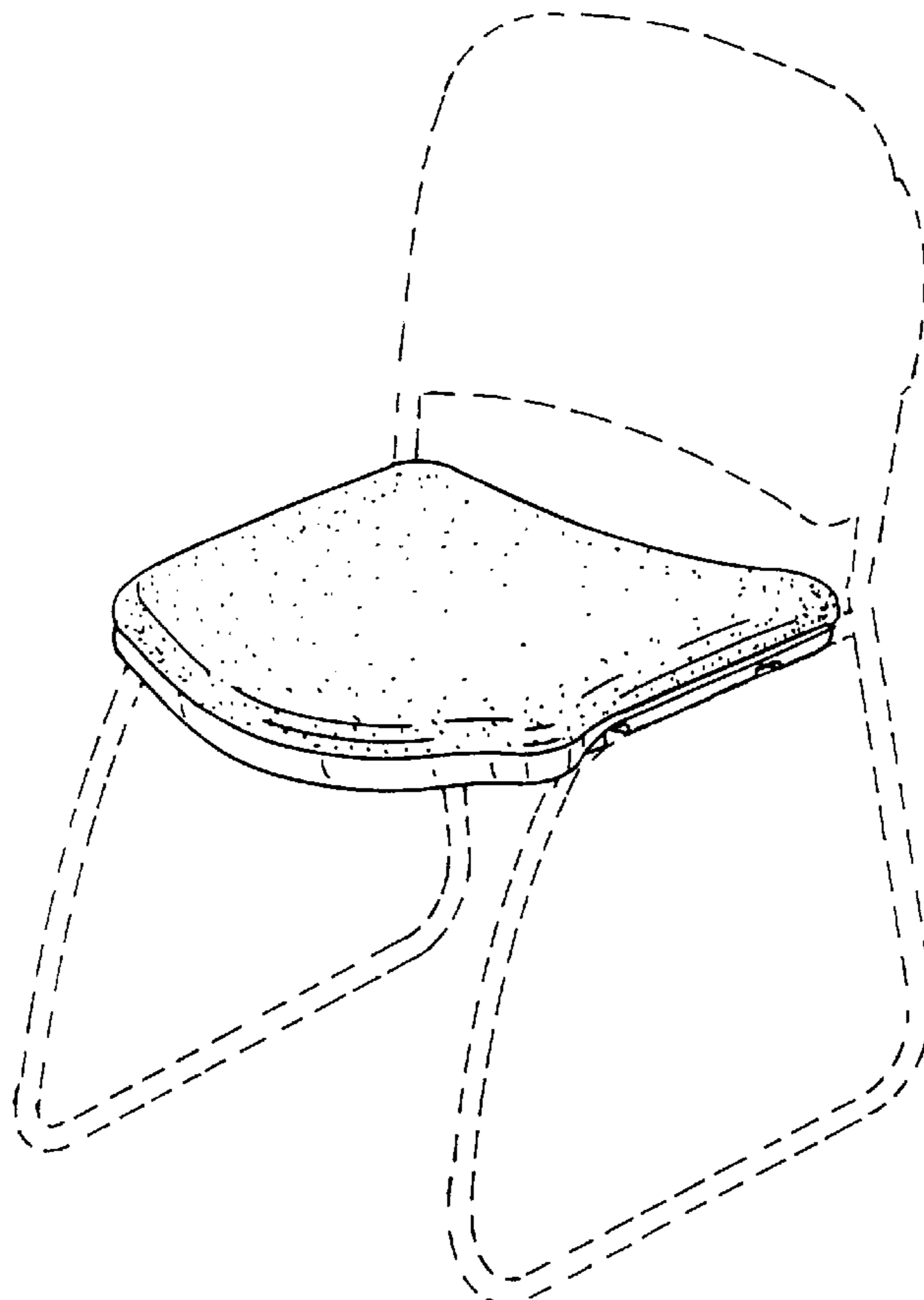
#### U.S. PATENT DOCUMENTS

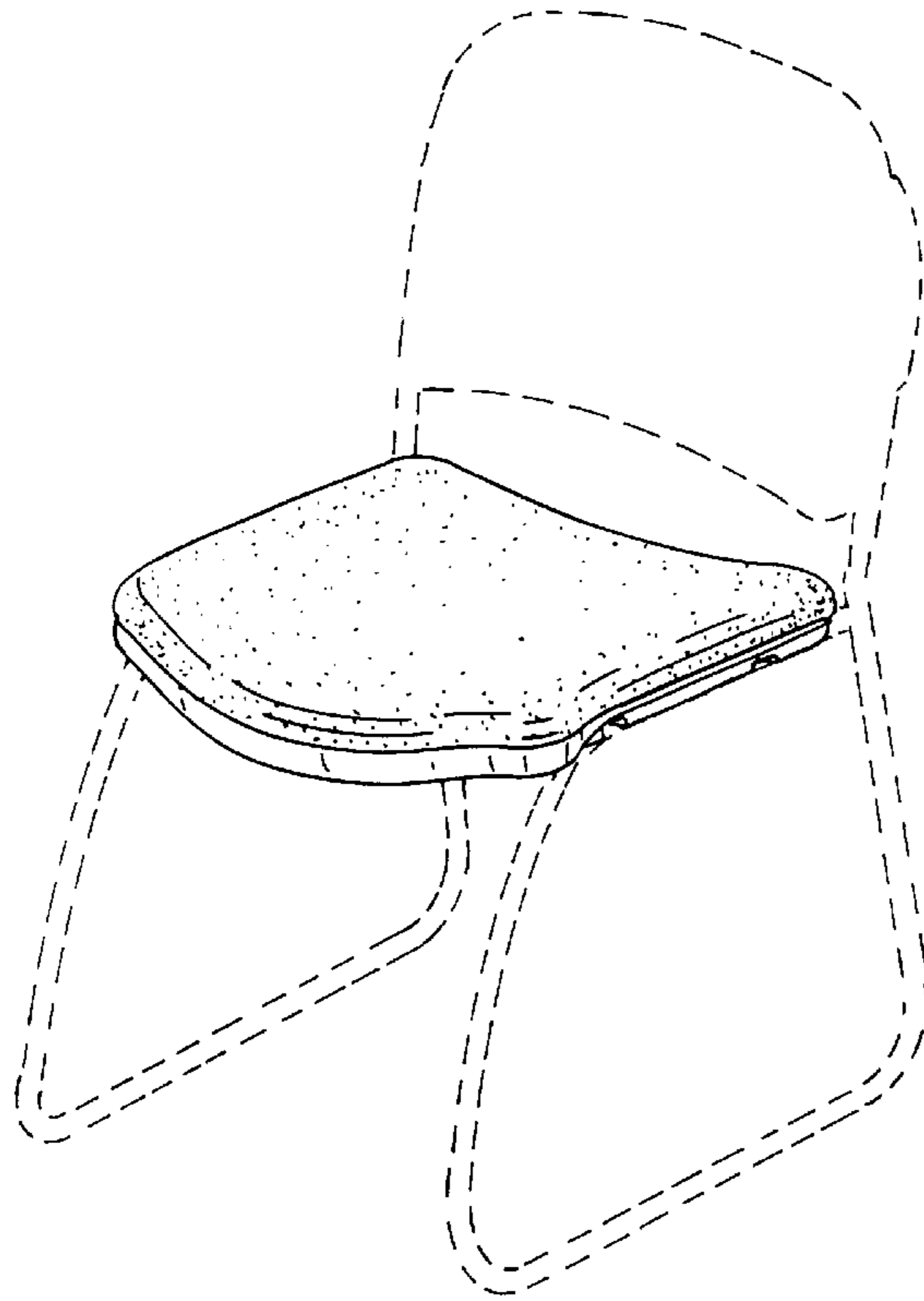
D. 227,953	7/1973	Prizlow	.....	D6/366
D. 306,531	3/1990	Snodgrass	.....	D6/366
D. 327,587	7/1992	Piretti	.....	D6/380
D. 346,706	5/1994	Ochsner	.....	D6/372
D. 351,743	10/1994	Locher	.....	D6/373
D. 357,821	5/1995	Tedesco	.....	D6/380

FIG. 2 is an enlarged front elevational view thereof;  
FIG. 3 is an enlarged right-side elevational view thereof, with the left-side elevational view being a mirror image thereof;

FIG. 4 is an enlarged rear view thereof;  
FIG. 5 is an enlarged top plan view thereof; and,  
FIG. 6 is an enlarged bottom view thereof.

**1 Claim, 1 Drawing Sheet**

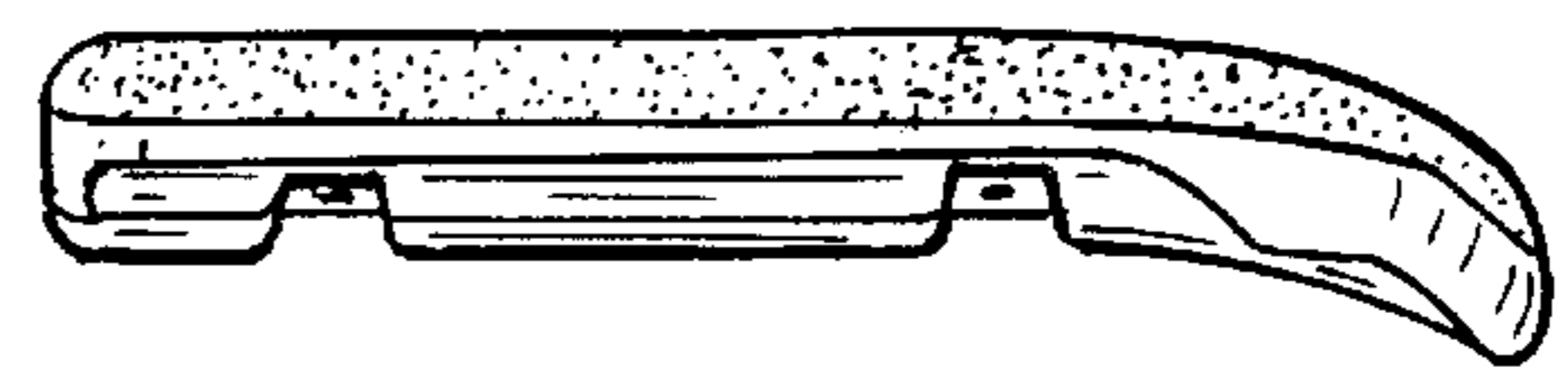




*FIG. 1*



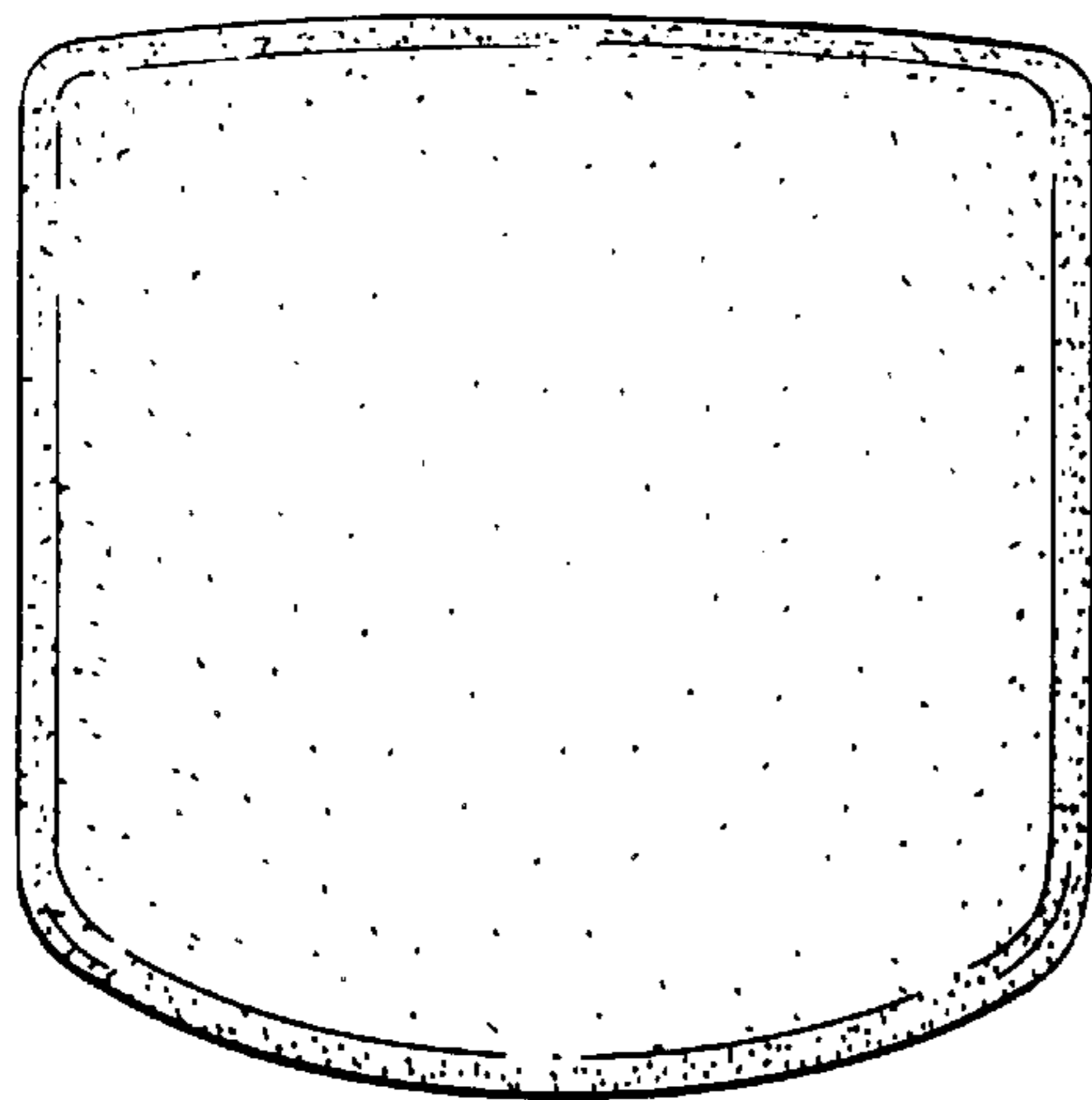
*FIG. 2*



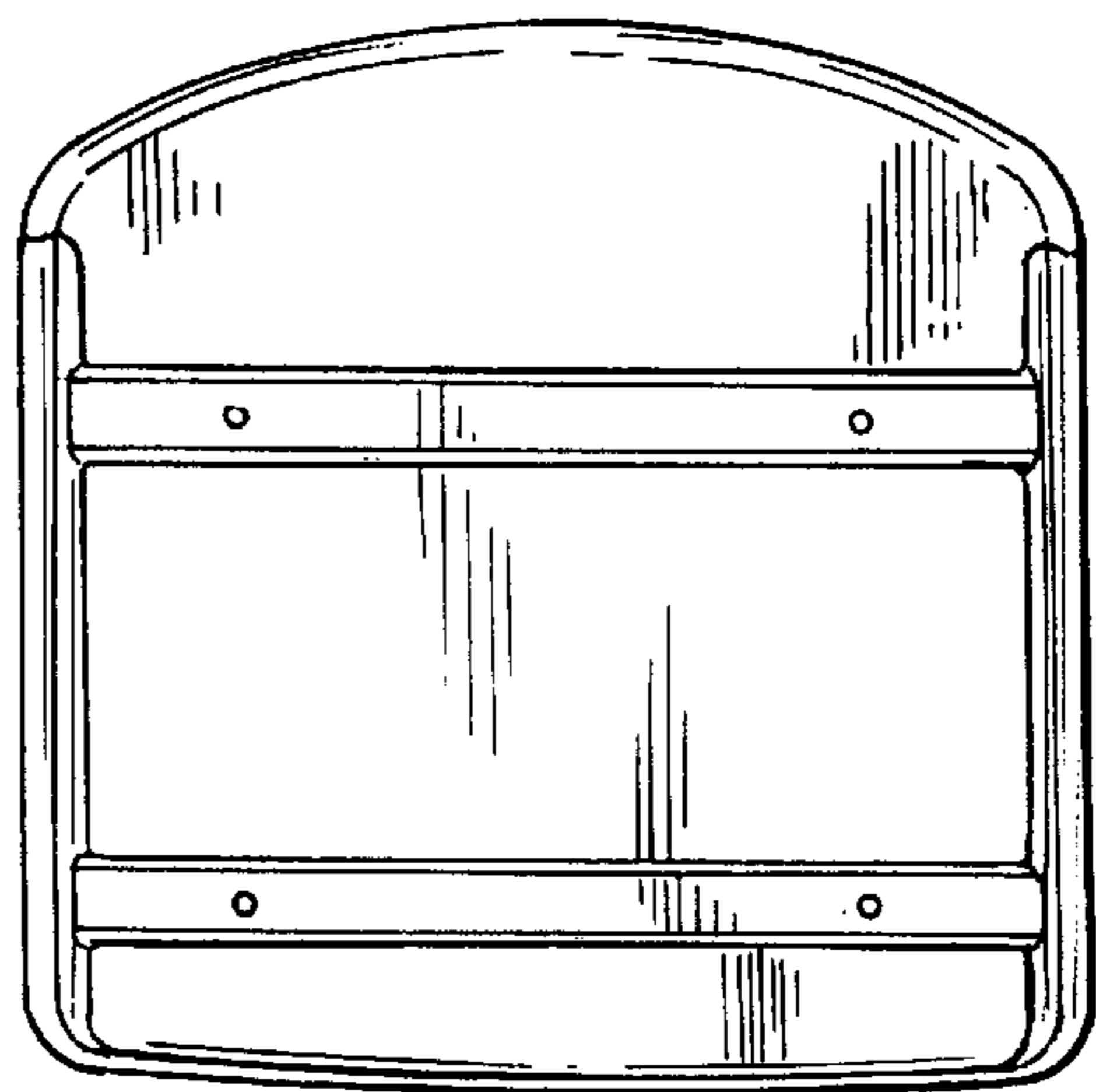
*FIG. 3*



*FIG. 4*



*FIG. 5*



*FIG. 6*