



US00D434248S

United States Patent [19] Krogh

[11] Patent Number: **Des. 434,248**

[45] Date of Patent: **** Nov. 28, 2000**

[54] **BOOKSTAND**

[76] Inventor: **Robert Carlin Krogh**, 3499 Stockton Dr., Mt. Pleasant, S.C. 29466

[**] Term: **14 Years**

[21] Appl. No.: **29/120,240**

[22] Filed: **Mar. 16, 2000**

[51] **LOC (7) Cl.** **06-04**

[52] **U.S. Cl.** **D6/419; D6/462**

[58] **Field of Search** D6/329, 419, 396, D6/407, 629, 449, 462-468, 512, 524, 527, 566; D19/75, 86, 90, 91; D7/631, 704; 211/106, 40, 10, 45, 13.1, 33, 41, 41.3, 41.4, 41.12, 42, 59.4, 50, 181.1; 248/441.1, 450, 465.1, 175

[56] **References Cited**

U.S. PATENT DOCUMENTS

D. 127,973 7/1941 Replogle D6/407

D. 180,955	9/1957	Lyons	D6/407
D. 264,032	4/1982	Rule	D19/90 X
D. 357,940	5/1995	Linder	D19/91
D. 358,271	5/1995	Leveen et al.	D6/419
D. 404,932	2/1999	Duggan	D6/419
2,238,451	4/1941	Roth	211/40
2,281,845	5/1942	Kaplan	211/40

Primary Examiner—Catherine Tuttle

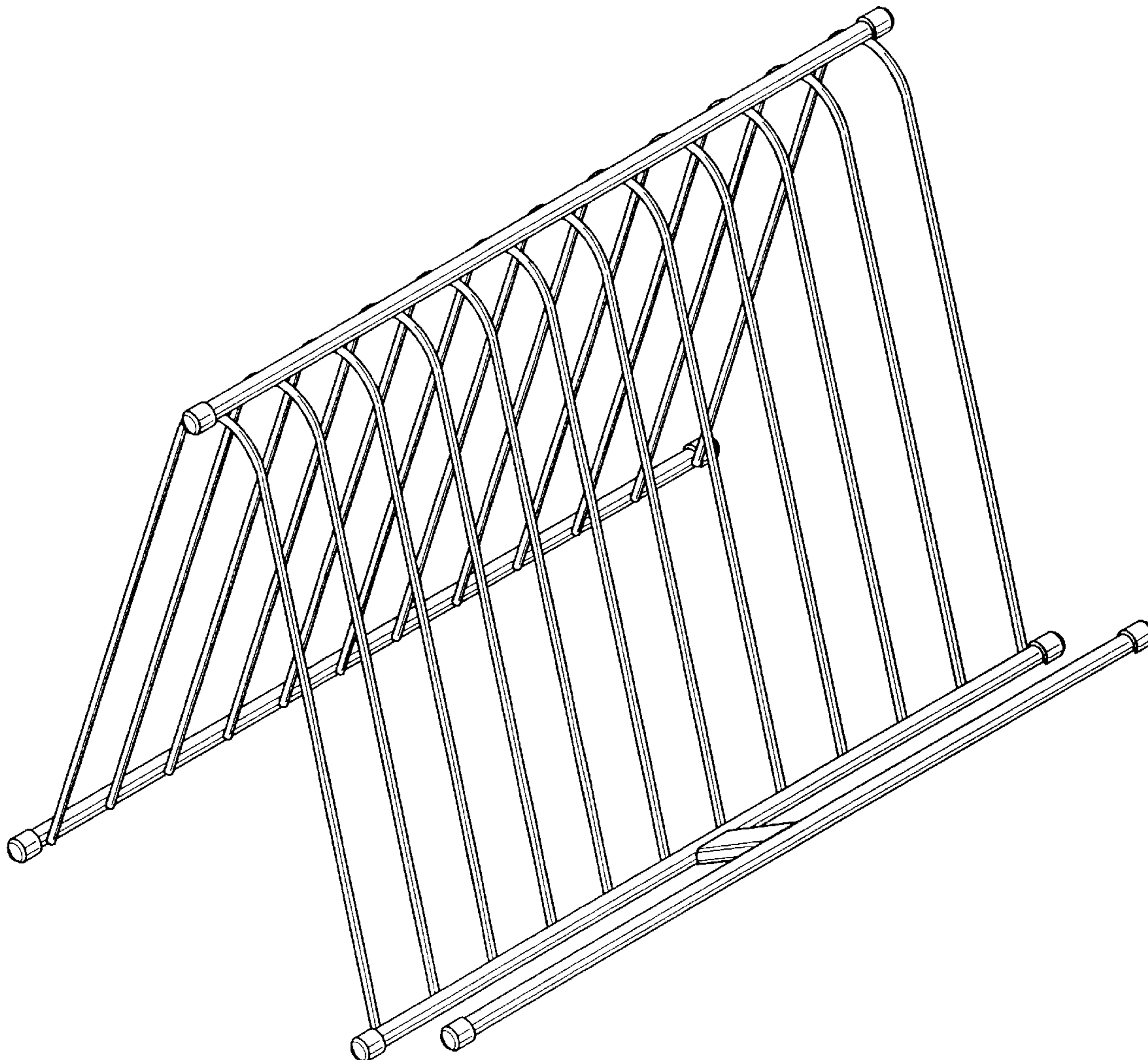
[57] **CLAIM**

The ornamental design for a bookstand, substantially as shown.

DESCRIPTION

FIG. 1 is a perspective view of the inventive bookstand; FIG. 2 is a front view of the inventive bookstand; FIG. 3 is a side view of the inventive bookstand; and, FIG. 4 is a top view of the inventive bookstand.

1 Claim, 3 Drawing Sheets



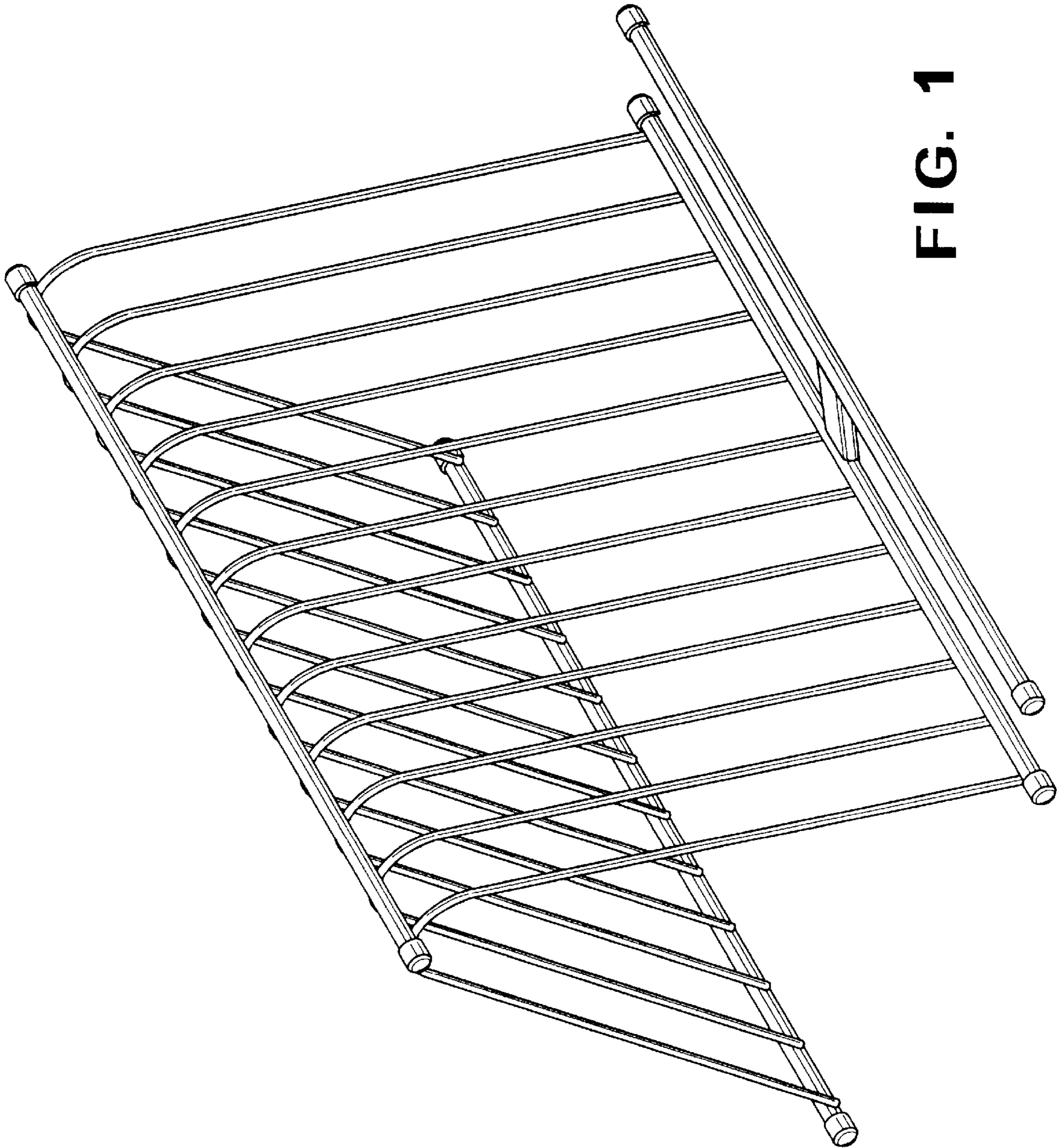


FIG. 1

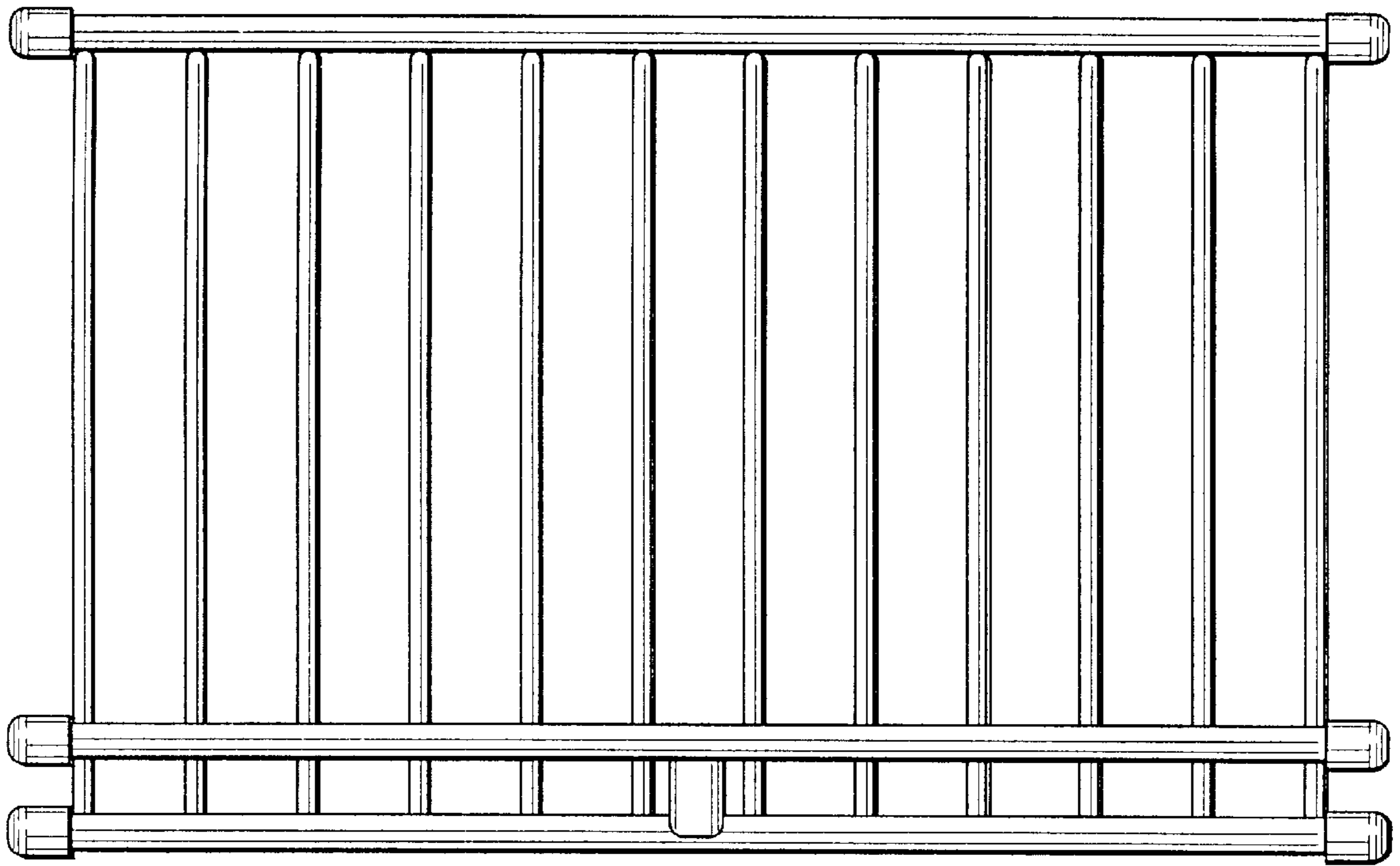


FIG. 2

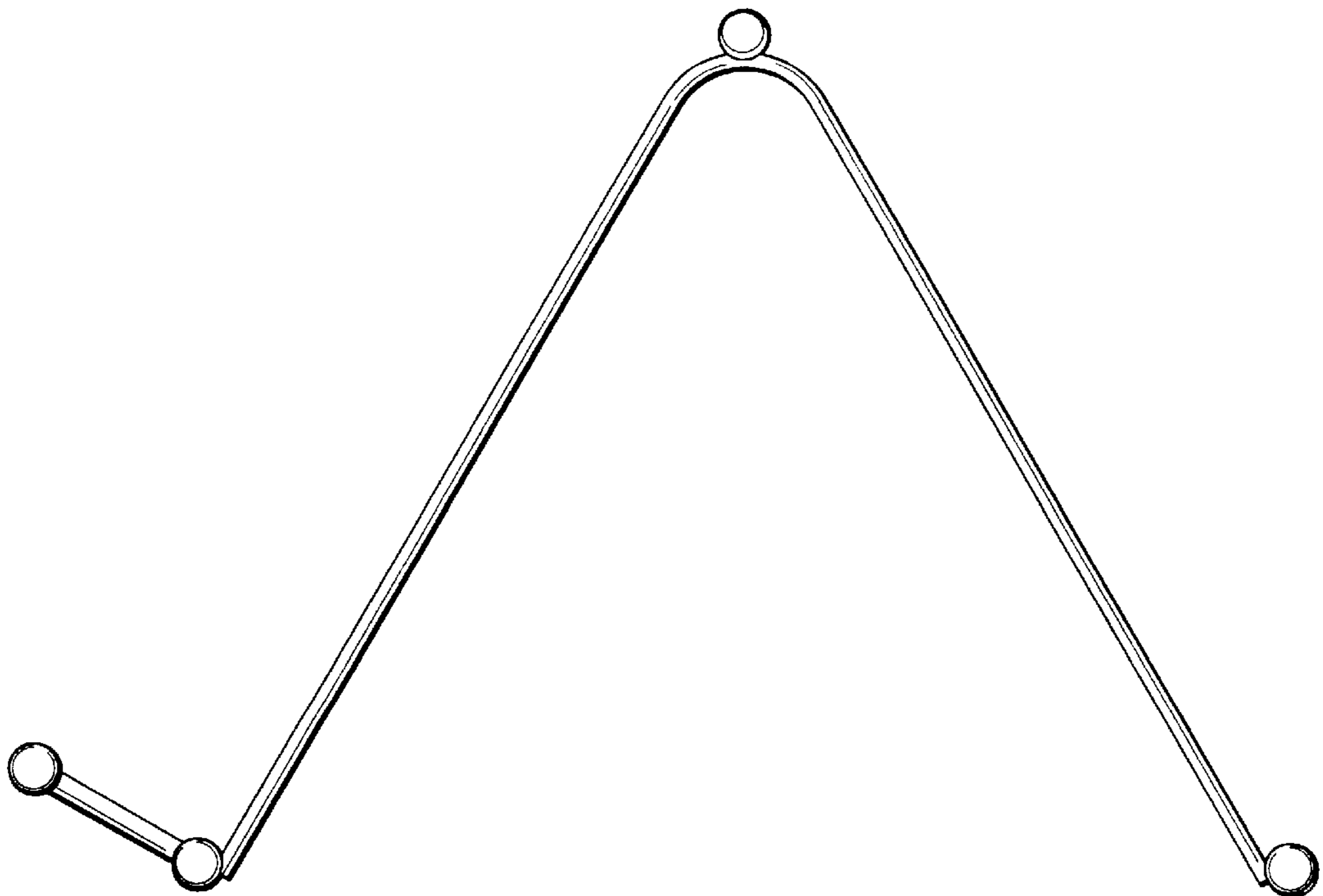


FIG. 3

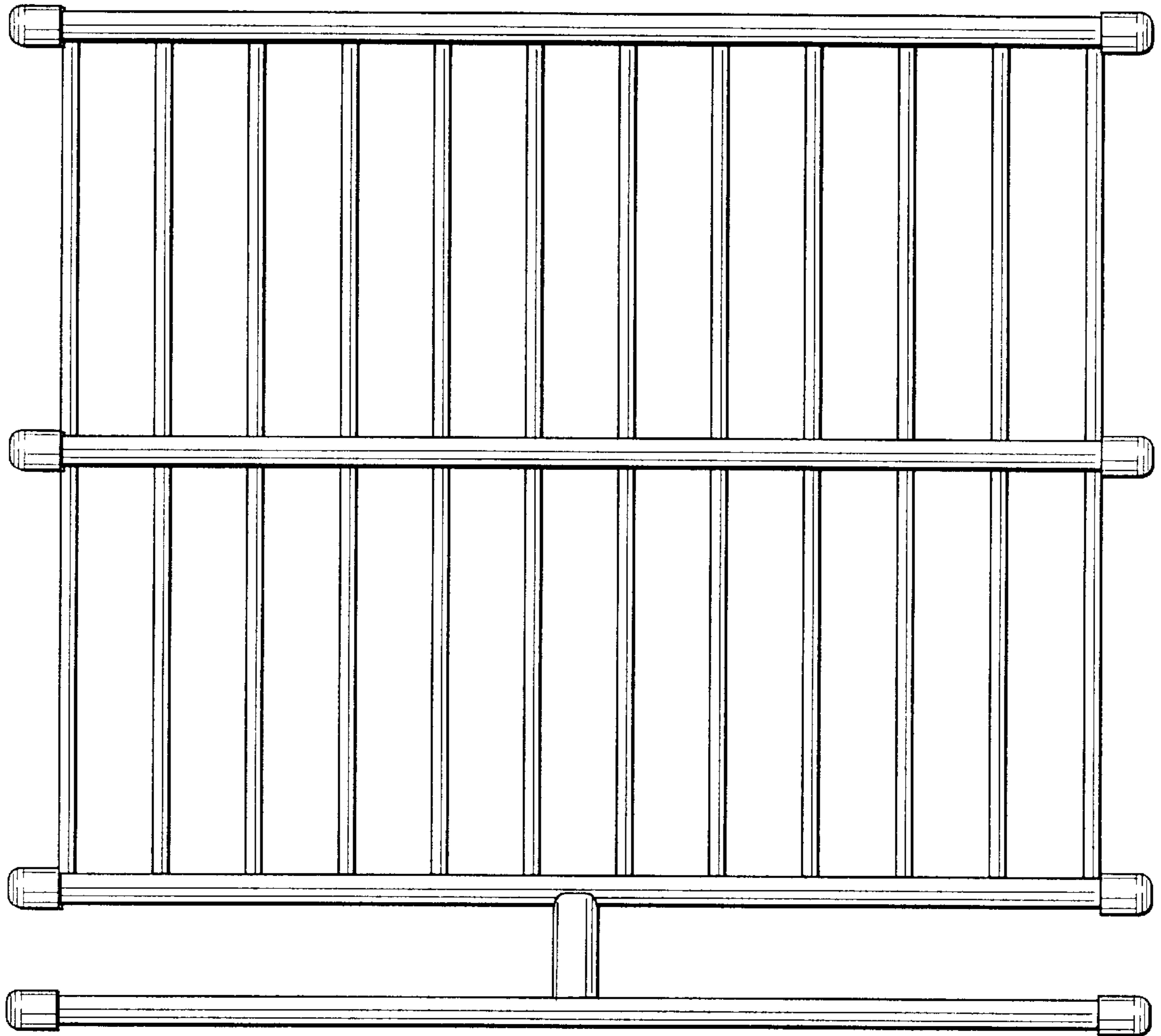


FIG. 4