



US00D434243S

United States Patent [19]

[11] Patent Number: Des. 434,243

Casto et al.

[45] Date of Patent: ** Nov. 28, 2000

[54] CONVERTIBLE/INFLATABLE FURNITURE

[75] Inventors: Douglas R. Casto, Witchita, Kans.; James T. Sener, Glastonbury, Conn.

[73] Assignee: The Coleman Company, Inc.

[**] Term: 14 Years

[21] Appl. No.: 29/102,465

[22] Filed: Mar. 24, 1999

[51] LOC (7) Cl. 06-01

[52] U.S. Cl. D6/381

[58] Field of Search D6/334, 335, 336, D6/360, 372, 364, 377, 381; D21/803; 297/112, 118, 452.41; 5/12.1, 706, 722, 17, 31, 35, 36, 42.1, 690; 441/129-132

[56] References Cited

U.S. PATENT DOCUMENTS

D. 244,070	4/1977	Marks .	
D. 335,222	5/1993	Washington, Jr. .	
D. 395,556	6/1998	Lieberman	D6/334
D. 399,350	10/1998	Hudson et al.	D6/334
D. 406,870	3/1999	Bauman	D21/803
D. 407,230	3/1999	Lieberman	D6/381
D. 407,568	4/1999	Tseng	D6/334
2,023,605	12/1935	Mandell	5/46.1
2,424,139	7/1947	Bebry	5/31
2,623,574	12/1952	Damsch .	
2,843,181	7/1958	Paschen .	
3,469,882	9/1969	Larsen .	
3,555,581	1/1971	Friant .	
3,740,774	6/1973	Powell .	
3,742,526	7/1973	Lillard .	
3,751,739	8/1973	Assmann .	
3,890,658	6/1975	Petersilie .	
3,902,759	9/1975	Monteforte et al. .	
4,173,045	11/1979	Osborn .	
4,518,203	5/1985	White .	
4,905,332	3/1990	Wang .	
5,086,529	2/1992	DeGroot .	
5,560,056	10/1996	Tai .	

OTHER PUBLICATIONS

Primary II Rocker #450189, Country II Sofa #450162, Best catalog, p. 314, 1989/19.

Primary Examiner—Doris V. Coles
Assistant Examiner—Mimosa De
Attorney, Agent, or Firm—Kramer, Levin, Naftalis & Frankel LLP

[57] CLAIM

The ornamental design for convertible/inflatable furniture, as shown and described.

DESCRIPTION

FIG. 1 is a top, front, and left side perspective view of an embodiment of convertible/inflatable furniture showing our new design;

FIG. 2 is a top plan view thereof;

FIG. 3 is a front elevational view thereof;

FIG. 4 is a right side elevational view thereof;

FIG. 5 is a left side elevational view thereof;

FIG. 6 is a rear elevational view thereof;

FIG. 7 is a bottom plan view thereof;

FIG. 8 is a top, front and left side perspective view thereof, showing the convertible/inflatable furniture with the seat cushion completely unfolded;

FIG. 9 is a top plan view thereof, showing the convertible/inflatable furniture with the seat cushion completely unfolded;

FIG. 10 is a front elevational view thereof, showing the convertible/inflatable furniture with the seat cushion completely unfolded;

FIG. 11 is a rear elevational view thereof, showing the convertible/inflatable furniture with the seat cushion completely unfolded;

FIG. 12 is a right side elevational view thereof, showing the convertible/inflatable furniture with the seat cushion completely unfolded;

FIG. 13 is a left side elevational view thereof, showing the convertible/inflatable furniture with the seat cushion completely unfolded;

FIG. 14 is a bottom plan view thereof, showing the convertible/inflatable furniture with the seat cushion completely unfolded; and

FIG. 15 is a top, front and left side perspective view thereof, showing the convertible/inflatable furniture with the seat cushion partially unfolded.

FIG. 16 is a top, front, and left side perspective view of a second embodiment of convertible/inflatable furniture showing our new design;

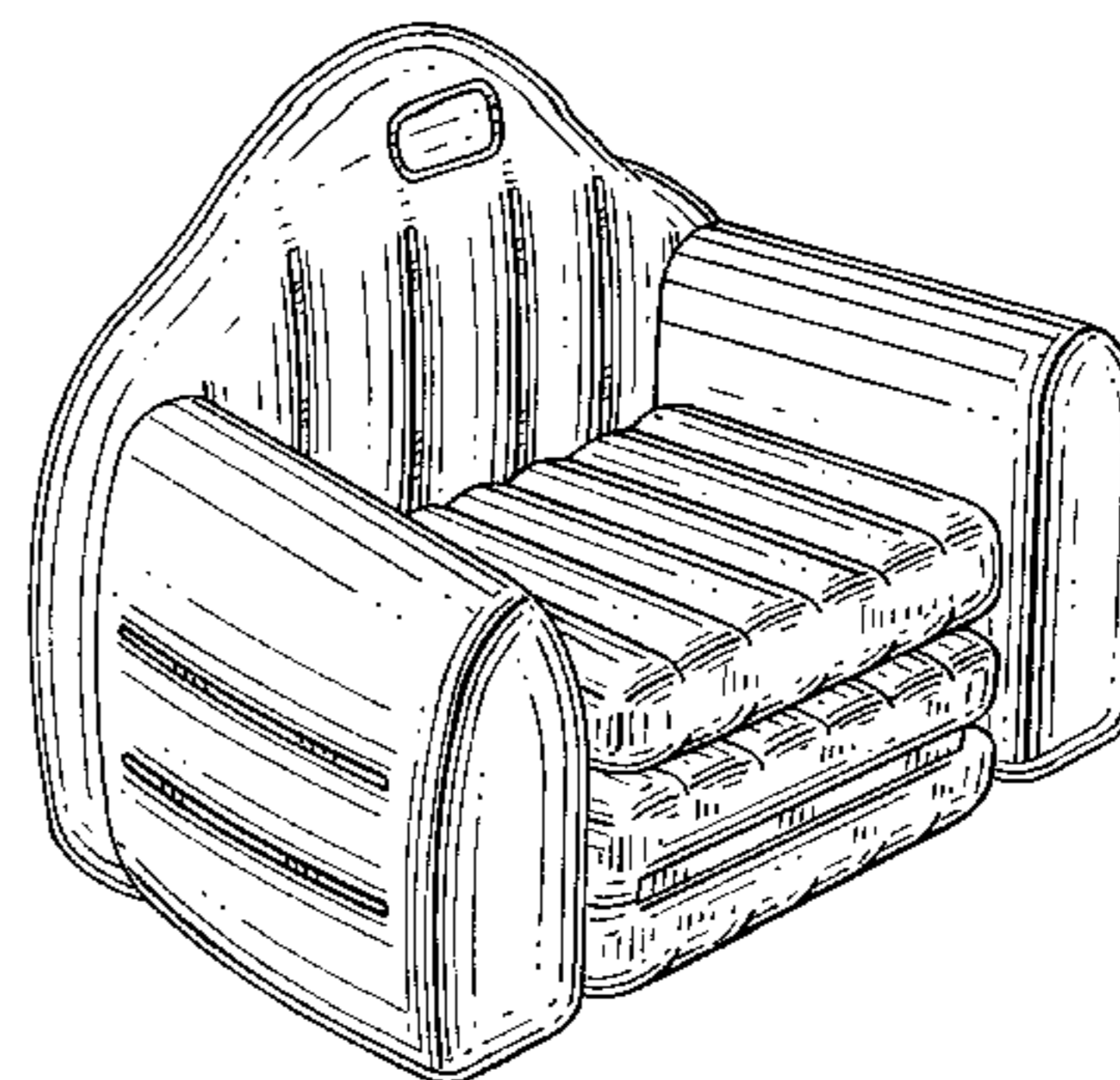
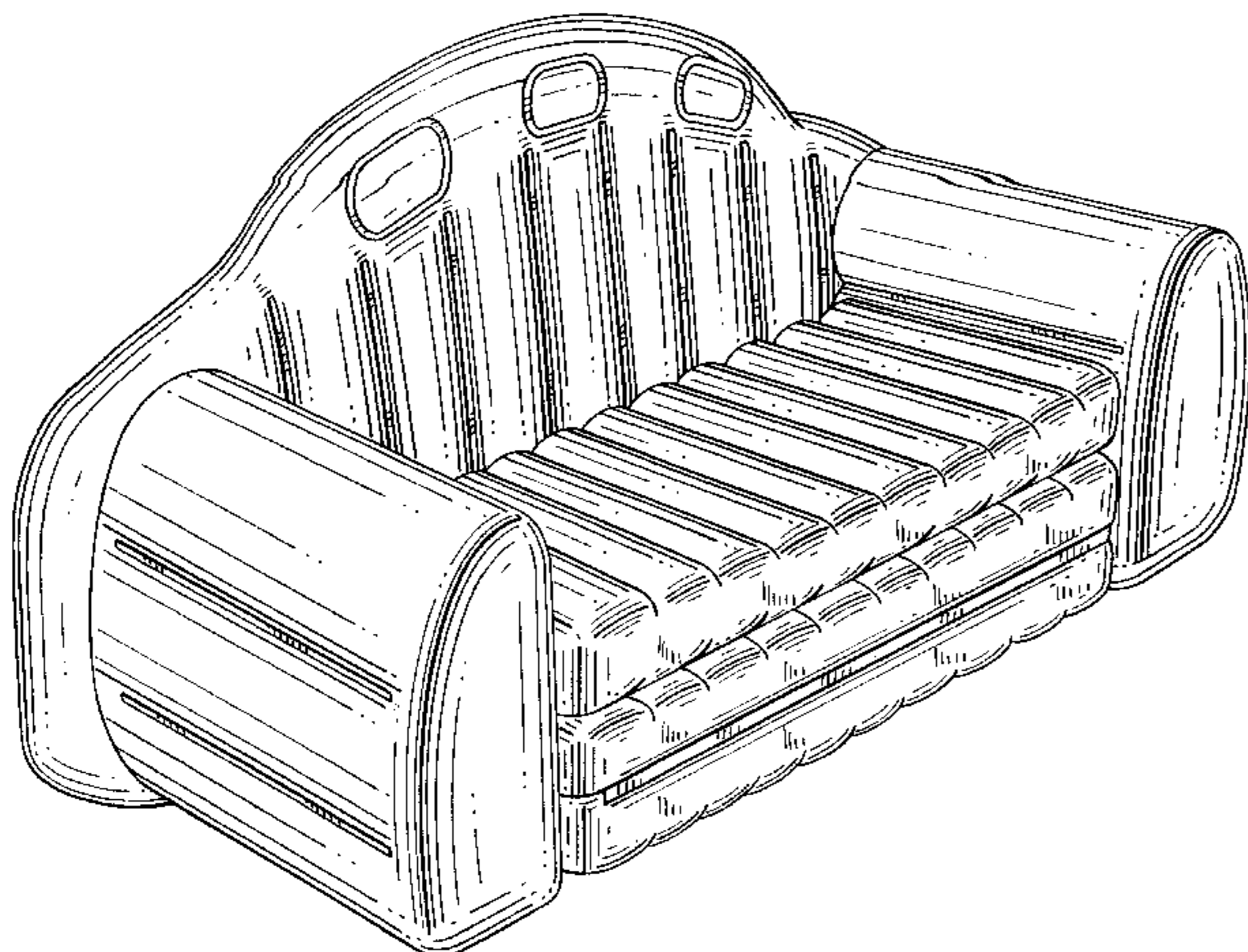


FIG. 17 is a top plan view thereof;
FIG. 18 is a front elevational view thereof;
FIG. 19 is a right side elevational view thereof;
FIG. 20 is a left side elevational view thereof;
FIG. 21 is a rear elevational view thereof;
FIG. 22 is a bottom plan view thereof;
FIG. 23 is a top, front, and left side perspective view of a second embodiment of the convertible/inflatable furniture with the seat cushion completely unfolded;
FIG. 24 is a top plan view thereof, showing the second embodiment of the convertible/inflatable furniture with the seat cushion completely unfolded;
FIG. 25 is a front elevational view thereof, showing the second embodiment of the convertible/inflatable furniture with the seat cushion completely unfolded;
FIG. 26 is a rear elevational view thereof, showing the second embodiment of the convertible/inflatable furniture with the seat cushion completely unfolded;

FIG. 27 is a right side elevational view thereof, showing the second embodiment of the convertible/inflatable furniture with the seat cushion completely unfolded;

FIG. 28 is a left side elevational view thereof, showing the second embodiment of the convertible/inflatable furniture with the seat cushion completely unfolded;

FIG. 29 is a bottom plan view thereof, showing the second embodiment of the convertible/inflatable furniture with the seat cushion completely unfolded; and,

FIG. 30 is a top, front, and left side perspective view thereof, showing the second embodiment of the convertible/inflatable furniture with the seat cushion partially unfolded.

1 Claim, 20 Drawing Sheets

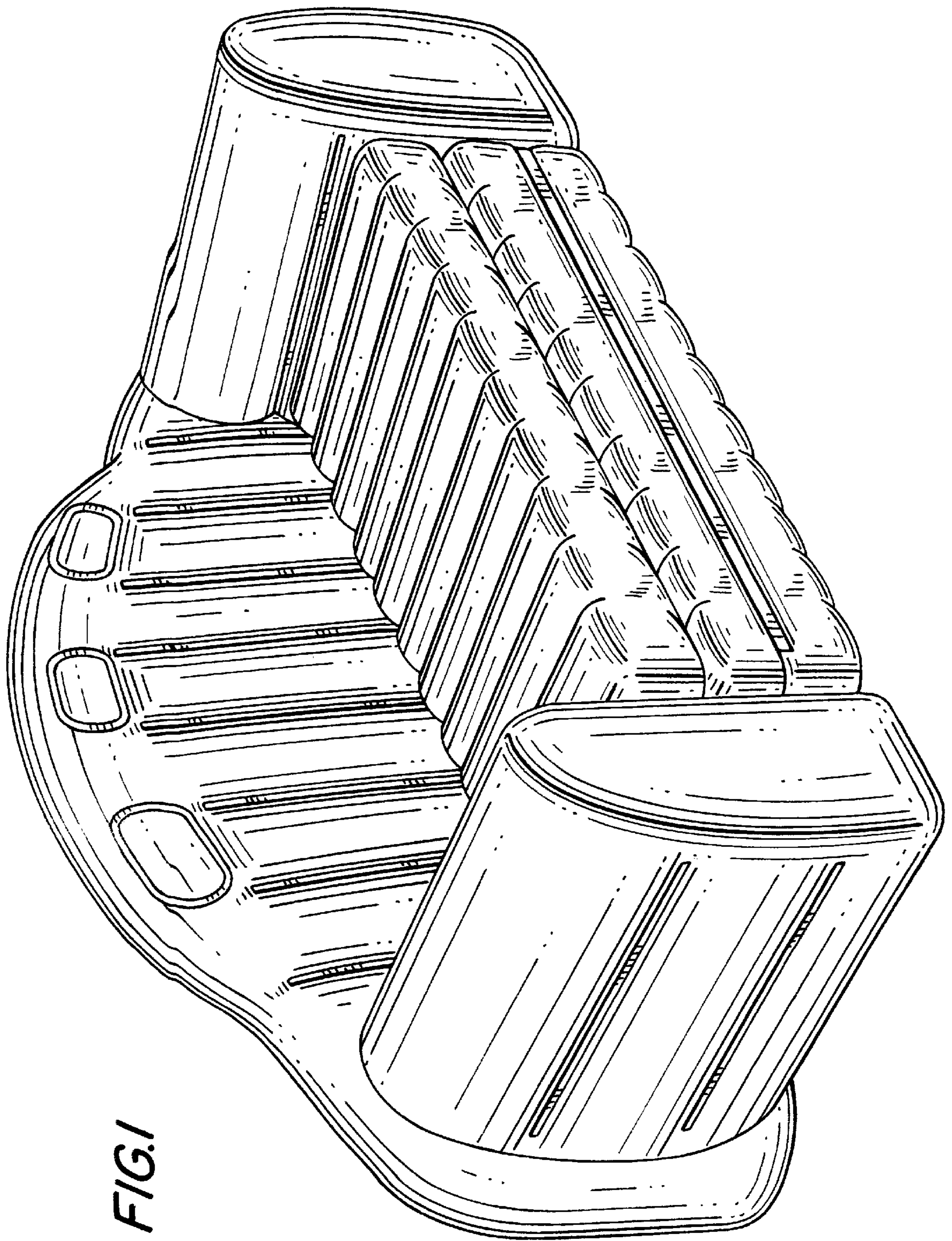


FIG. 1

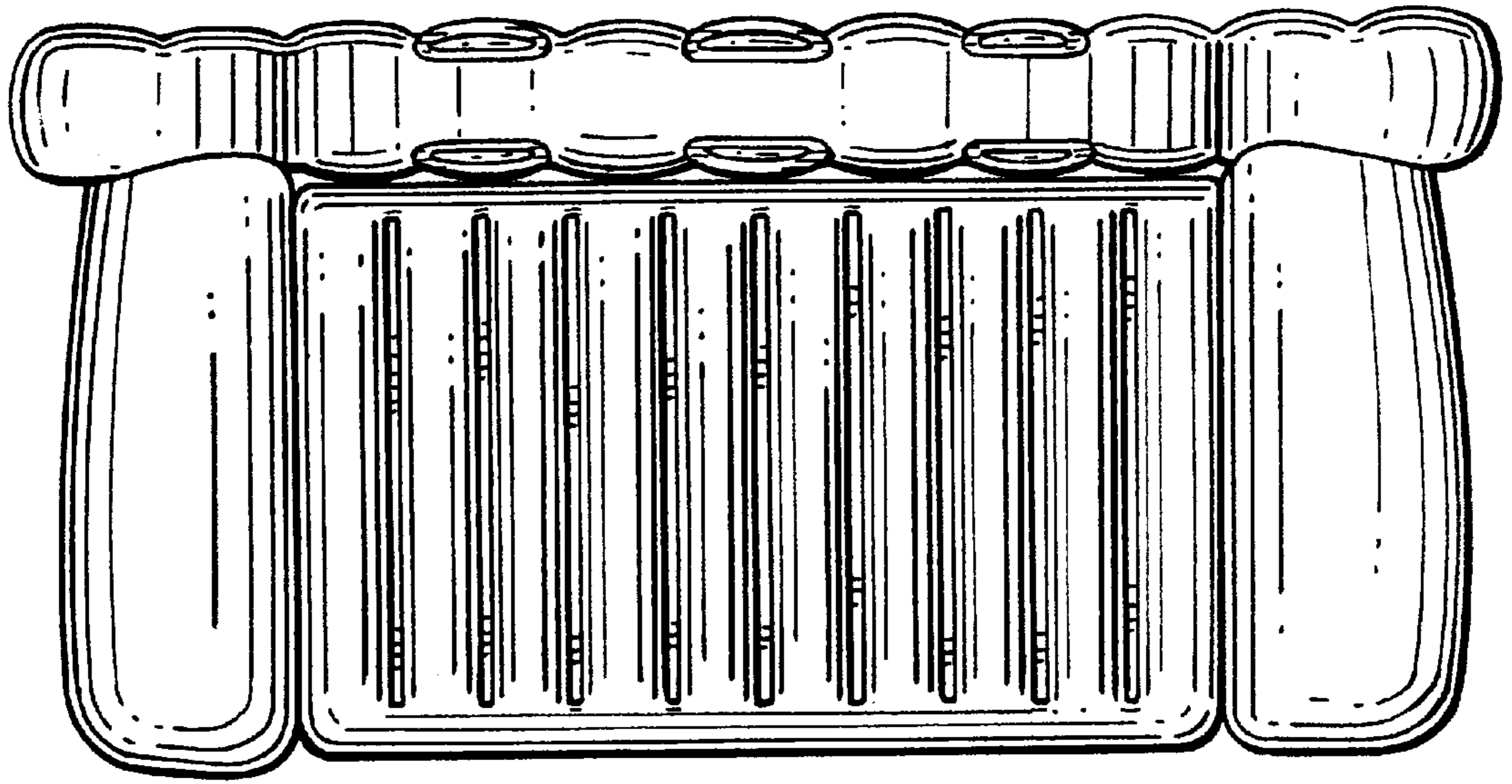


FIG. 2

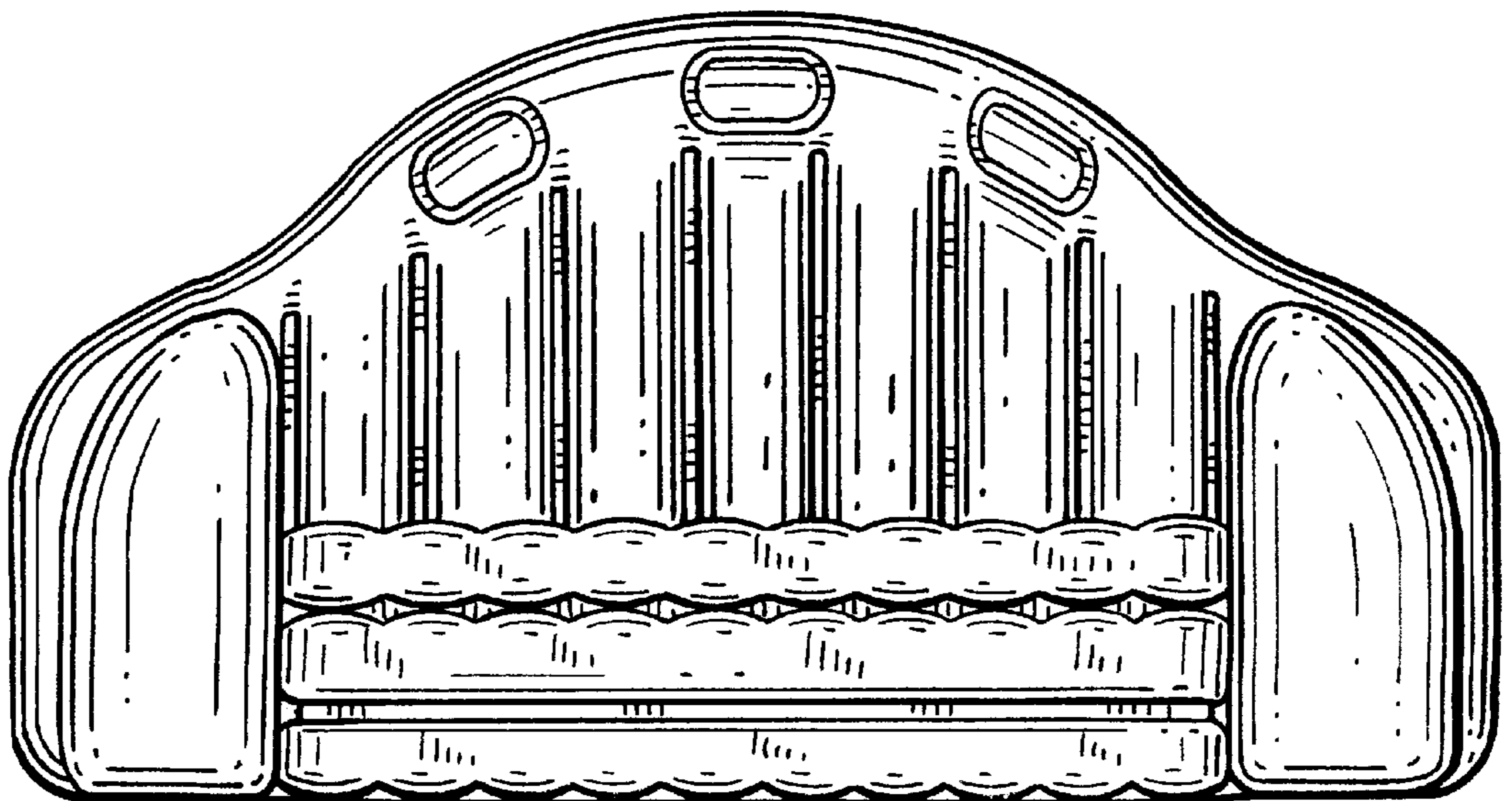


FIG. 3

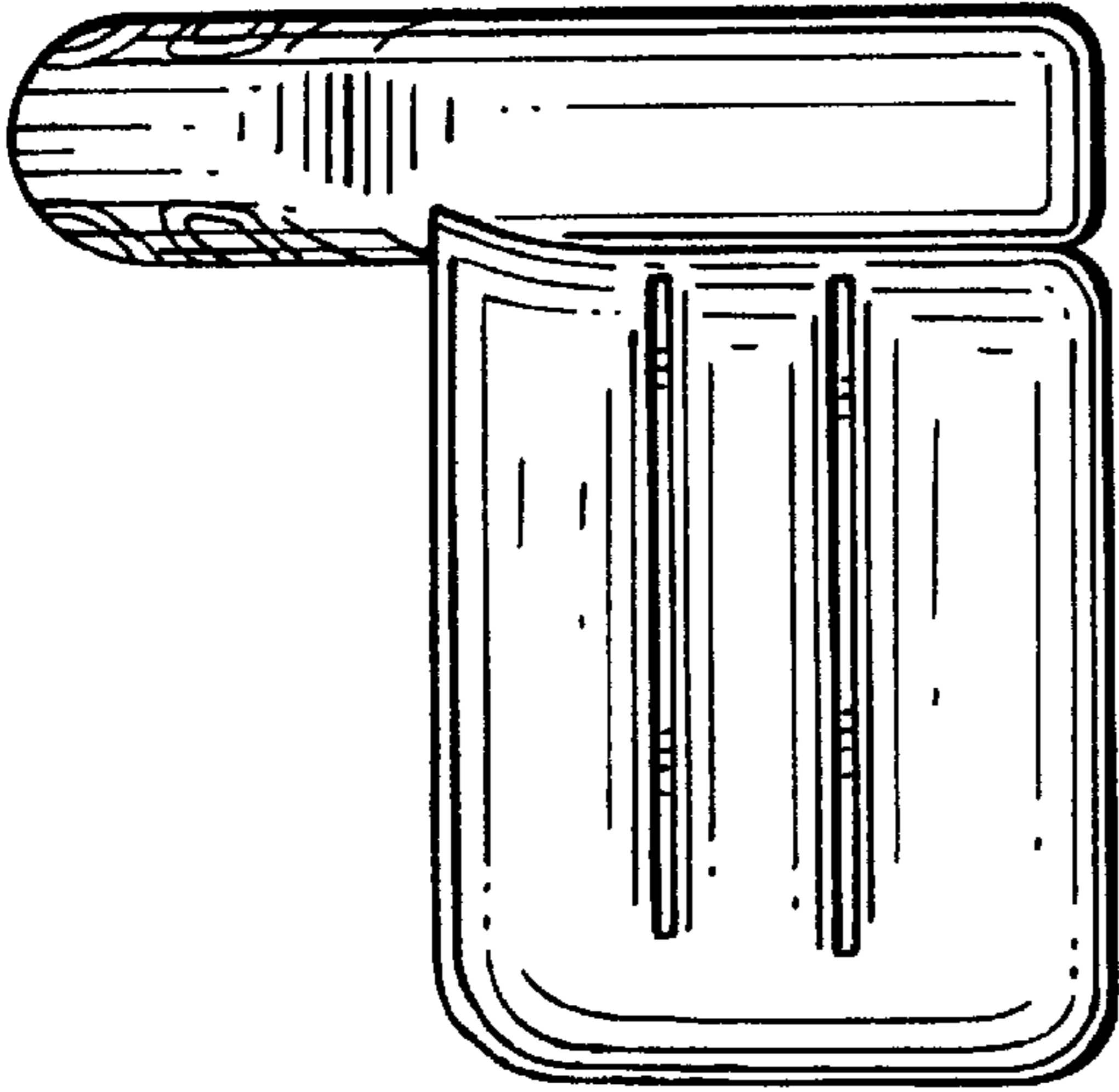


FIG. 4

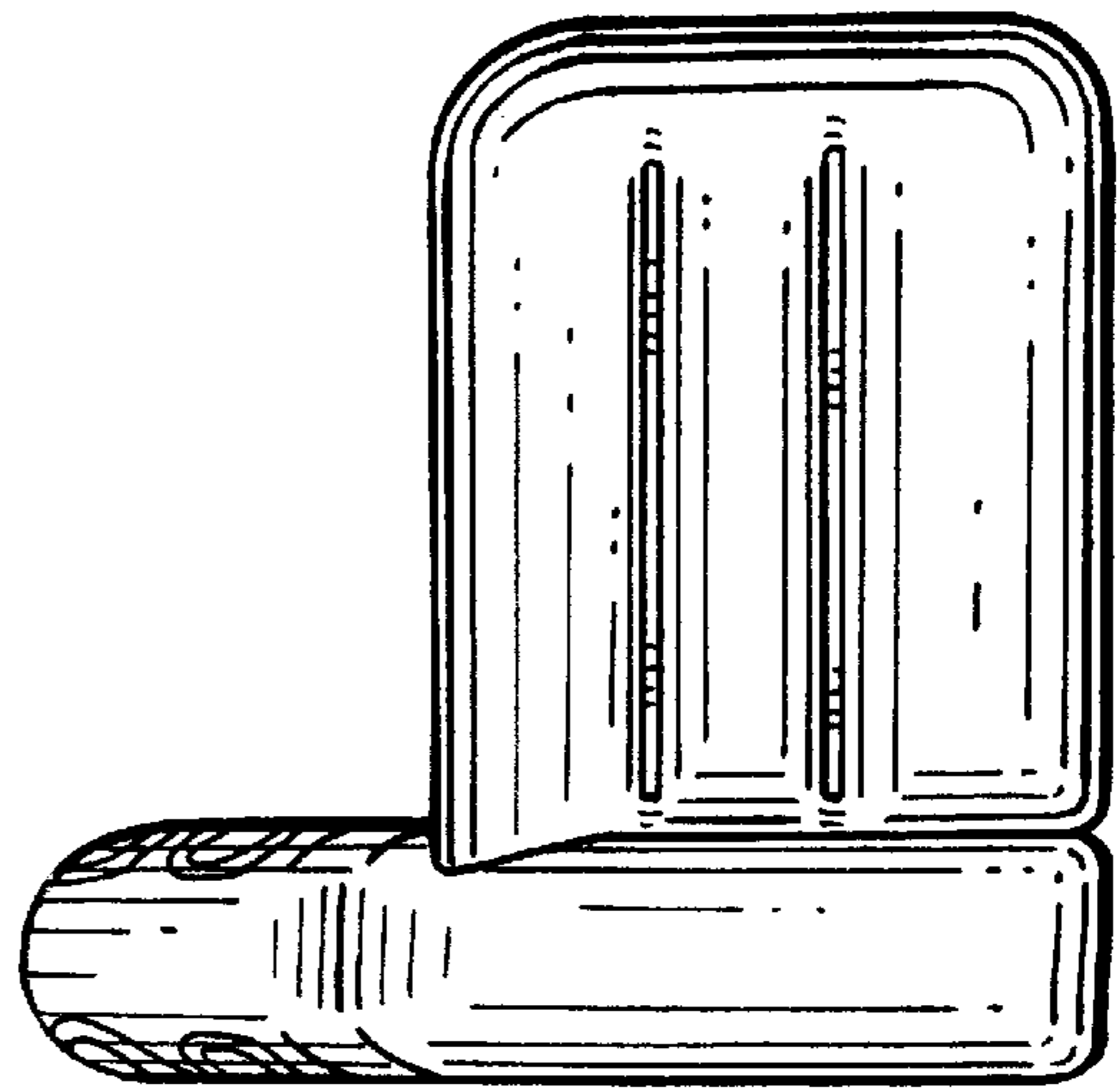


FIG. 5

FIG. 6

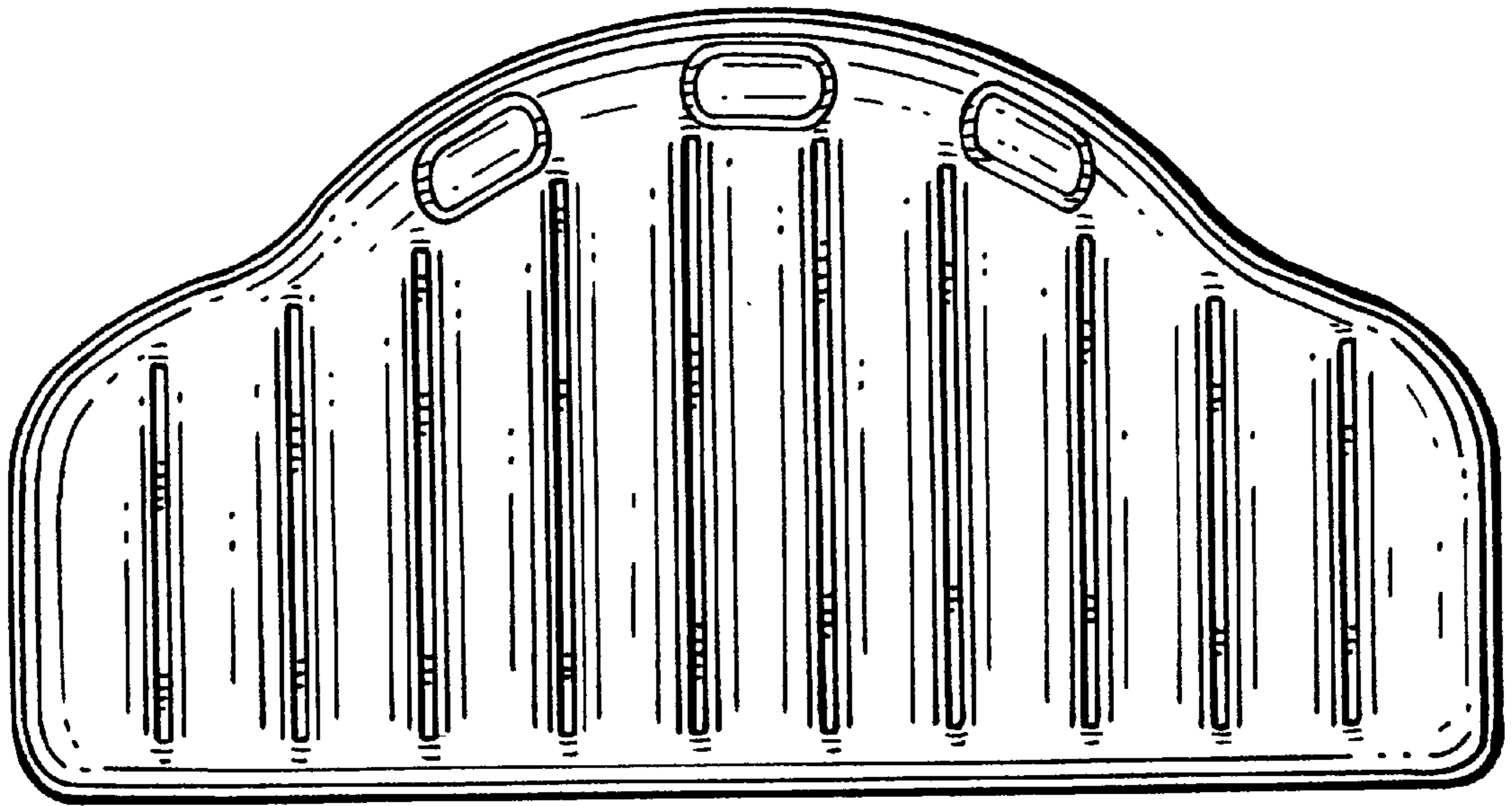


FIG. 7

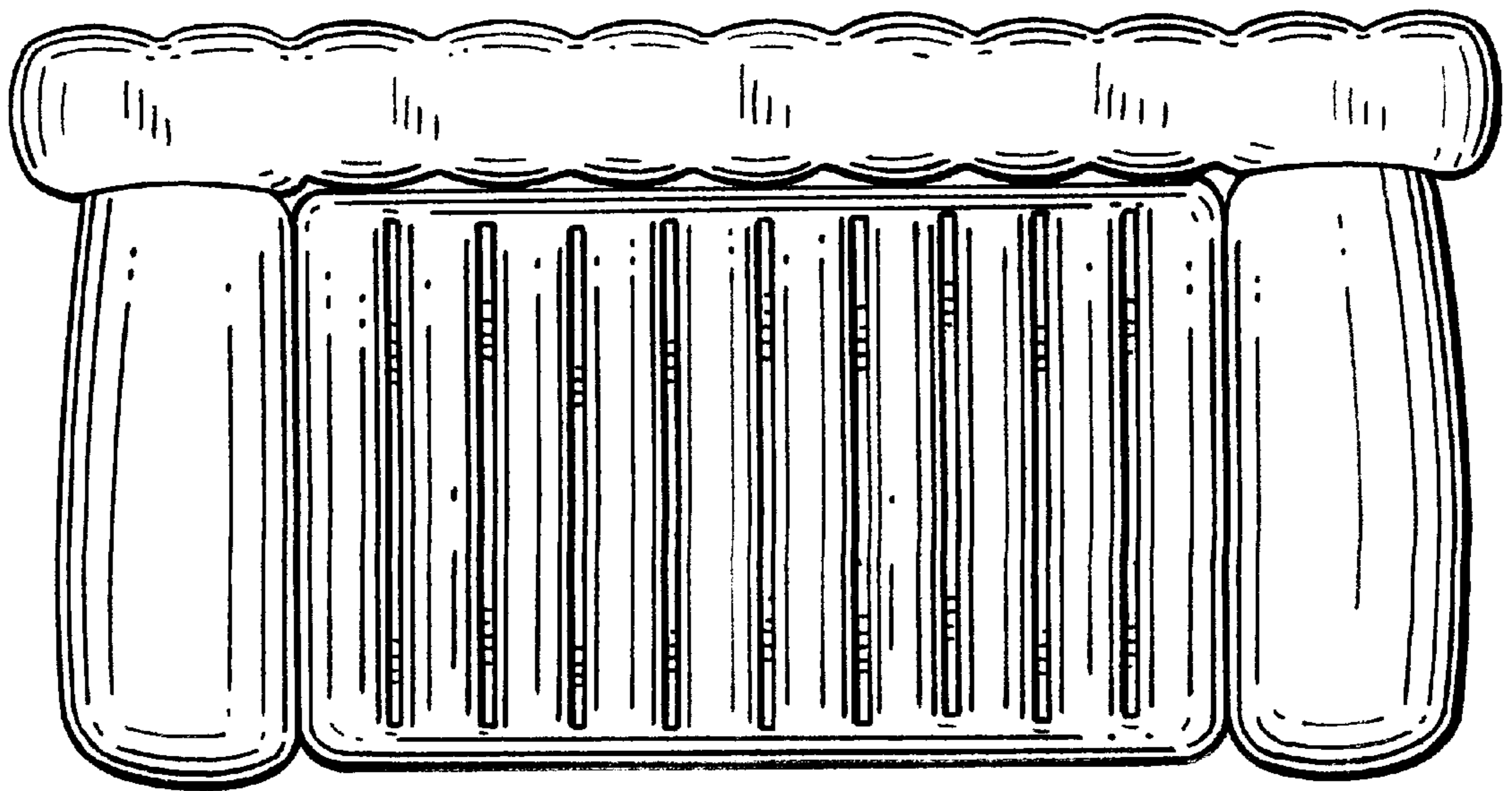
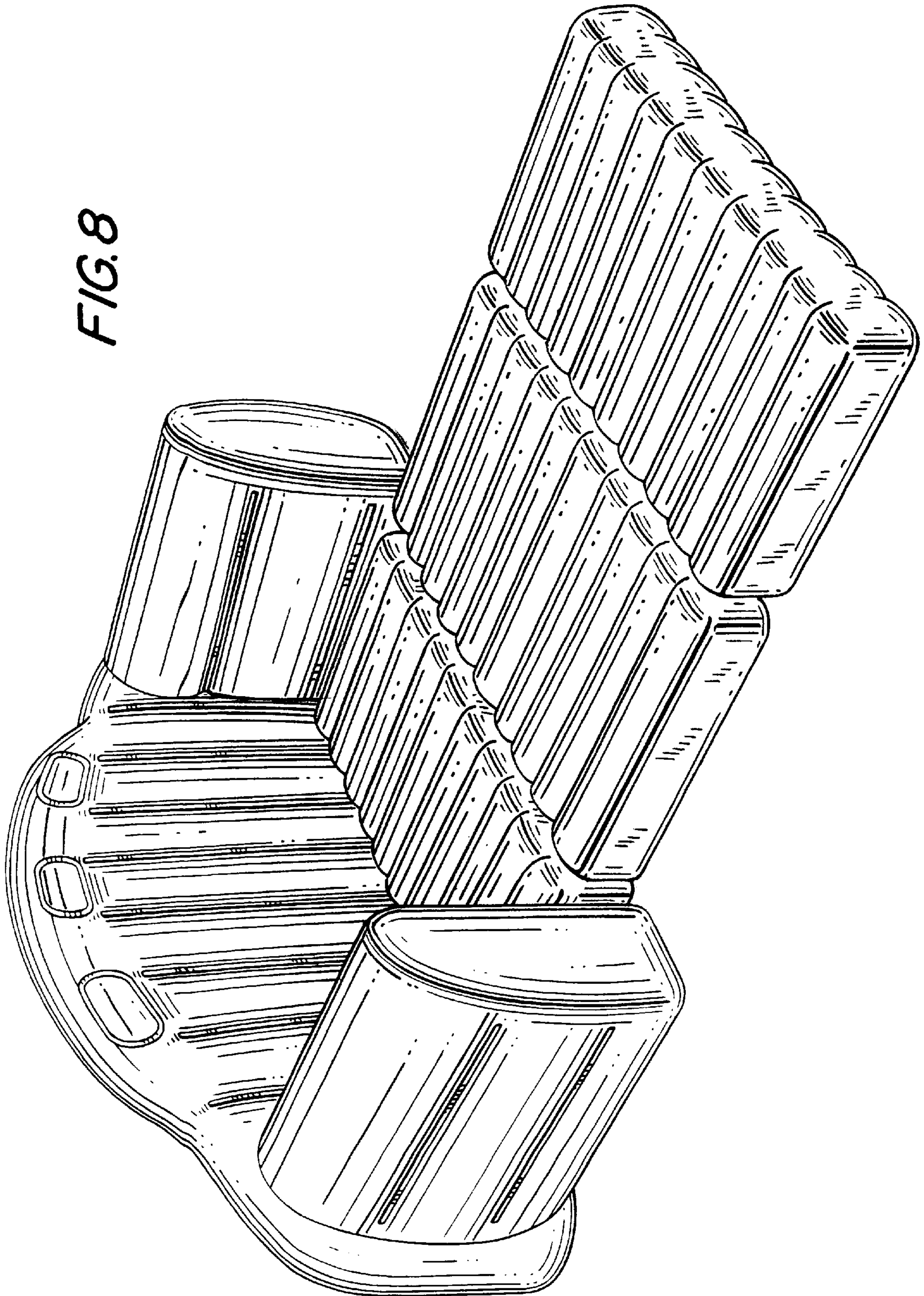


FIG. 8



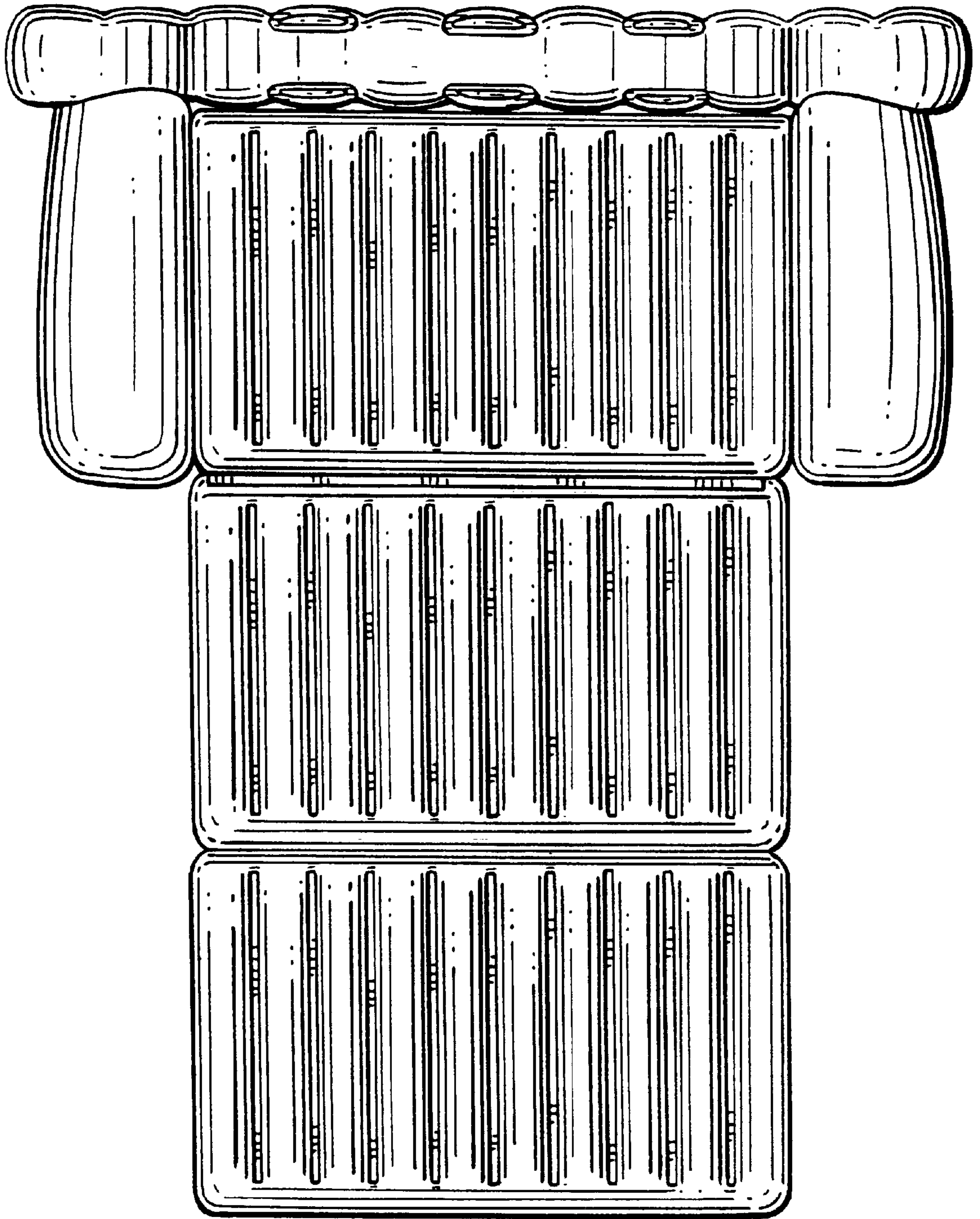


FIG.9

FIG. 10

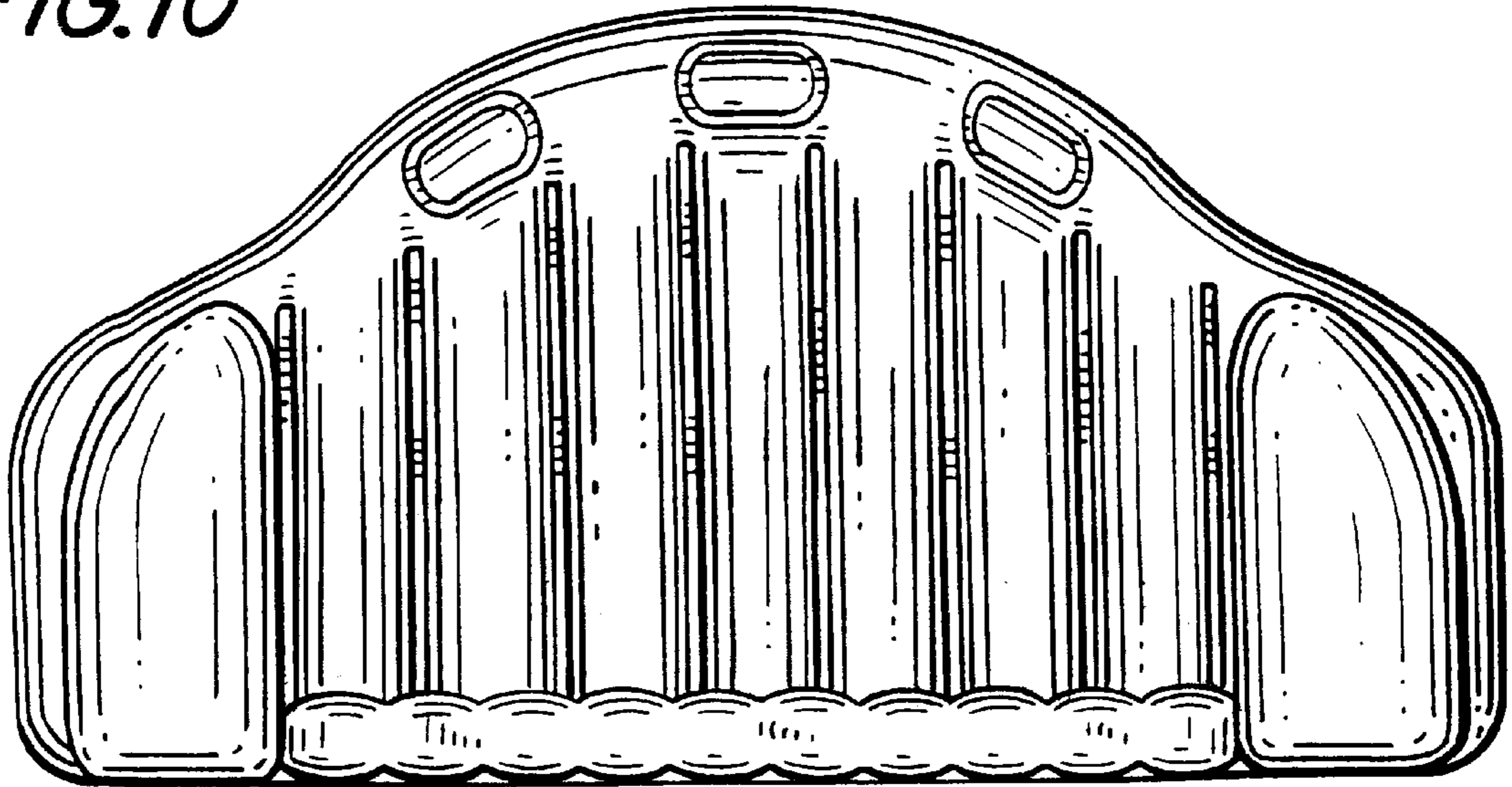
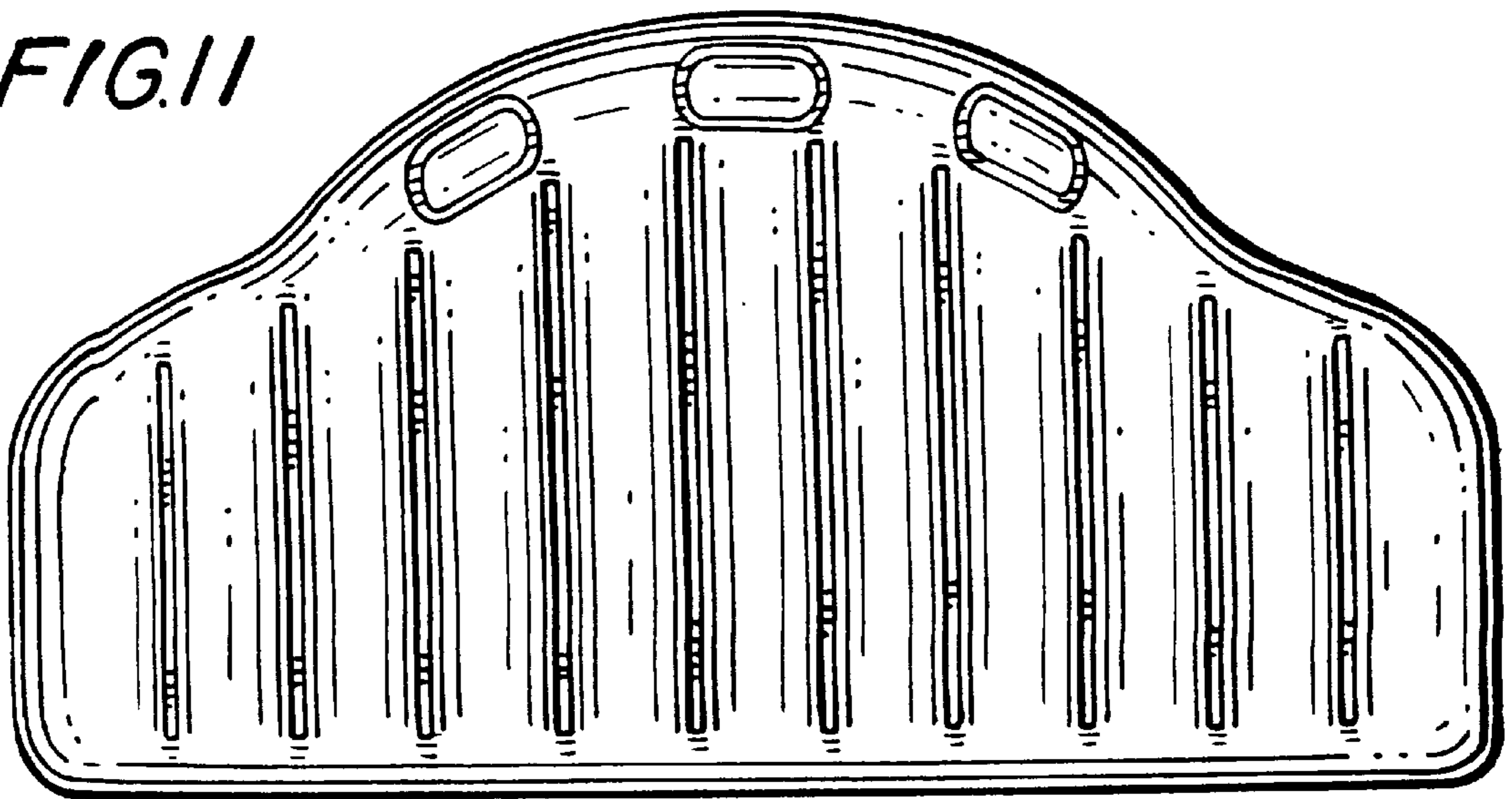


FIG. 11



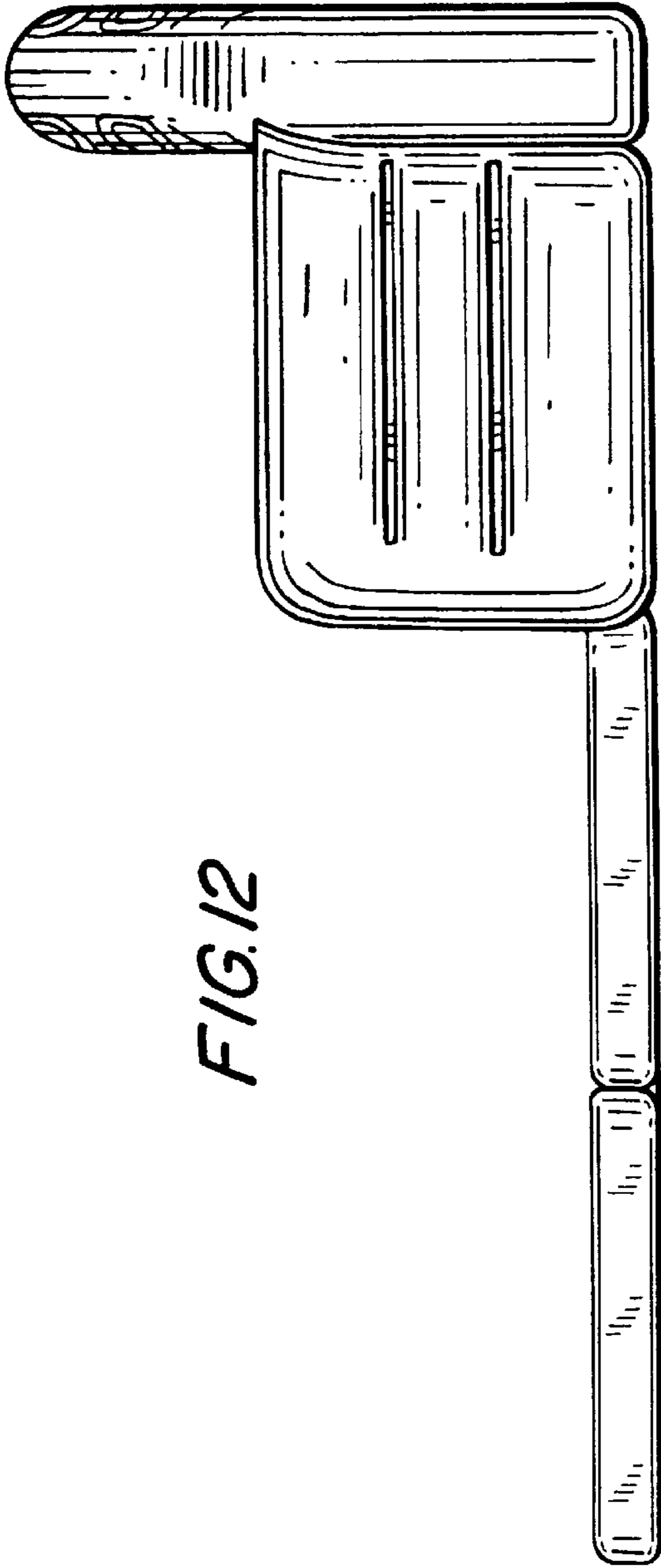


FIG. 12

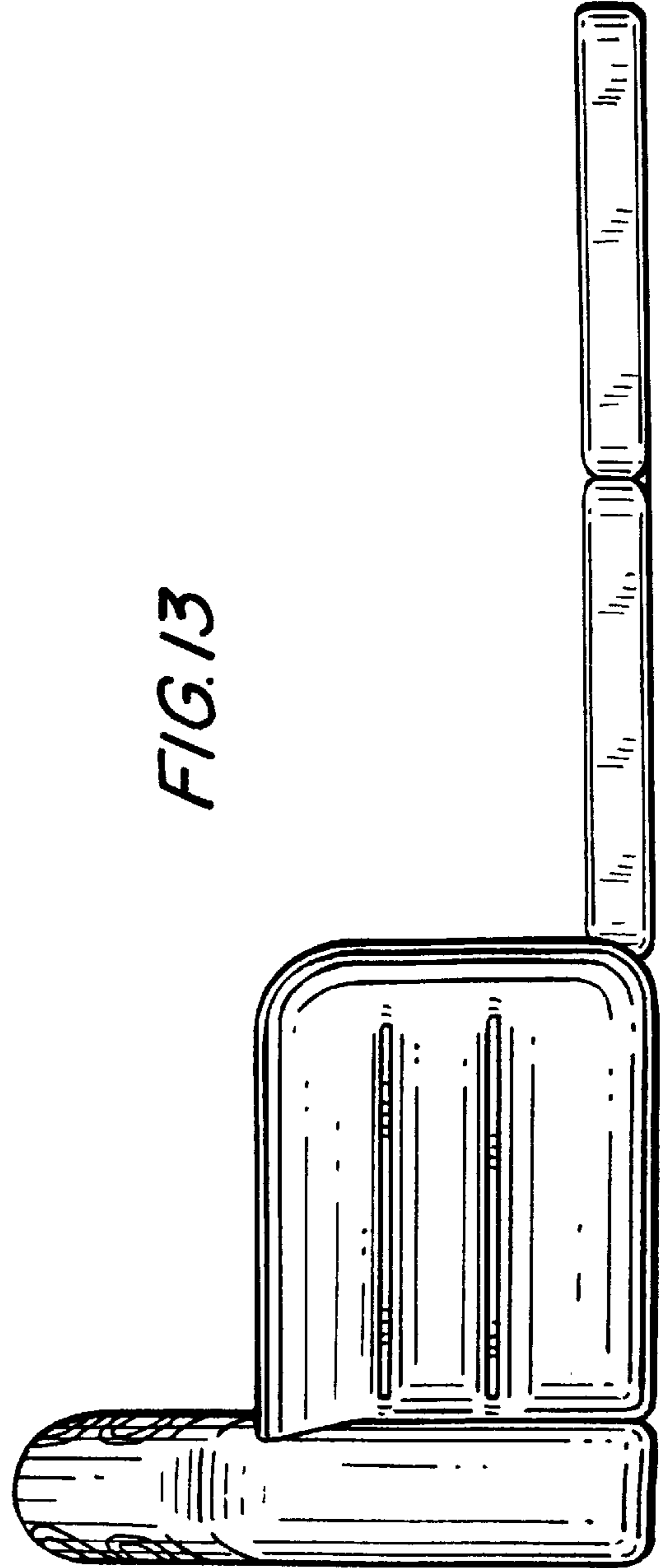


FIG. 13

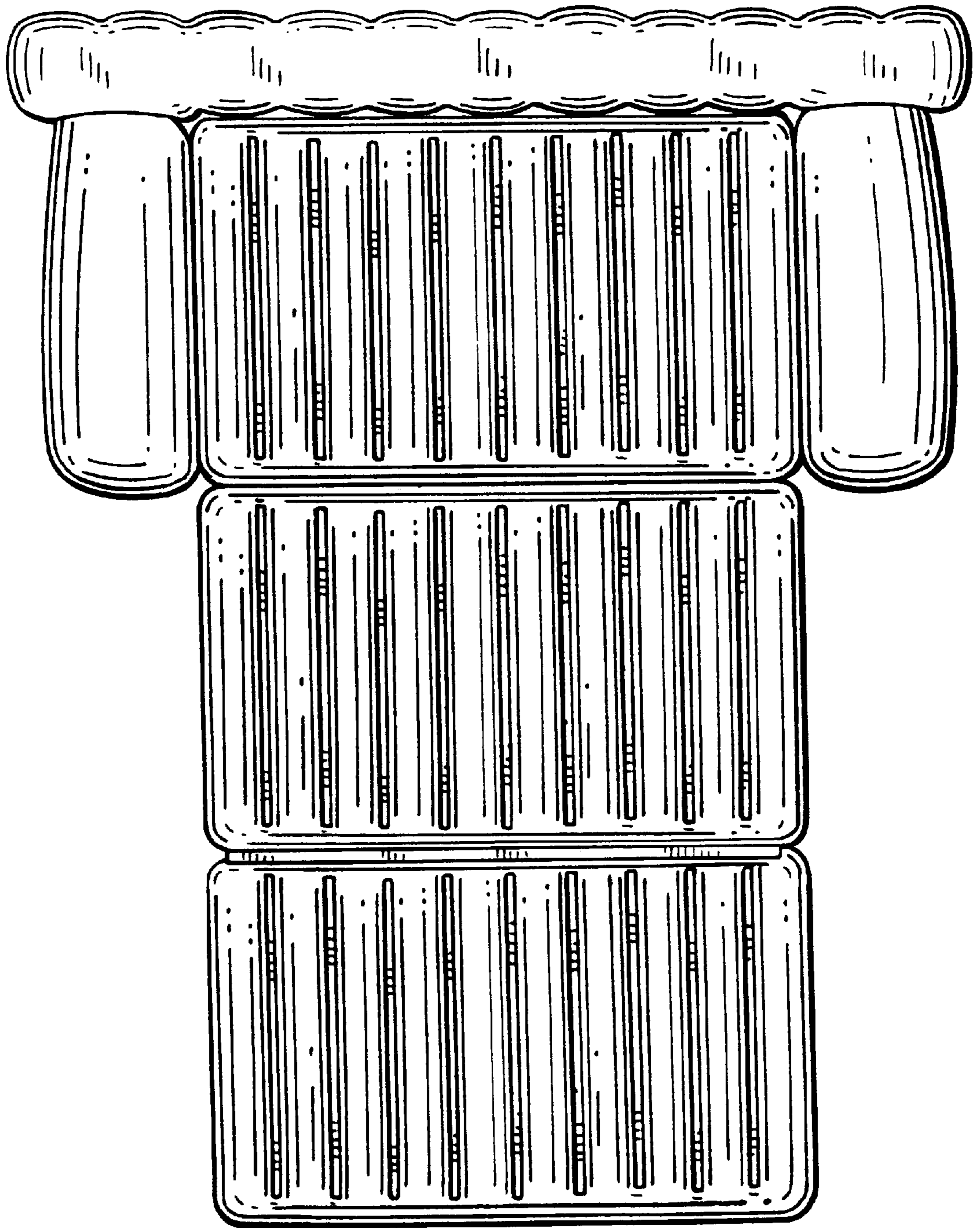


FIG. 14

FIG. 15

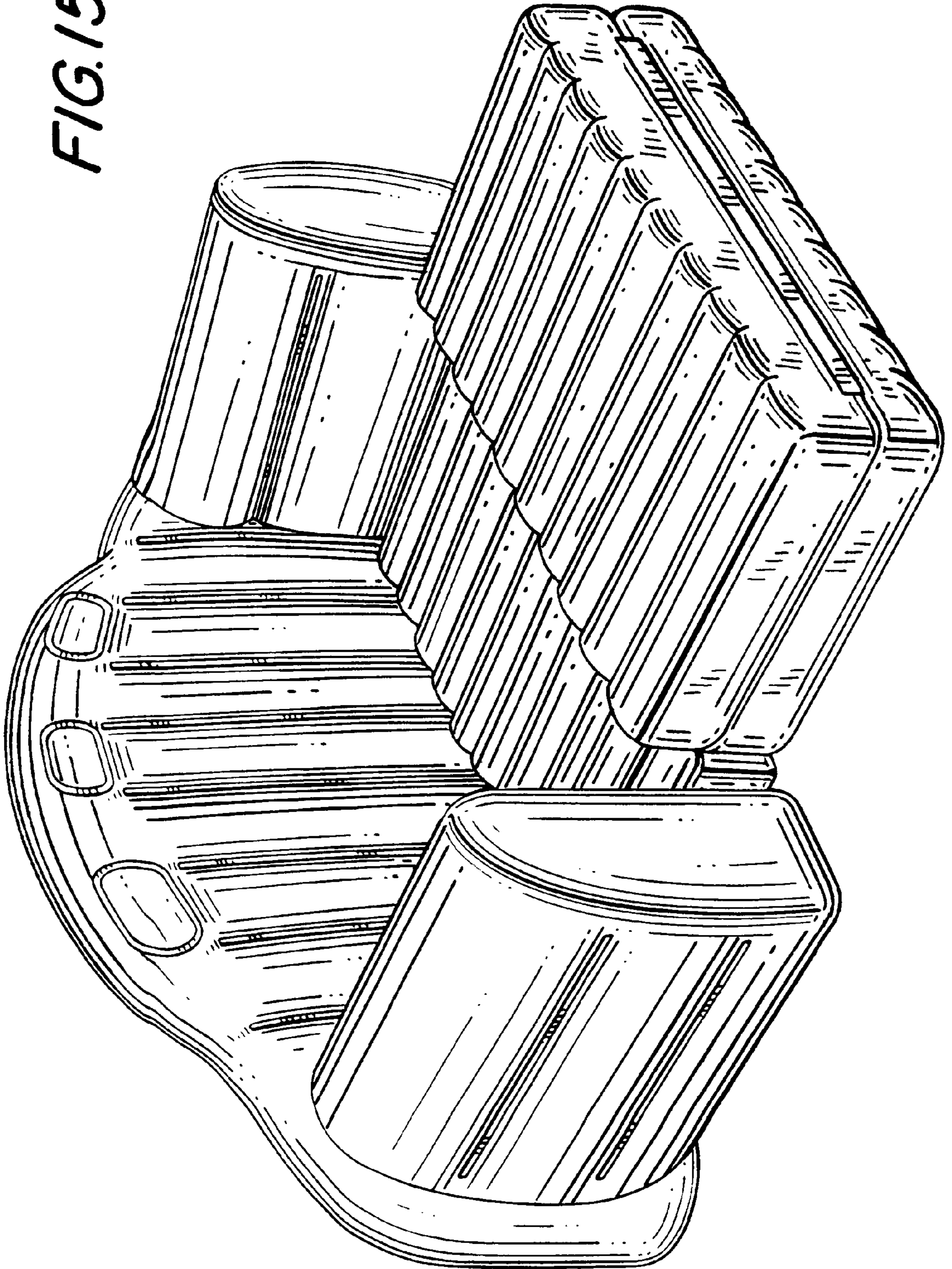
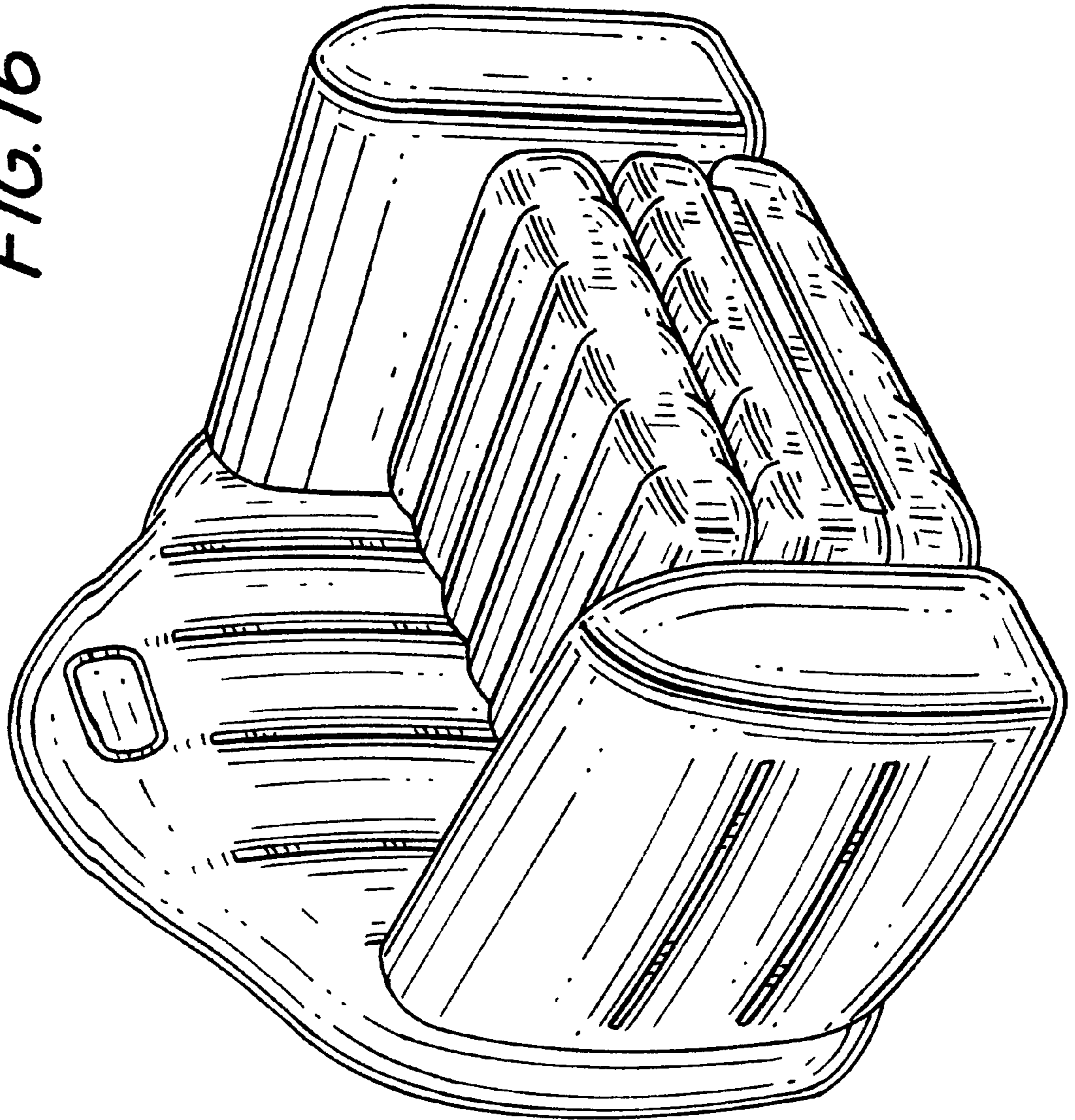


FIG. 16



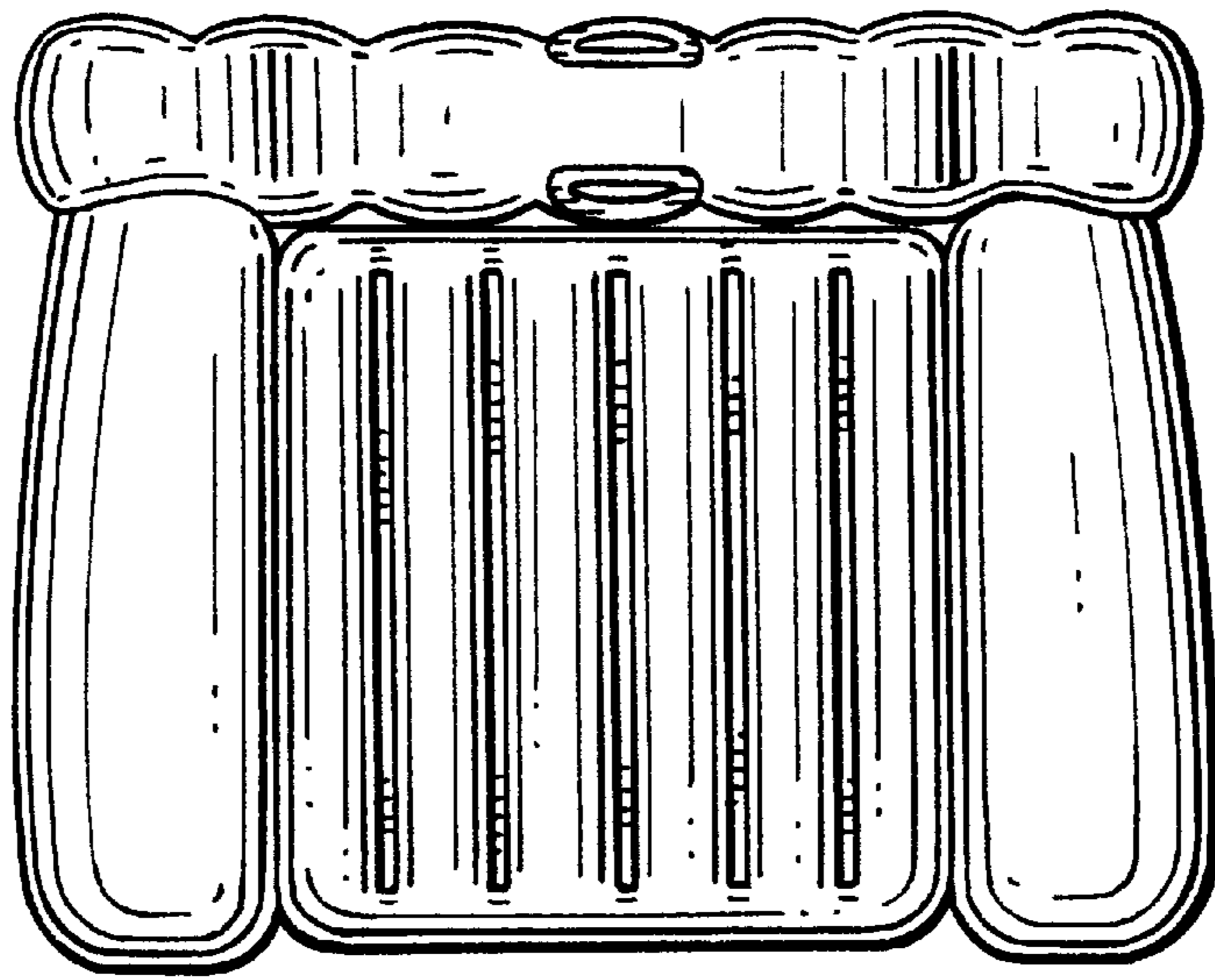


FIG. 17

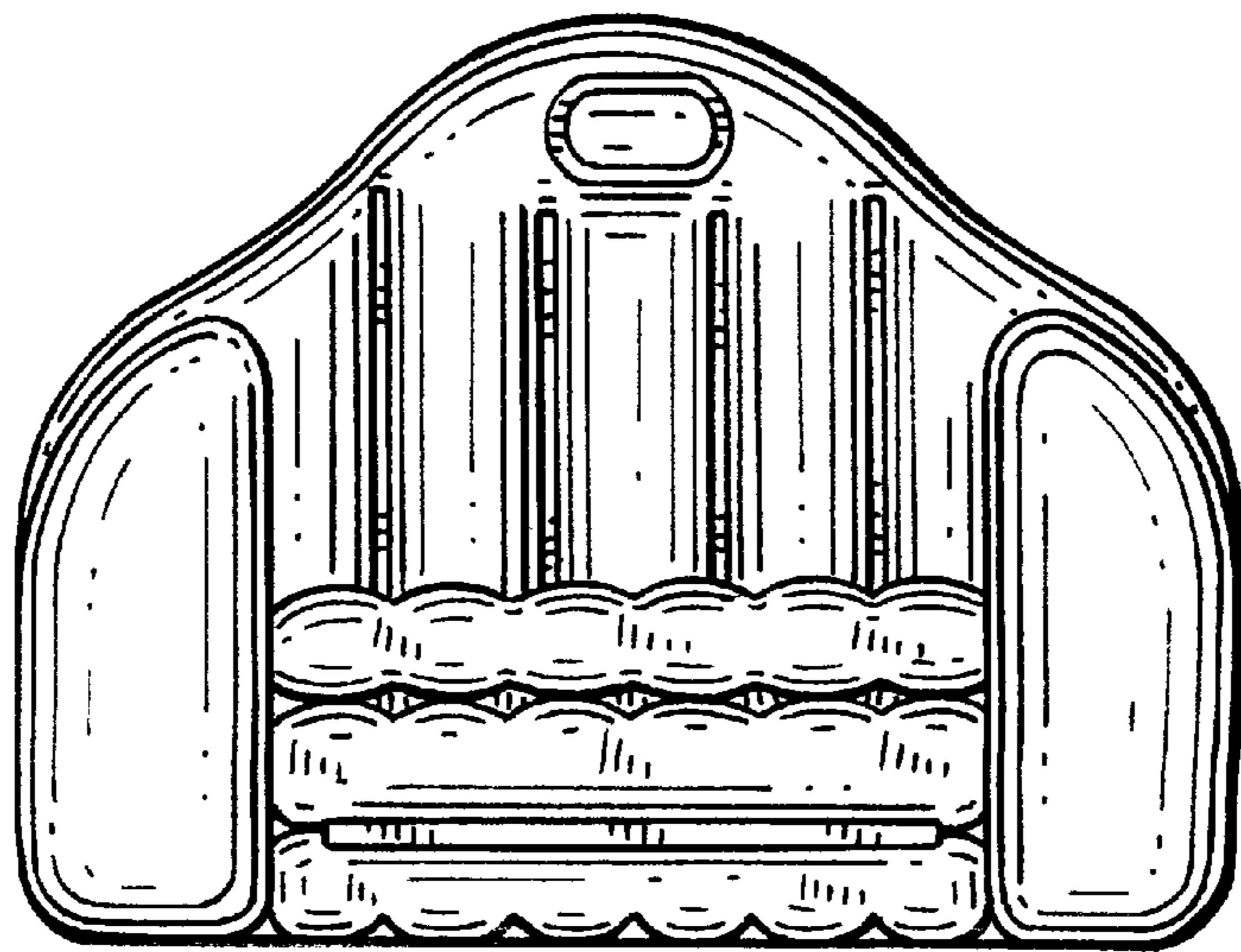


FIG. 18

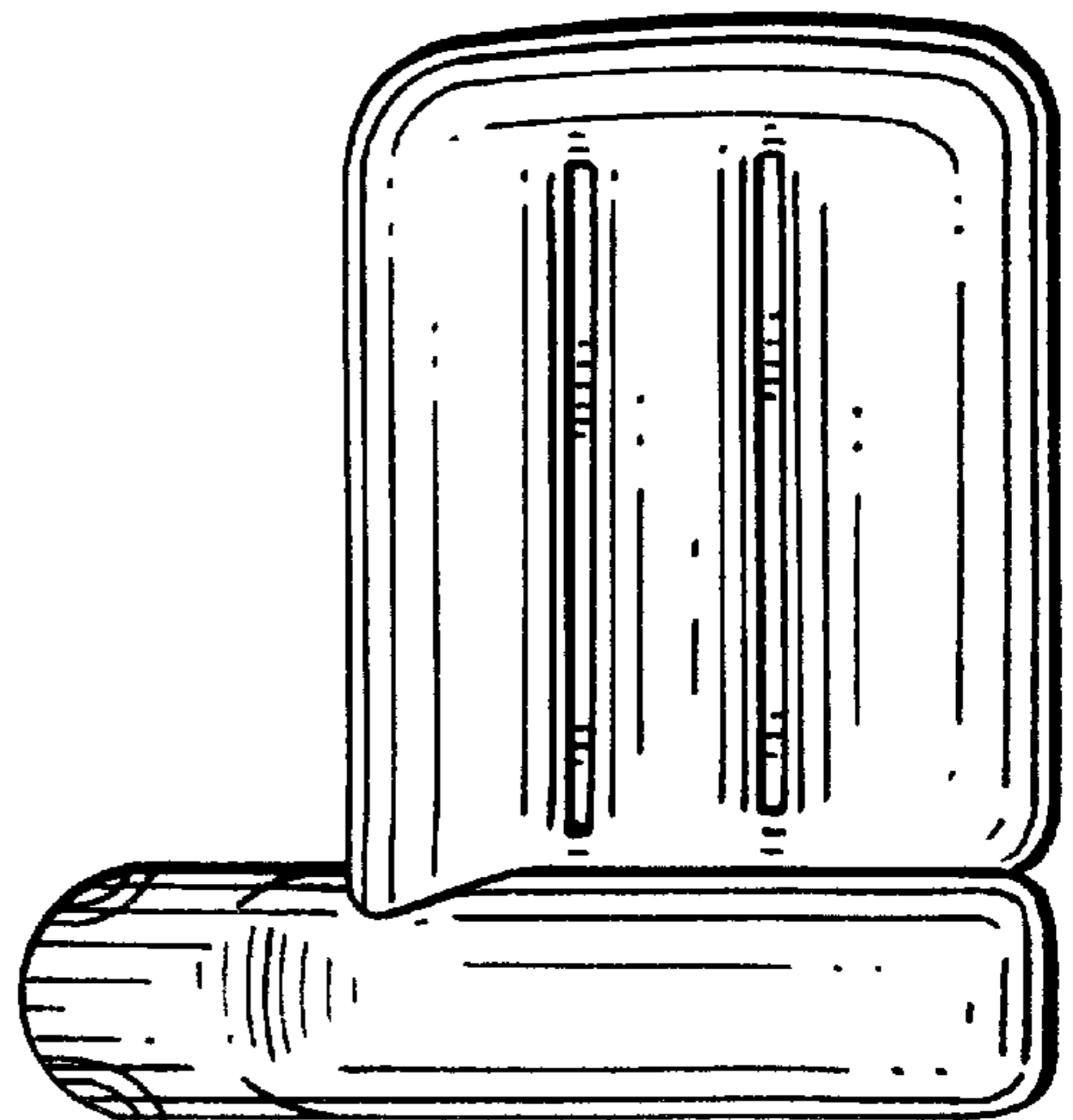
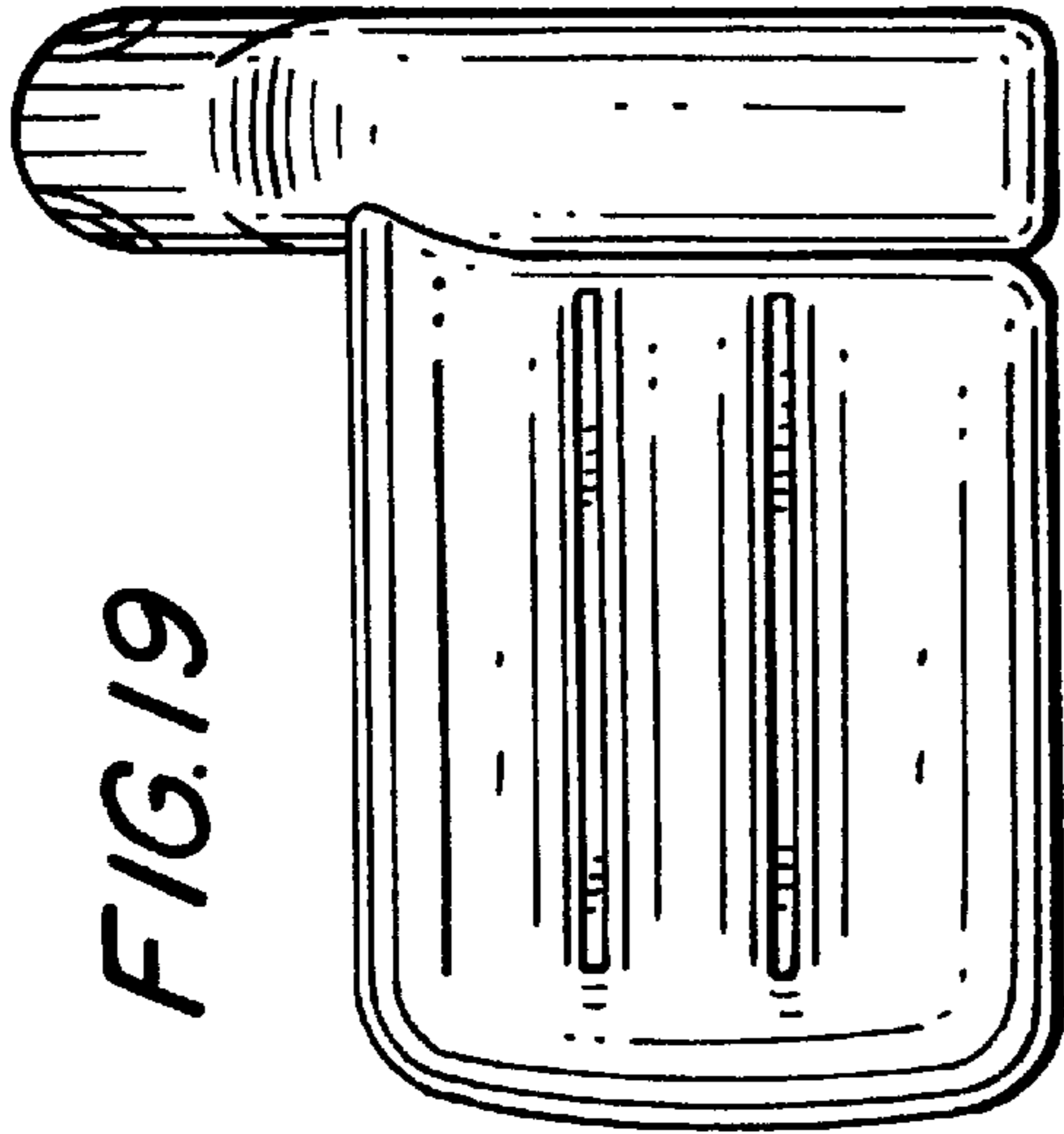


FIG. 21

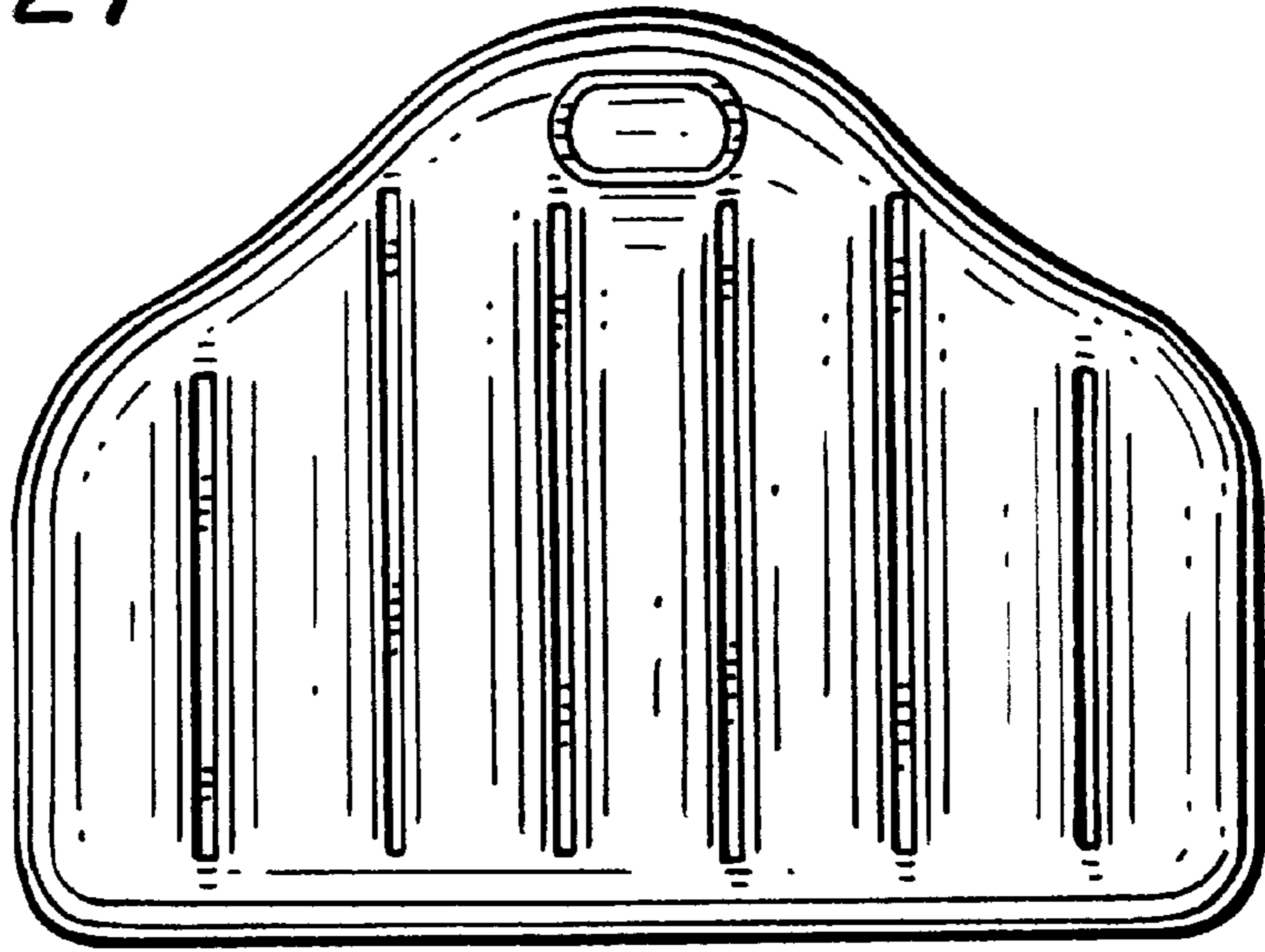


FIG. 22

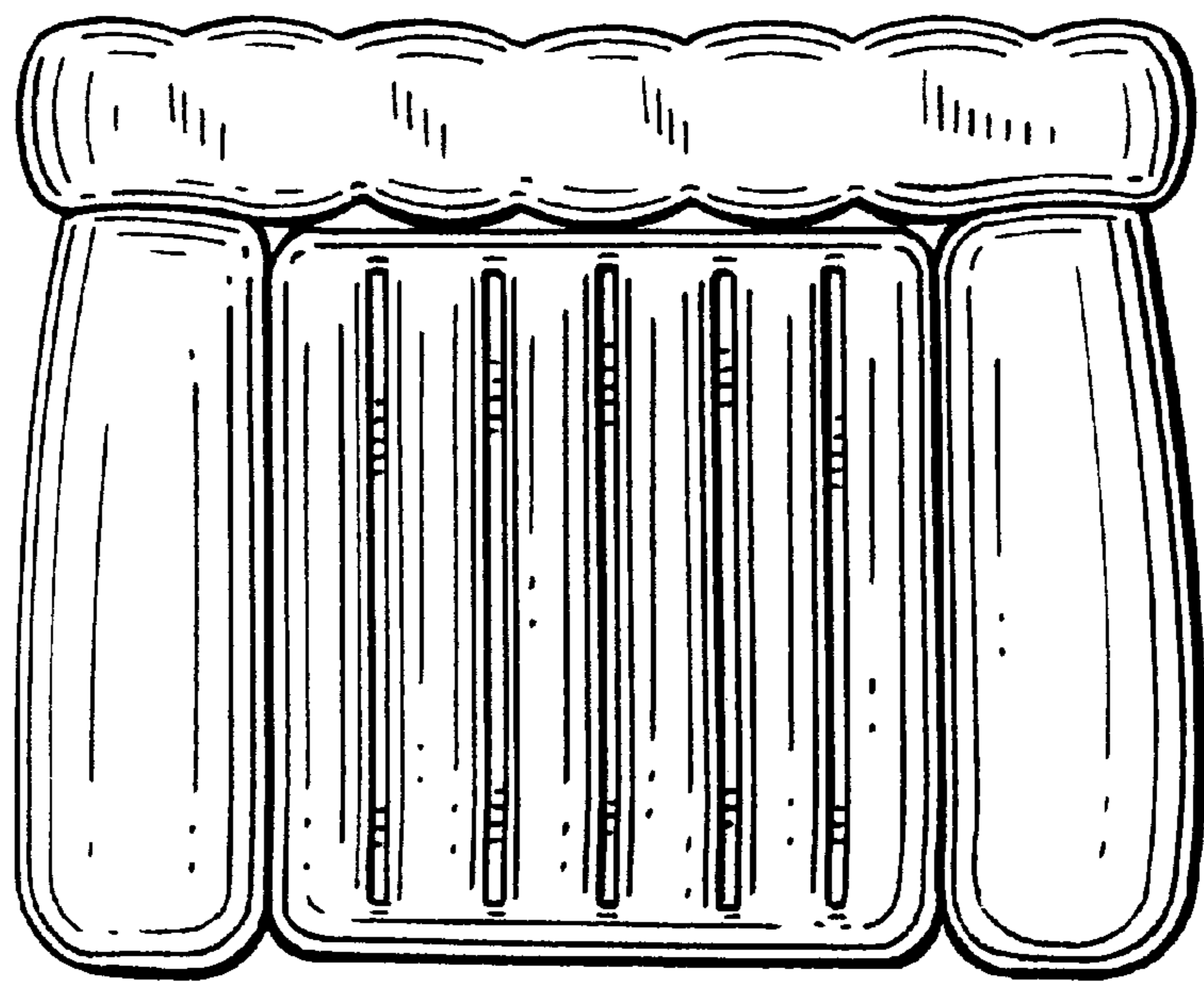
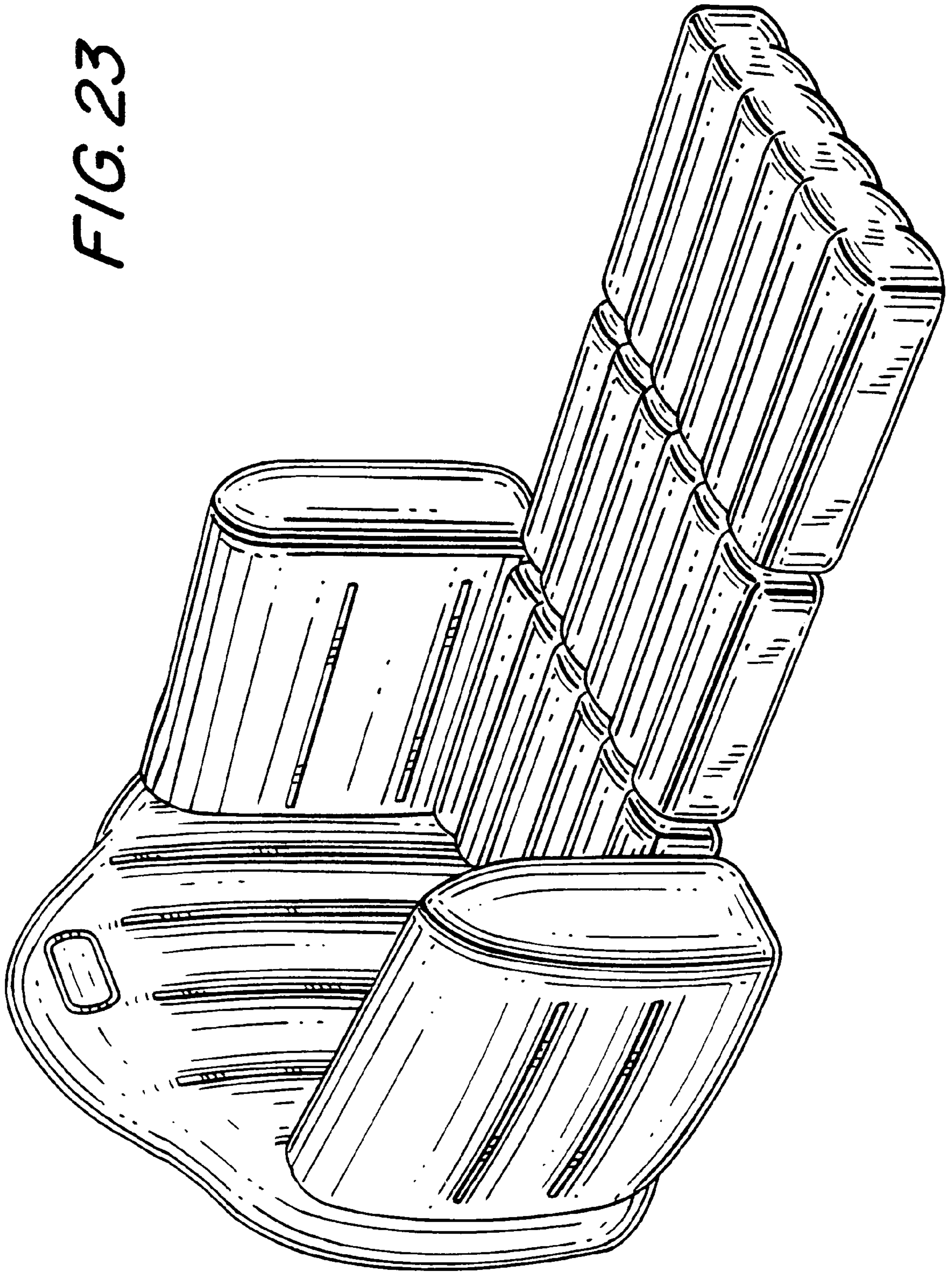


FIG. 23



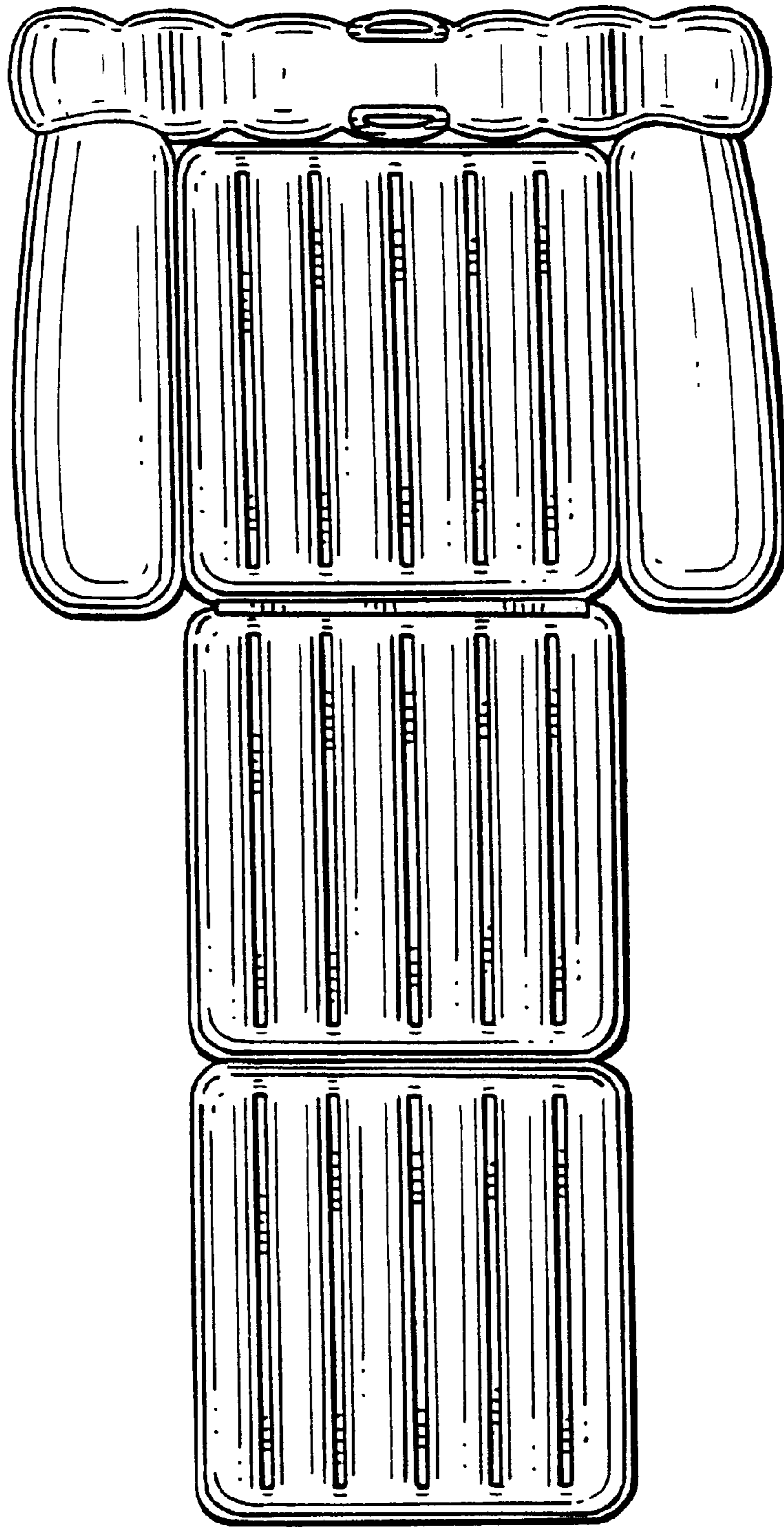


FIG. 24

FIG. 25

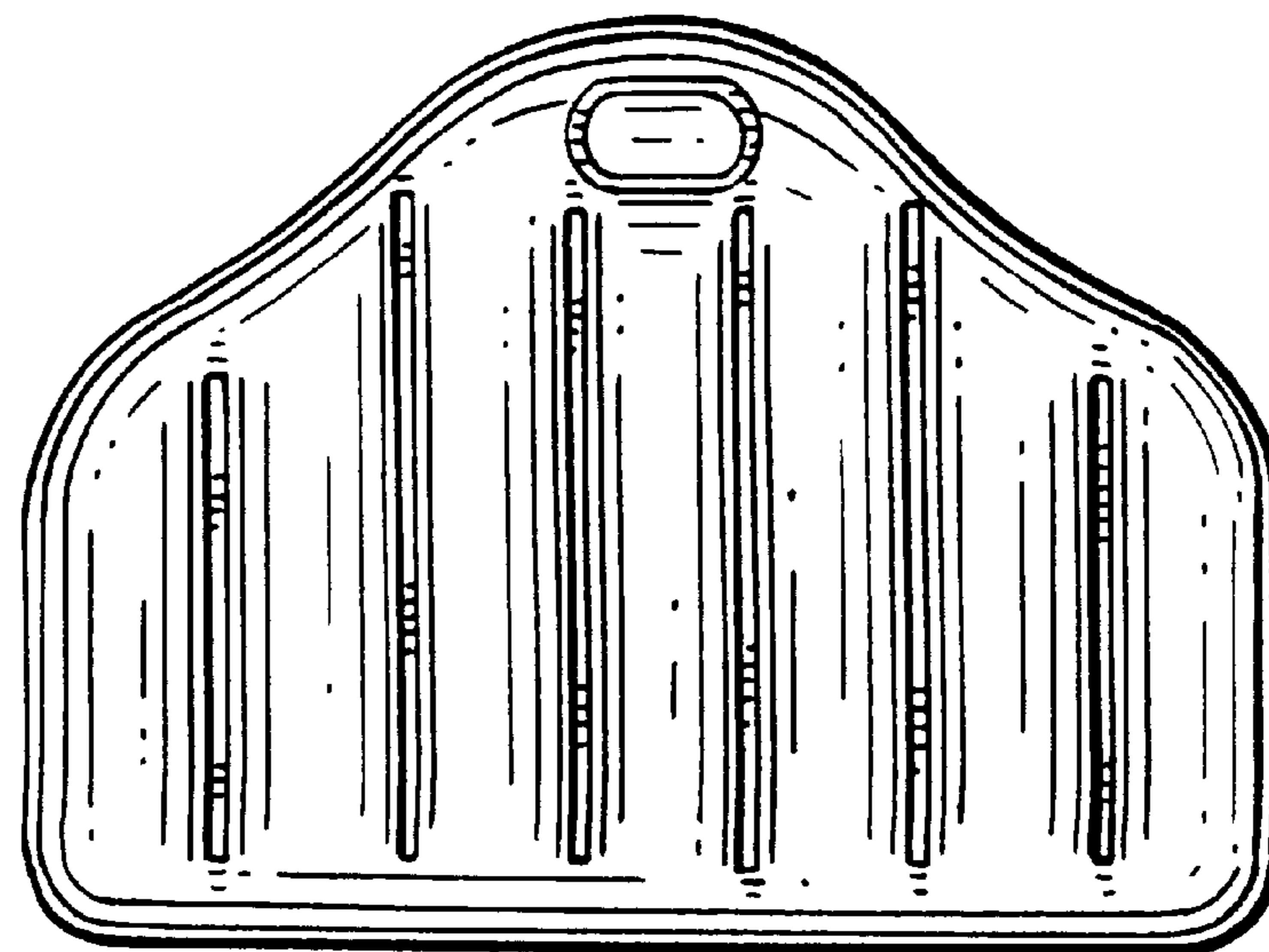
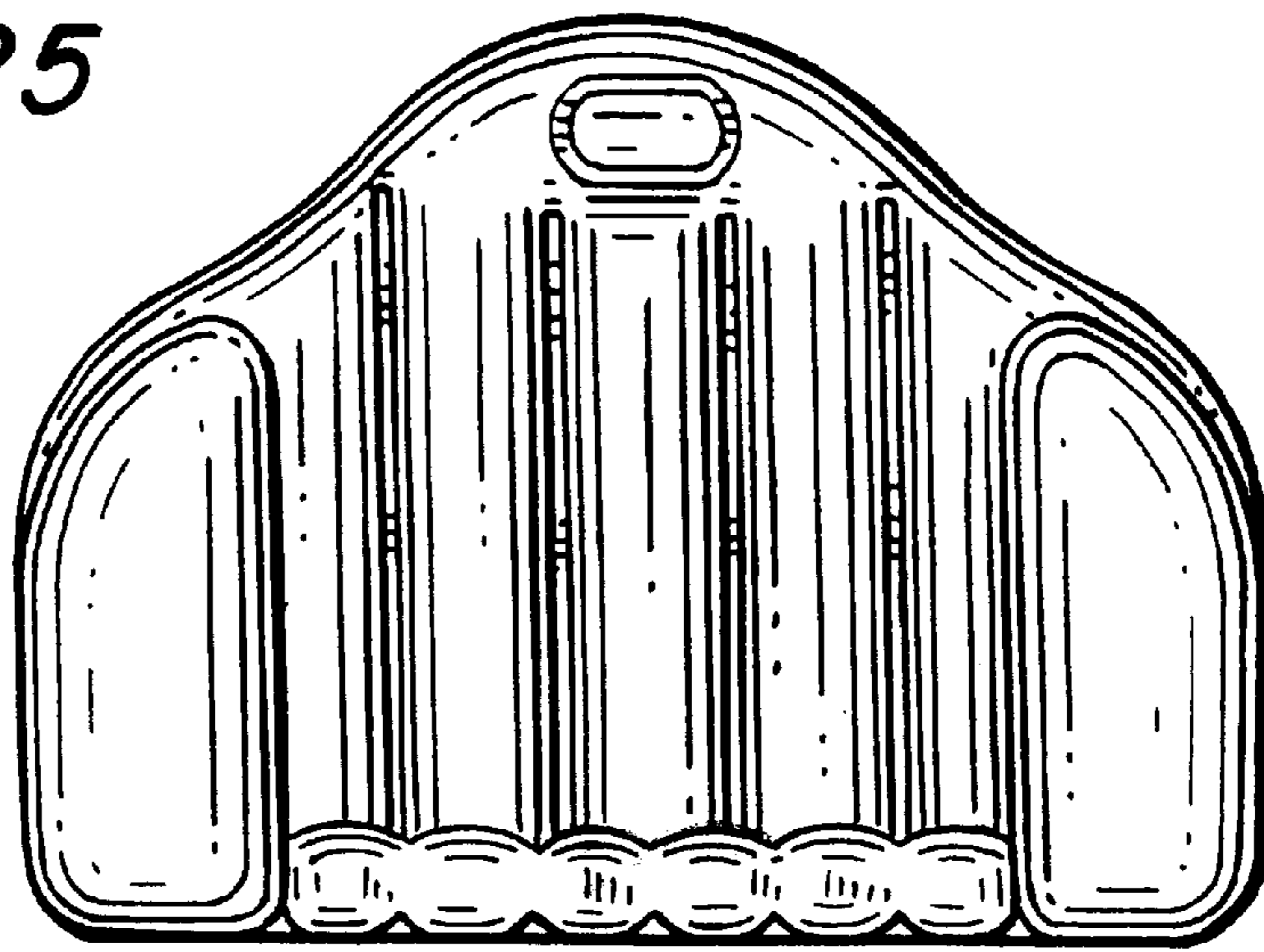


FIG. 26

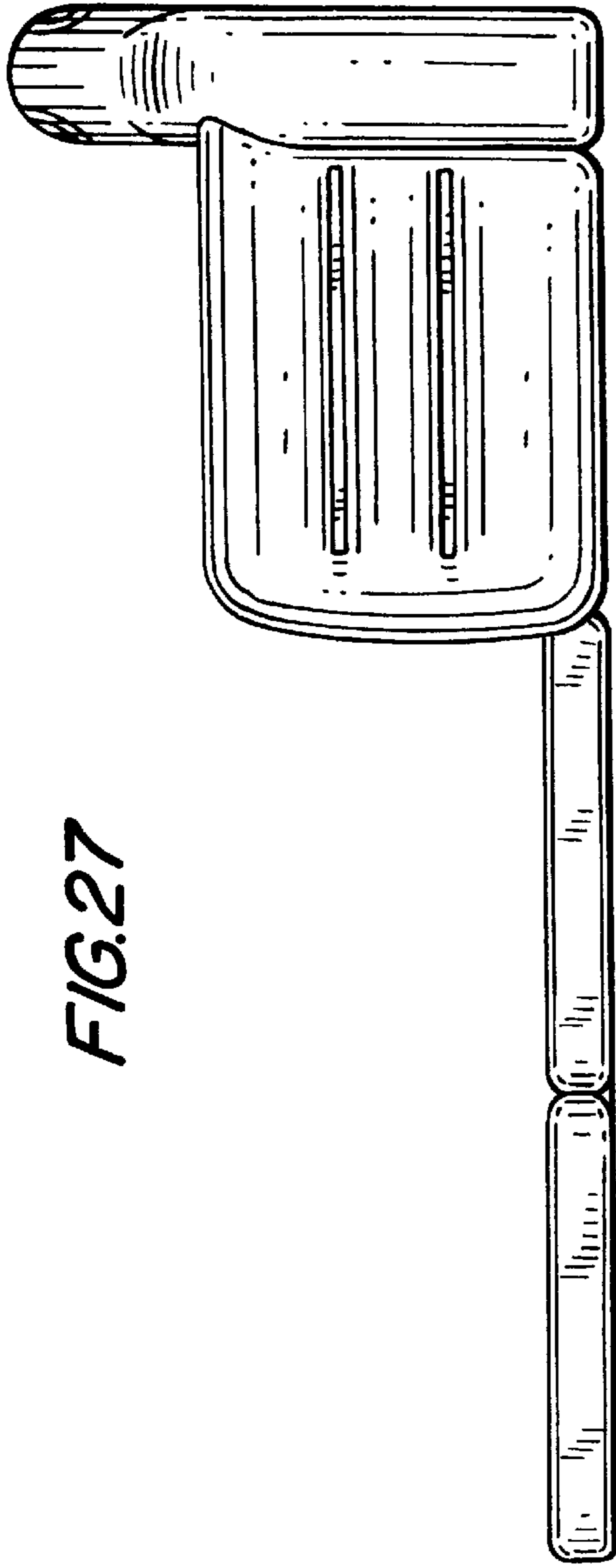


FIG. 27

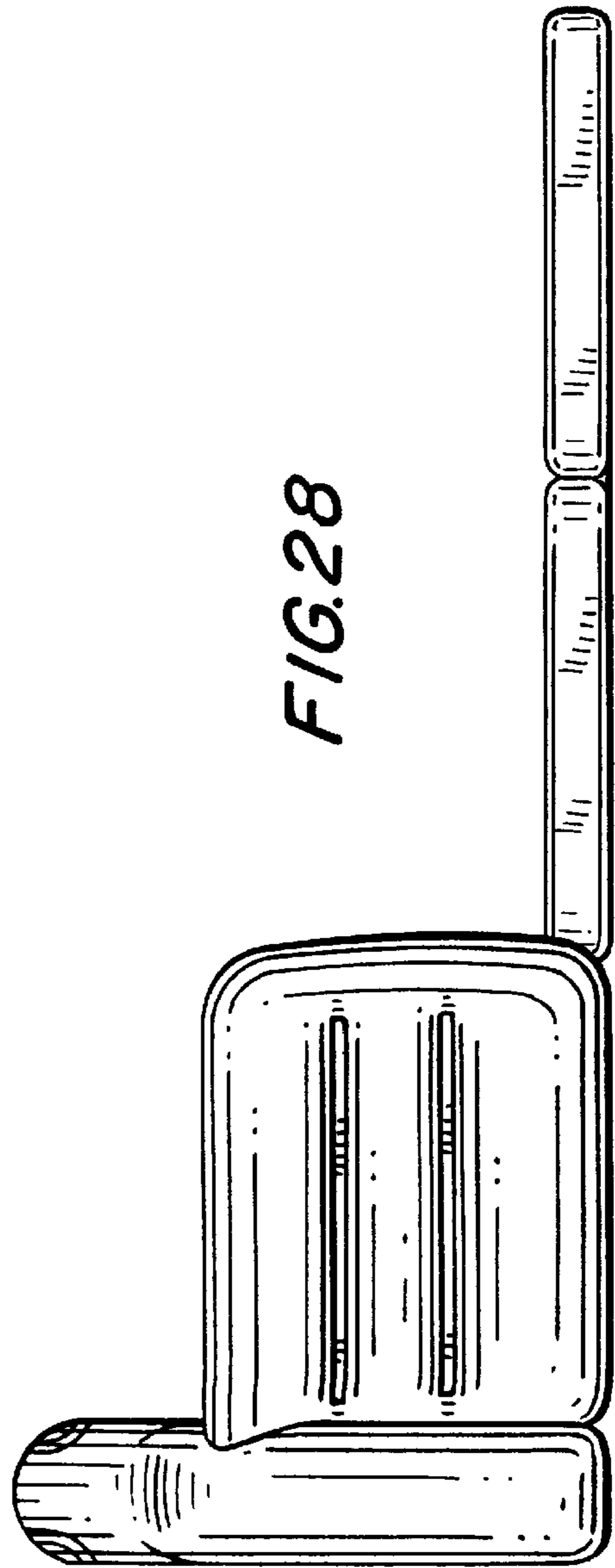


FIG. 28

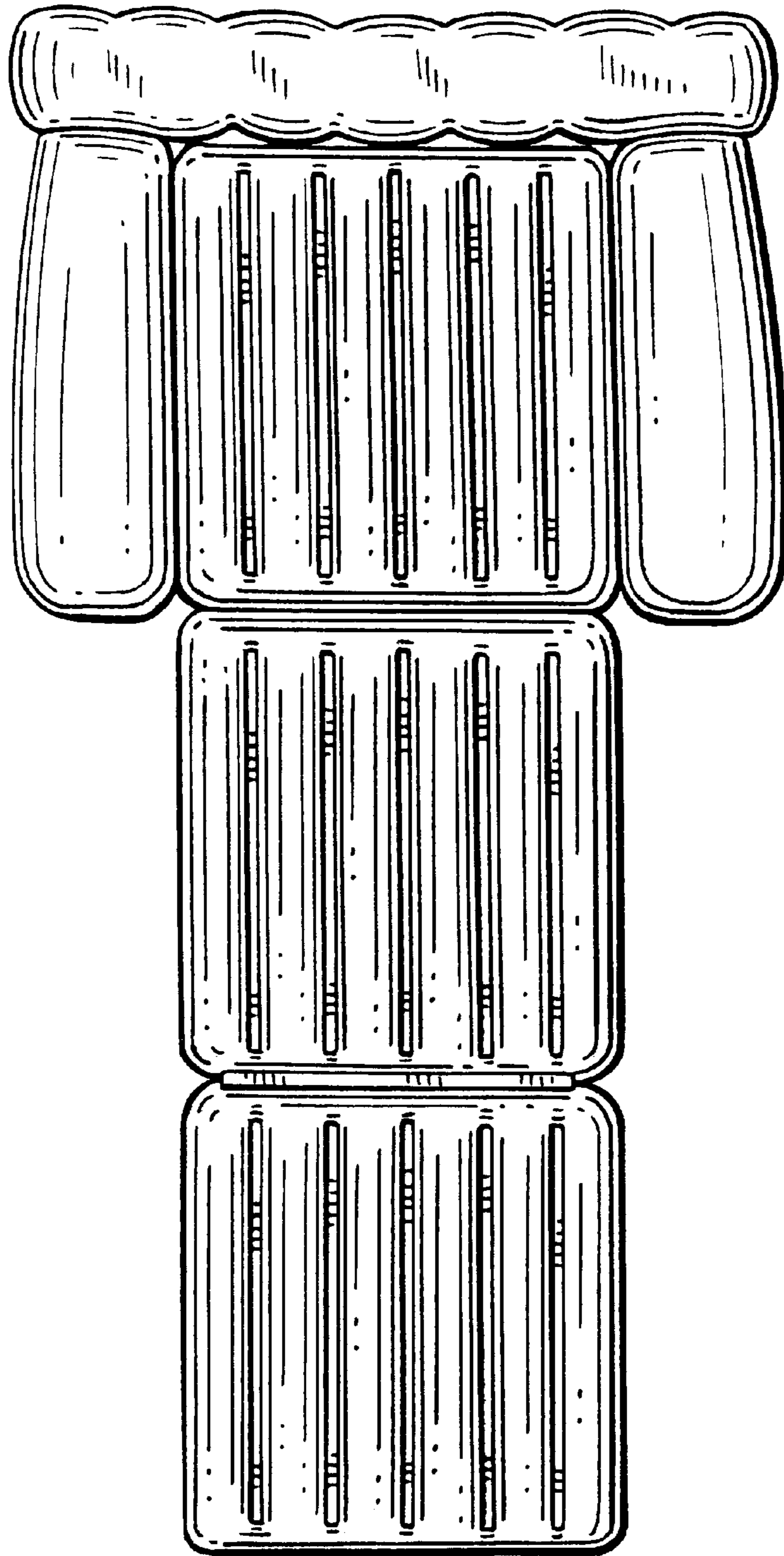


FIG.29

FIG. 30

