



US00D434241S

United States Patent [19] Tseng

[11] **Patent Number: Des. 434,241**

[45] **Date of Patent: ** Nov. 28, 2000**

[54] **CHAIR**

[75] Inventor: **Chuen-Jong Tseng**, Chiayi Hsien, Taiwan

[73] Assignee: **Shin Yeh Enterprise Co., Ltd.**, Taiwan

[**] Term: **14 Years**

[21] Appl. No.: **29/120,907**

[22] Filed: **Mar. 28, 2000**

[51] **LOC (7) Cl.** **06-01**

[52] **U.S. Cl.** **D6/376; D6/370; D6/374; D6/379**

[58] **Field of Search** **D6/334, 369, 370, D6/374, 376, 379, 380, 500, 501, 502; 297/446.1**

[56] **References Cited**

U.S. PATENT DOCUMENTS

D. 50,066	12/1916	Kennedy	D6/369
D. 213,191	1/1969	Koch	D6/374
D. 322,899	1/1992	Hess	D6/376
D. 335,971	6/1993	Hess	D6/379
D. 394,759	6/1998	Diramarian	D6/379
D. 410,802	6/1999	Olson	D6/379
D. 419,792	2/2000	Tseng	D6/376
D. 425,717	5/2000	Tseng	D6/369

OTHER PUBLICATIONS

Thinline, p. 38, Chair #2075-38 at bottom (as marked).

Primary Examiner—Gary D. Watson
Attorney, Agent, or Firm—Ladas & Parry

[57] **CLAIM**

The ornamental design for chair, as shown and described.

DESCRIPTION

FIG. 1 is a perspective view of chair showing our new design;

FIG. 2 is a front elevational view thereof;

FIG. 3 is a rear elevational view thereof;

FIG. 4 is a left side elevational view thereof;

FIG. 5 is a right side elevational view thereof;

FIG. 6 is a top plan view thereof; and

FIG. 7 is a bottom plan view thereof.

FIG. 8 is a perspective view of a second embodiment of that shown in FIG. 1;

FIG. 9 is a front elevational view thereof;

FIG. 10 is a rear elevational view thereof;

FIG. 11 is a left side elevational view thereof;

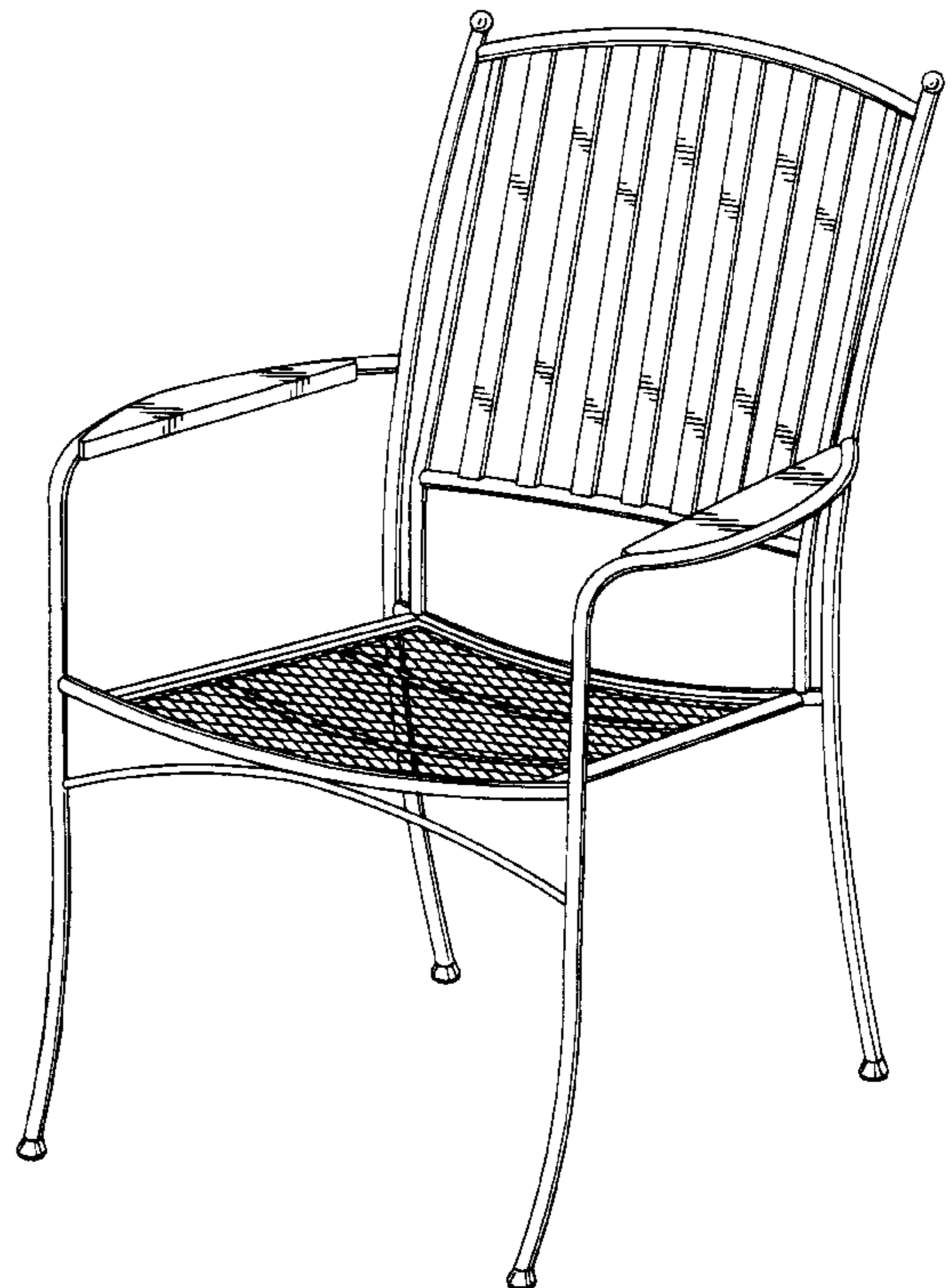
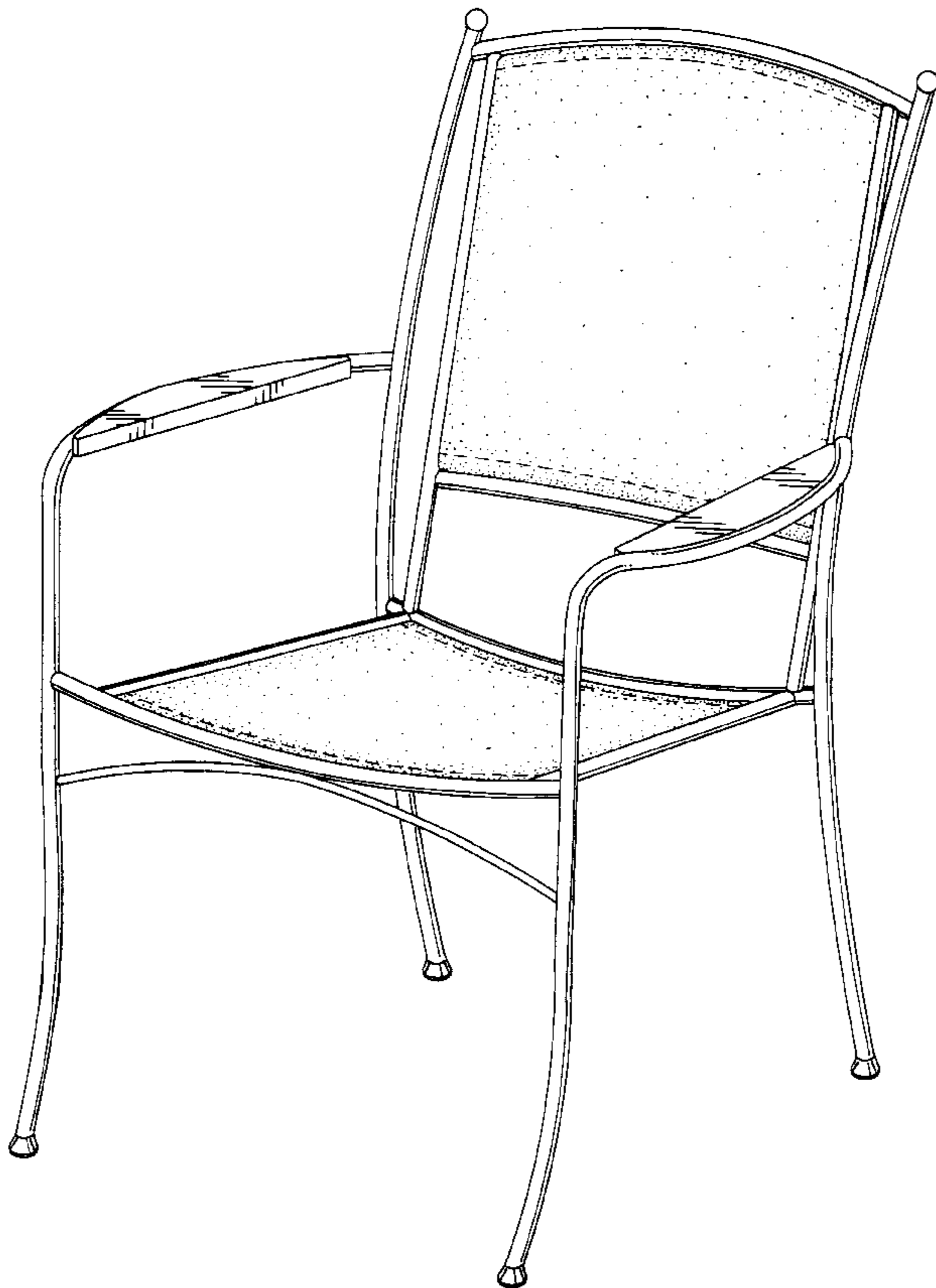
FIG. 12 is a right side elevational view thereof;

FIG. 13 is a top plan view thereof; and,

FIG. 14 is a bottom plan view thereof.

The broken lines shown on the seat and backrest in the first embodiment are understood to represent stitching.

1 Claim, 8 Drawing Sheets



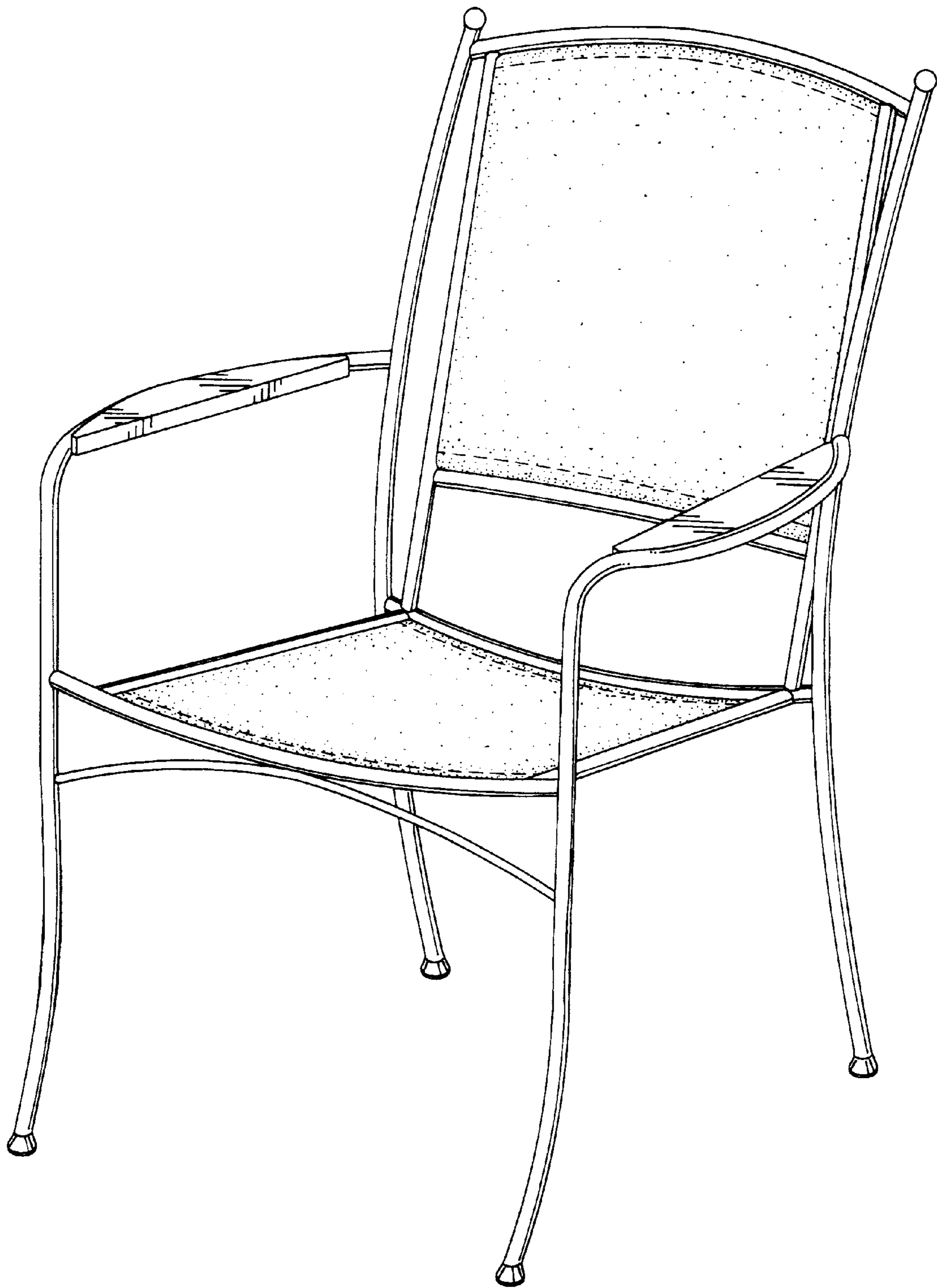


FIG. 1

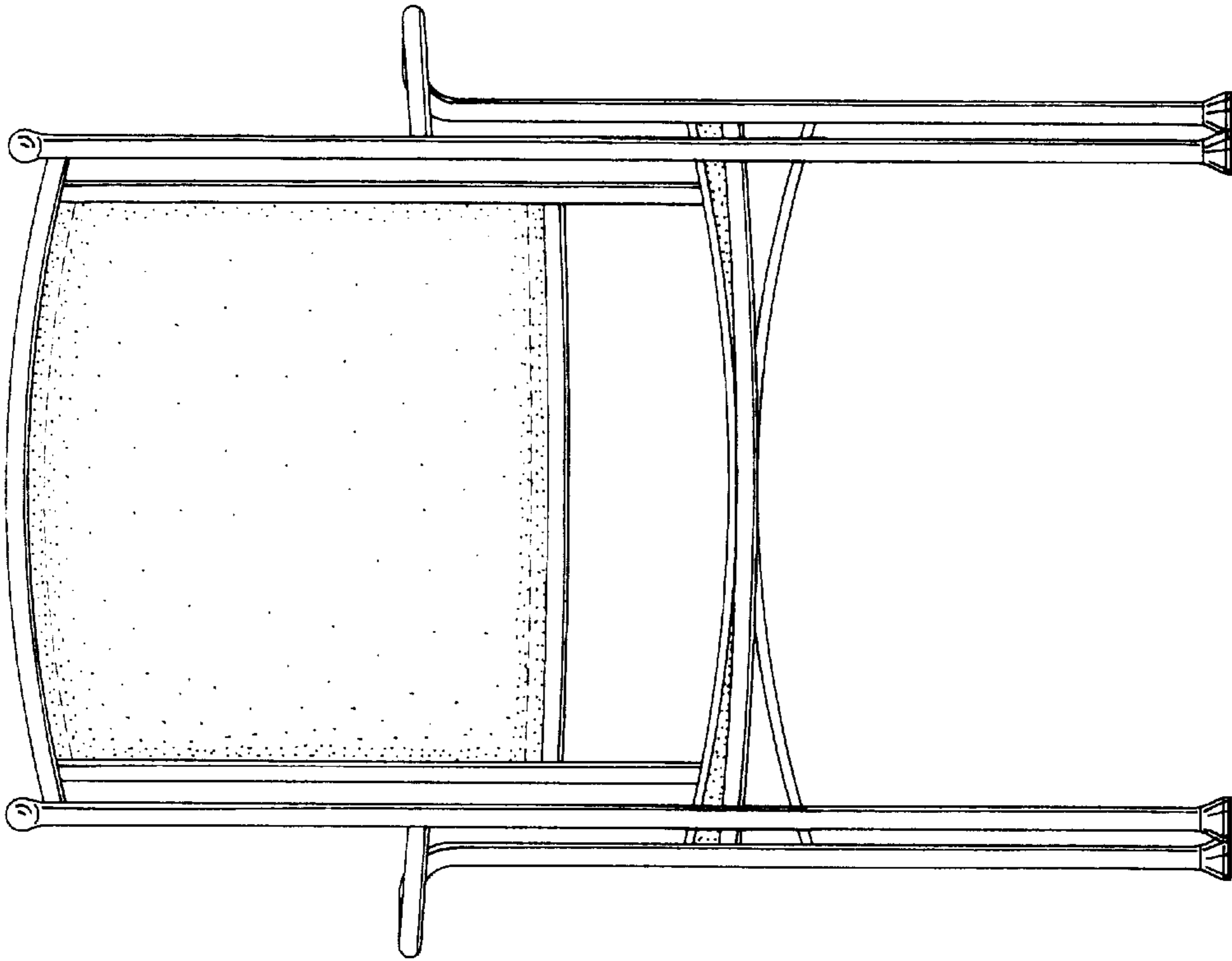


FIG. 3

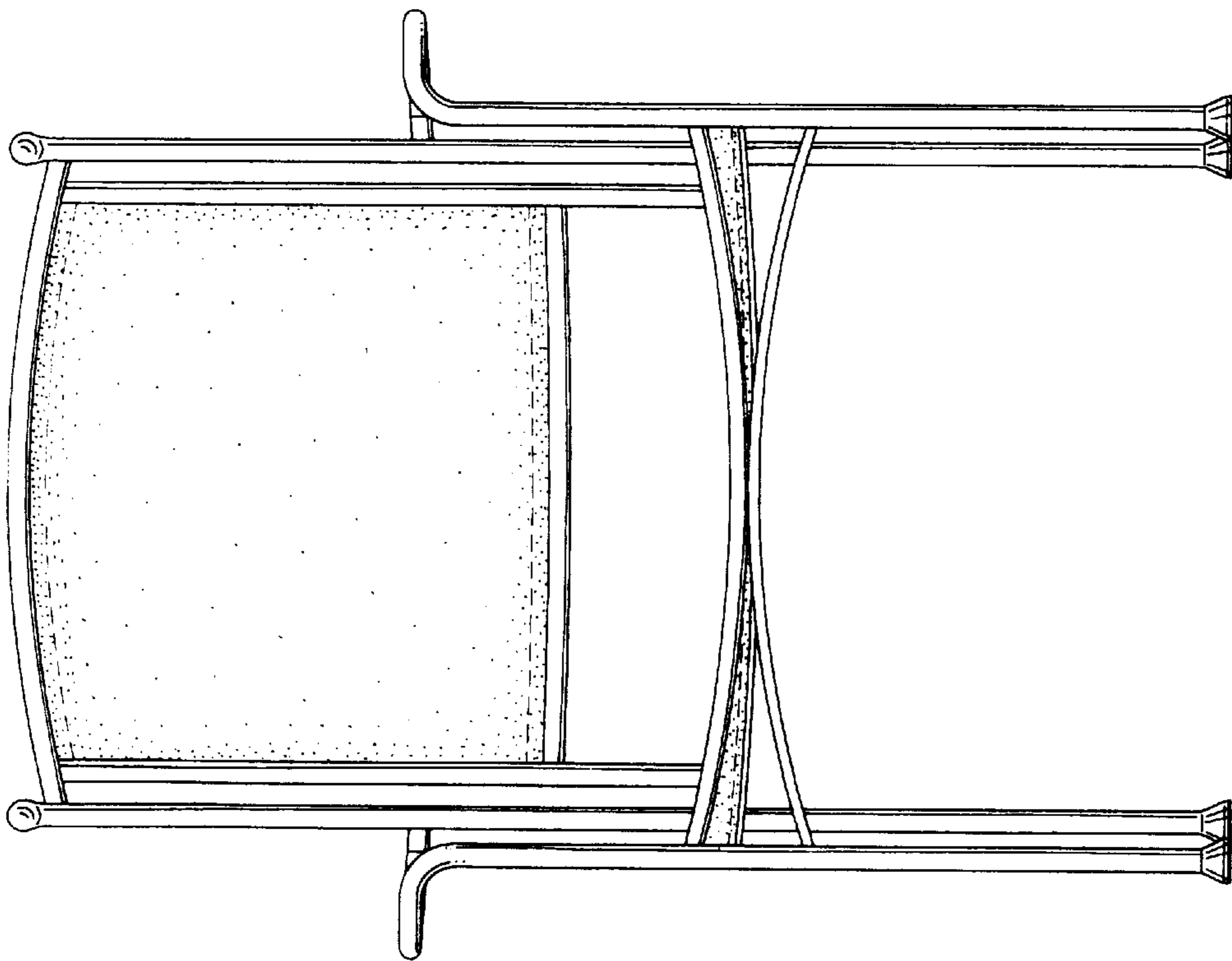


FIG. 2

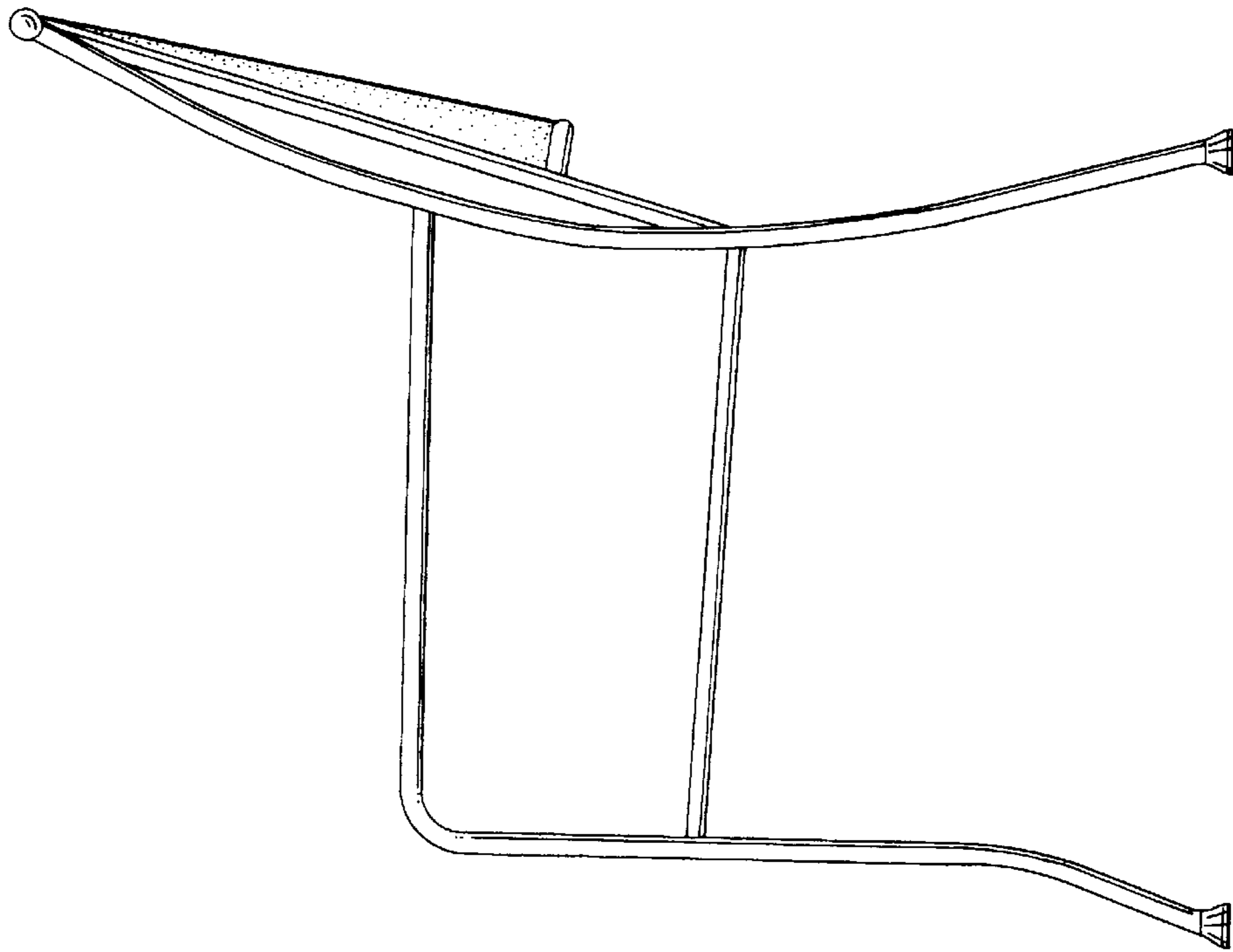


FIG. 5

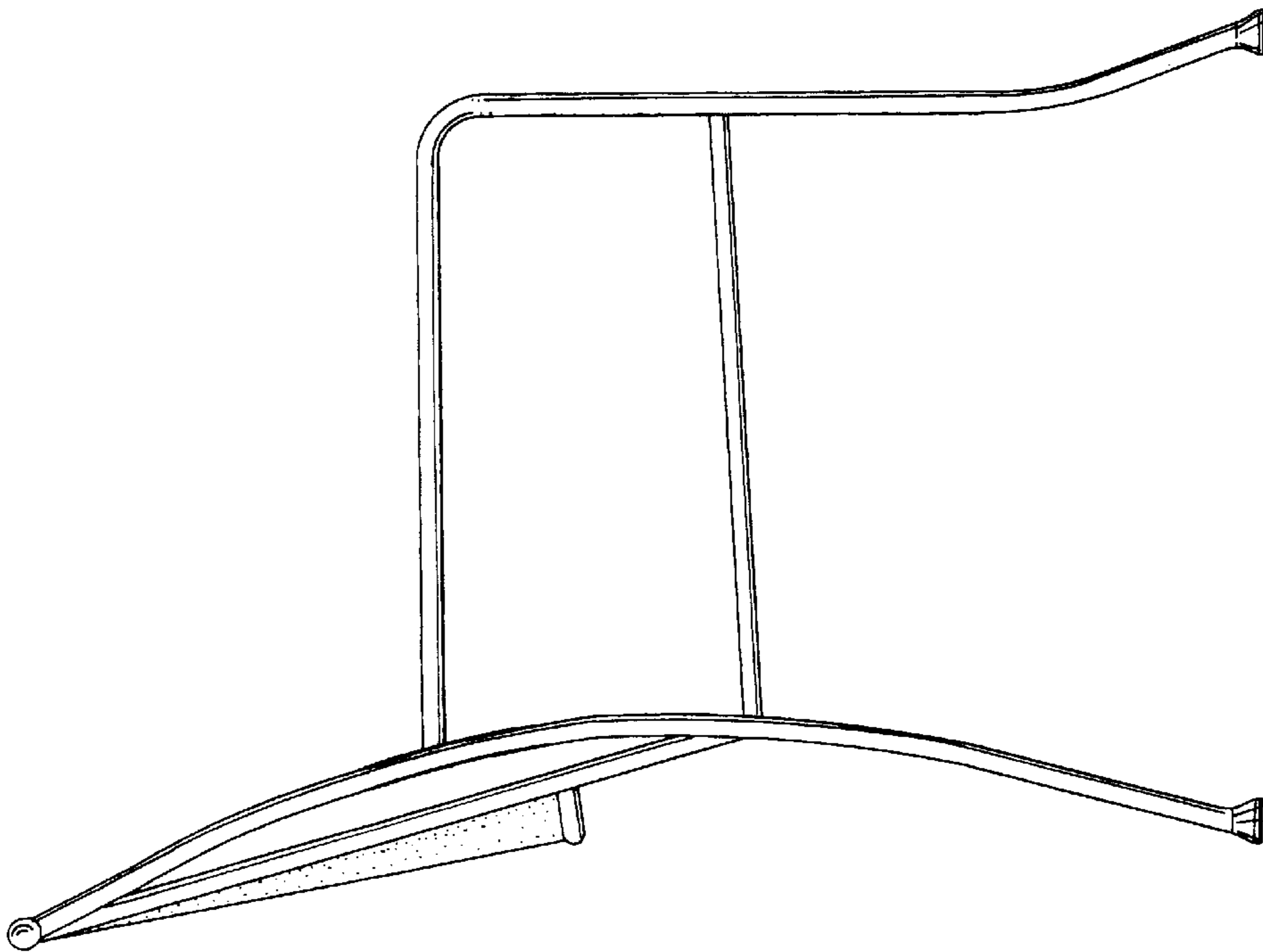


FIG. 4

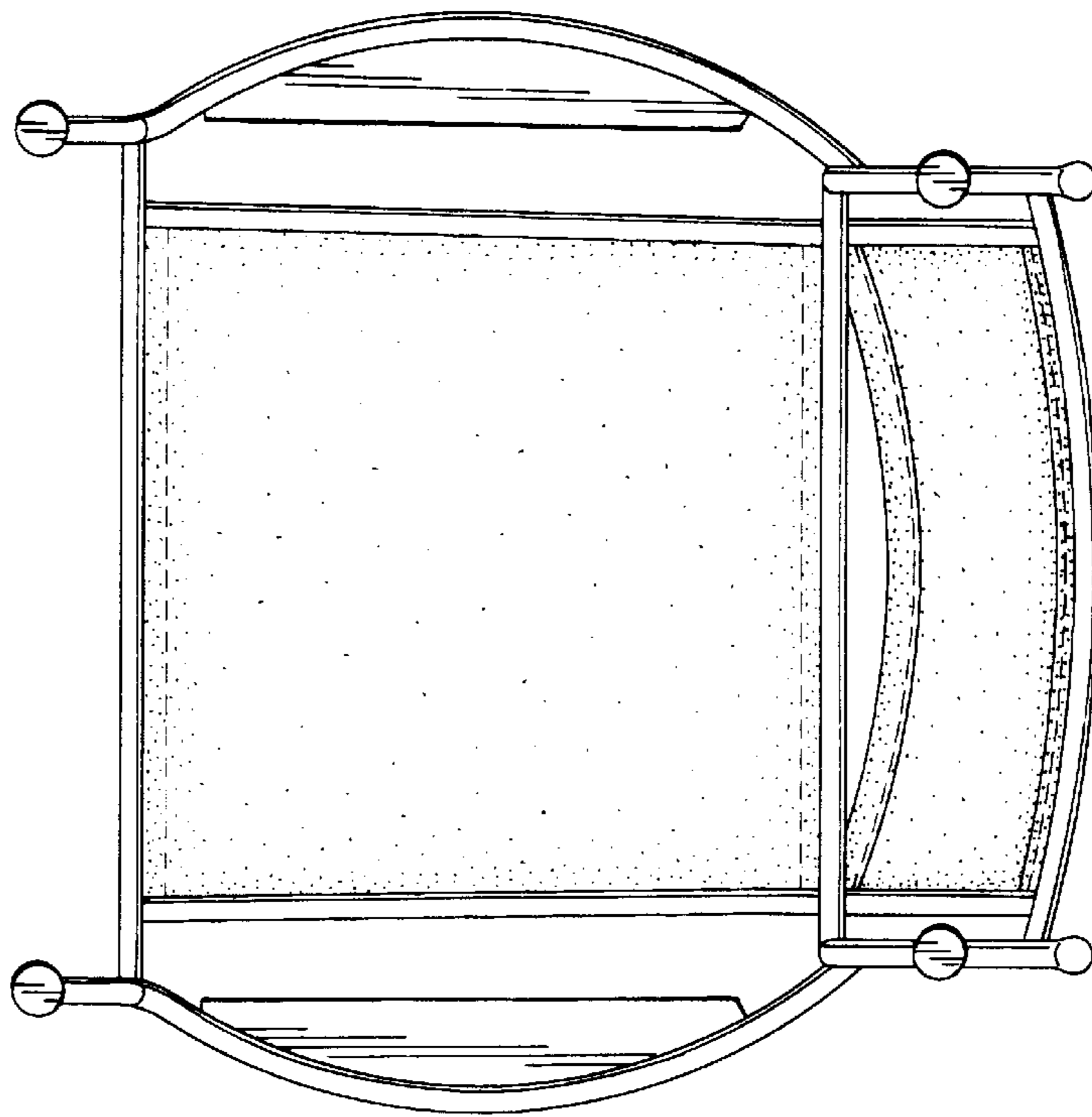


FIG. 7

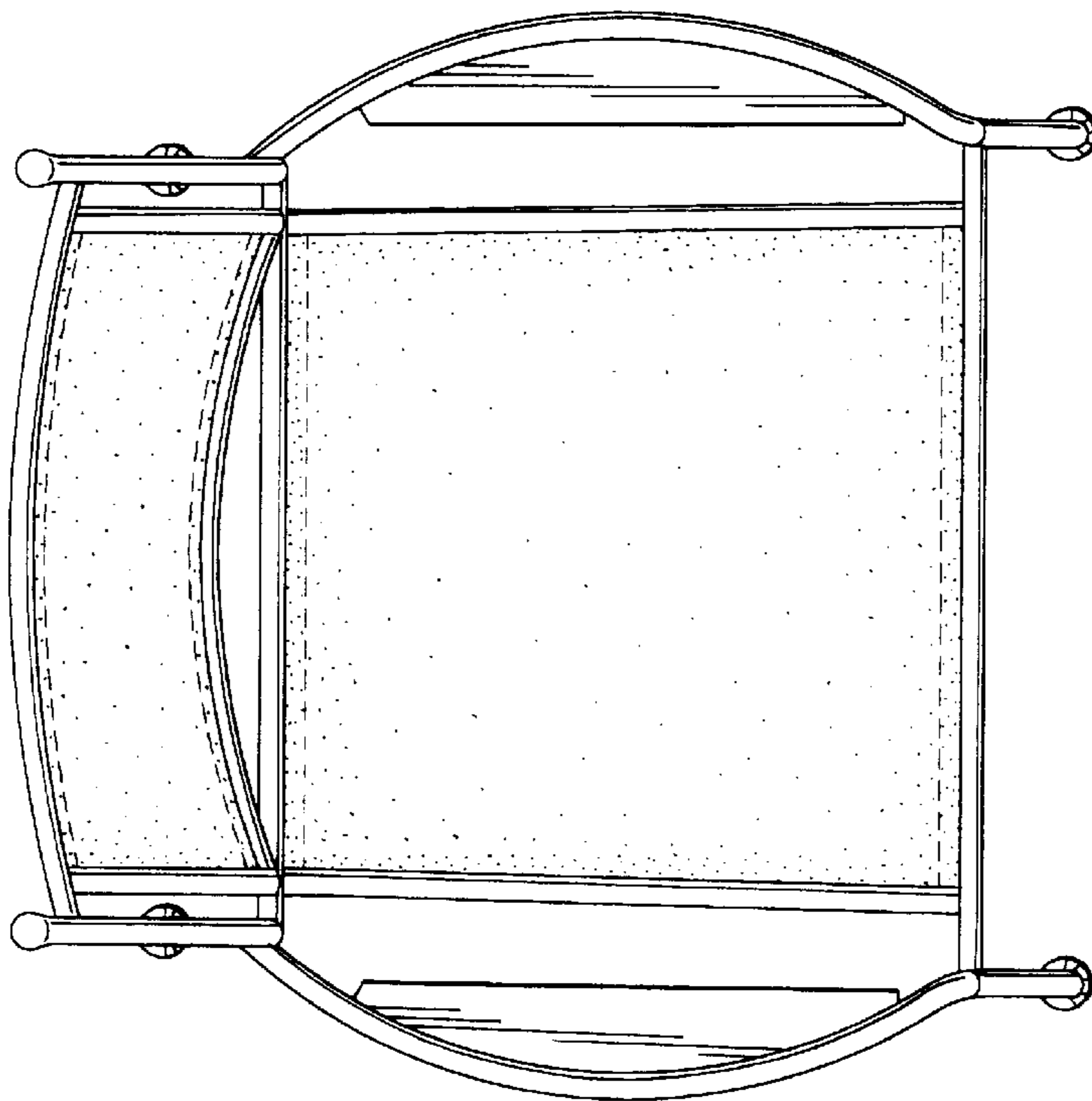


FIG. 6

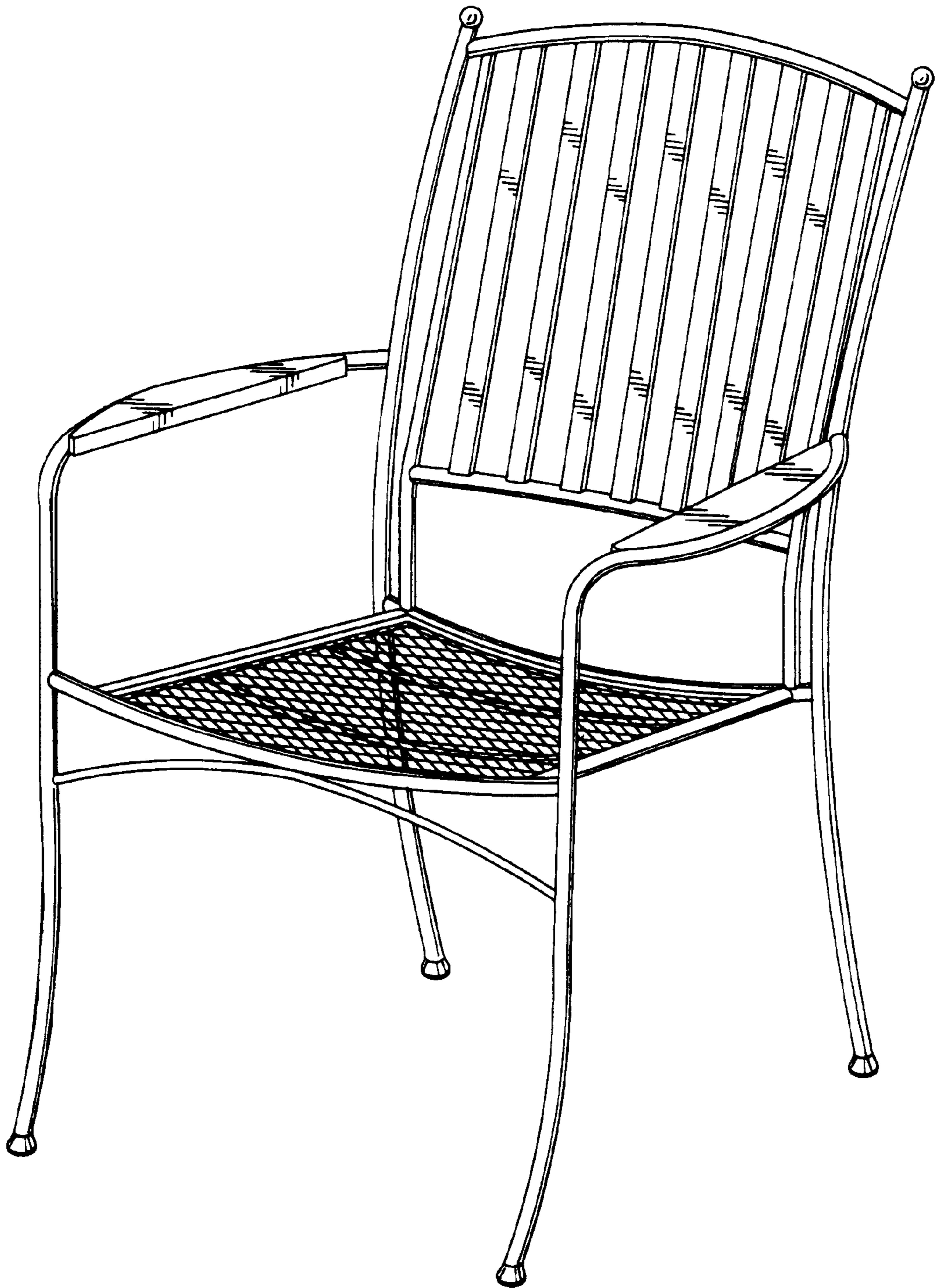


FIG. 8

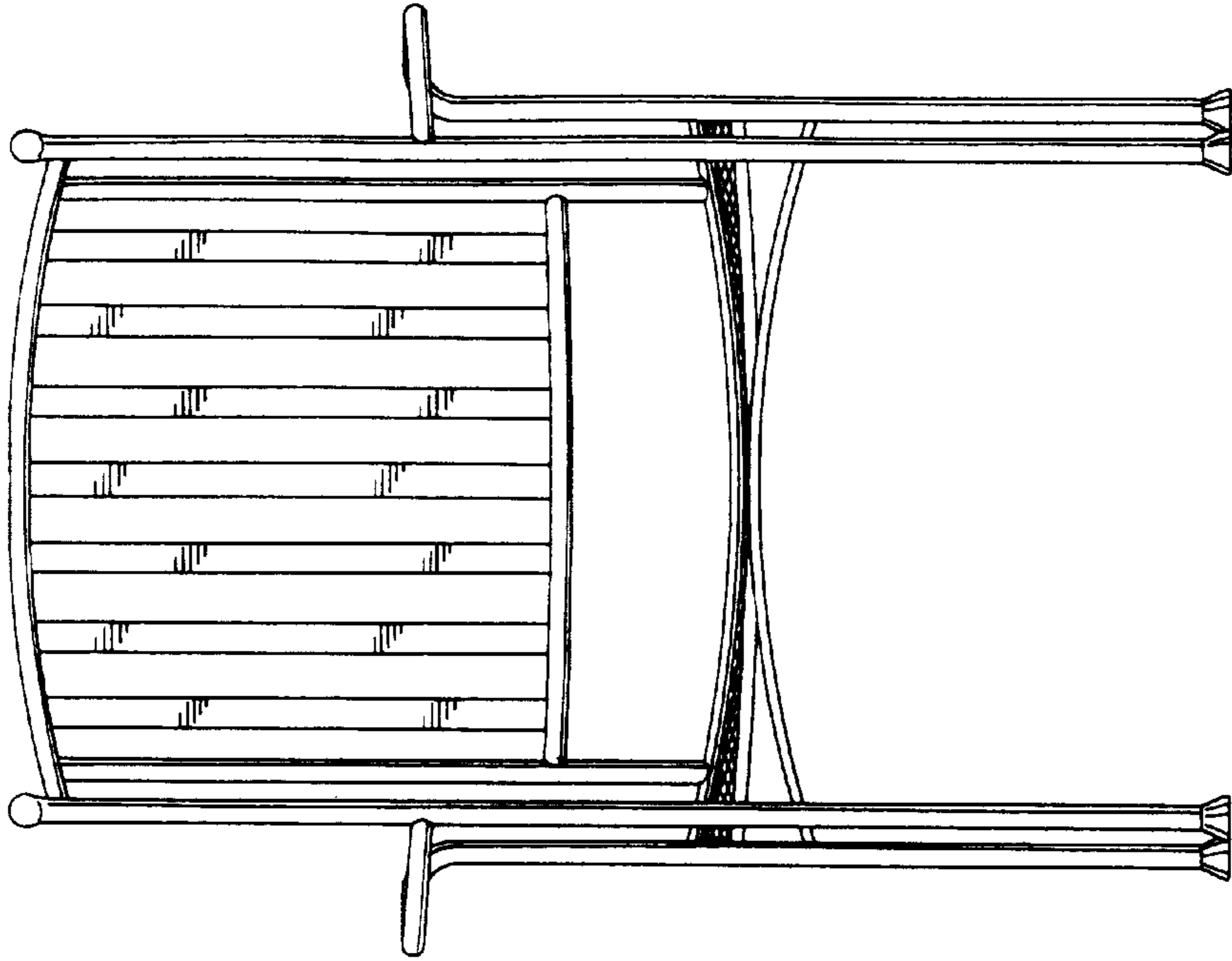


FIG. 10

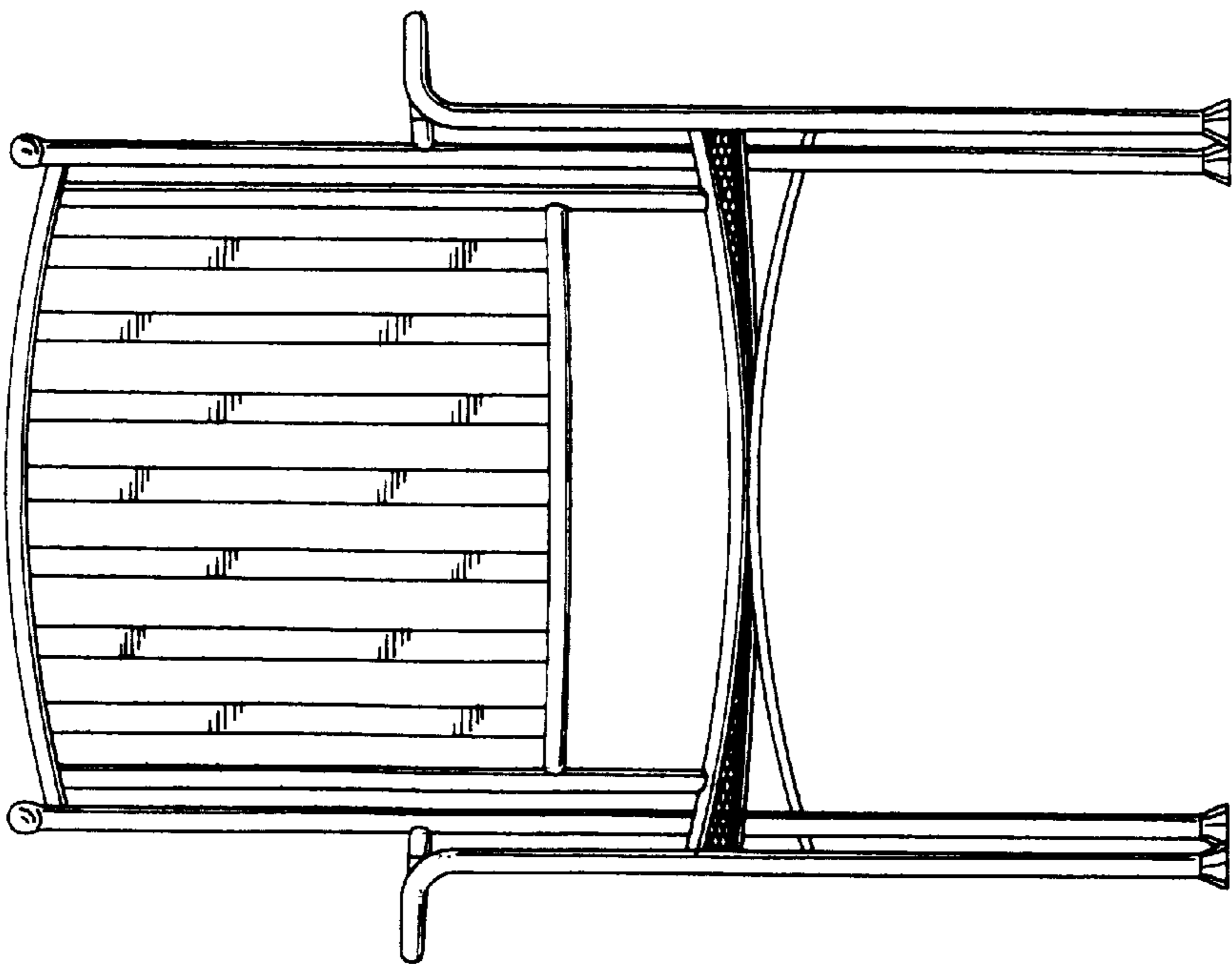


FIG. 9

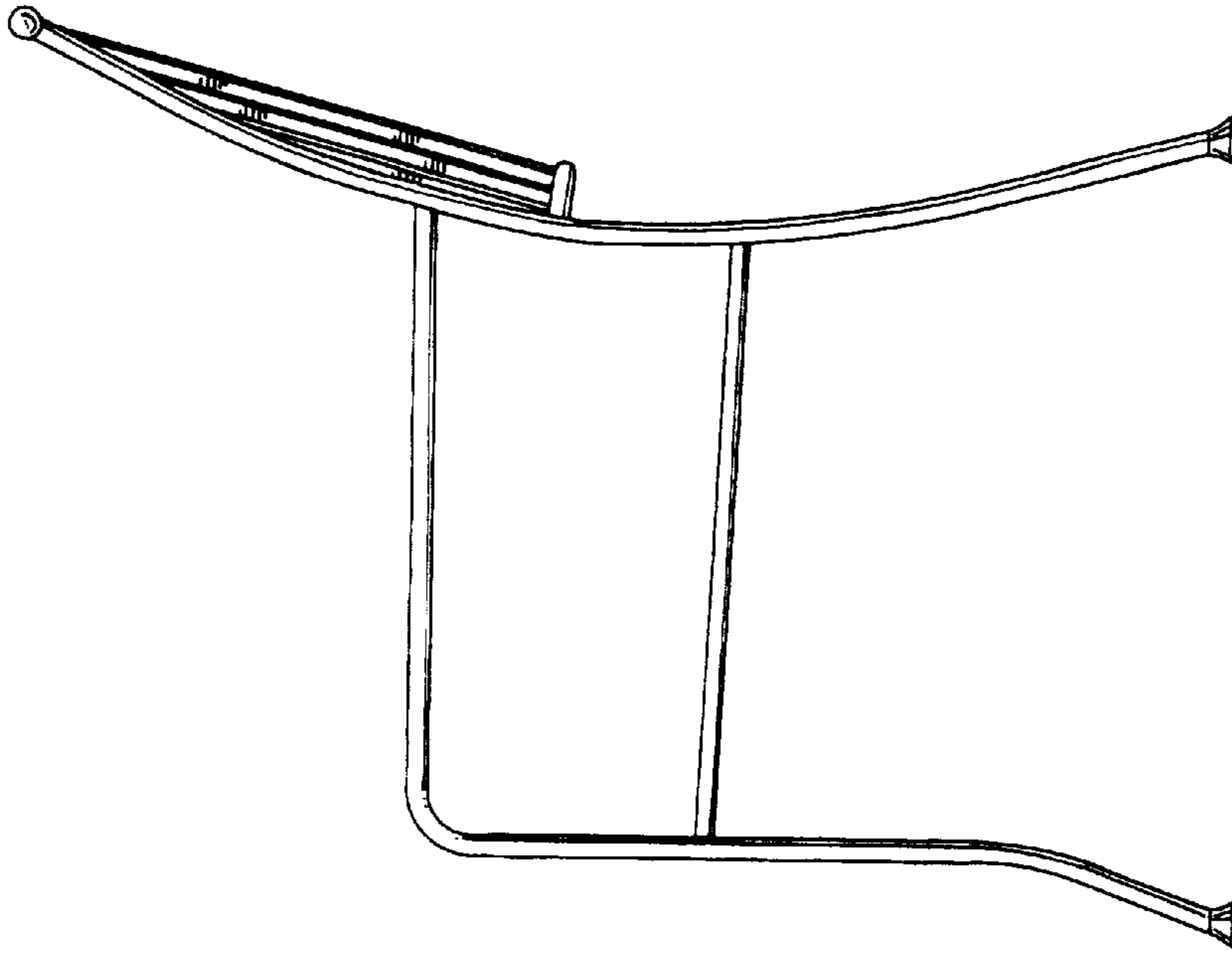


FIG. 12

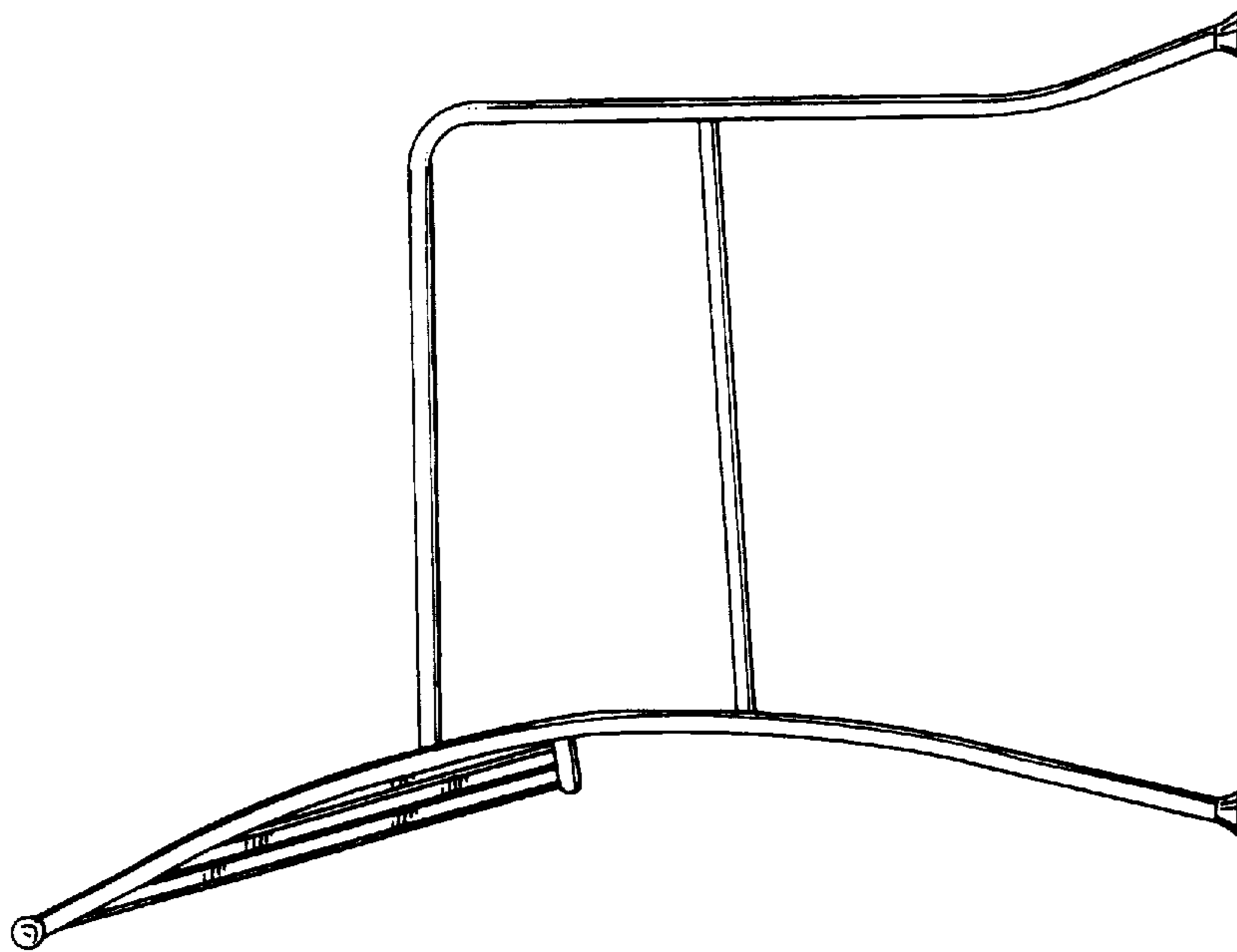


FIG. 11

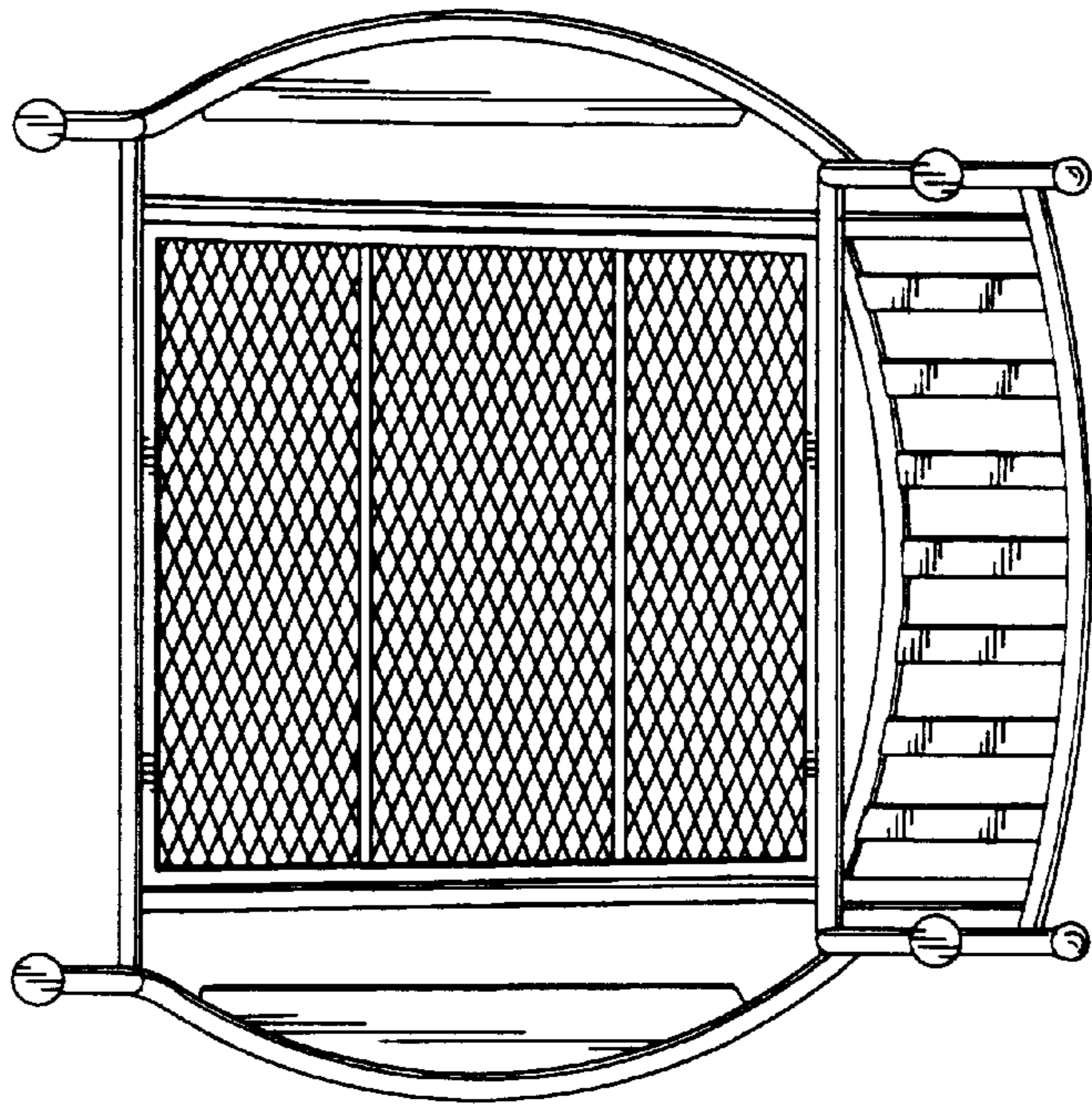


FIG. 14

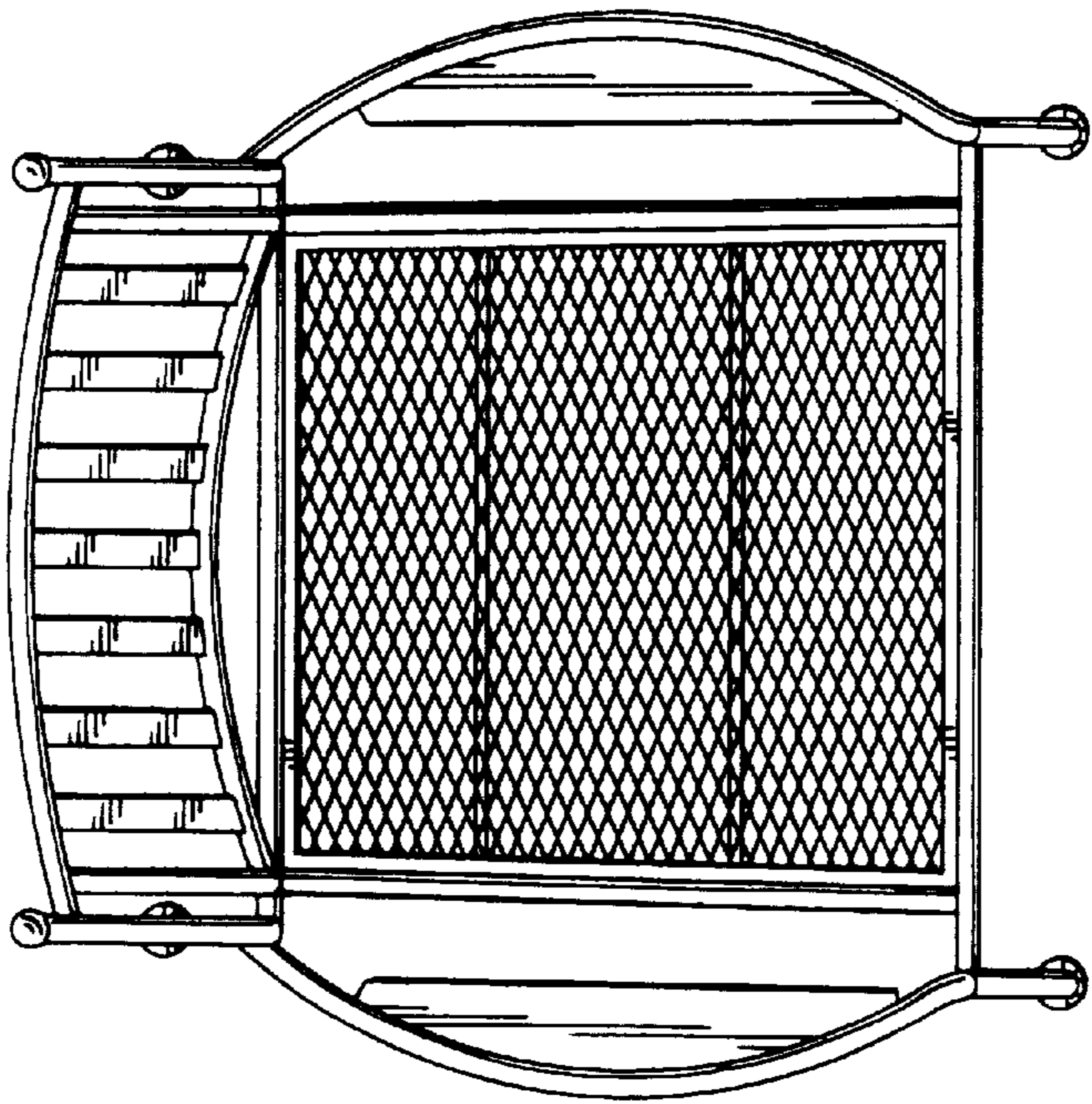


FIG. 13