



US00D434240S

# United States Patent [19] Tseng

[11] **Patent Number: Des. 434,240**

[45] **Date of Patent: \*\* Nov. 28, 2000**

[54] **CHAIR**

[75] Inventor: **Chuen-Jong Tseng**, Chiayi Hsien,  
Taiwan

[73] Assignee: **Shin Yeh Enterprise Co., Ltd.**, Taiwan

[\*\*] Term: **14 Years**

[21] Appl. No.: **29/120,817**

[22] Filed: **Mar. 27, 2000**

[51] **LOC (7) Cl.** ..... **06-01**

[52] **U.S. Cl.** ..... **D6/376; D6/379**

[58] **Field of Search** ..... D6/334, 358, 369,  
D6/370, 374, 376, 379, 380, 500, 501,  
502; 297/446.1, 452.63

[56] **References Cited**

### U.S. PATENT DOCUMENTS

D. 117,267	10/1939	Goldberg	.....	D6/374
D. 141,648	6/1945	Bannister	.....	D6/374
D. 239,582	4/1976	Grosfiller	.....	D6/376

D. 260,331	8/1981	Orosa	.....	D6/369
D. 341,964	12/1993	Sorrentino	.....	D6/500
D. 356,224	3/1995	McGuire	.....	D6/502
D. 358,268	5/1995	Kirchner et al.	.....	D6/380
D. 412,792	8/1999	Mendoza	.....	D6/358
D. 426,975	6/2000	Gaylord et al.	.....	D6/376

*Primary Examiner*—Gary D. Watson  
*Attorney, Agent, or Firm*—Ladas & Parry

[57] **CLAIM**

The ornamental design for chair, as shown and described.

### DESCRIPTION

FIG. 1 is a perspective view of chair showing my new design;

FIG. 2 is a front elevational view thereof;

FIG. 3 is a rear elevational view thereof;

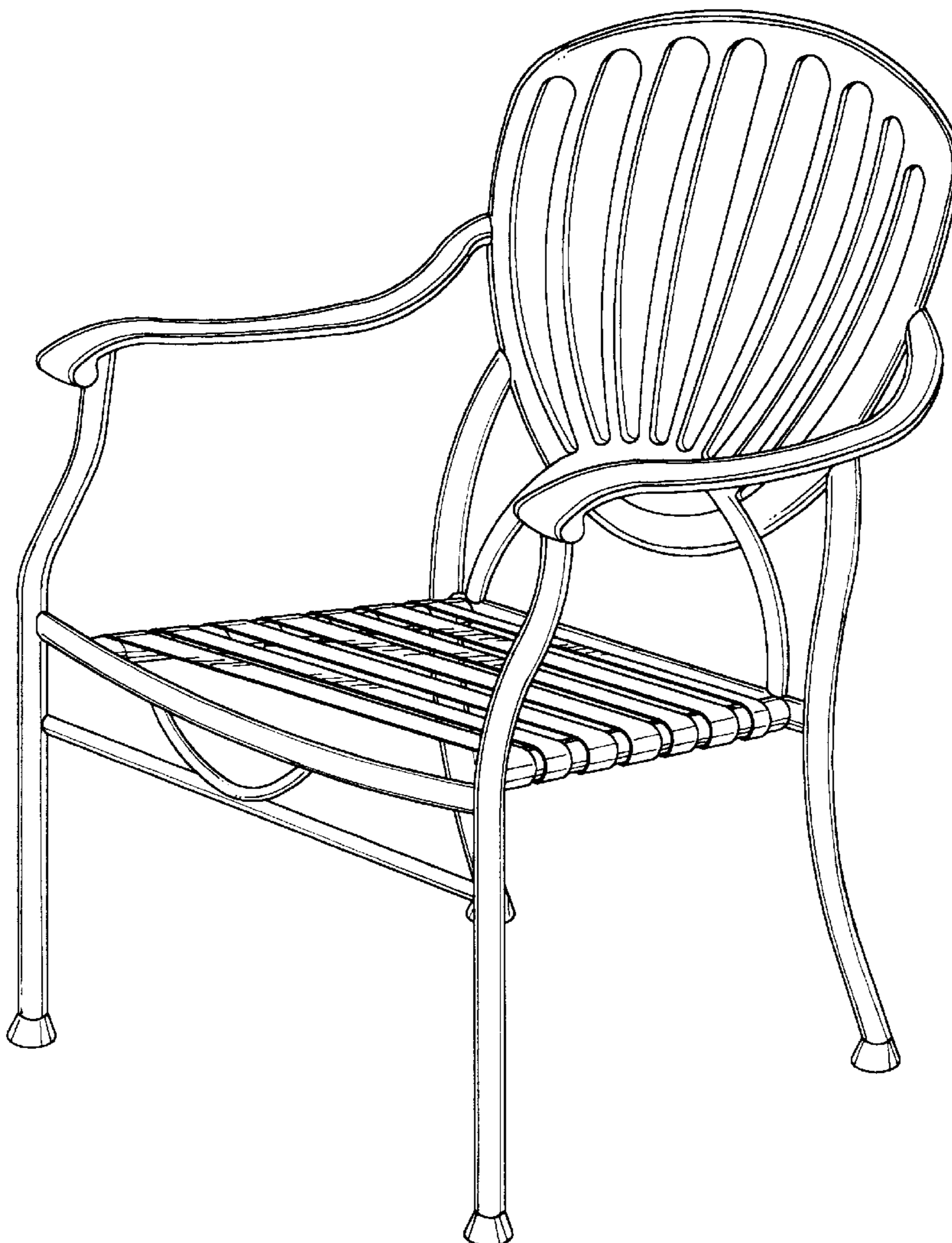
FIG. 4 is a left side elevational view thereof;

FIG. 5 is a right side elevational view thereof;

FIG. 6 is a top plan view thereof; and,

FIG. 7 is a bottom plan view thereof.

**1 Claim, 4 Drawing Sheets**



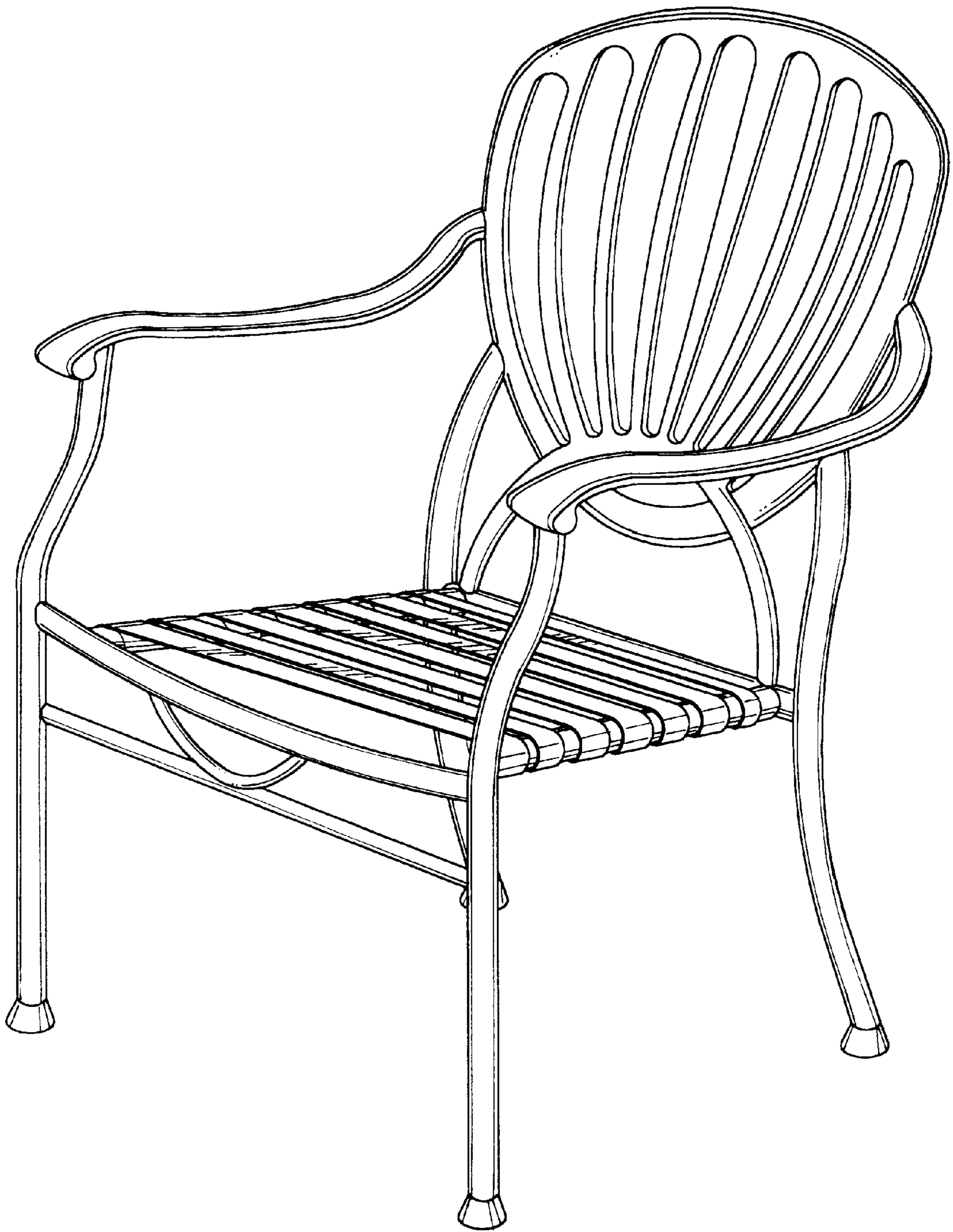


FIG. 1

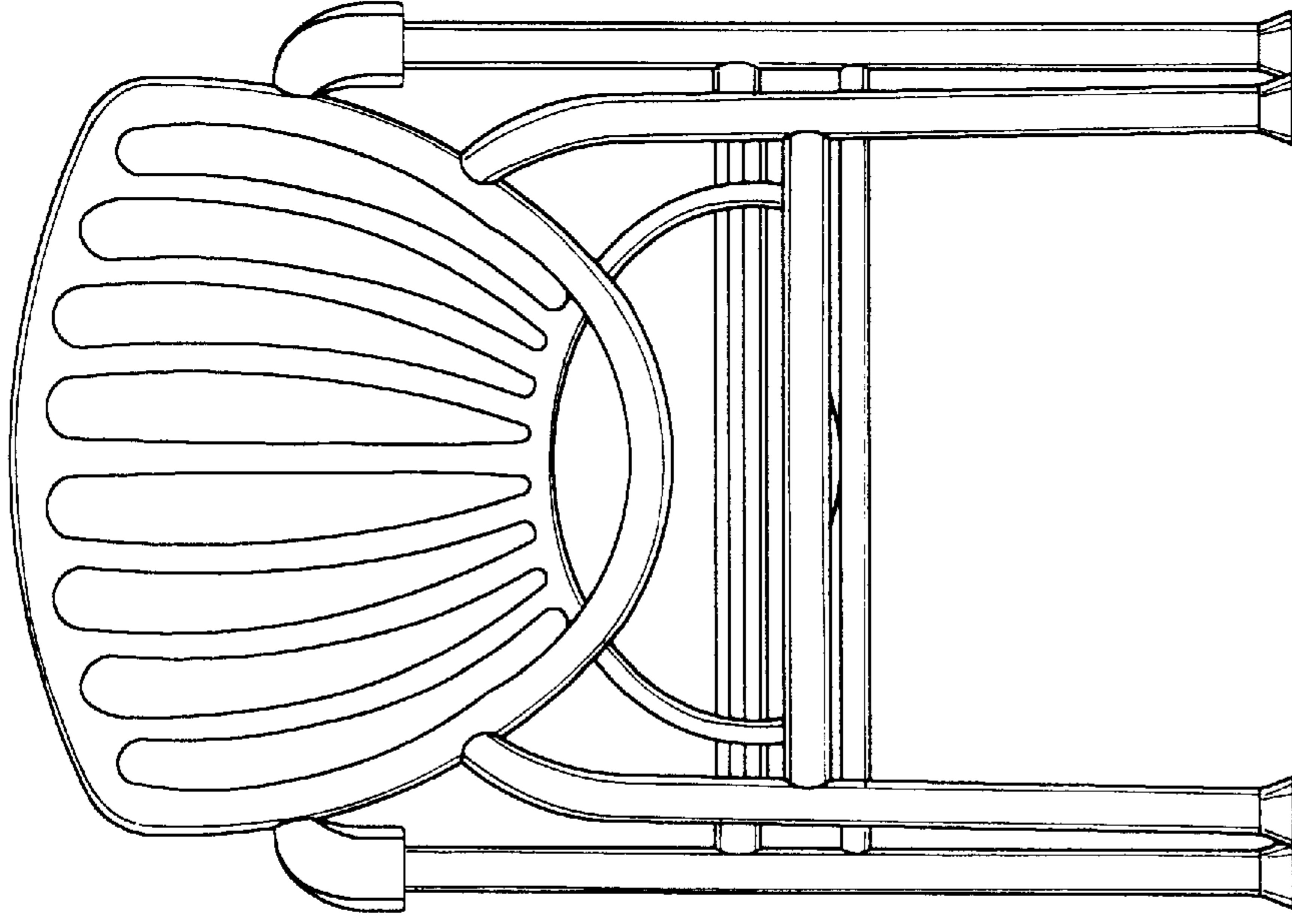


FIG. 3

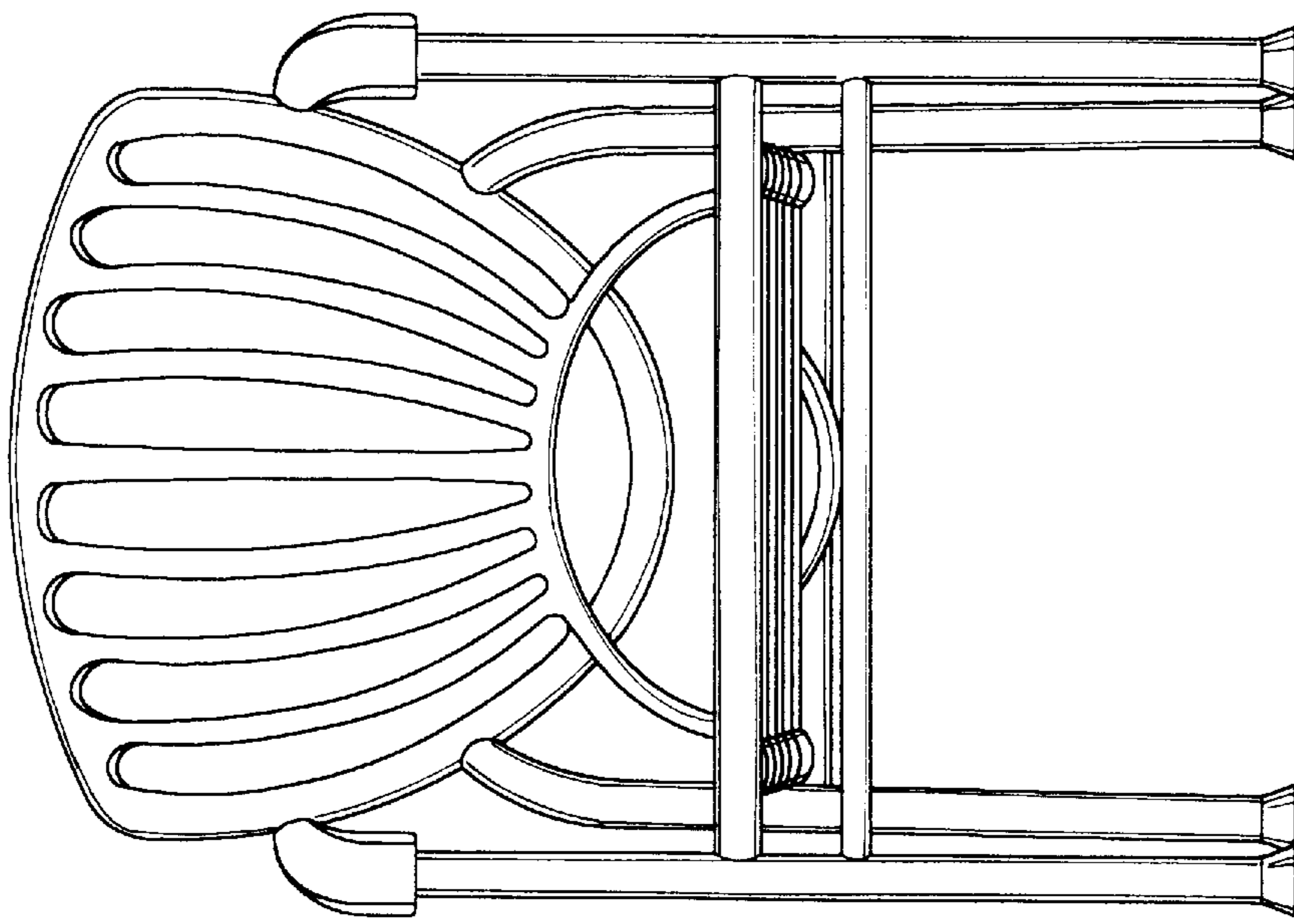


FIG. 2

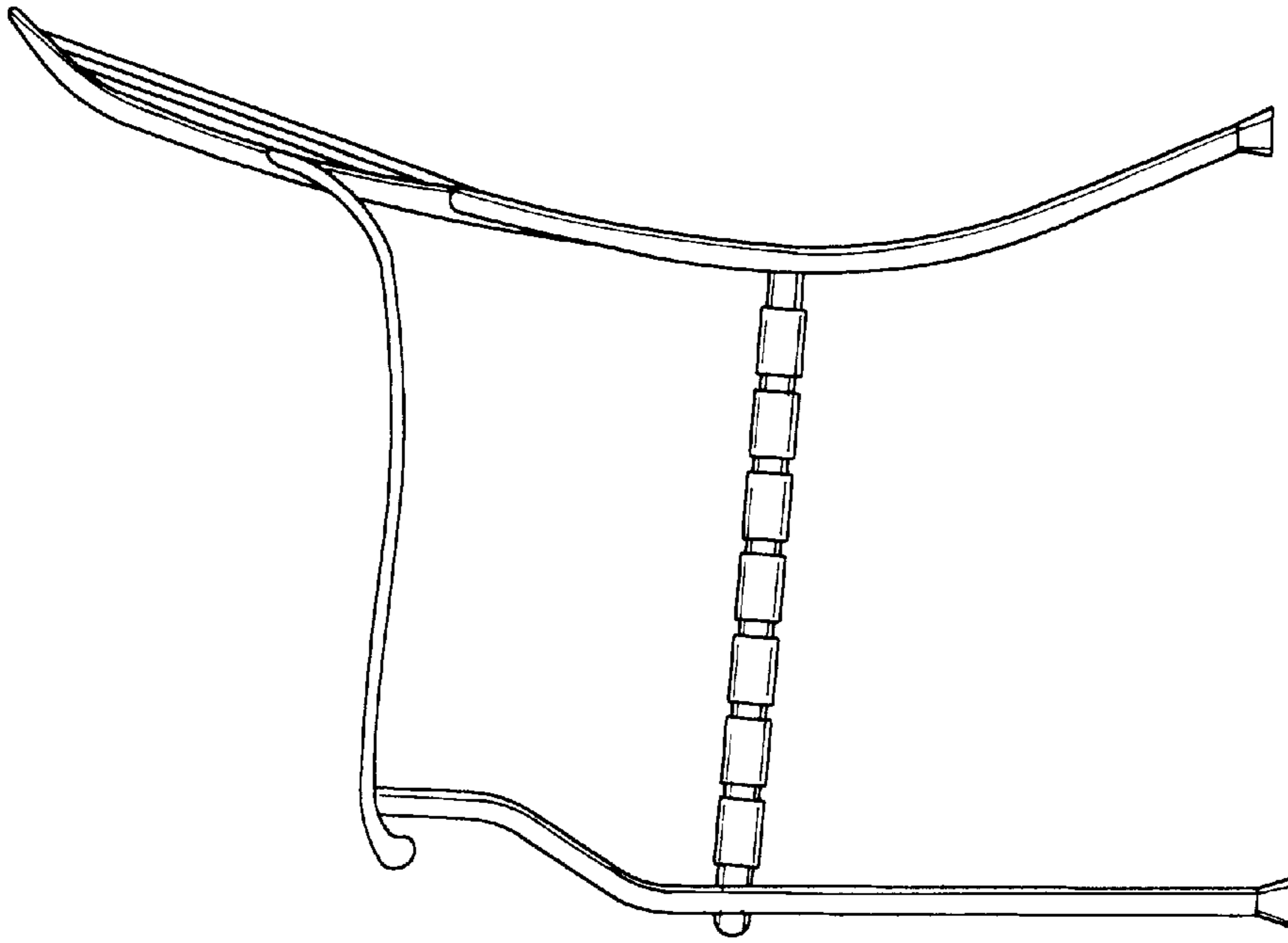


FIG. 5

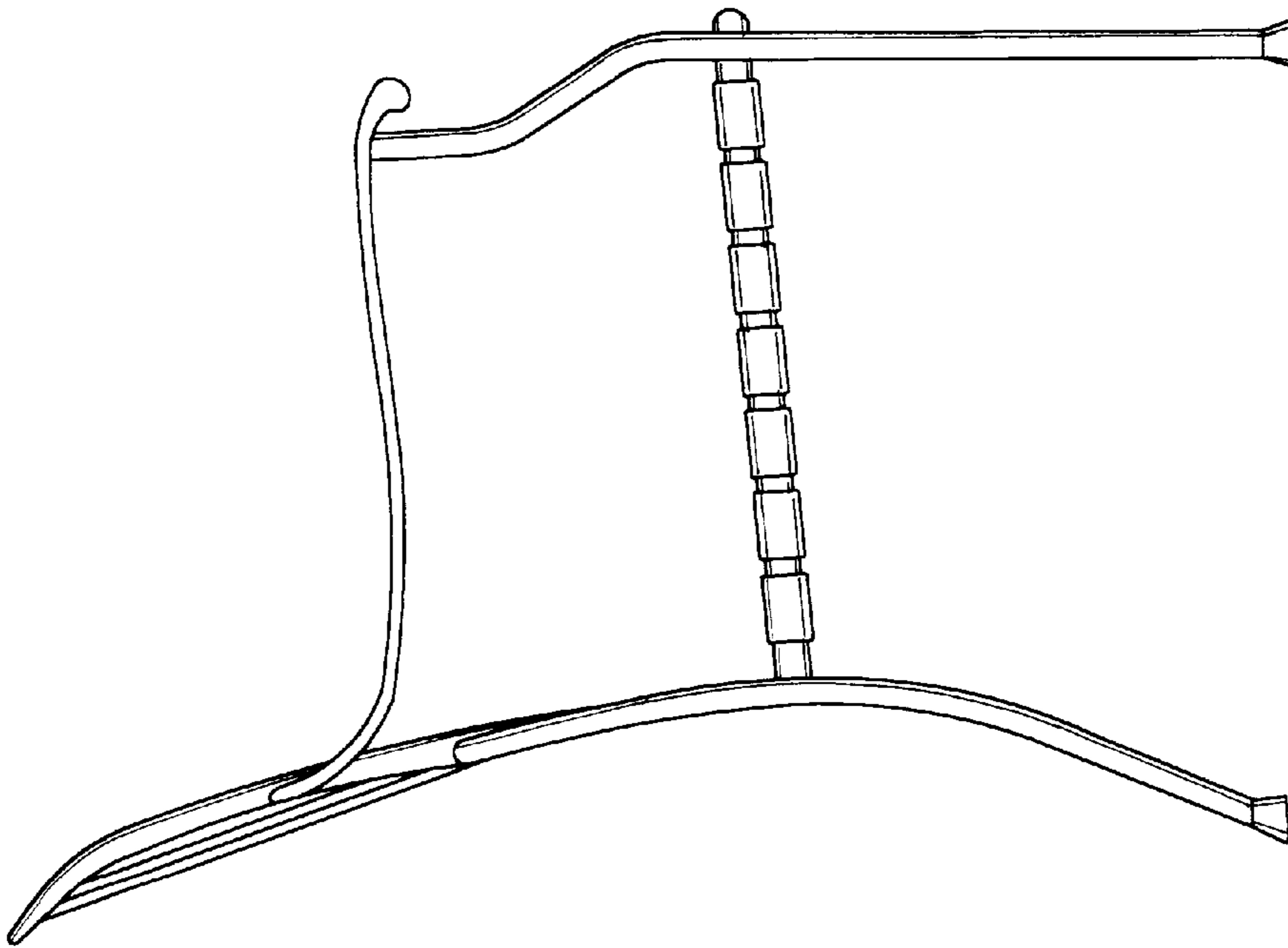


FIG. 4

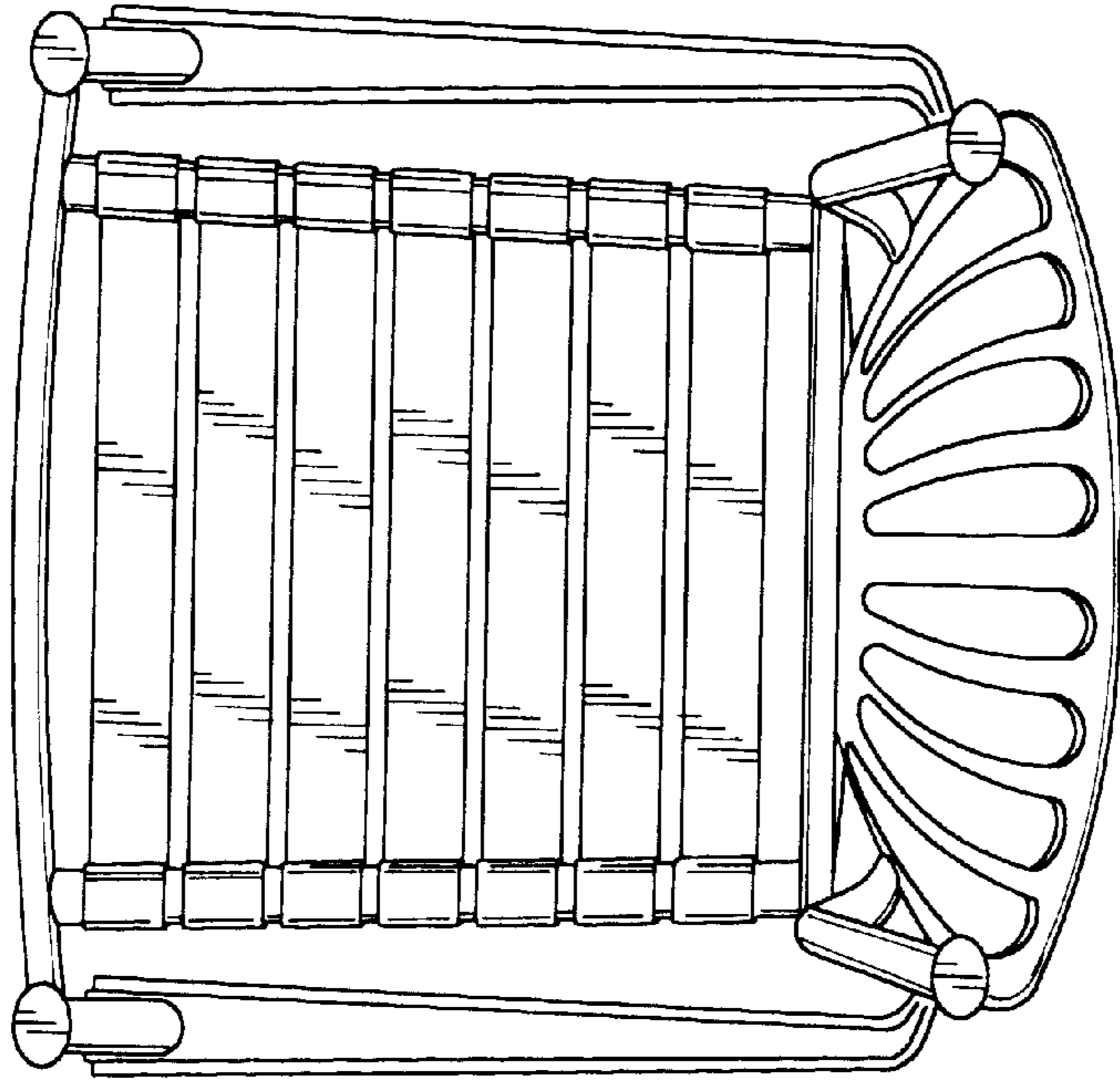


FIG. 7

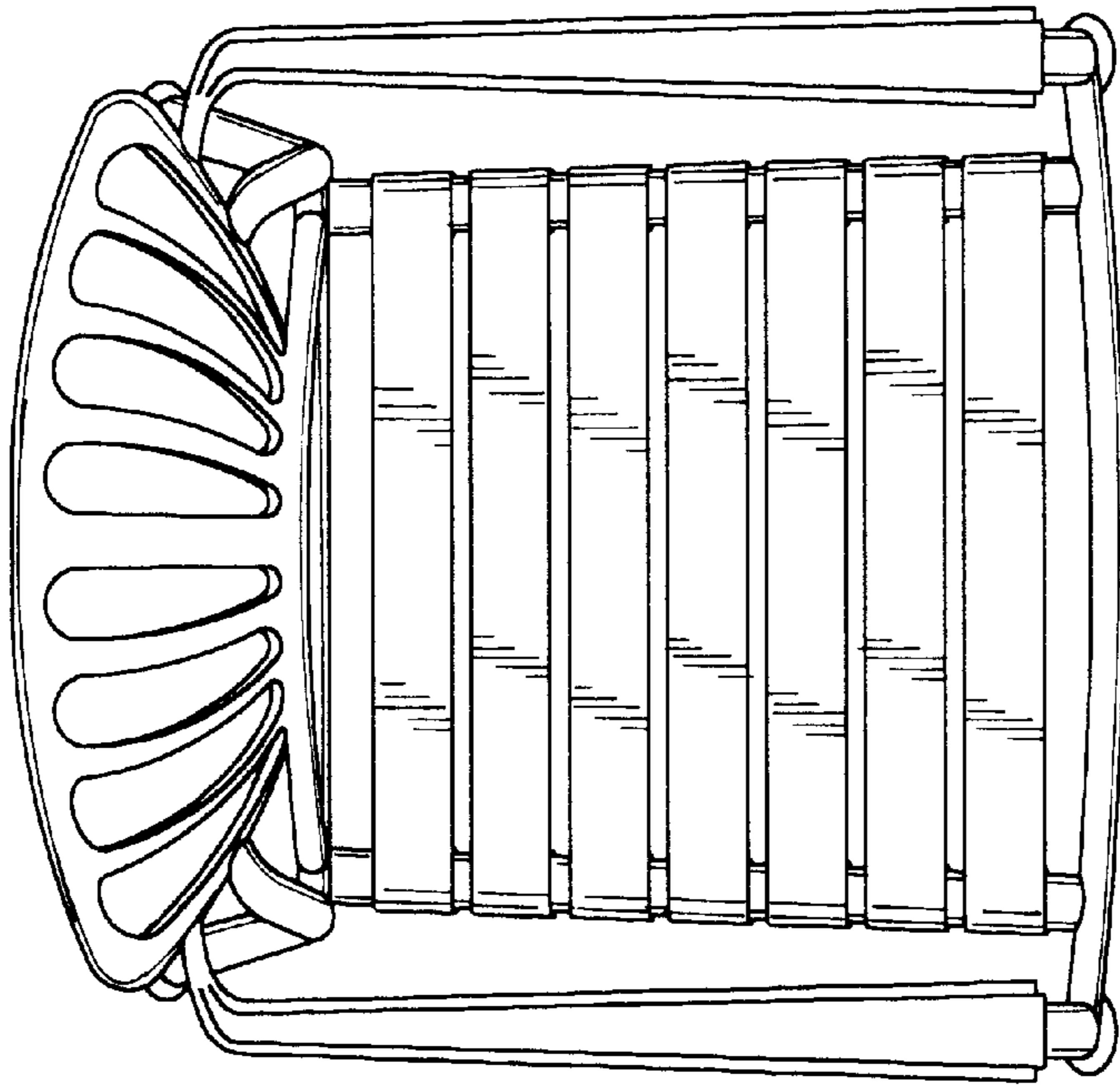


FIG. 6