



US00D434238S

United States Patent [19]
Tseng

[11] **Patent Number: Des. 434,238**

[45] **Date of Patent: ** Nov. 28, 2000**

[54] **CHAIR**

[75] Inventor: **Chuen-Jong Tseng**, Chiayi Hsien,
Taiwan

[73] Assignee: **Shin Yen Enterprise Co., Ltd.**, Chiayi
Hsien, Taiwan

[**] Term: **14 Years**

[21] Appl. No.: **29/081,908**

[22] Filed: **Jan. 12, 1998**

[51] **LOC (7) Cl.** **06-01**

[52] **U.S. Cl.** **D6/366**

[58] **Field of Search** D6/334, 364, 365,
D6/366, 367, 379, 500, 501, 502; 297/411.2,
411.24, 411.27, 411.28

[56] **References Cited**

U.S. PATENT DOCUMENTS

| | | | | |
|------------|--------|-----------------|-------|--------|
| D. 275,430 | 9/1984 | Ochsner | | D6/366 |
| D. 295,467 | 5/1988 | Bellini | | D6/366 |
| D. 301,662 | 6/1989 | Vonhausen | | D6/366 |
| D. 313,703 | 1/1991 | Moschini et al. | | D6/366 |

| | | | | |
|------------|---------|----------------|-------|--------|
| D. 355,303 | 2/1995 | Scheper et al. | | D6/366 |
| D. 370,789 | 6/1996 | Groulx | | D6/366 |
| D. 371,264 | 7/1996 | McDiarmid | | D6/502 |
| D. 374,778 | 10/1996 | Tedesco et al. | | D6/366 |
| D. 383,021 | 9/1997 | Lu | | D6/500 |
| D. 384,510 | 10/1997 | Tedesco et al. | | D6/366 |
| D. 387,586 | 12/1997 | Win | | D6/500 |
| D. 387,917 | 12/1997 | Tedesco et al. | | D6/366 |
| D. 395,762 | 7/1998 | Saul | | D6/366 |

Primary Examiner—Gary D. Watson
Attorney, Agent, or Firm—Ladas & Parry

[57] **CLAIM**

The ornamental design for a chair, as shown and described.

DESCRIPTION

FIG. 1 is a perspective view of chair showing my new design;

FIG. 2 is a front elevational view thereof;

FIG. 3 is a rear elevational view thereof;

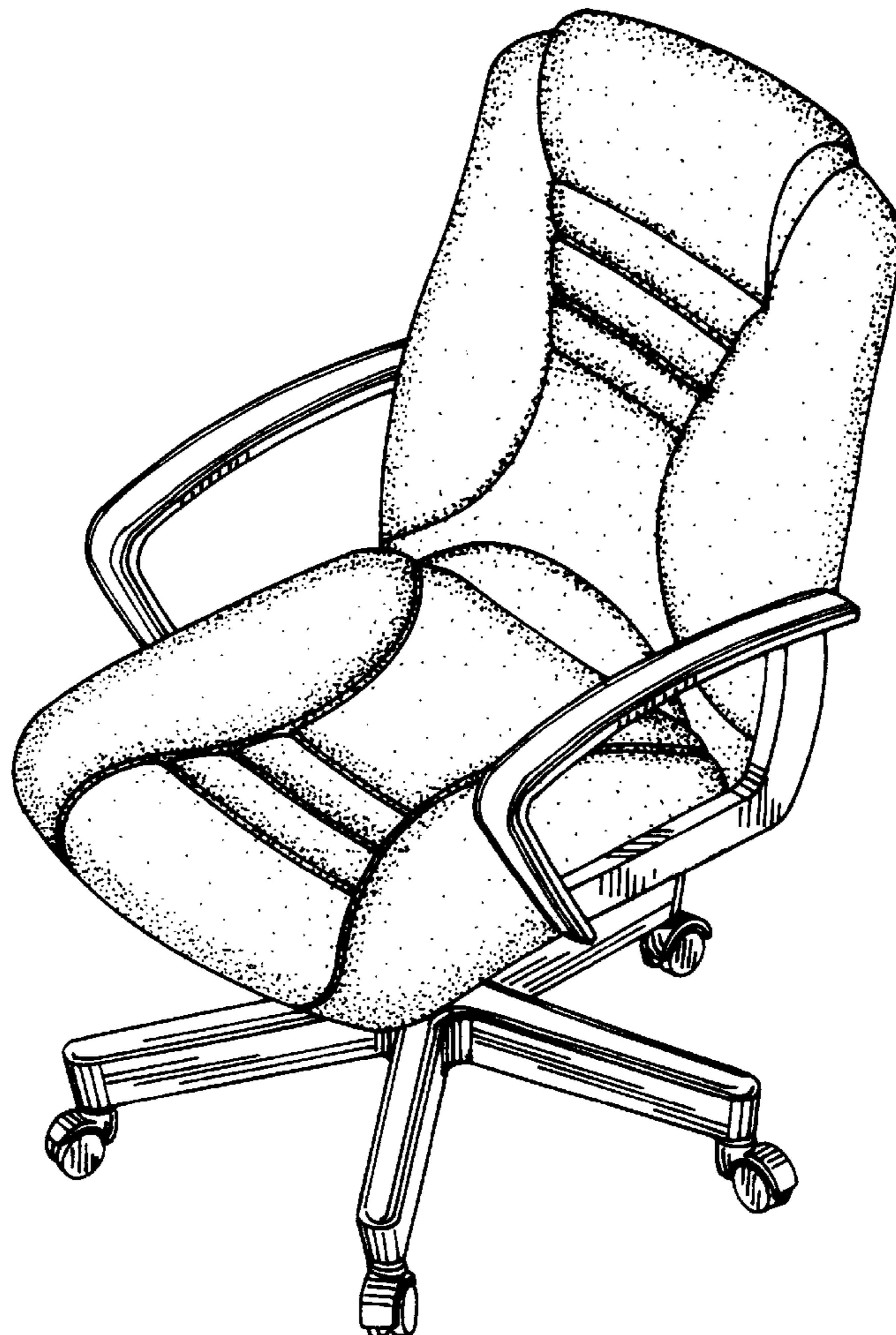
FIG. 4 is a left side elevational view thereof;

FIG. 5 is a right side elevational view thereof;

FIG. 6 is a top plan view thereof; and,

FIG. 7 is a bottom plan view thereof.

1 Claim, 4 Drawing Sheets



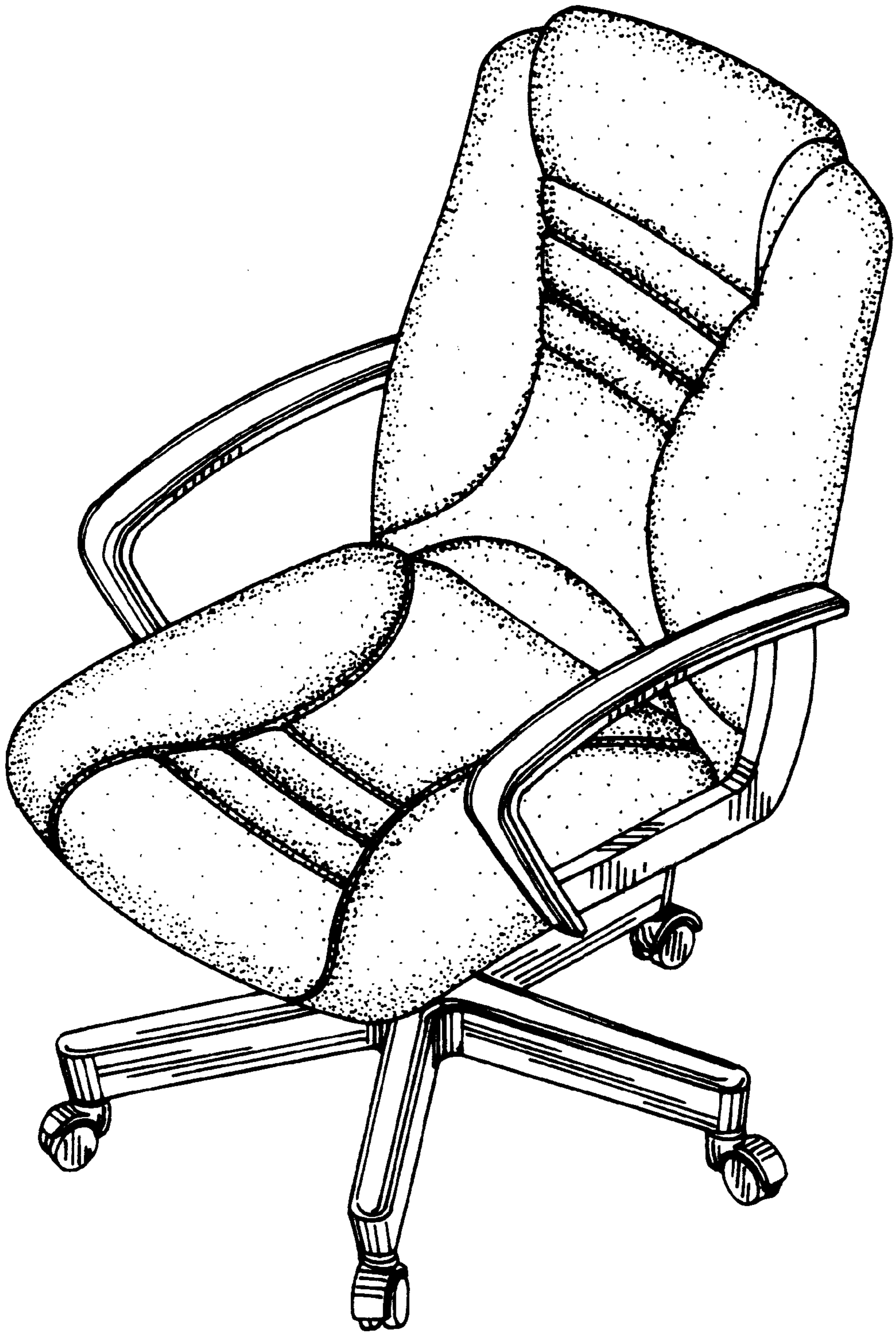


FIG. 1

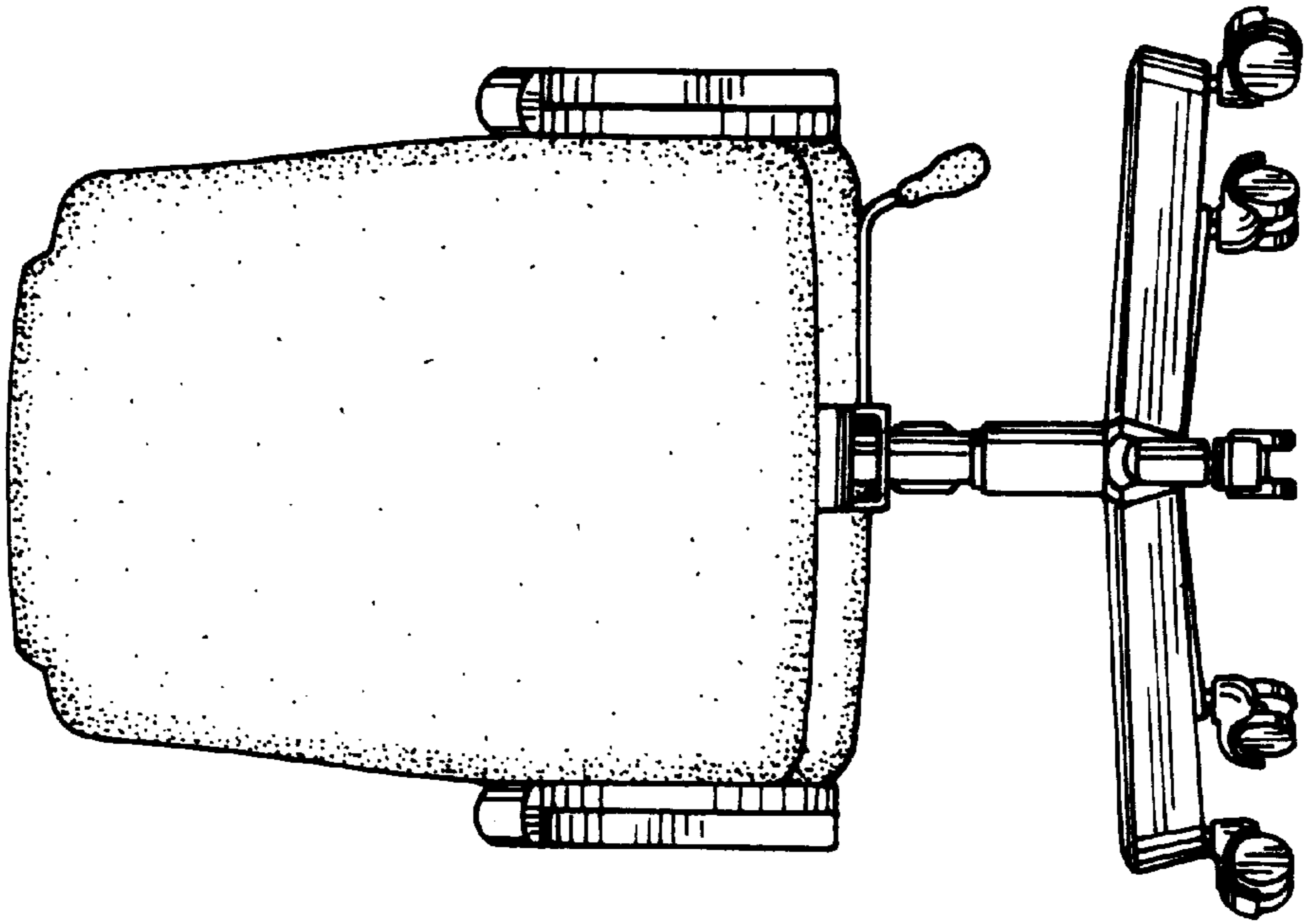


FIG.3

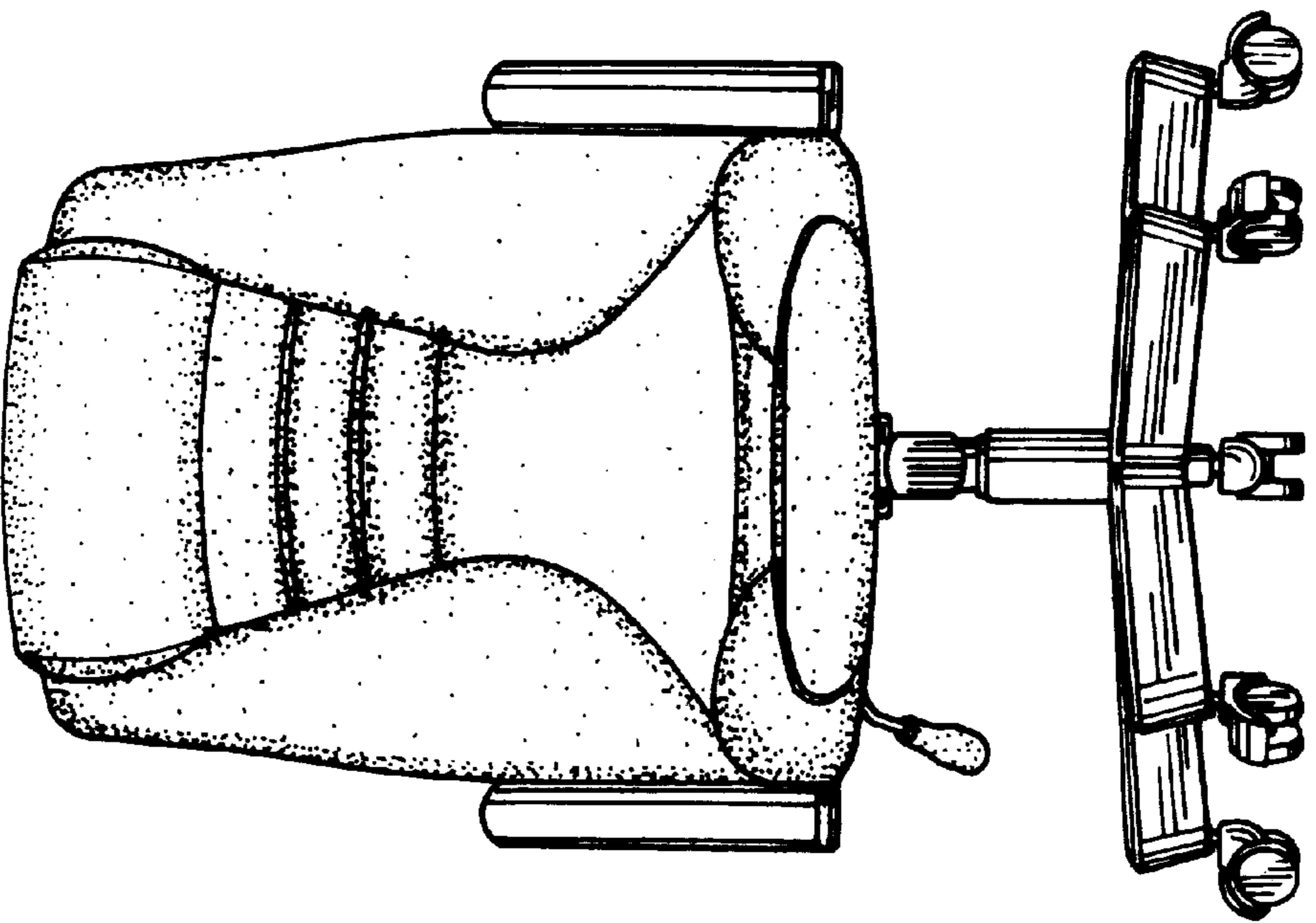


FIG.2

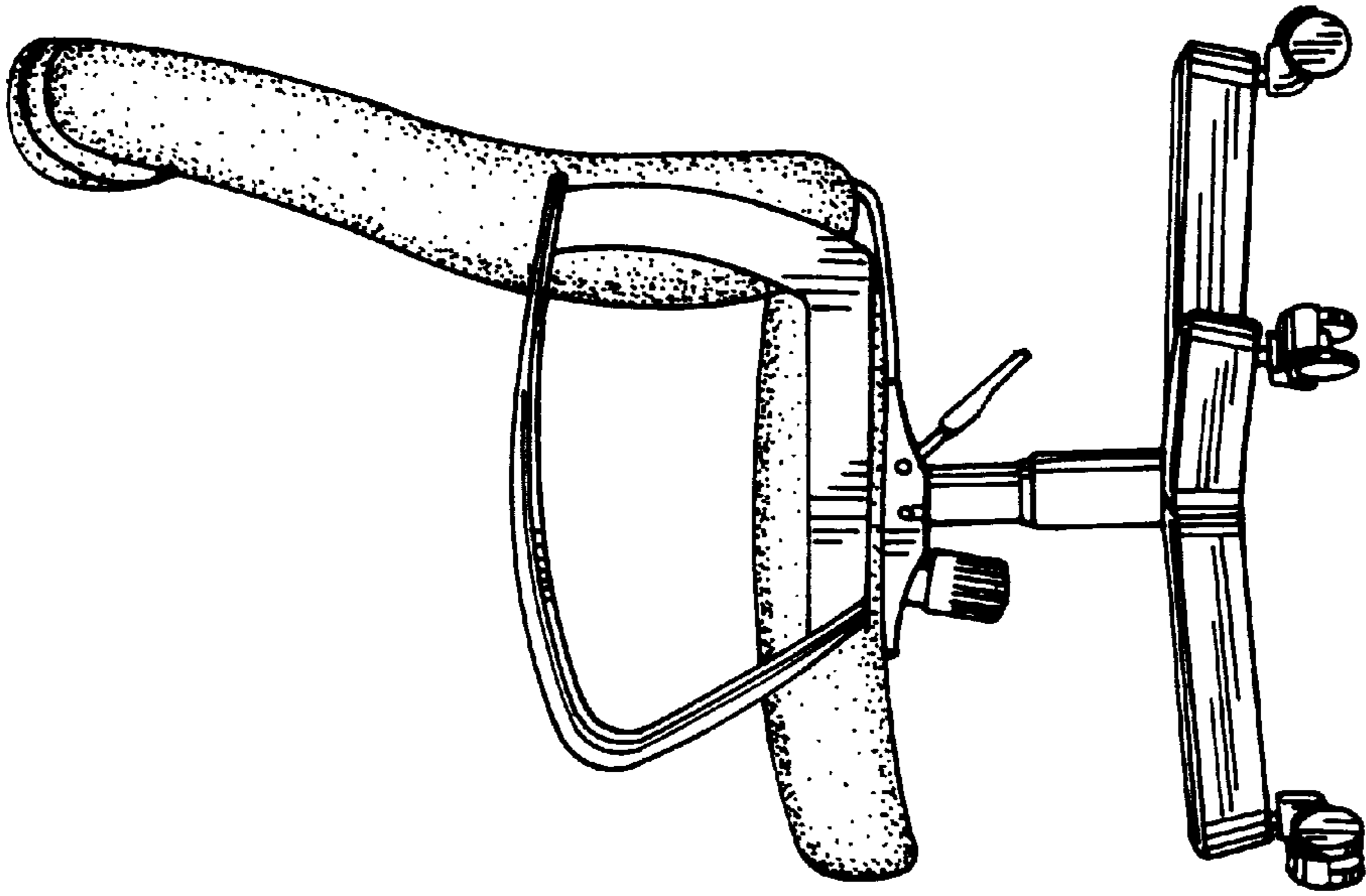


FIG. 5

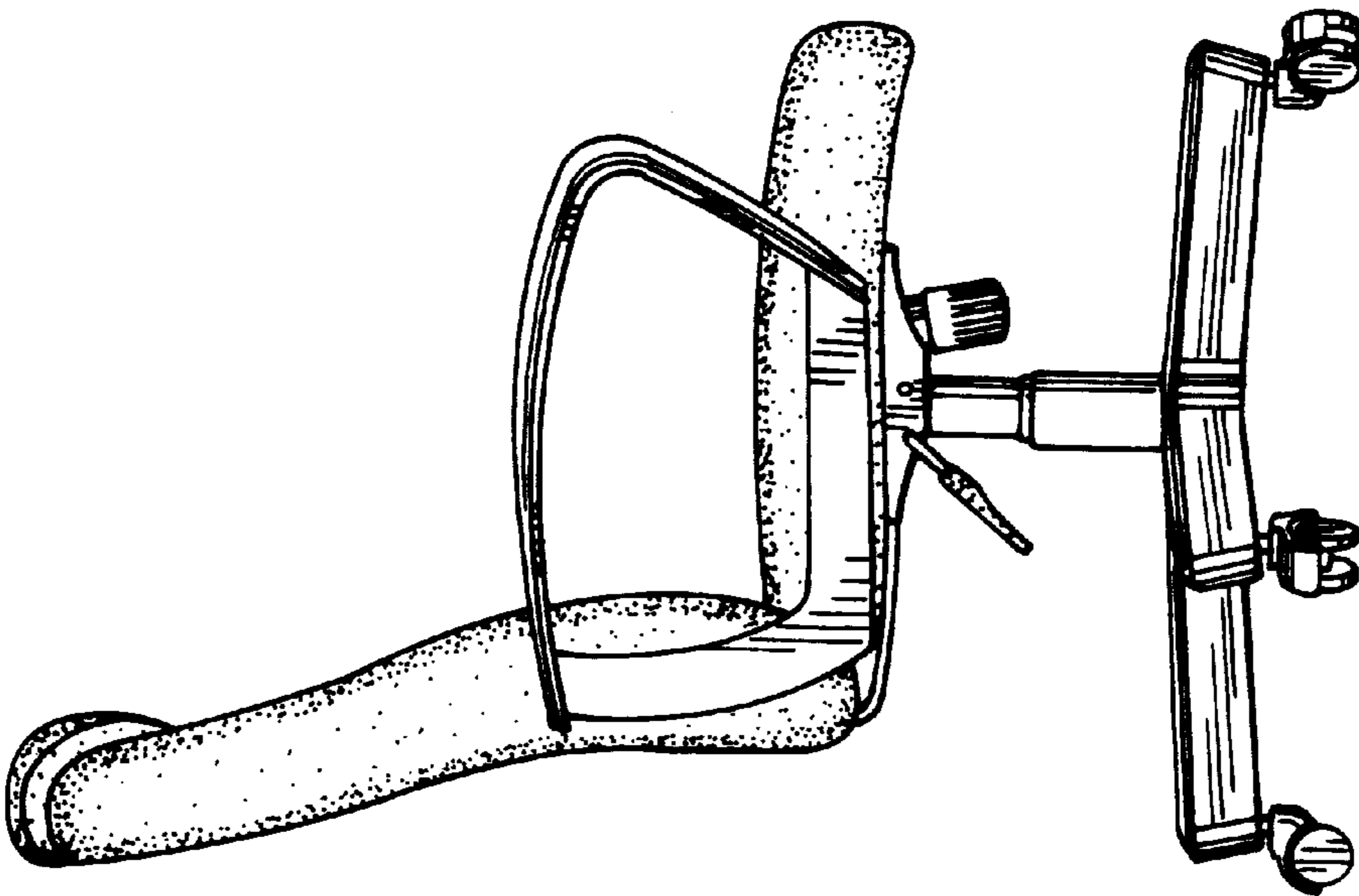


FIG. 4

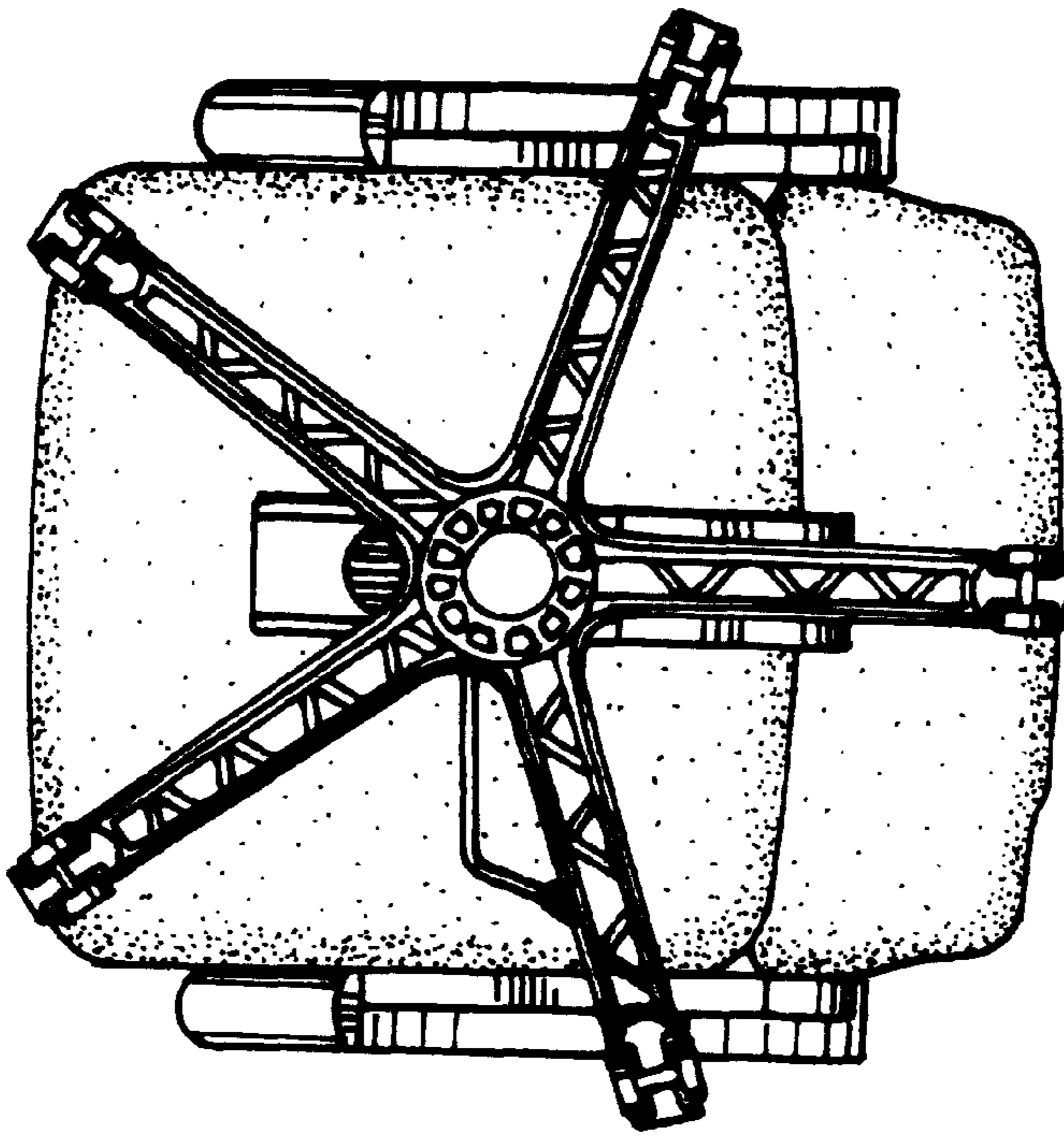


FIG. 7

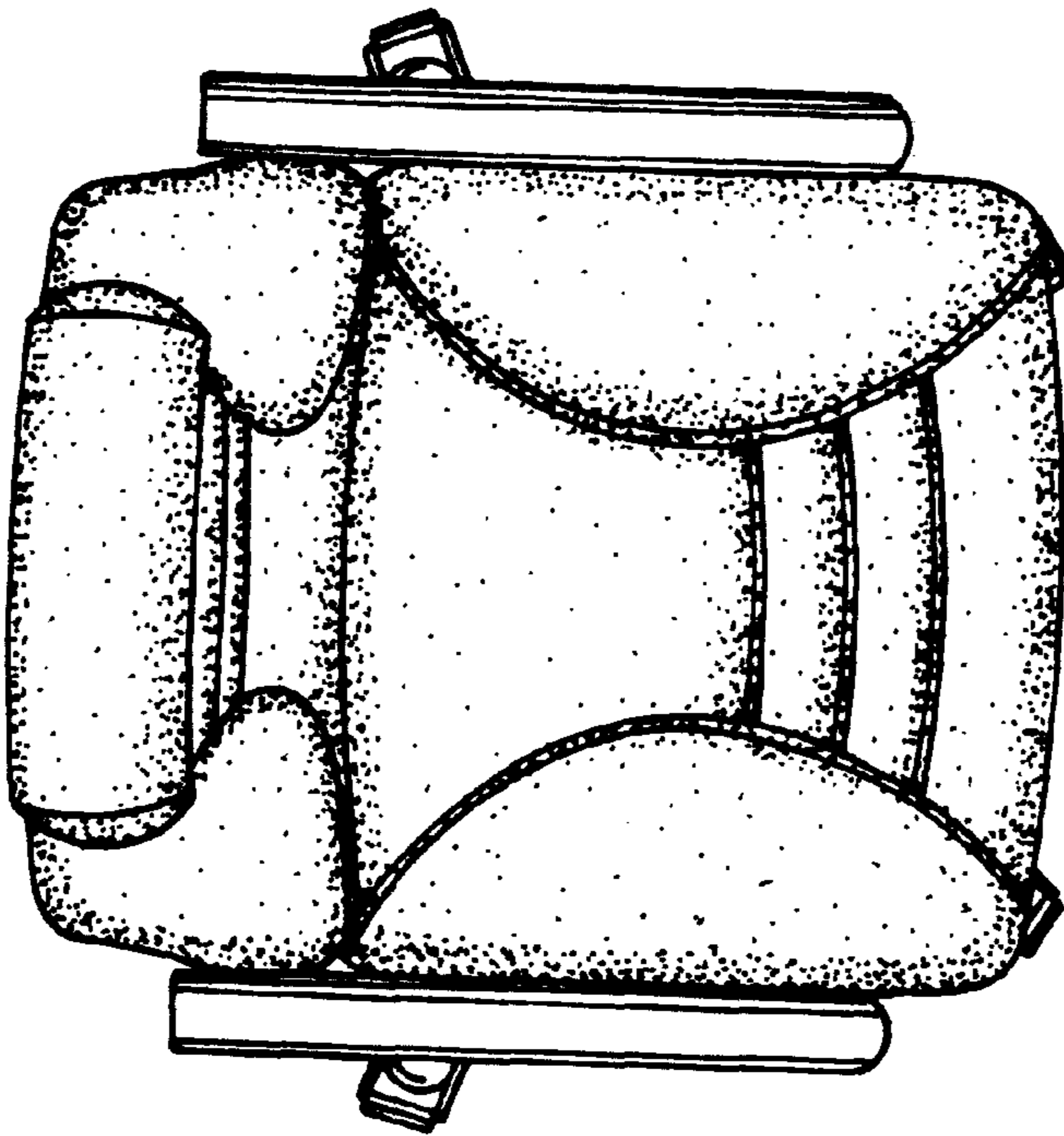


FIG. 6