

US00D434237S

United States Patent [19]
Binder et al.

[11] **Patent Number: Des. 434,237**
[45] **Date of Patent: ** Nov. 28, 2000**

[54] **CHAISE LOUNGE**

D. 387,572 12/1997 Lewis D6/361
D. 400,364 11/1998 Hutton D6/361

[76] Inventors: **Adele H. Binder**, 130 Delfern Dr., Los Angeles, Calif. 90077; **Brad M. Hunter**, 1480 Rising Glen Rd., Los Angeles, Calif. 90069

OTHER PUBLICATIONS

Nic. Liesenbein's Sons, p. 94, Lounge #4026 at top left, ©1921.

[**] Term: **14 Years**

Primary Examiner—Gary D. Watson
Attorney, Agent, or Firm—Marshall, O'Toole, Gerstein, Murray & Borun

[21] Appl. No.: **29/109,680**

[22] Filed: **Aug. 19, 1999**

[57] **CLAIM**

The ornamental design for a chaise lounge, as shown.

[51] **LOC (7) Cl.** **06-01**

[52] **U.S. Cl.** **D6/361**

DESCRIPTION

[58] **Field of Search** D6/334, 335, 336, D6/360, 361, 377, 500, 501, 502; 5/12.1, 733; 297/423.1, 445.1, 446.1, DIG. 7

FIG. 1 is a perspective view of a chaise lounge in accordance with the present invention;
FIG. 2 is a front view of the chaise lounge of FIG. 1;
FIG. 3 is a right-side view of the chaise lounge;
FIG. 4 is a back view of the chaise lounge;
FIG. 5 is a left-side view of the chaise lounge; and,
FIG. 6 is a top view of the chaise lounge.

[56] **References Cited**

U.S. PATENT DOCUMENTS

D. 158,046 4/1950 Carr D6/334
D. 252,489 7/1979 Petersille D6/361
D. 269,482 6/1983 Ungaro D6/361

1 Claim, 2 Drawing Sheets

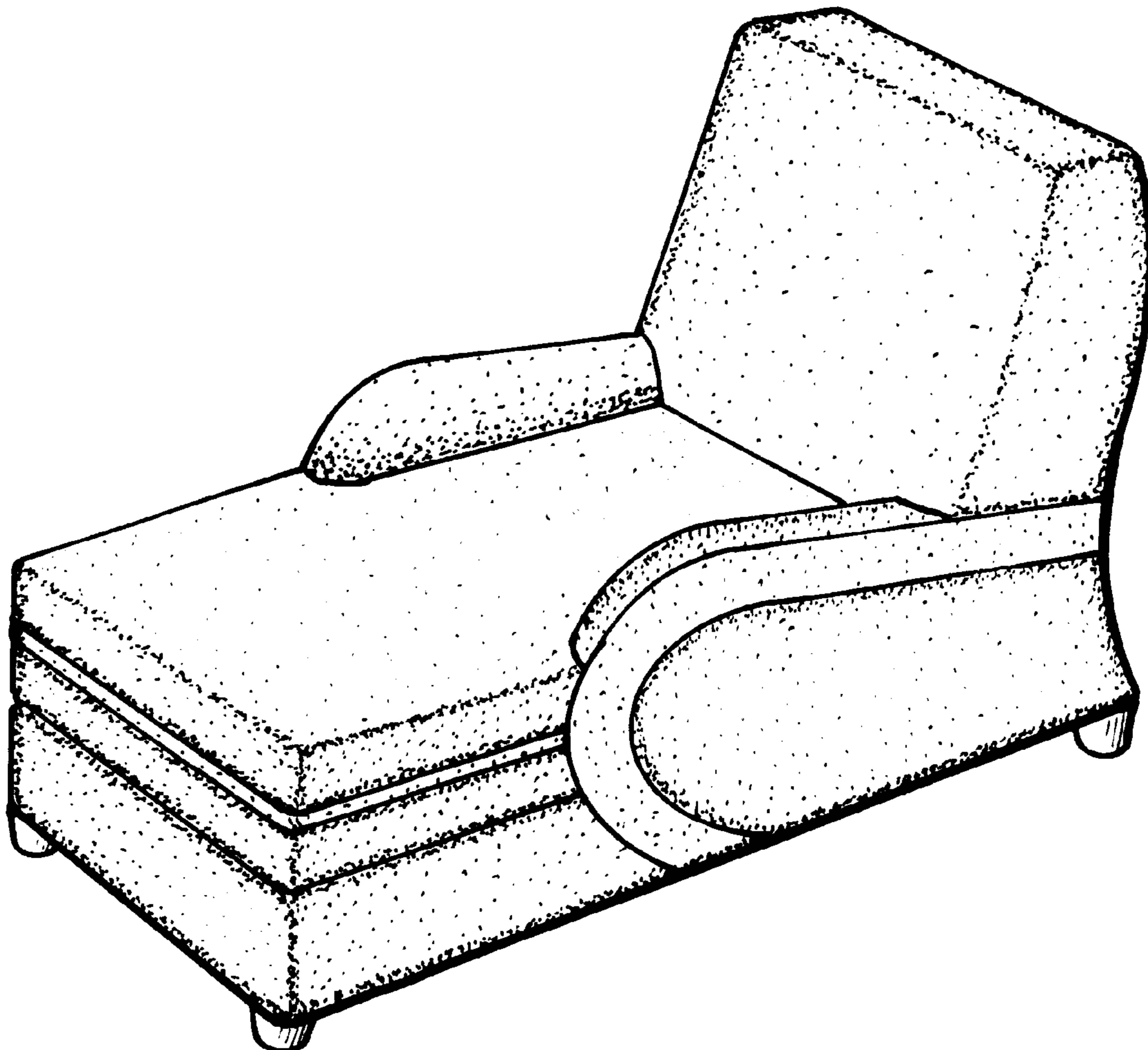


FIG. 1

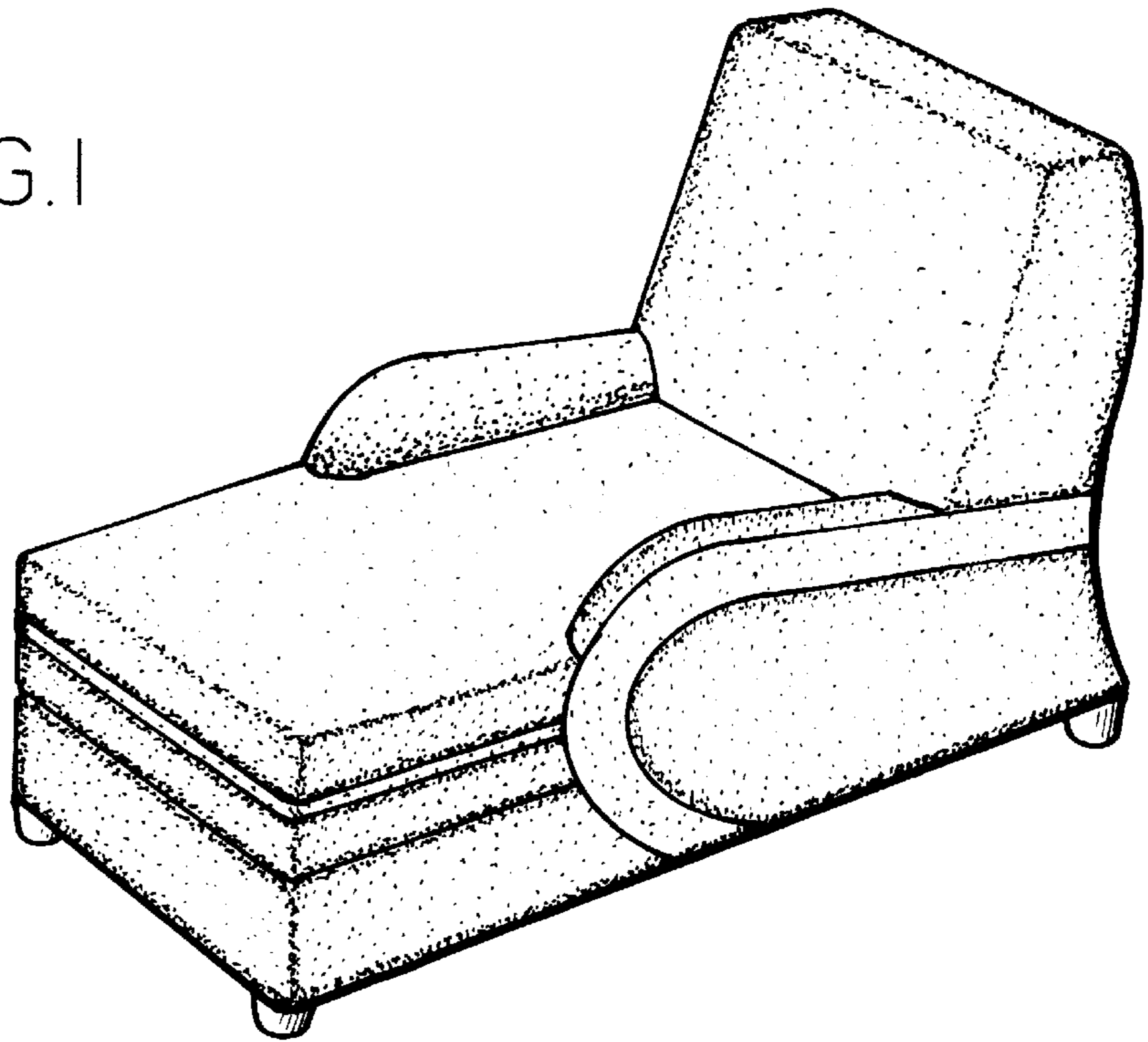


FIG. 2

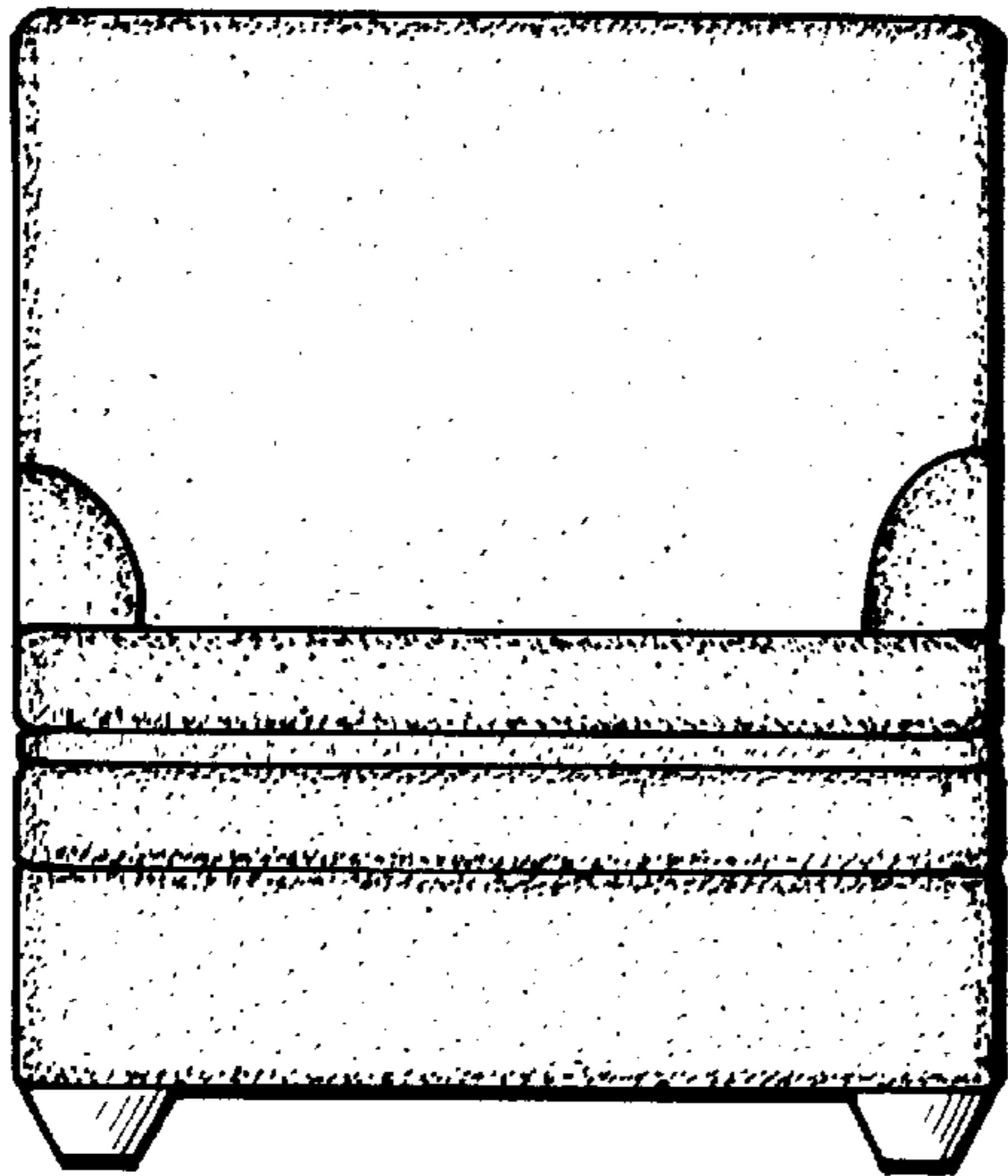


FIG. 3

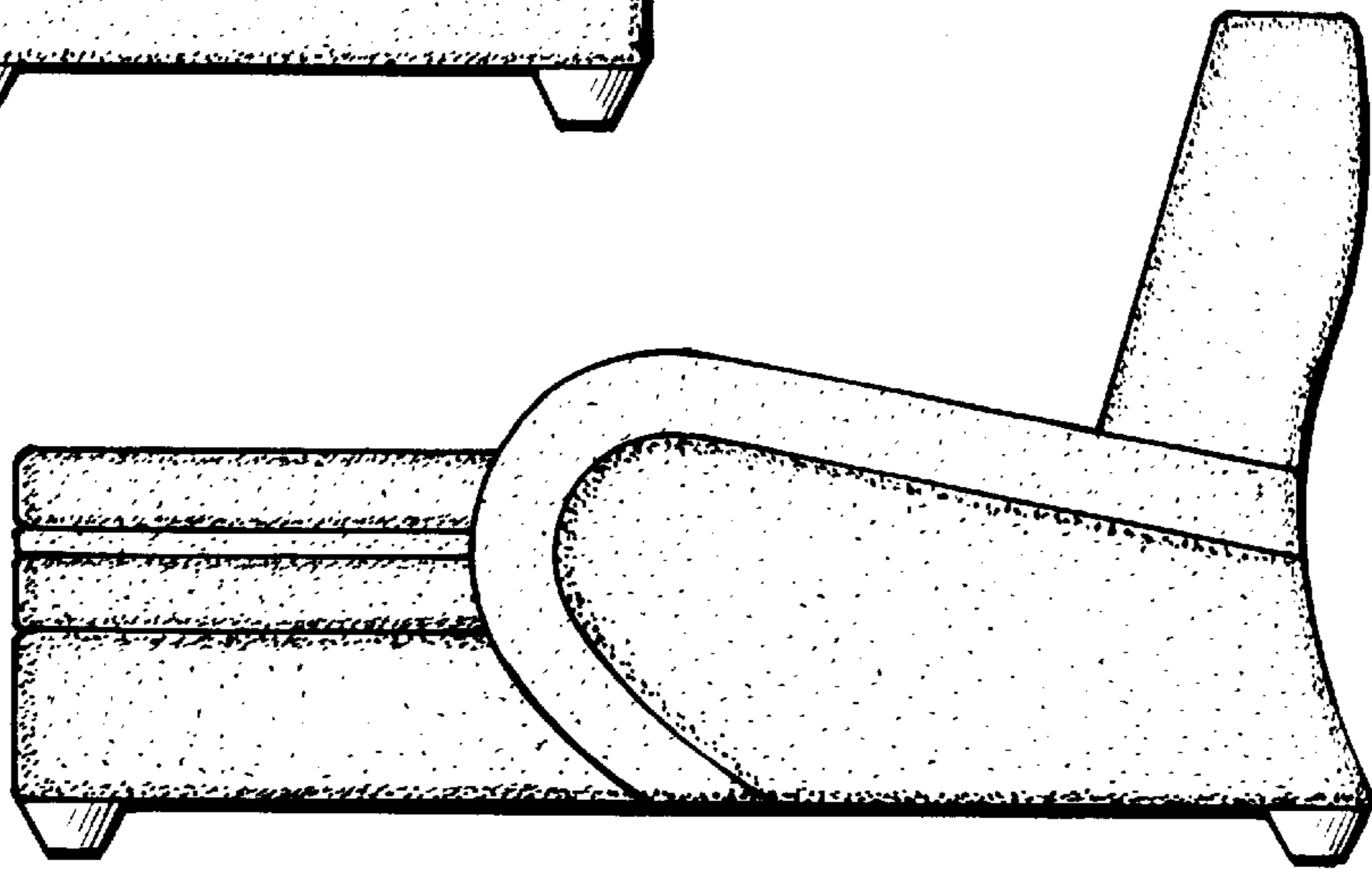


FIG. 4

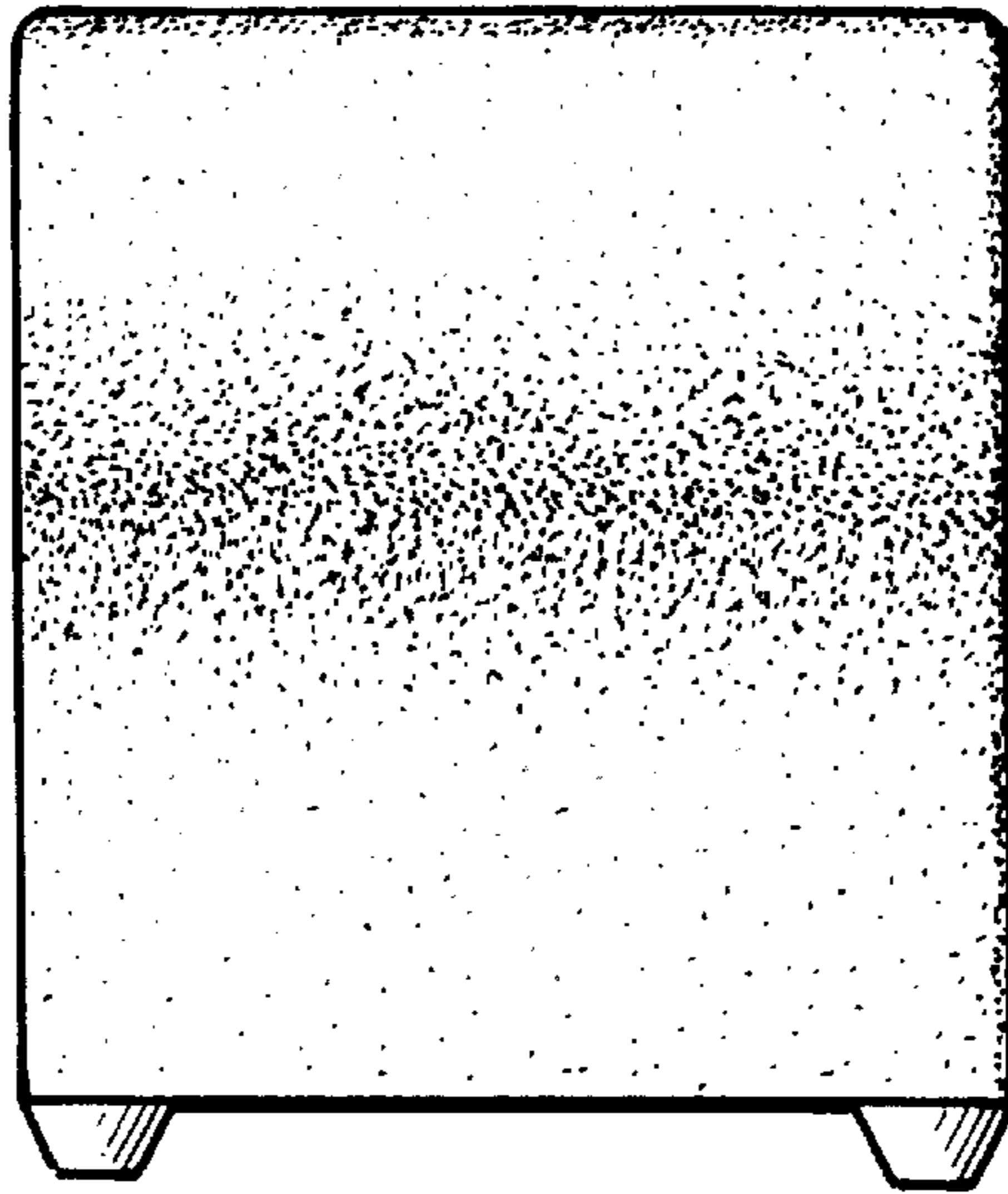


FIG. 5

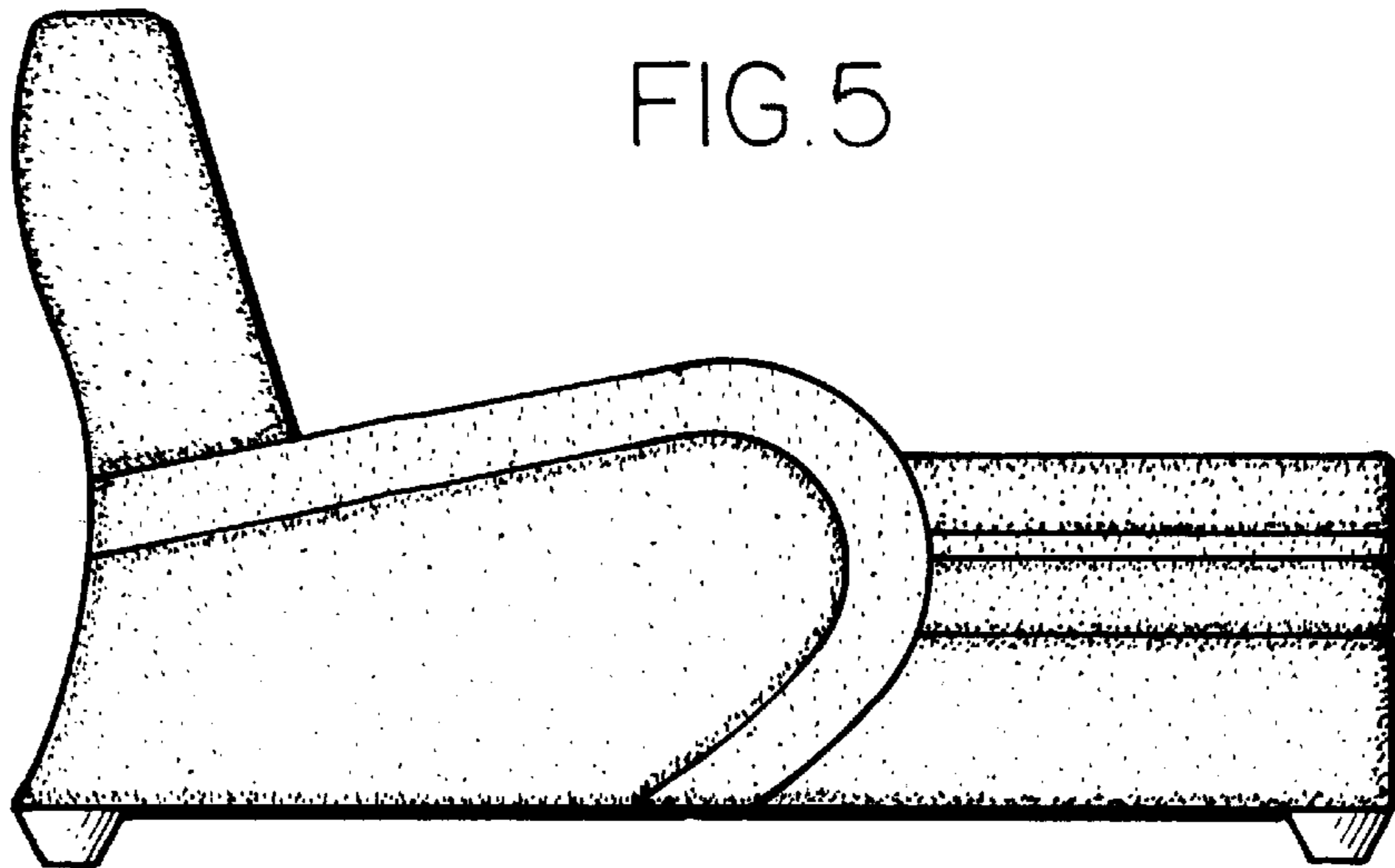


FIG. 6

