



US00D434234S

United States Patent [19]

Ferrentino

[11] Patent Number: Des. 434,234

[45] Date of Patent: ** Nov. 28, 2000

[54] COLLAPSIBLE CHAIR

[76] Inventor: Barbara Jeanne Ferrentino, 1110 Kip Pl., Lemont, Ill. 60439

[**] Term: 14 Years

[21] Appl. No.: 29/112,189

[22] Filed: Oct. 12, 1999

[51] LOC (7) Cl. 06-01

[52] U.S. Cl. D6/336

[58] Field of Search D6/334, 335, 336, D6/374, 368, 380, 500, 501, 502; 297/60, 188.08

[56] References Cited

U.S. PATENT DOCUMENTS

D. 68,208	9/1925	Gunlocke et al.	D6/380
D. 94,777	3/1935	Raventos	D6/380
D. 109,423	4/1938	Salomon	D6/380
D. 193,336	8/1962	Batie et al.	D6/368
D. 333,733	3/1993	Sammons	D6/336
D. 364,744	12/1995	Hutton	D6/368
2,633,183	3/1953	Norquist	297/60

2,633,901	4/1953	Norquist	297/60
2,697,481	12/1954	Zoercher	297/60
3,030,141	4/1962	Geller	297/60

Primary Examiner—Doris V. Coles
Assistant Examiner—Mimosa De
Attorney, Agent, or Firm—Goldstein & Canino

[57] CLAIM

The ornamental design for a collapsible chair, as shown and described.

DESCRIPTION

FIG. 1 is a perspective view of a collapsible chair showing my new design.
FIG. 2 is a perspective view of the collapsible chair in the collapsed position.
FIG. 3 is a front elevational view of the collapsible chair.
FIG. 4 is a rear elevational view thereof.
FIG. 5 is a left side elevational view thereof, the right side elevational view being a mirror image of the left side view.
FIG. 6 is a top plan view of the collapsible chair; and,
FIG. 7 is a bottom plan view thereof.

1 Claim, 3 Drawing Sheets

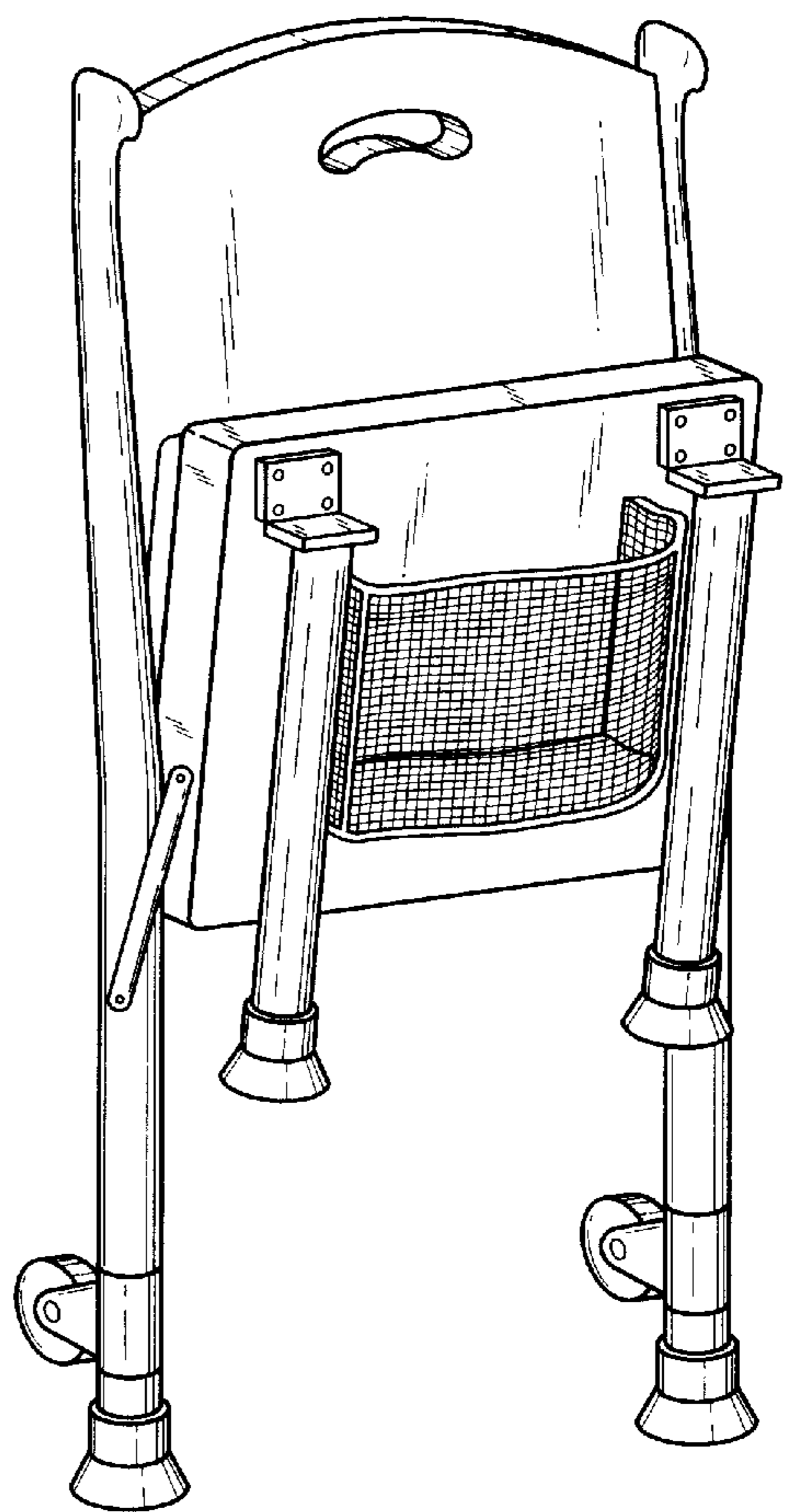
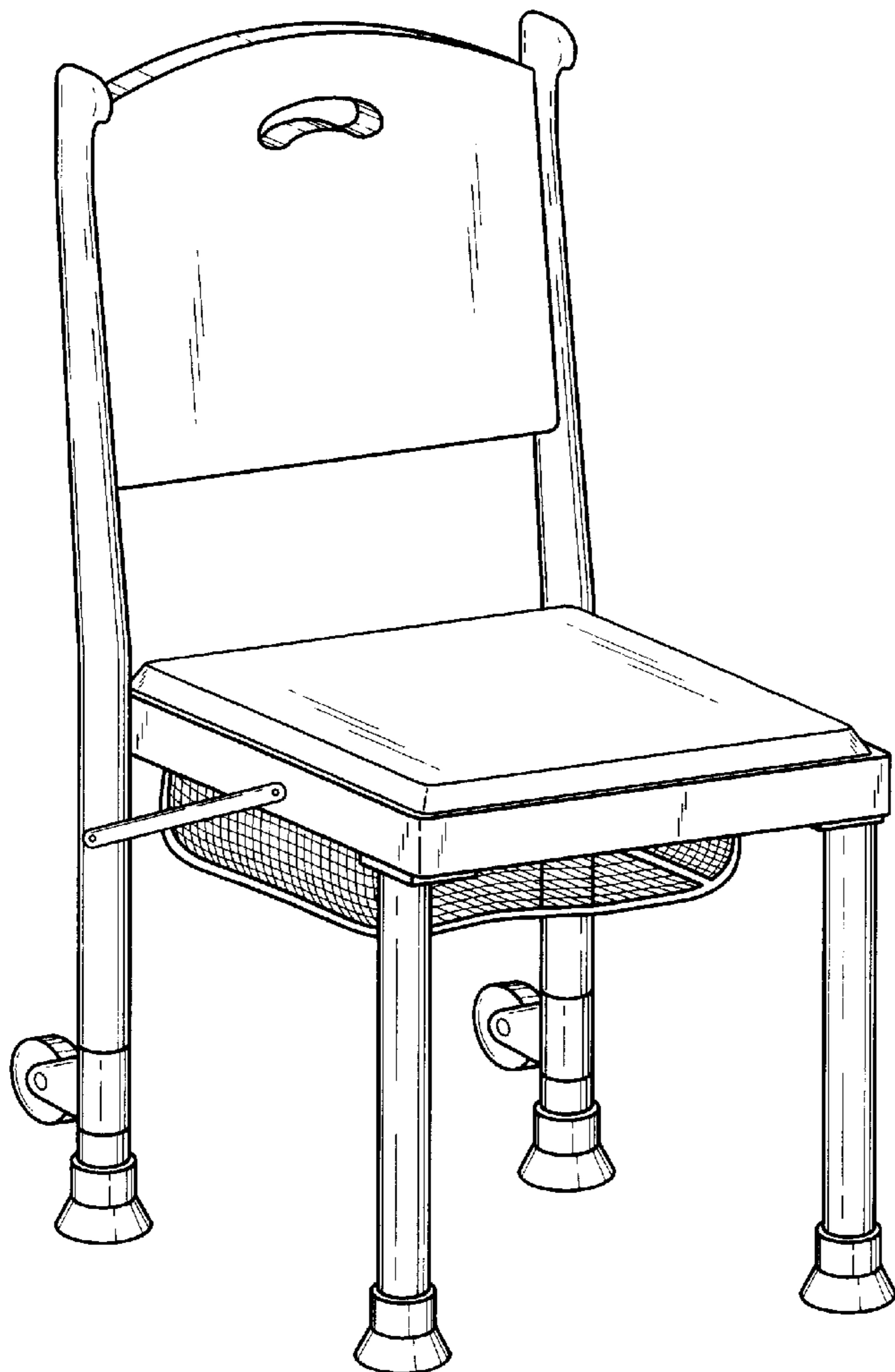


FIG. 2

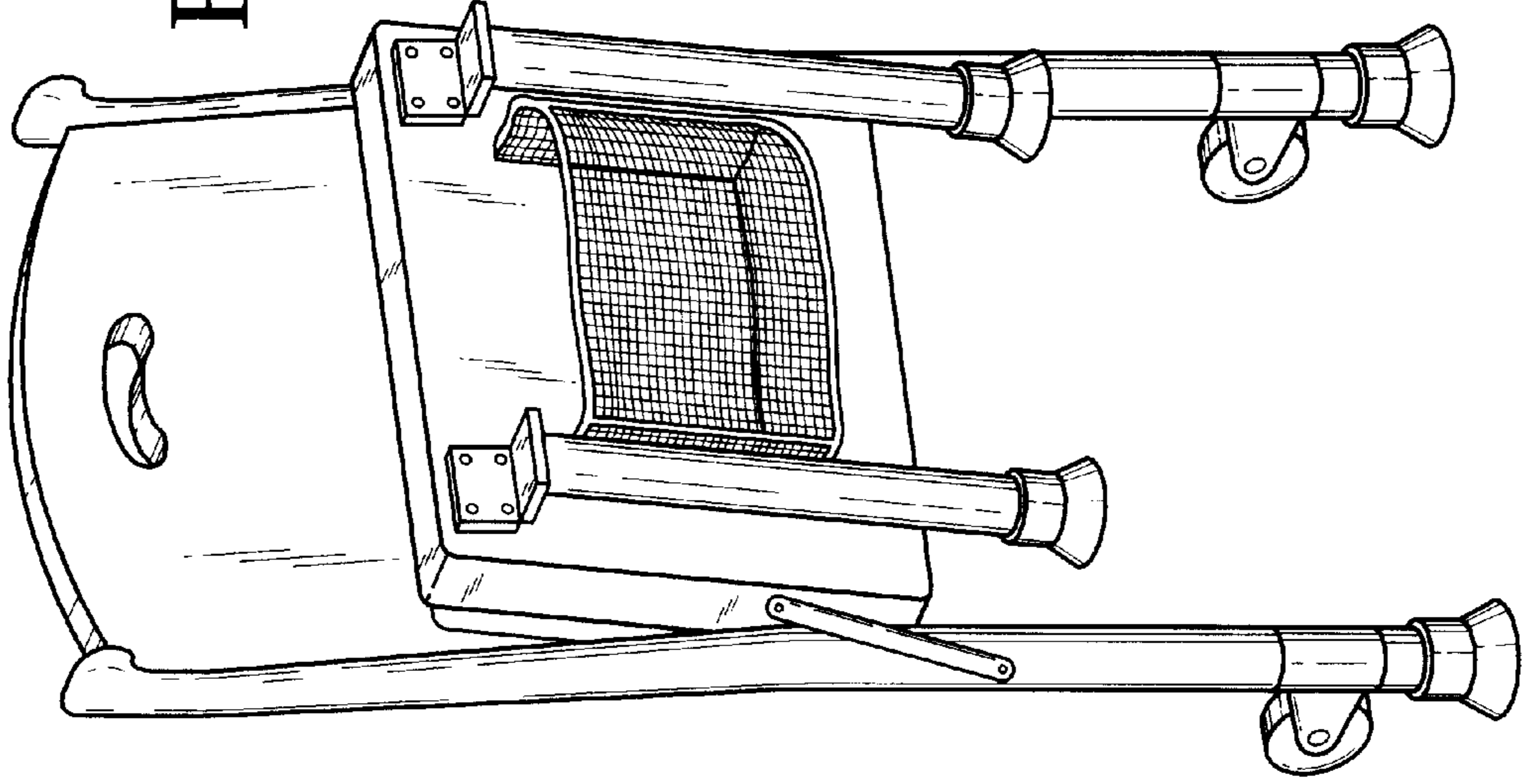
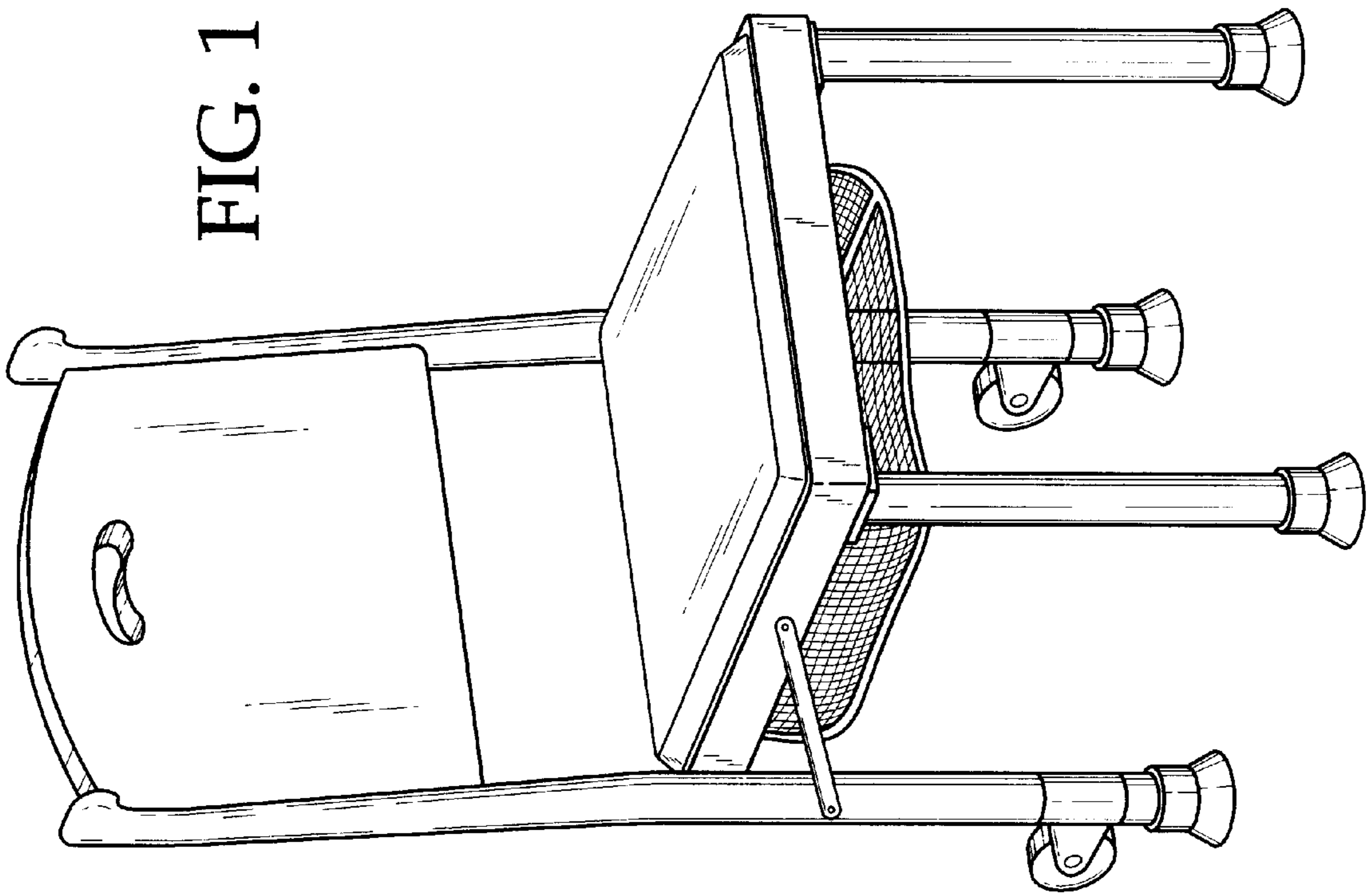


FIG. 1



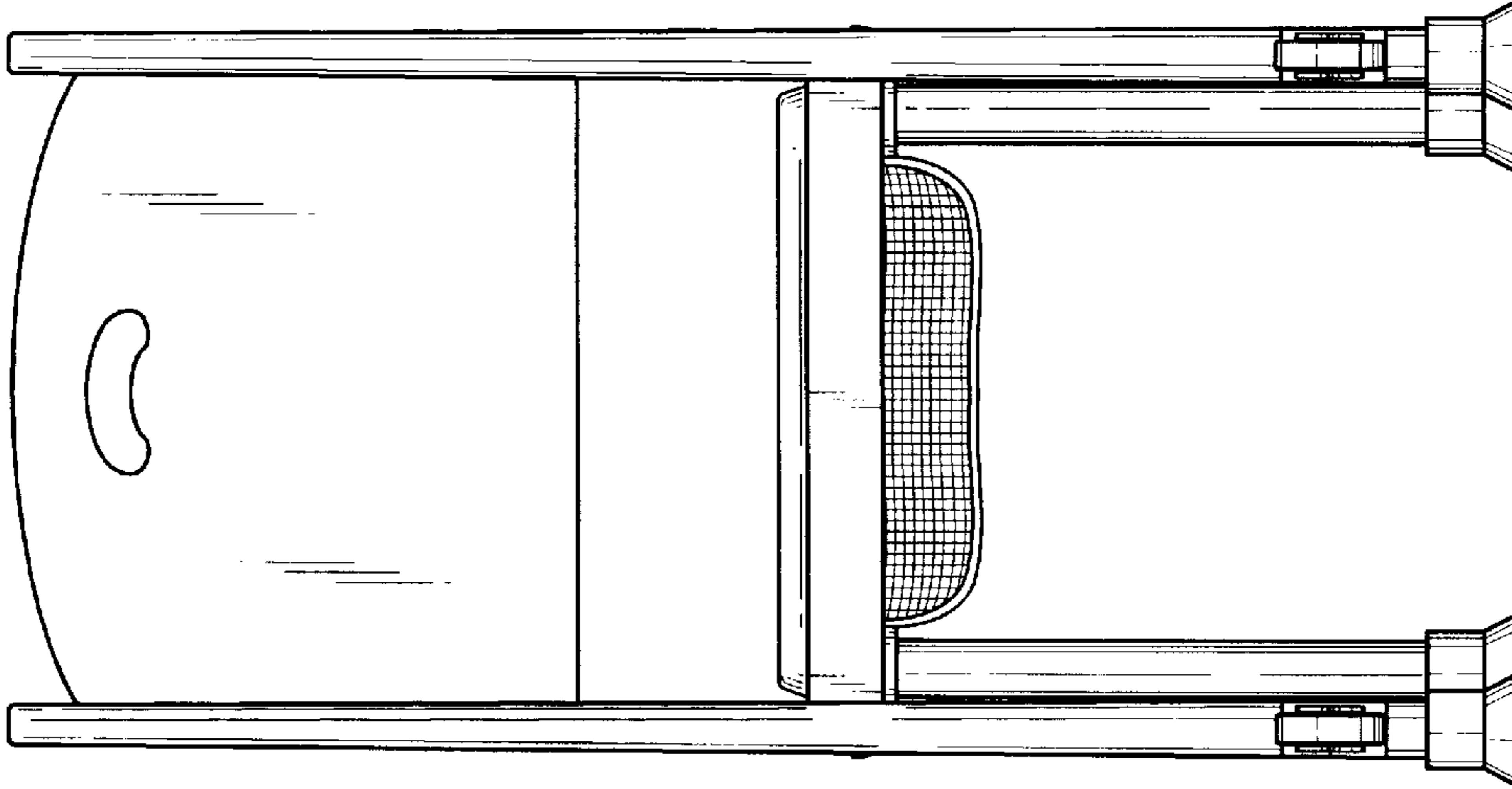


FIG. 4

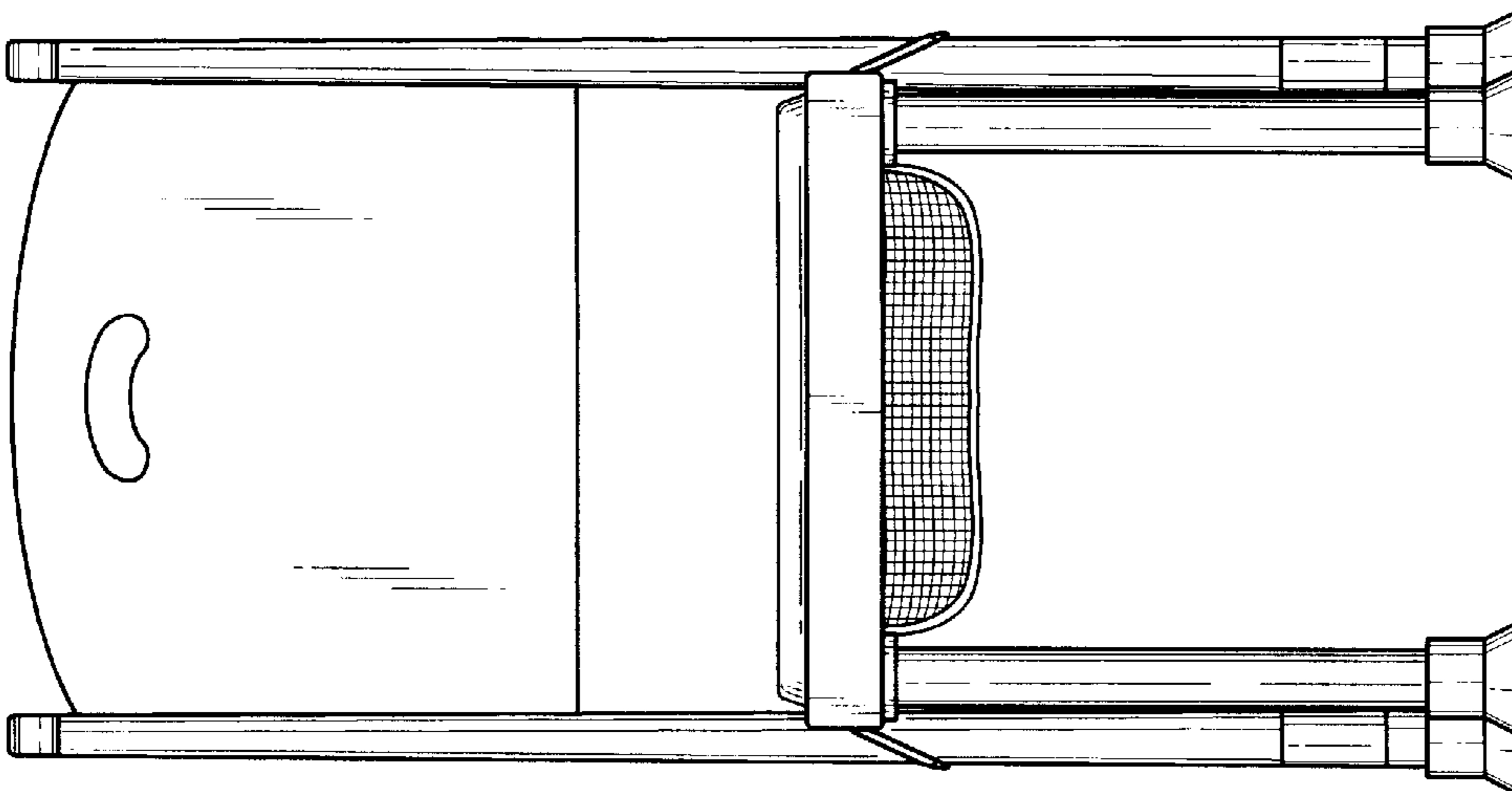


FIG. 3

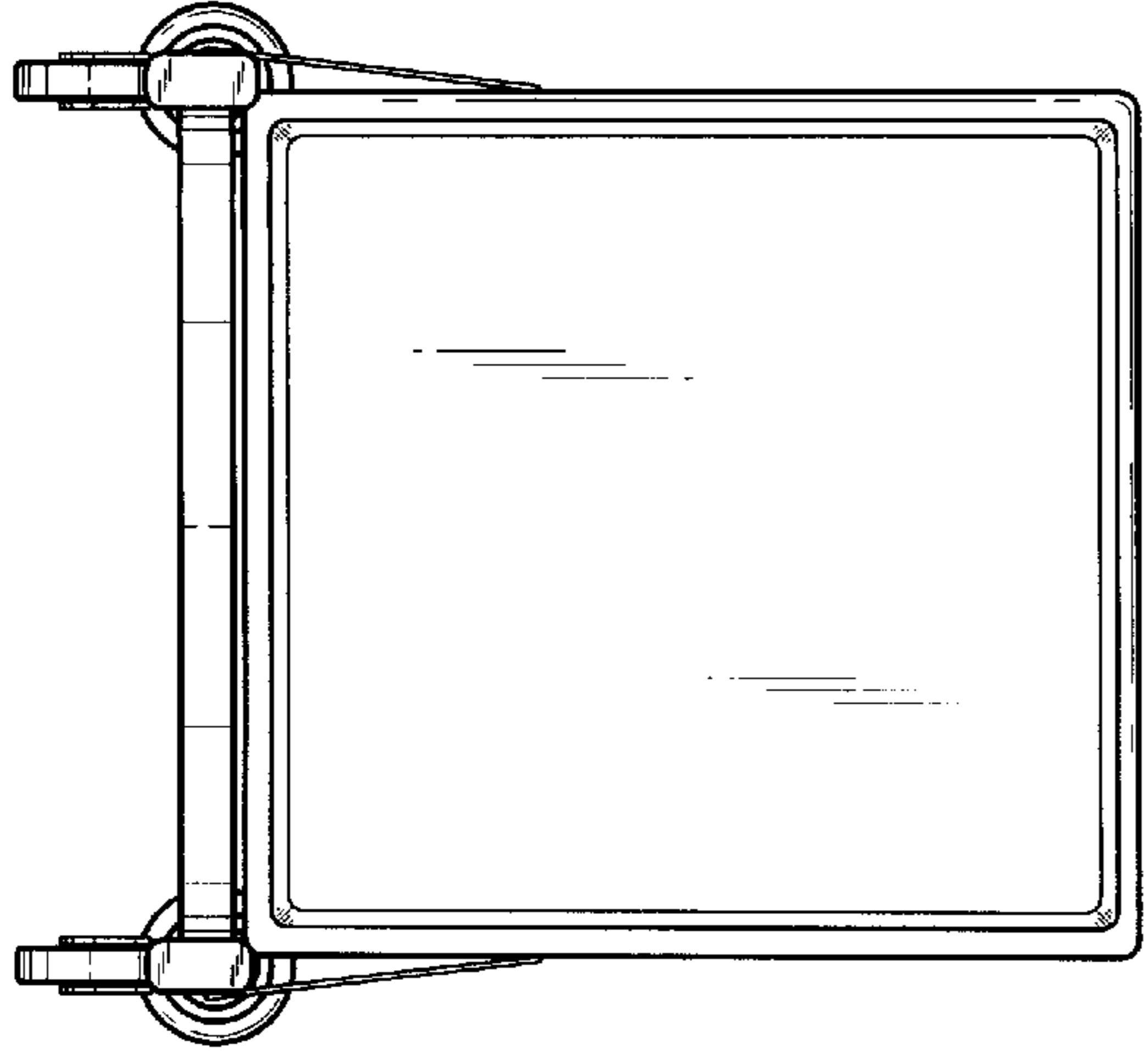


FIG. 6

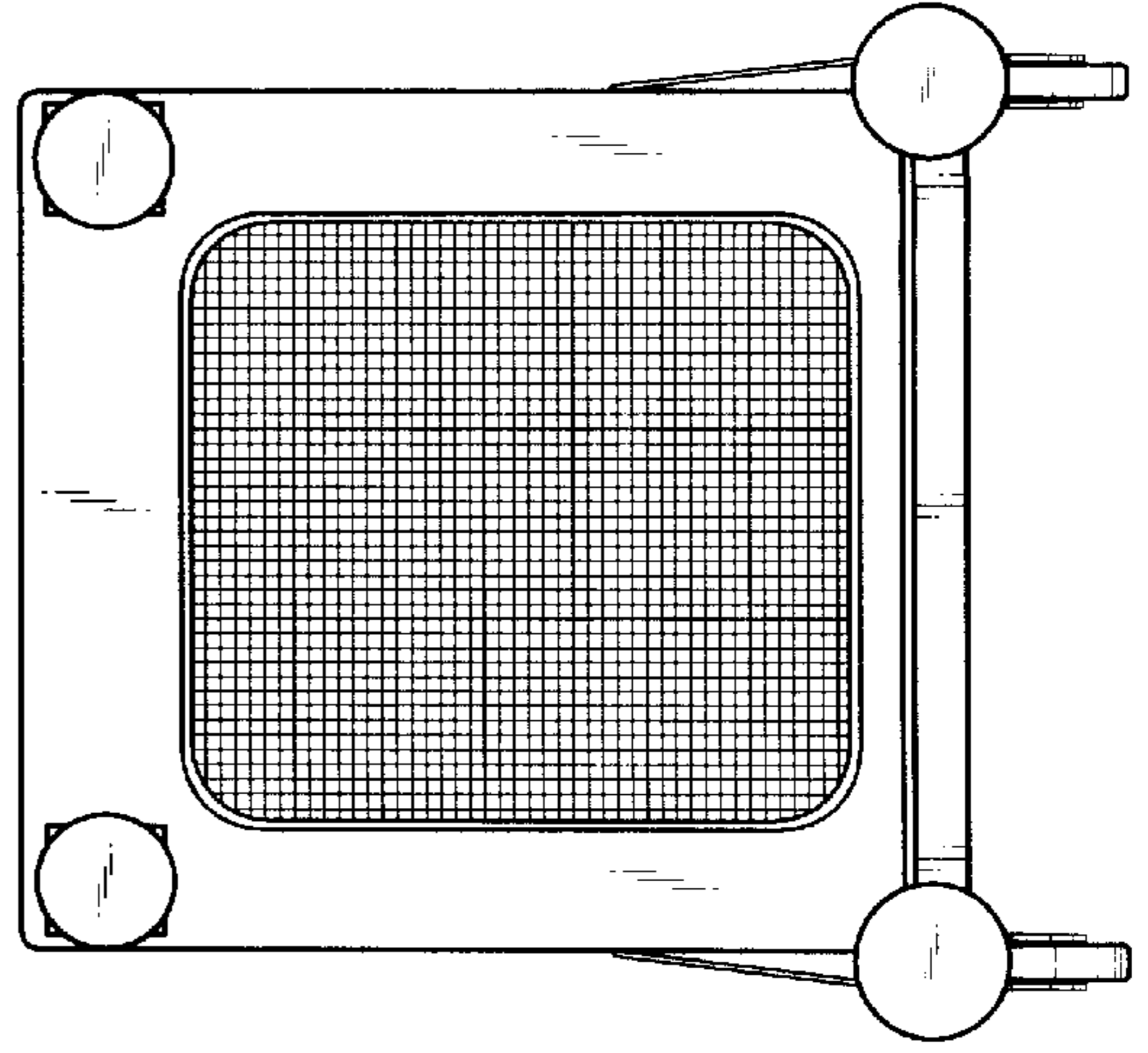


FIG. 7

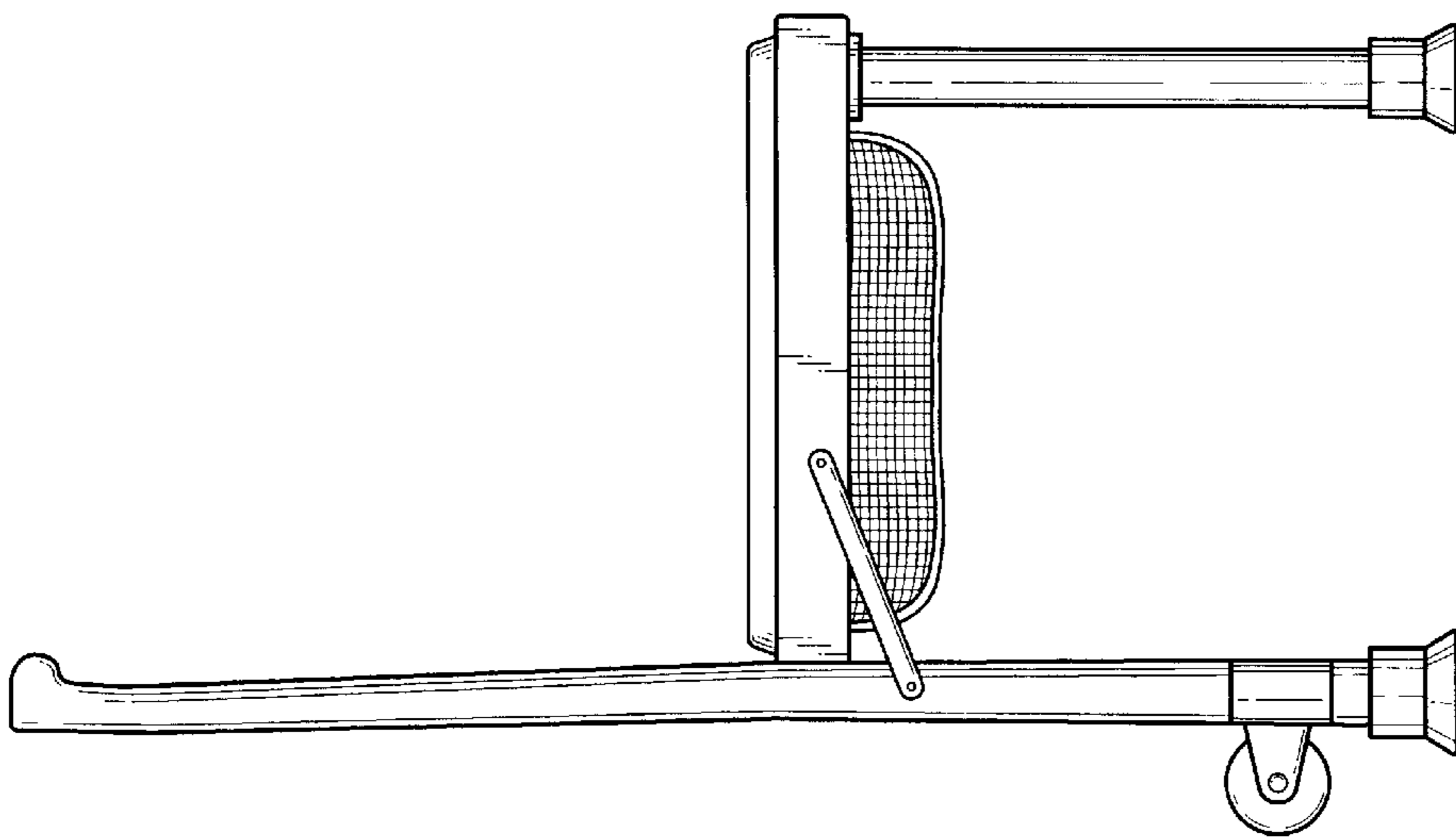


FIG. 5