



US00D434222S

United States Patent [19]
Shih

[11] **Patent Number: Des. 434,222**

[45] **Date of Patent: ** Nov. 28, 2000**

[54] **TOOL BOX**

[75] Inventor: **Tsai-Chien Shih**, Taipei, Taiwan

[73] Assignee: **Universal Hardware Corporation**,
Taipei, Taiwan

[**] Term: **14 Years**

[21] Appl. No.: **29/116,514**

[22] Filed: **Dec. 30, 1999**

[51] **LOC (7) Cl.** **03-01**

[52] **U.S. Cl.** **D3/271; D3/905**

[58] **Field of Search** D3/269, 270, 271,
D3/905, 294, 276, 282; D9/308; D21/483,
548; 206/457, 349, 372, 373; D7/613

[56] **References Cited**

U.S. PATENT DOCUMENTS

D. 214,262 5/1969 Paige D9/308
D. 369,023 4/1996 Cheng D3/271

D. 386,399 11/1997 Stokely et al. D9/308
D. 397,868 9/1998 Huang D21/548
D. 410,776 6/1999 Aganian D3/271

Primary Examiner—Raphael Barkai
Attorney, Agent, or Firm—A & J

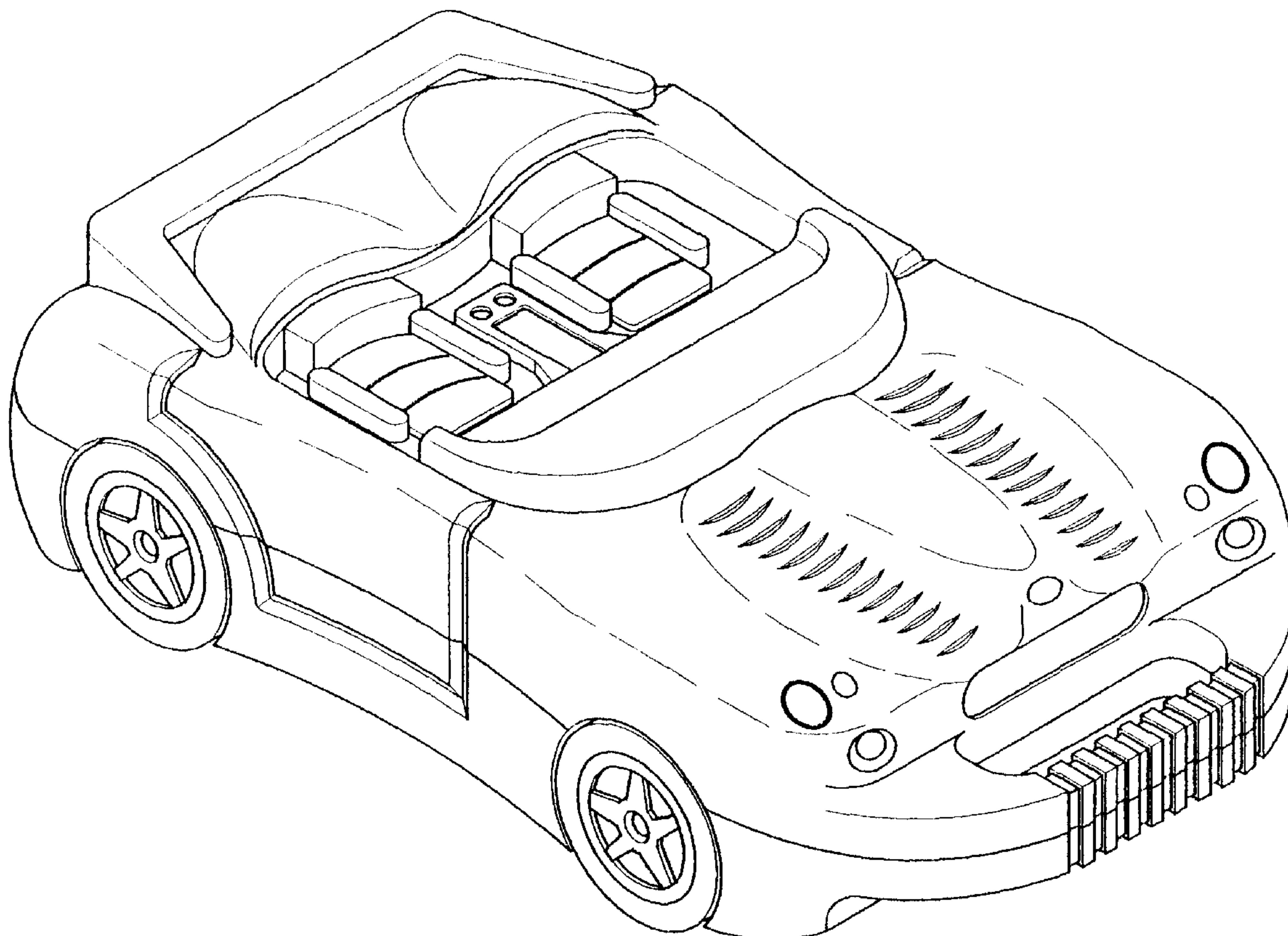
[57] **CLAIM**

The ornamental design for a tool box, as shown and described.

DESCRIPTION

FIG. 1 is a perspective view of a tool box showing my new design;
FIG. 2 is a front side elevational view thereof;
FIG. 3 is a rear side elevational view thereof;
FIG. 4 is a left view thereof;
FIG. 5 is a right view thereof;
FIG. 6 is a top plan view thereof; and,
FIG. 7 is a bottom plan view thereof.

1 Claim, 6 Drawing Sheets



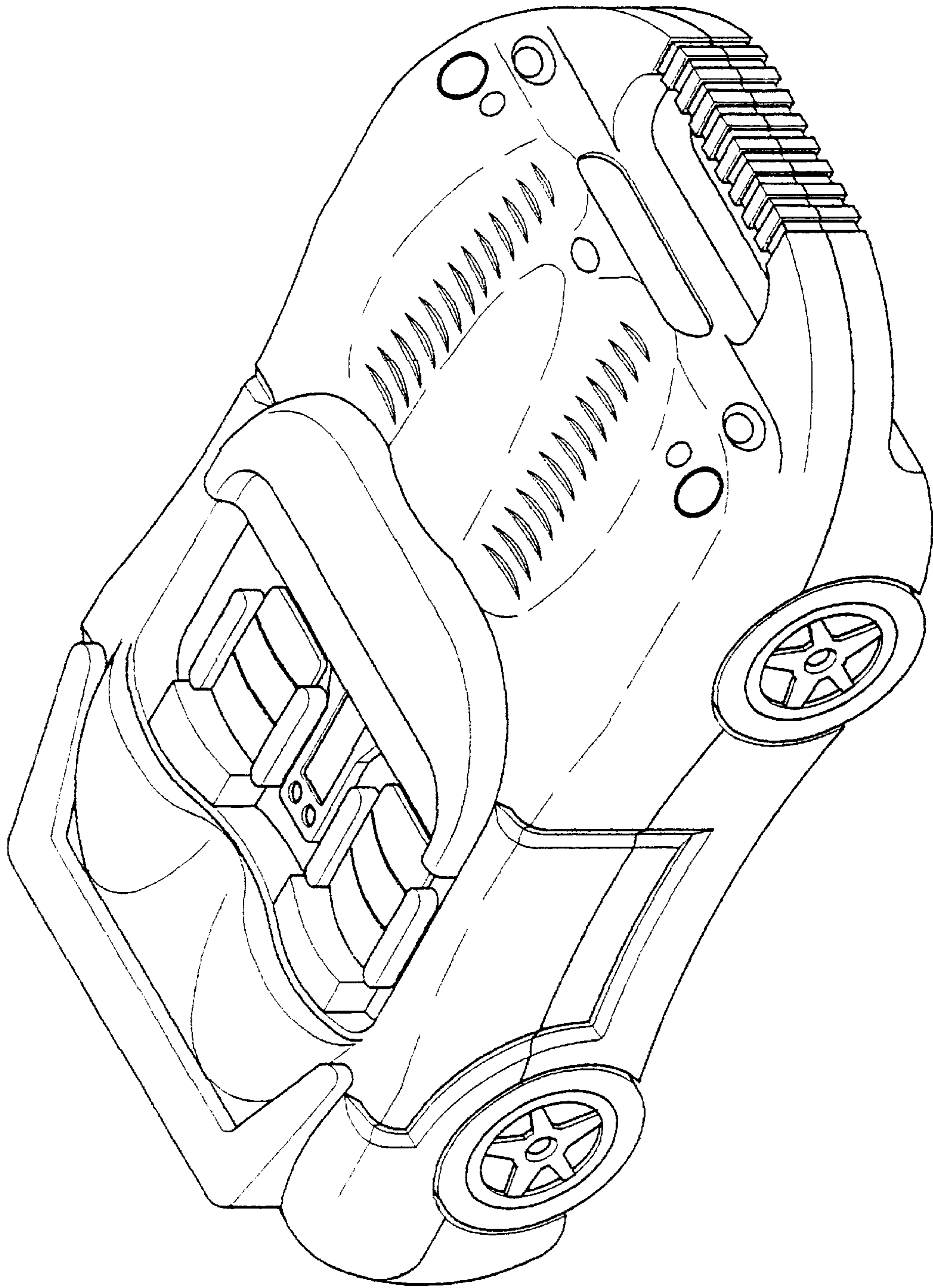


FIG. 1

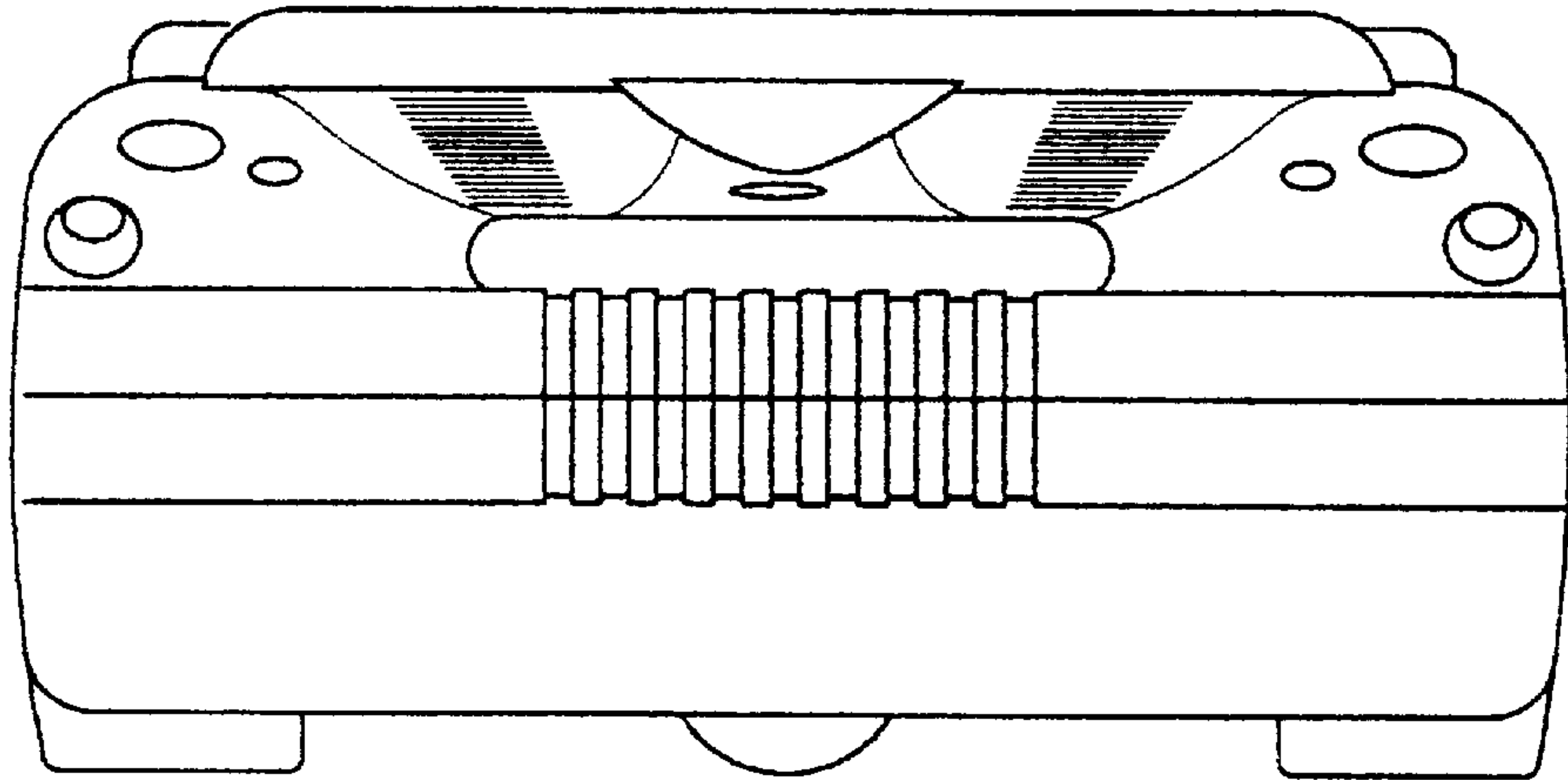


FIG. 2

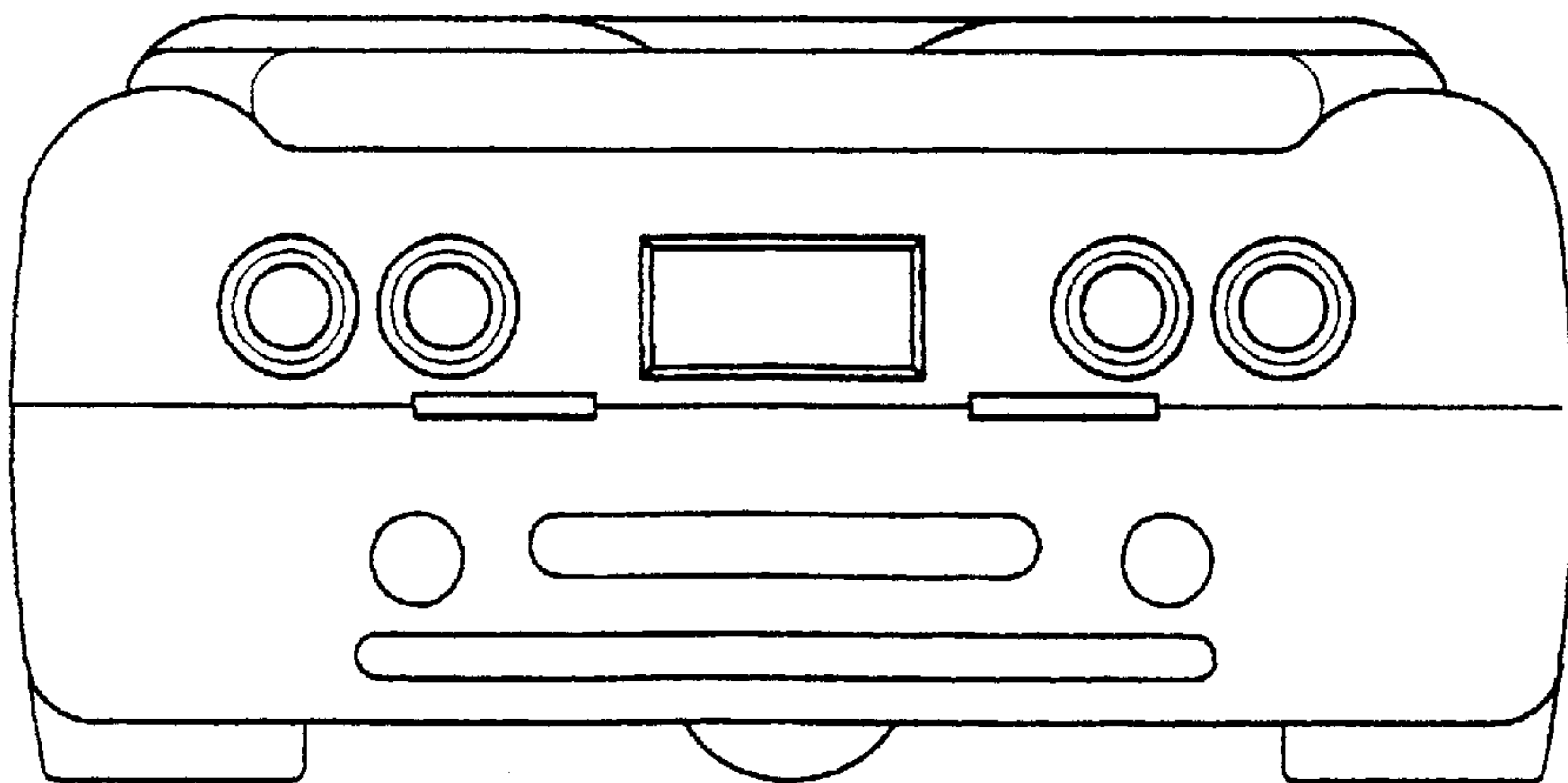


FIG. 3

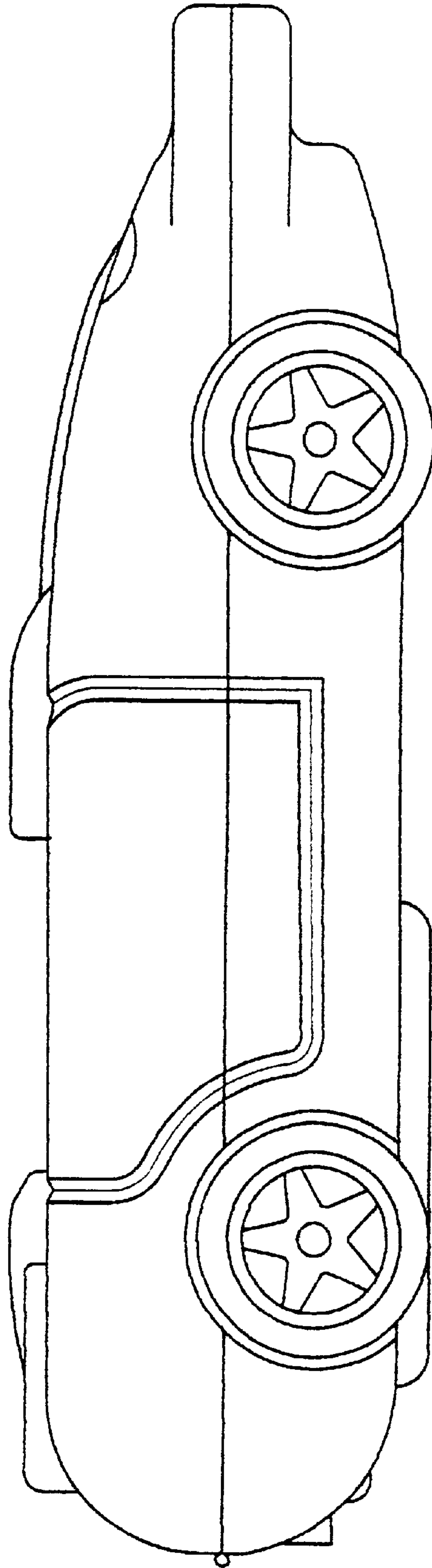


FIG. 4

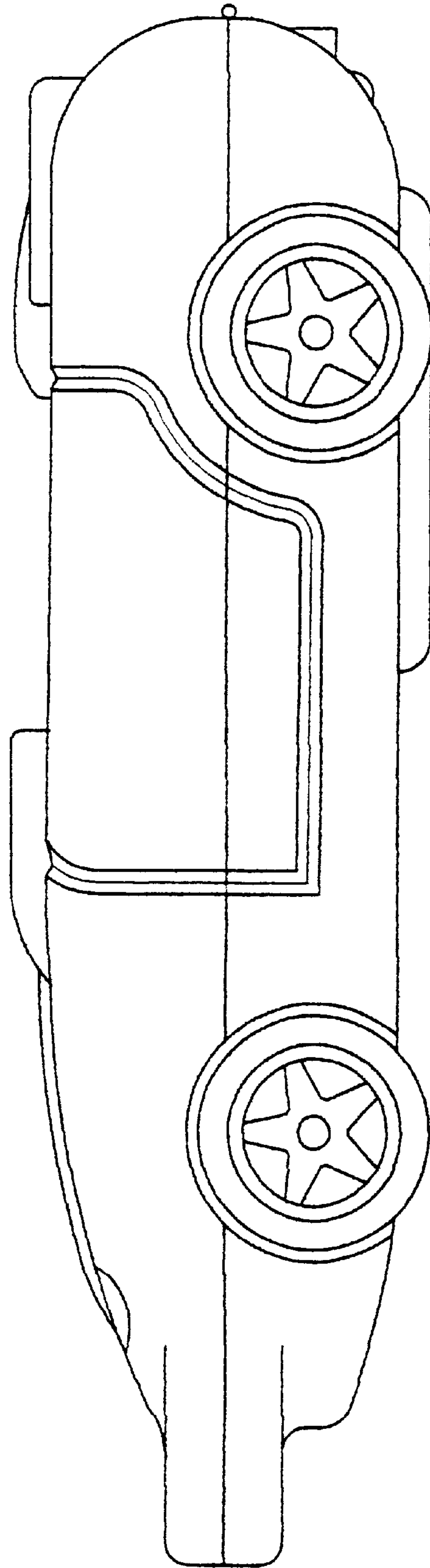


FIG. 5

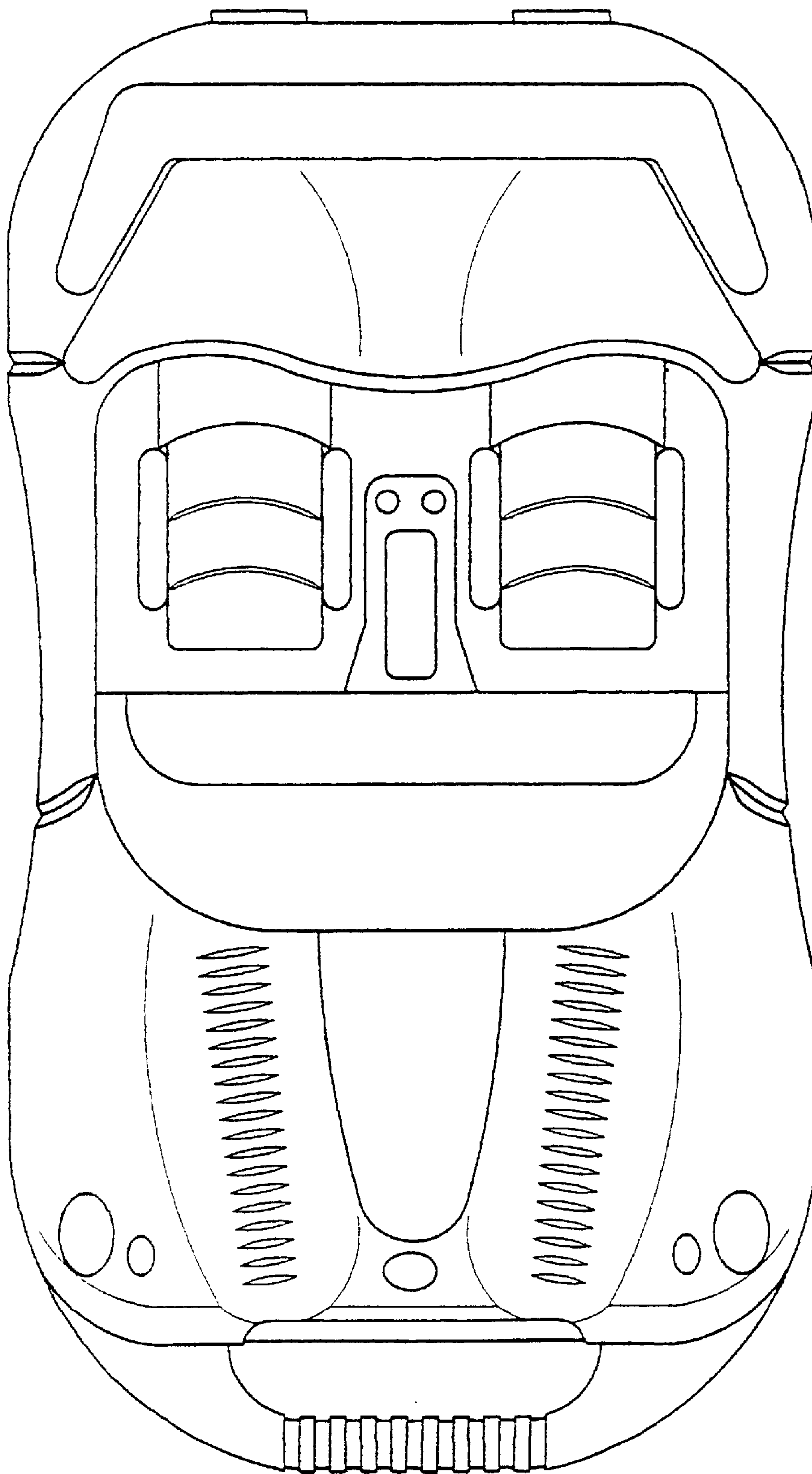


FIG. 6

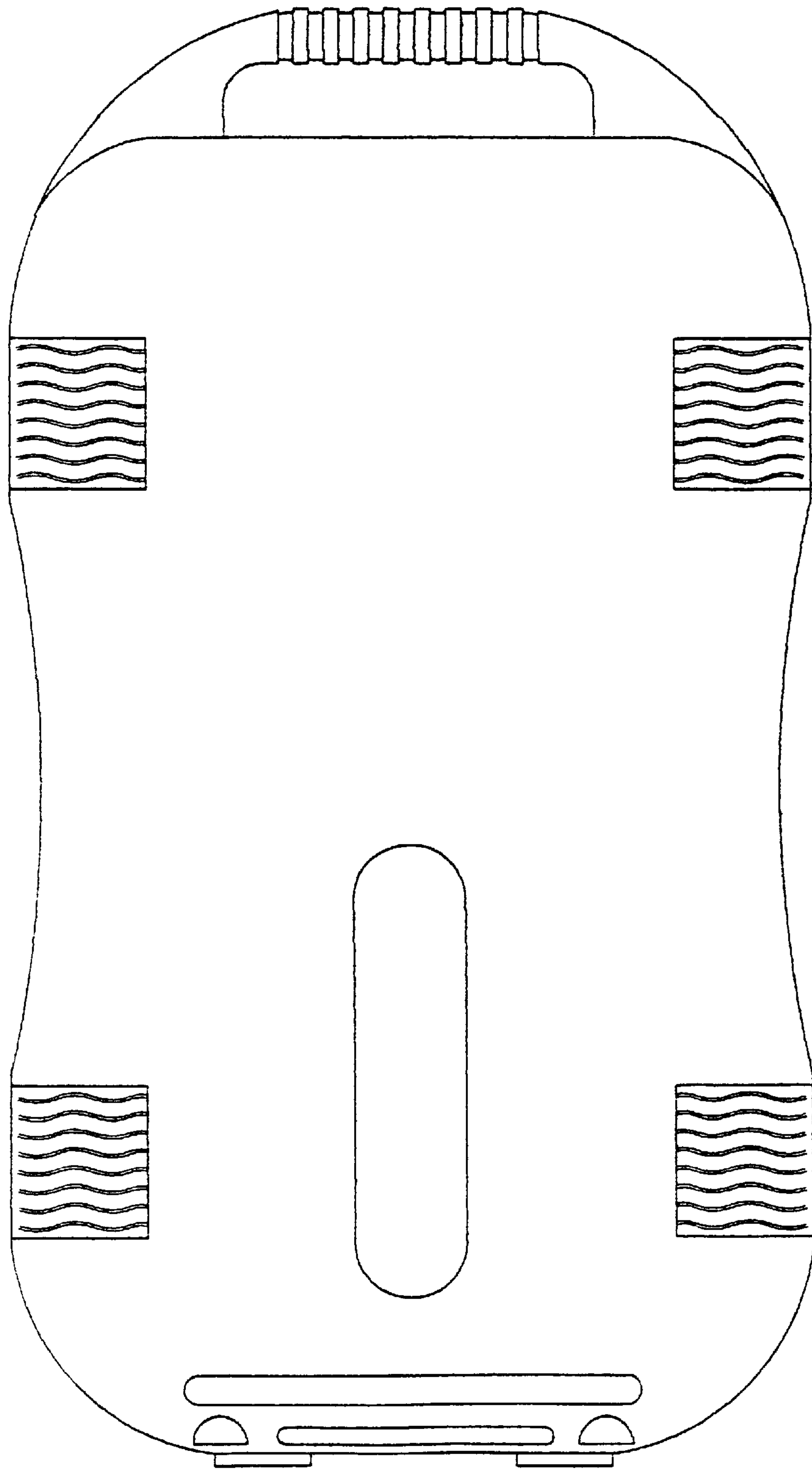


FIG. 7