



US00D434217S

United States Patent [19]

Packard et al.

[11] Patent Number: Des. 434,217

[45] Date of Patent: ** Nov. 28, 2000

[54] RECEPTACLE

5,806,678 9/1998 Hakansson 206/438

[75] Inventors: Joy A. Packard, Somerset, Wis.; Liana V. Palaikis, Woodbury; Paul A. Martinson, Maplewood, both of Minn.

Primary Examiner—Louis S. Zarfes
Assistant Examiner—Catherine R. Oliver
Attorney, Agent, or Firm—Karl G. Hanson

[73] Assignee: 3M Innovative Properties Company, St. Paul, Minn.

[57] CLAIM

[**] Term: 14 Years

The ornamental design for a receptacle, as shown and described.

[21] Appl. No.: 29/114,353

[22] Filed: Nov. 22, 1999

DESCRIPTION

[51] LOC (7) Cl. 03-01

[52] U.S. Cl. D3/215

[58] Field of Search D3/215, 201, 203, D3/205, 218, 225, 230, 266; D27/172, 186, 188, 189; 206/438, 37, 262, 249, 250; D28/66; 225/44, 46, 51; D19/67, 68, 69, 86

FIG. 1 is an upper perspective view of the receptacle, showing the new design.

FIG. 2 is a lower perspective view thereof.

FIG. 3 is a front elevational view thereof.

FIG. 4 is a left side elevational view thereof.

FIG. 5 is a right side elevational view thereof.

FIG. 6 is a bottom plan view thereof.

FIG. 7 is a rear elevational view thereof;and,

FIG. 8 is a front elevational view thereof, showing the top of the receptacle in an opened position. The top of the receptacle may move from a closed position, as shown in FIGS. 1–5, to an opened position of which FIG. 8 is one example.

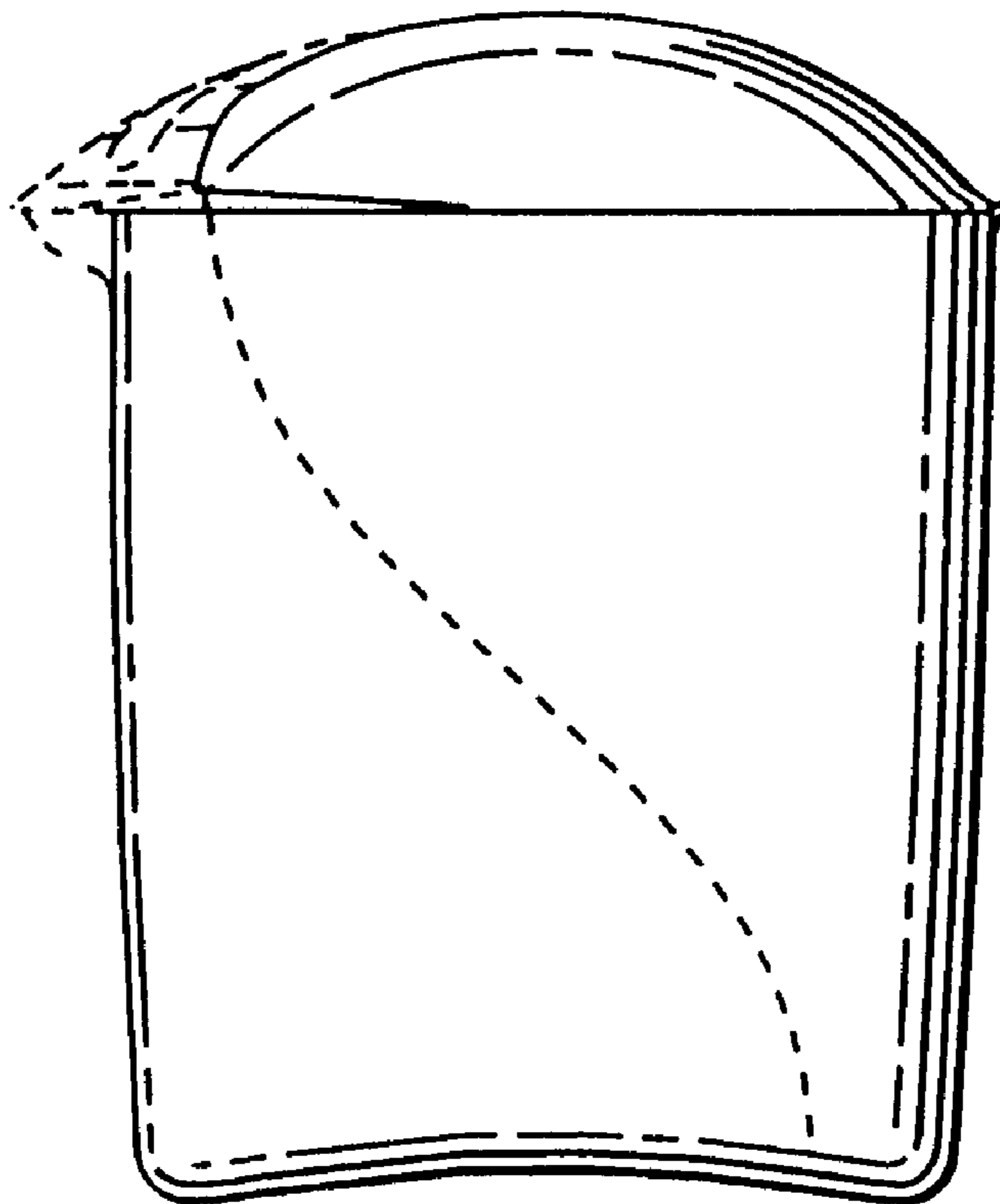
The broken lines shown in the drawings are for illustrative purposes only and form no part of the claimed design. The shading shown in the drawing is only provided to illustrate the contour of the article; it is not indicative of any particular texture.

[56] References Cited

U.S. PATENT DOCUMENTS

D. 389,514	1/1998	Bedol	D19/86
D. 400,009	10/1998	Conway	D3/265
D. 409,374	5/1999	Laba et al.	D3/215
D. 410,764	6/1999	Wilson	D27/172
D. 414,892	10/1999	Chen	D27/188
1,587,468	6/1926	Burkey et al.	206/37
4,071,065	1/1978	Halbich	206/37

1 Claim, 1 Drawing Sheet



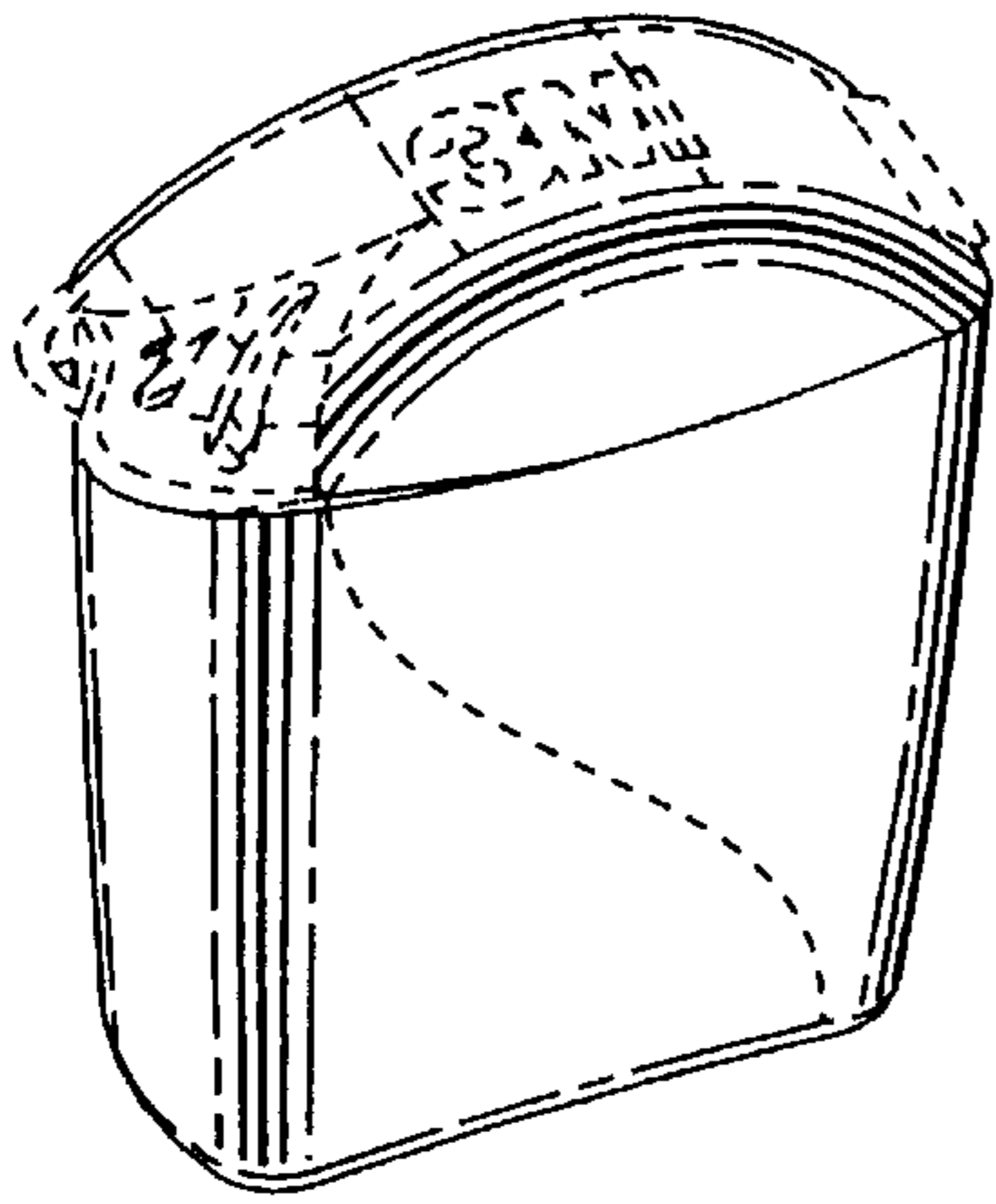


Fig. 1

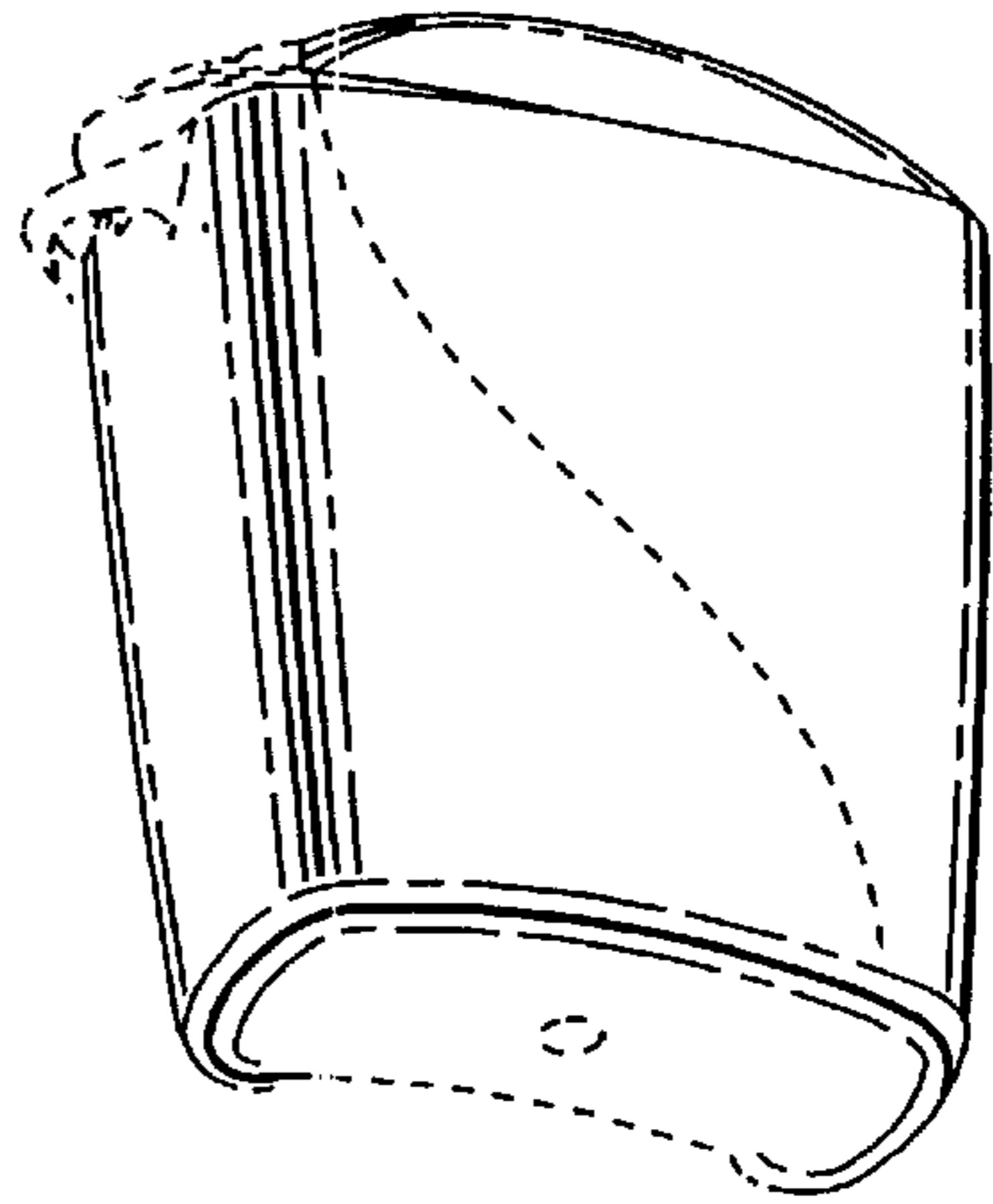


Fig. 2

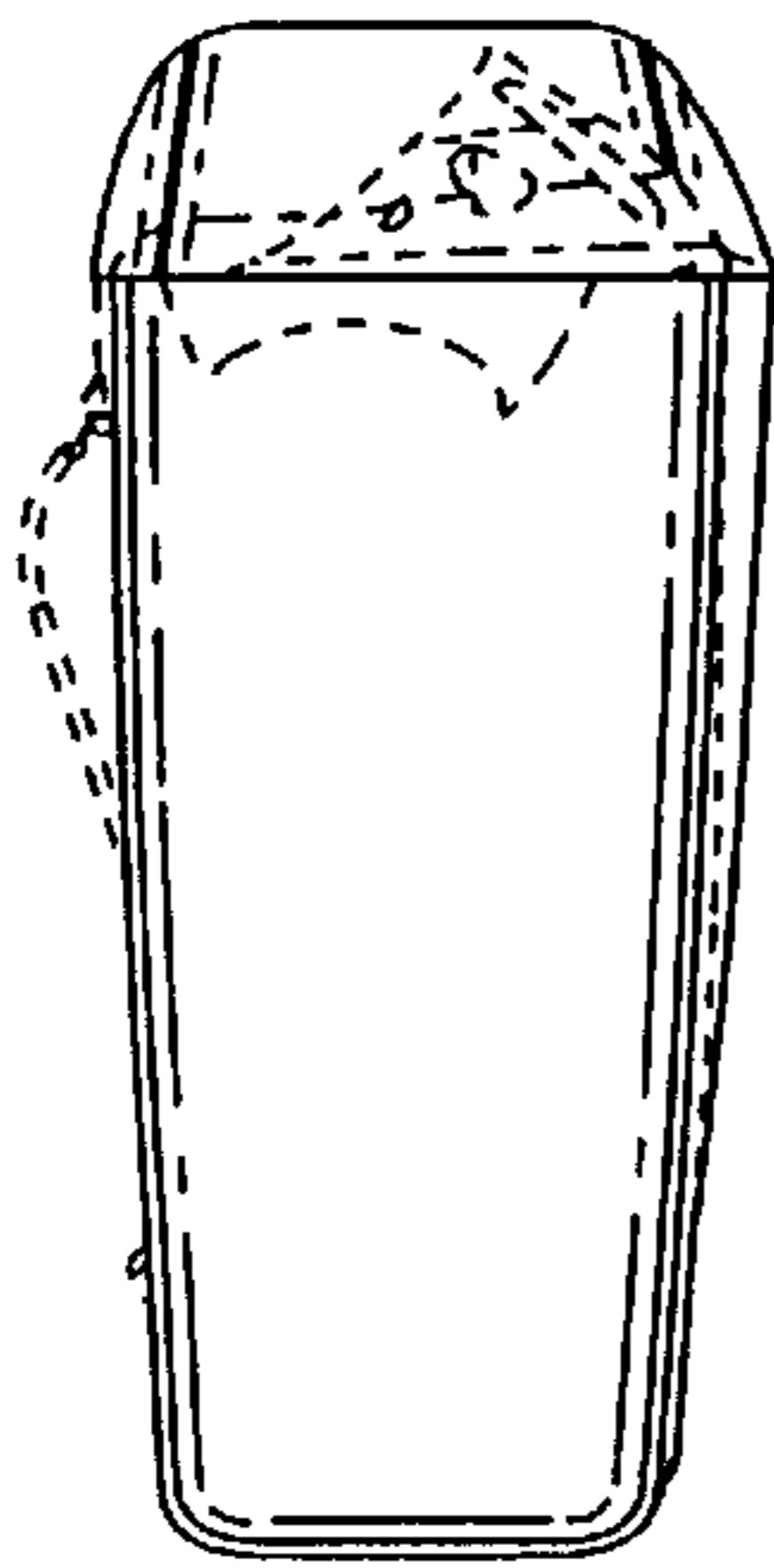


Fig. 4

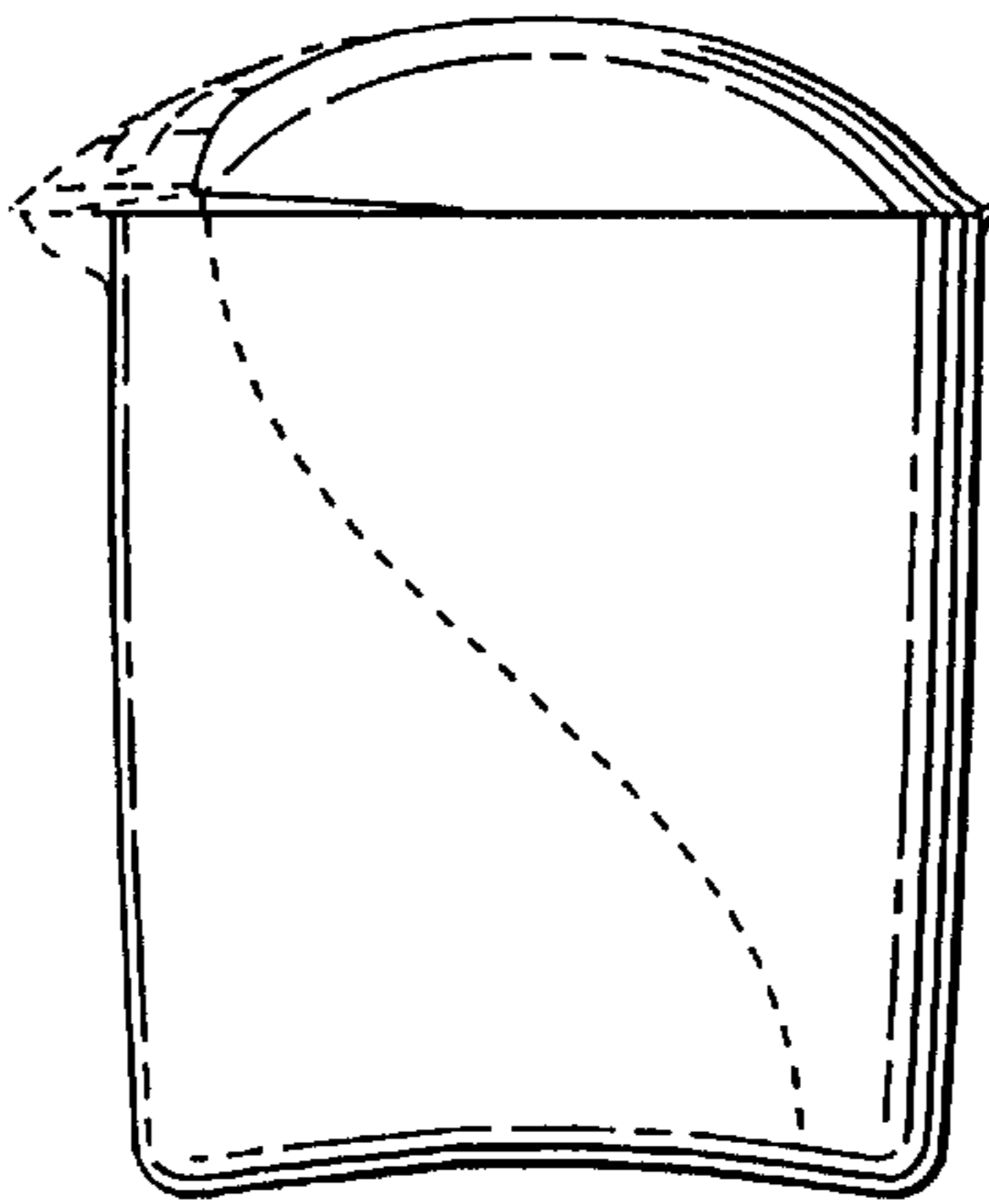


Fig. 3

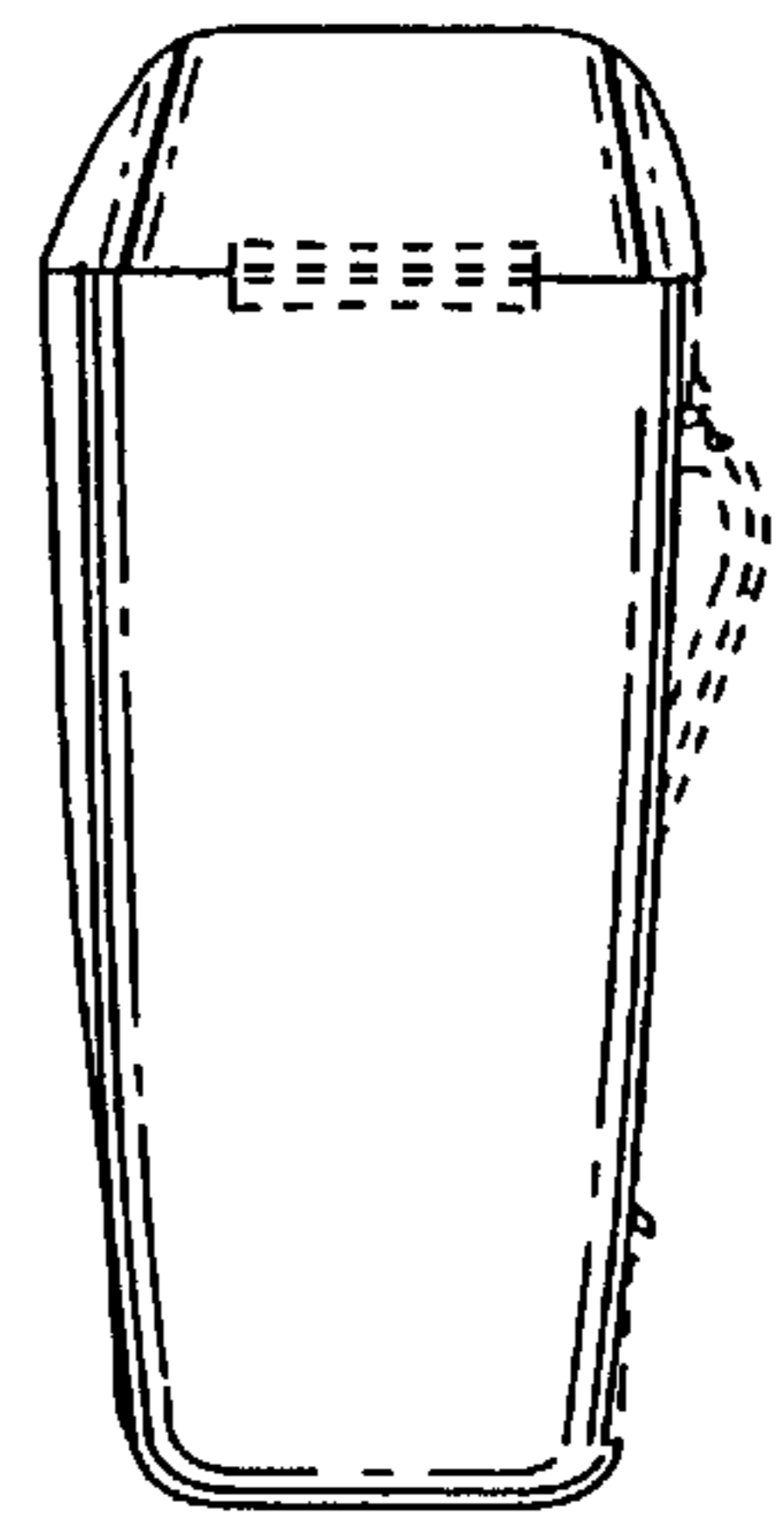


Fig. 5

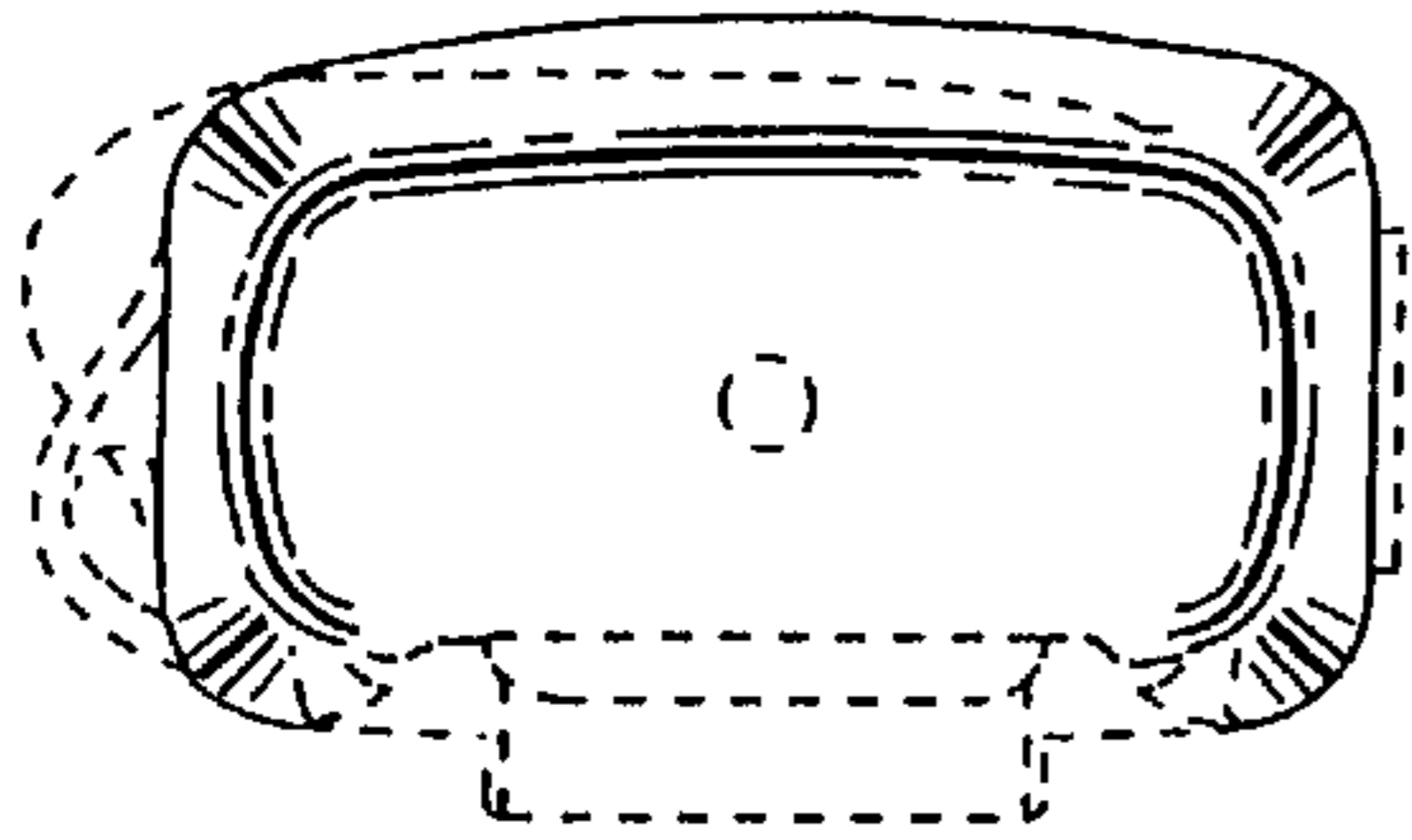


Fig. 6

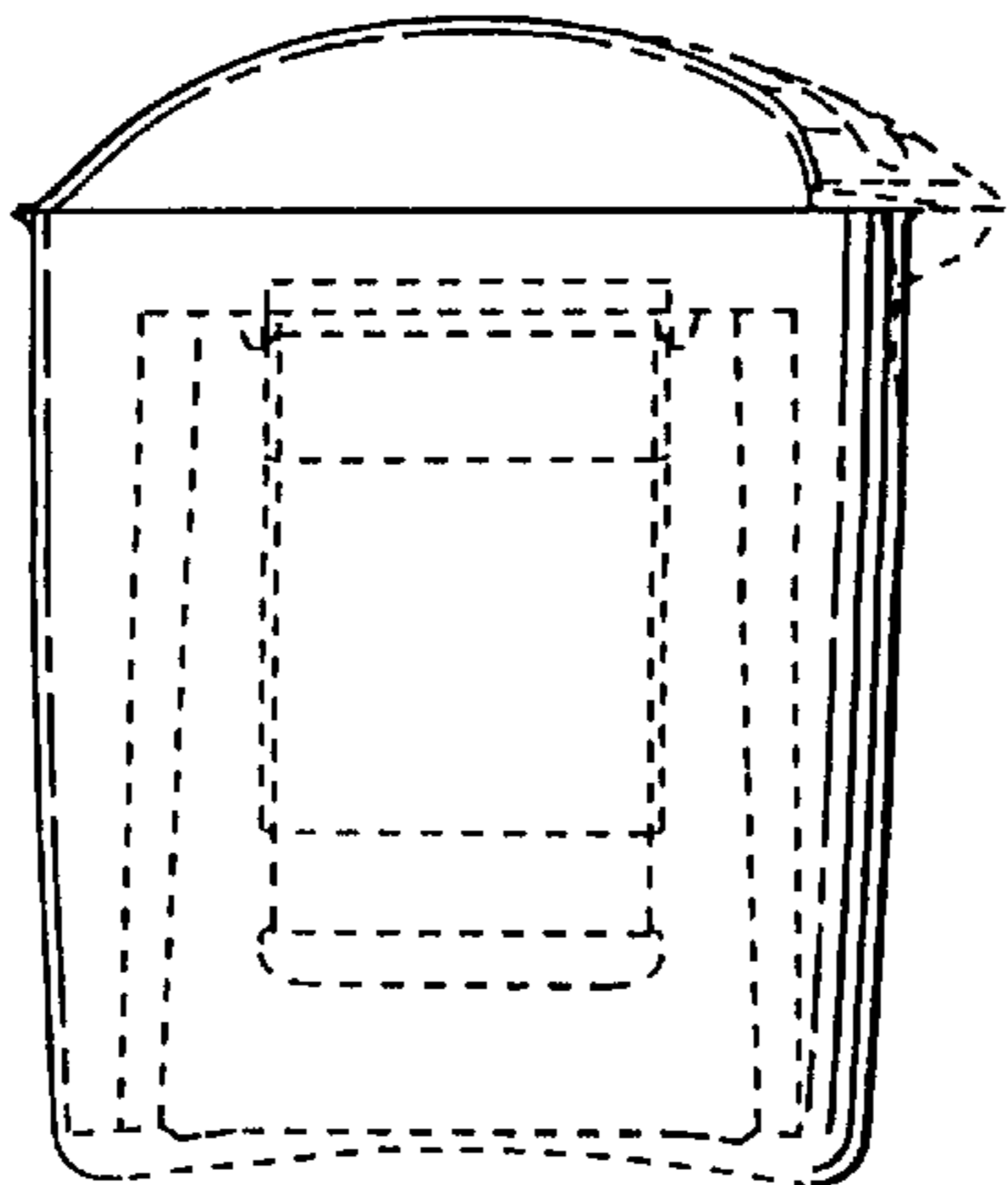


Fig. 7

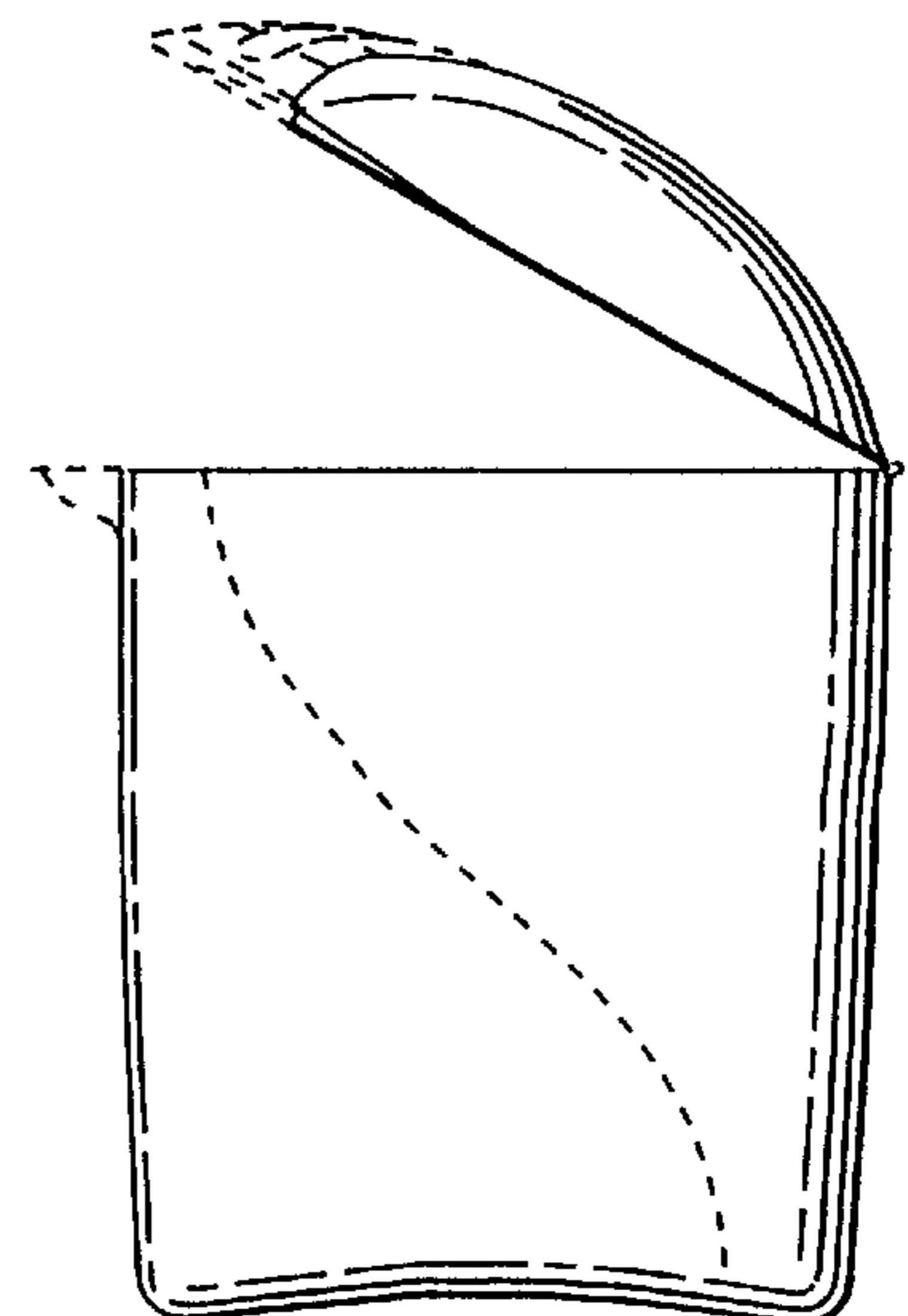


Fig. 8