



US00D434215S

United States Patent [19] Lin

[11] **Patent Number: Des. 434,215**

[45] **Date of Patent: ** Nov. 28, 2000**

[54] **SUNSHADE**

[76] **Inventor: Chen-Hsiung Lin**, No. 174, Ting Tan, Pi Tan Tsun, Lu Tsao Hsiang, Chia Yi Hsien, Taiwan

[**] **Term: 14 Years**

[21] **Appl. No.: 29/120,727**

[22] **Filed: Mar. 27, 2000**

[51] **LOC (7) Cl. 03-03**

[52] **U.S. Cl. D3/6**

[58] **Field of Search** D3/5, 6, 10, 13, D3/14; 135/15.1, 16, 20.3, 21, 28, 33.2; 248/530, 532, 533, 540, 548, 156

[56] **References Cited**

U.S. PATENT DOCUMENTS

200,945	3/1878	Smith	135/21
D. 371,902	7/1996	Lee	D3/5
D. 398,443	9/1998	Bolle	D3/5

D. 409,369	5/1999	Vega	D3/5
2,595,697	5/1952	Pereira	135/20.3
3,120,238	2/1964	Glatz	135/21

Primary Examiner—Louis S. Zarfes
Assistant Examiner—Catherine R. Oliver
Attorney, Agent, or Firm—Rosenberg, Klein & Lee

[57] **CLAIM**

The ornamental design for sunshade, as shown and described.

DESCRIPTION

FIG. 1 is a perspective view of sunshade showing my new design;
FIG. 2 is a front elevation view thereof;
FIG. 3 is a rear elevation view thereof;
FIG. 4 is a left side elevation view thereof;
FIG. 5 is a right side elevation view thereof;
FIG. 6 is a top plan view thereof; and,
FIG. 7 is a bottom plan view thereof.

1 Claim, 7 Drawing Sheets





FIG.1

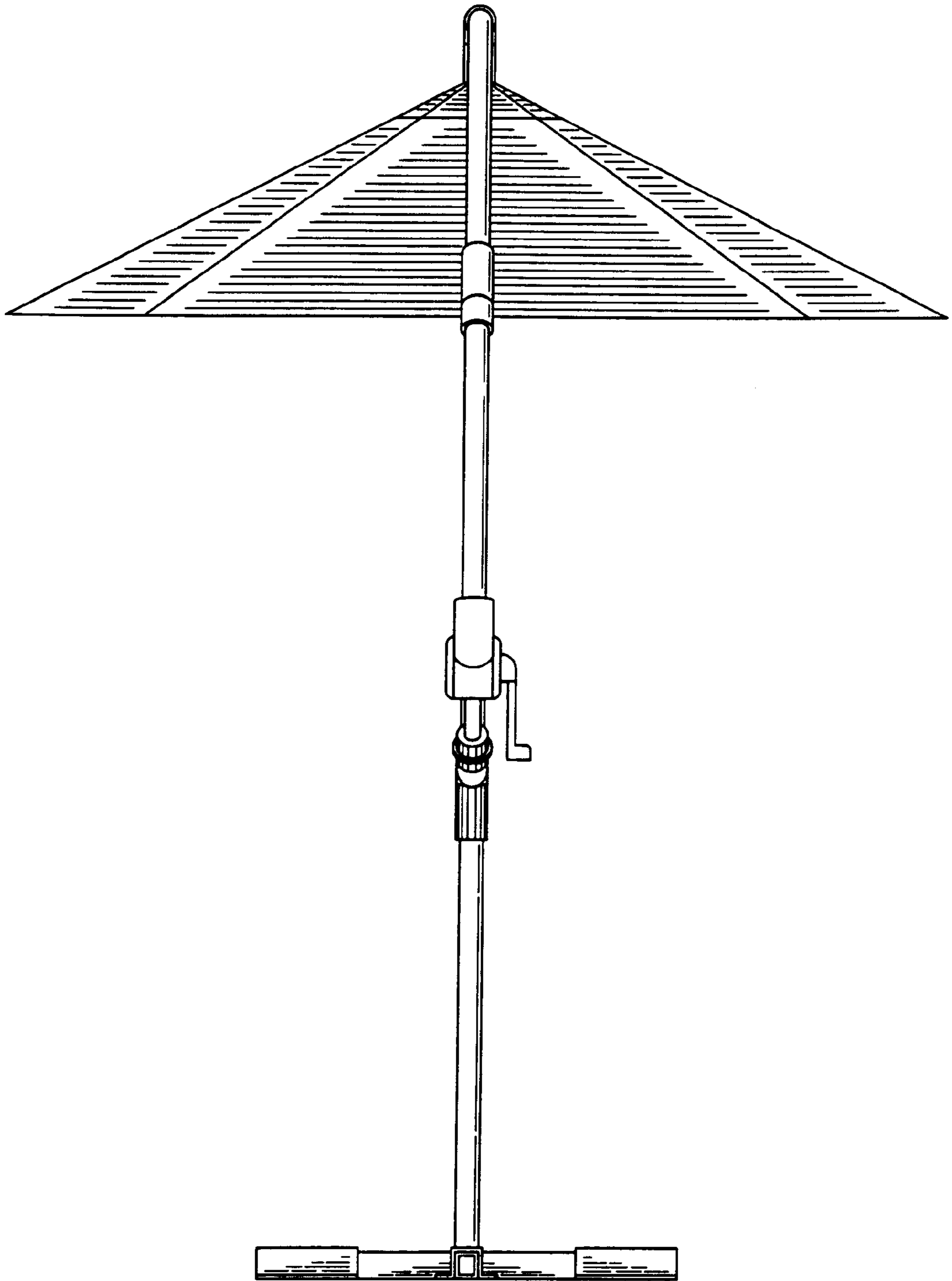


FIG. 2

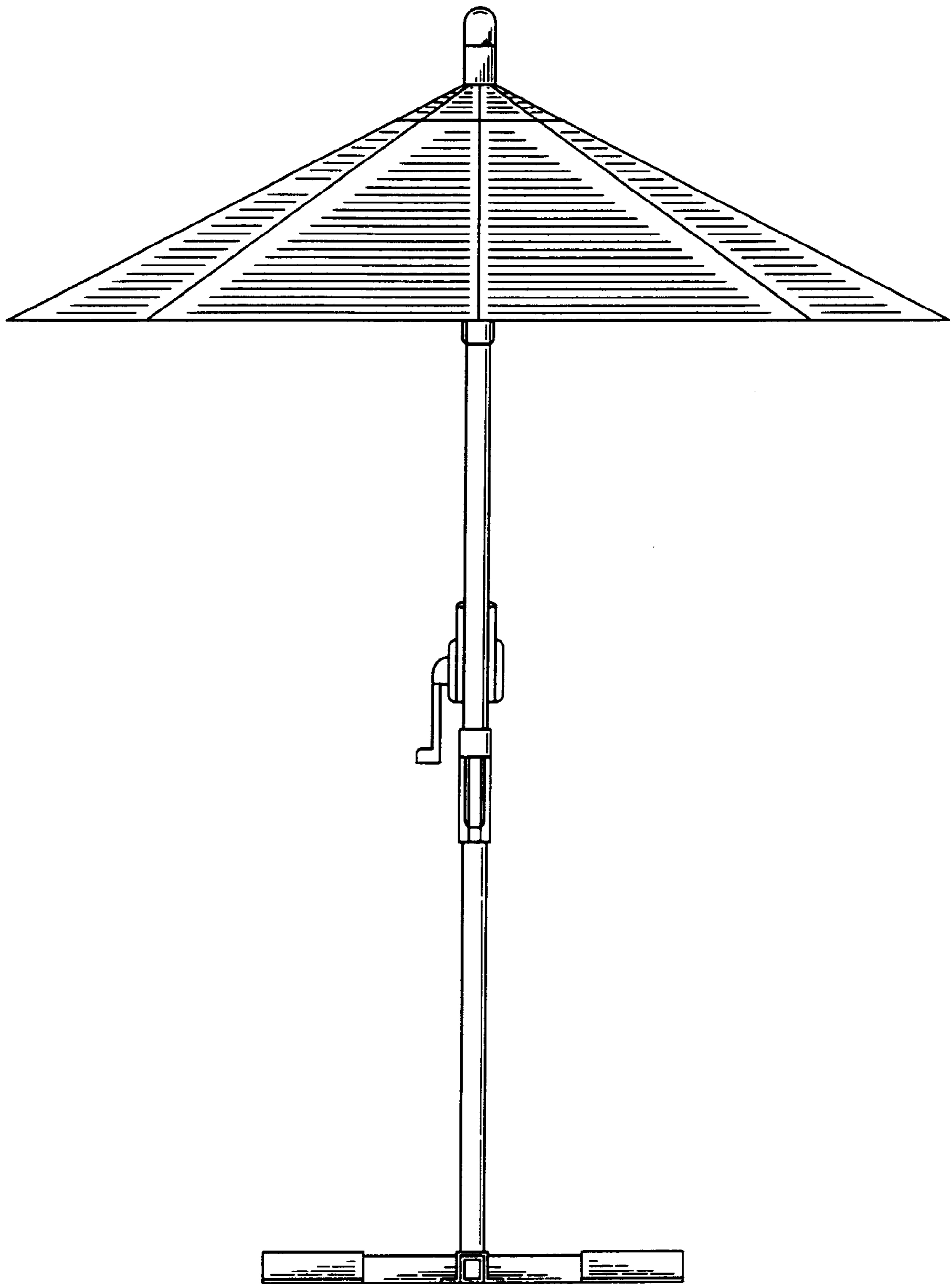


FIG. 3

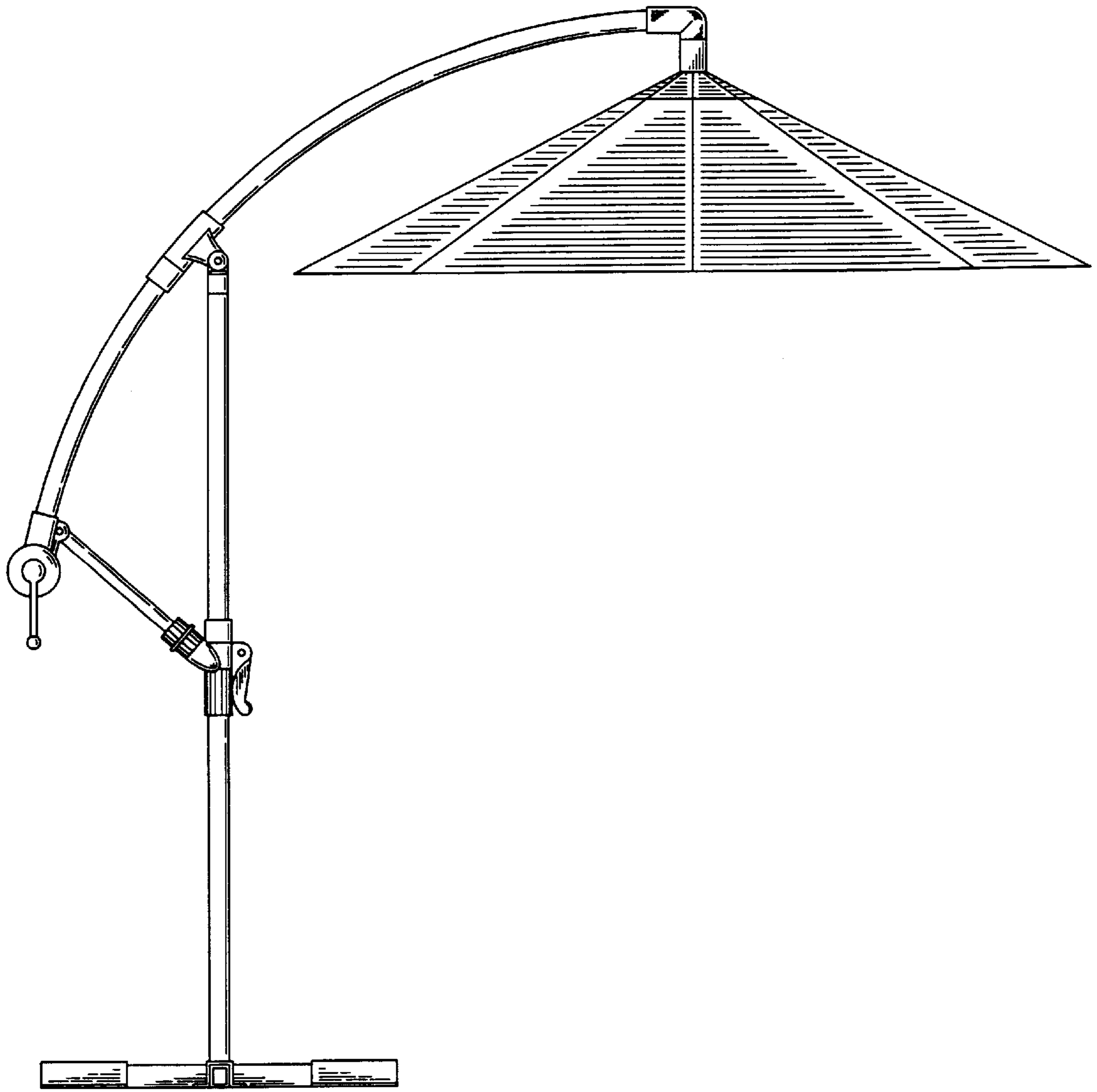


FIG.4

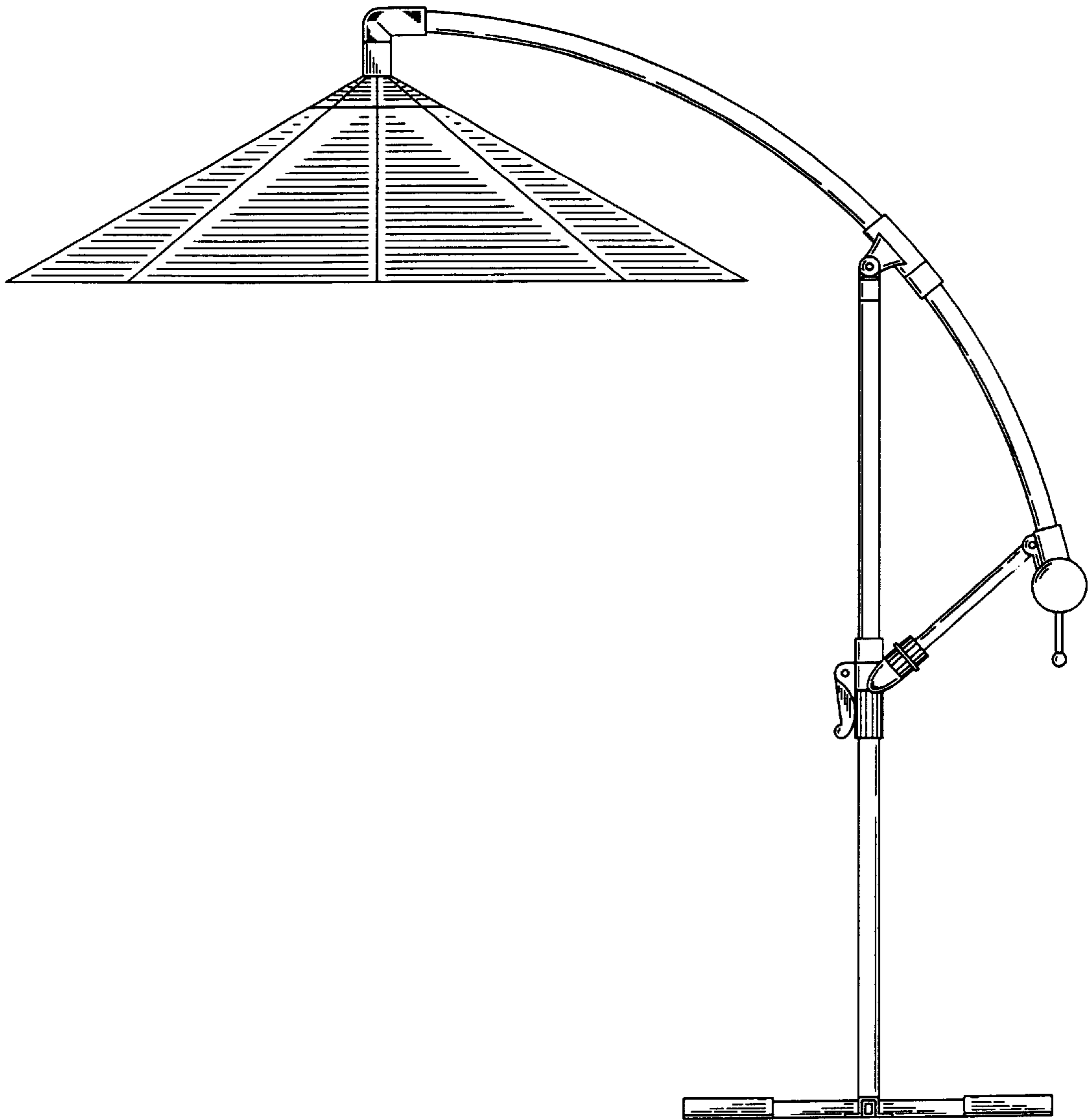


FIG.5

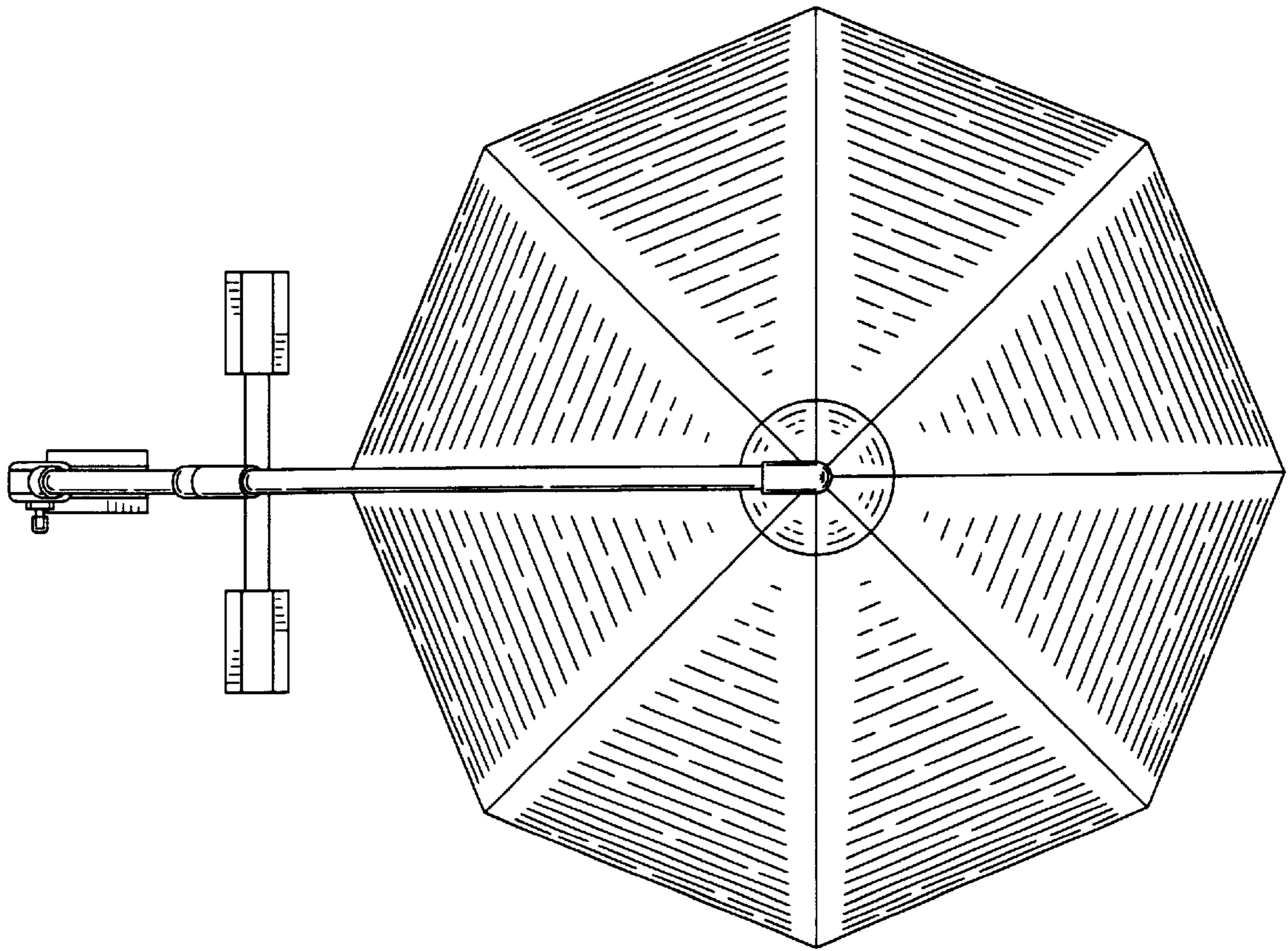


FIG. 6

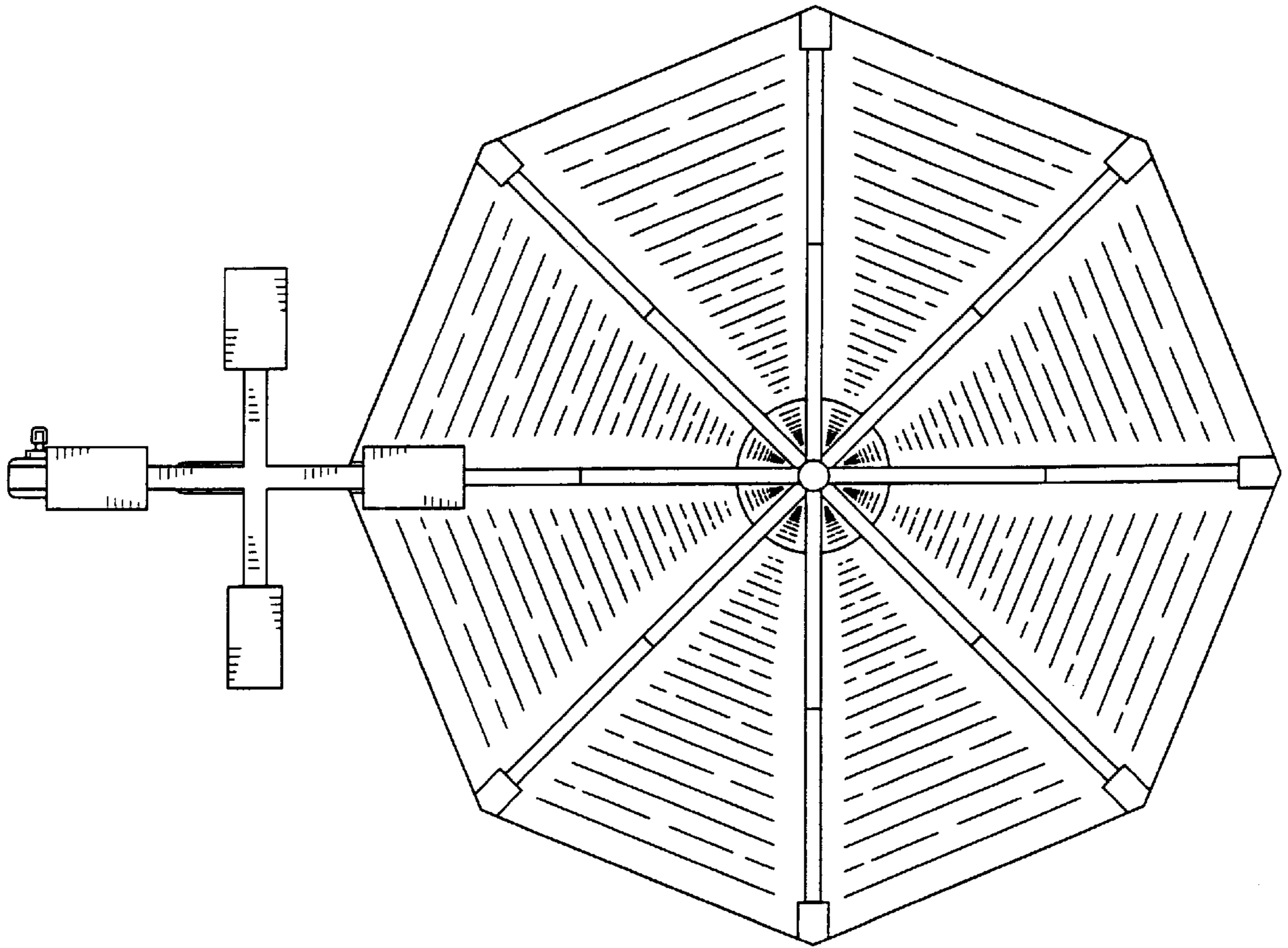


FIG.7