



US00D434203S

United States Patent [19] Lio

[11] **Patent Number: Des. 434,203**

[45] **Date of Patent: ** Nov. 21, 2000**

[54] **MAILBOX**

[76] **Inventor: Julio Lio, c/o Fuoriserie Imports, Inc.**
61 Pearl St., Suite 503, Brooklyn, N.Y.
11201

[**] **Term: 14 Years**

[21] **Appl. No.: 29/116,506**

[22] **Filed: Jan. 6, 2000**

[51] **LOC (7) Cl. 99-00**

[52] **U.S. Cl. D99/29**

[58] **Field of Search D99/29, 28, 31,**
D99/32, 33; 232/17, 19, 20, 21, 38, 39

[56] **References Cited**

U.S. PATENT DOCUMENTS

D. 337,417	7/1993	McNiven	D99/32
922,147	5/1909	Johnson	232/38
2,532,289	12/1950	Cahill	232/17
2,583,623	1/1952	Amo	.	
3,106,335	10/1963	Allan	232/17

3,502,261	3/1970	Solis	.
4,333,603	6/1982	Carlson	.
4,361,271	11/1982	Hester et al.	.
4,714,192	12/1987	Harlow, Jr. et al.	.
5,009,366	4/1991	Van Druff, Jr. et al.	.
5,425,501	6/1995	Wesorick	.
5,465,902	11/1995	Hanson	.
5,765,749	6/1998	Harper	.
5,775,578	7/1998	Baxi et al.	.

Primary Examiner—Paula A. Mortimer

[57] **CLAIM**

The ornamental design for a mailbox, as shown and described.

DESCRIPTION

FIG. 1 is the top view;
FIG. 2 is the left side view;
FIG. 3 is the rights side view;
FIG. 4 is the front view;
FIG. 5 is the bottom view; and,
FIG. 6 is the perspective view.

1 Claim, 3 Drawing Sheets

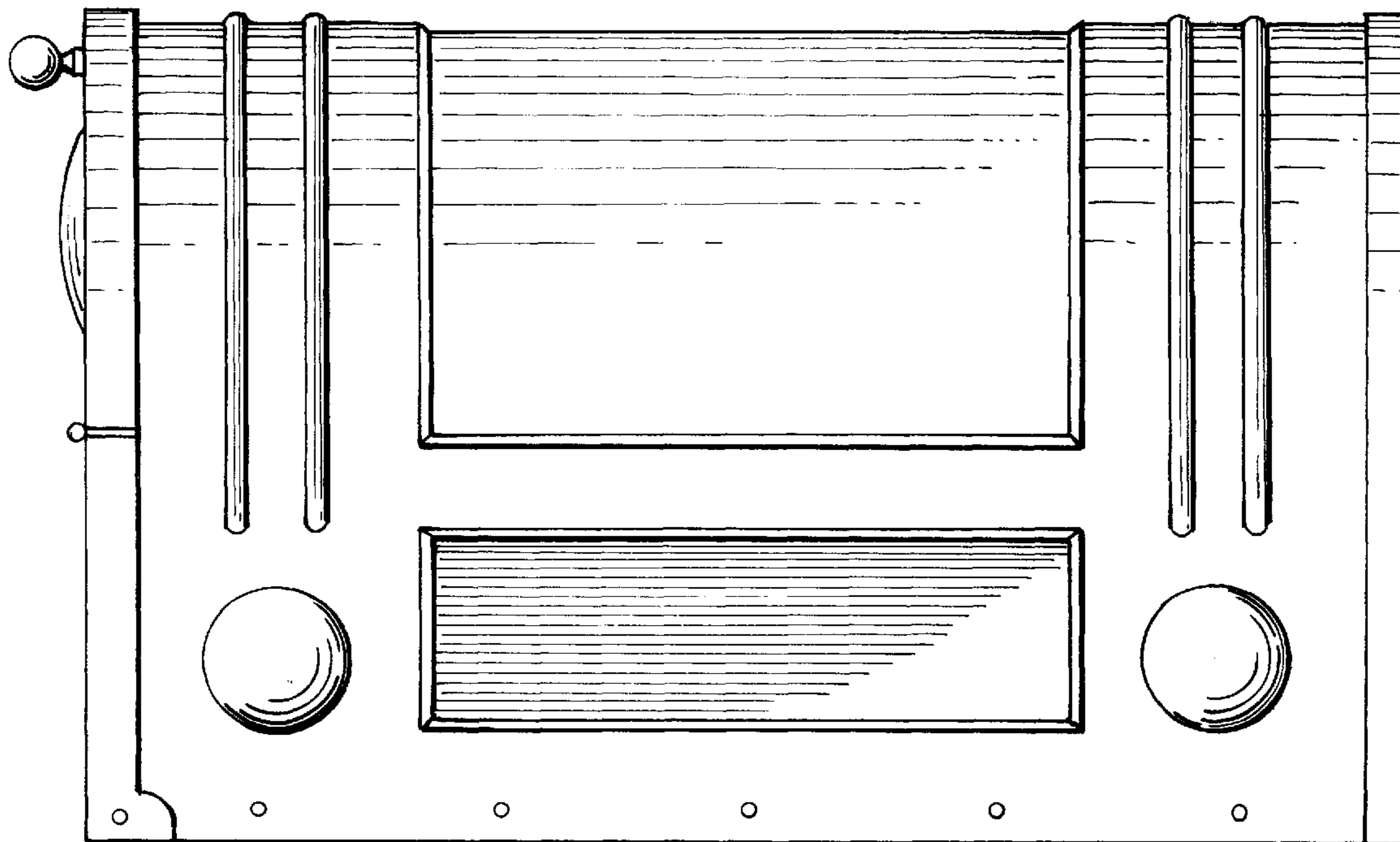


FIG. 1

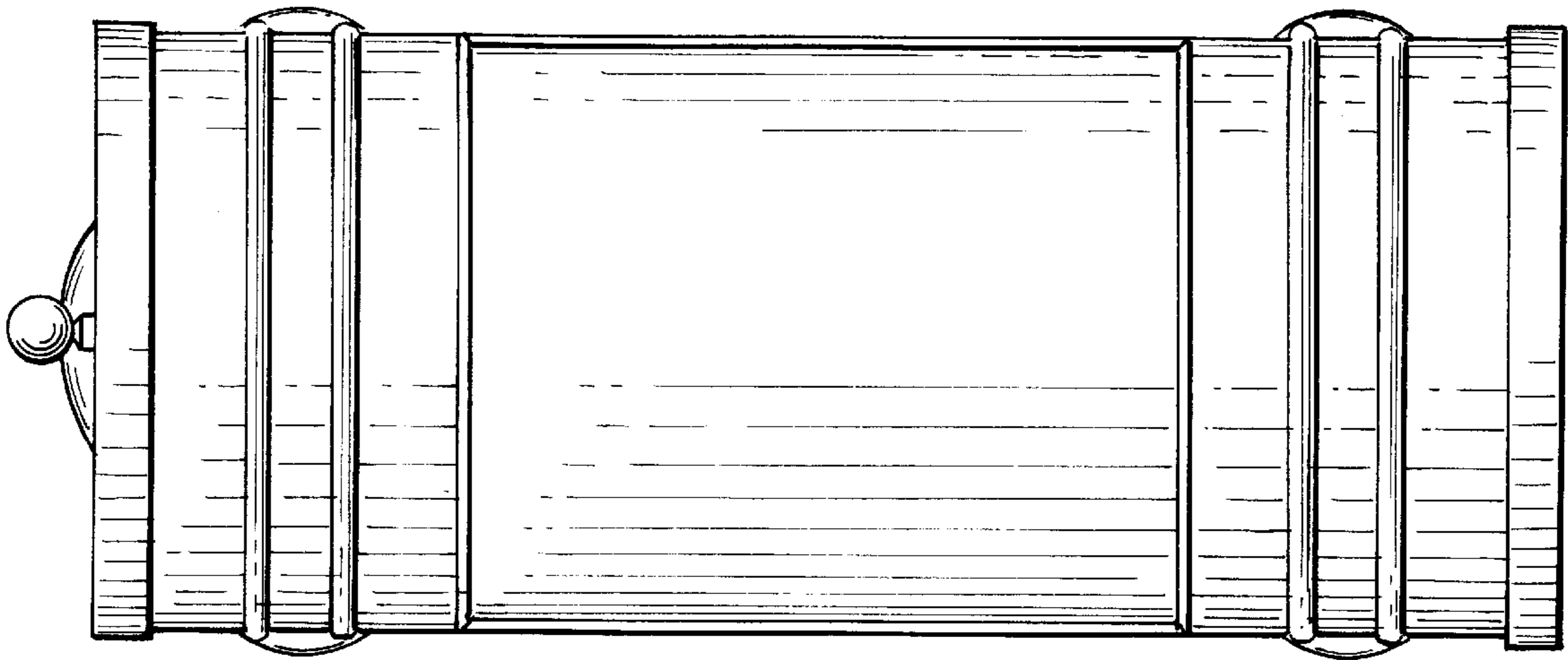


FIG. 2

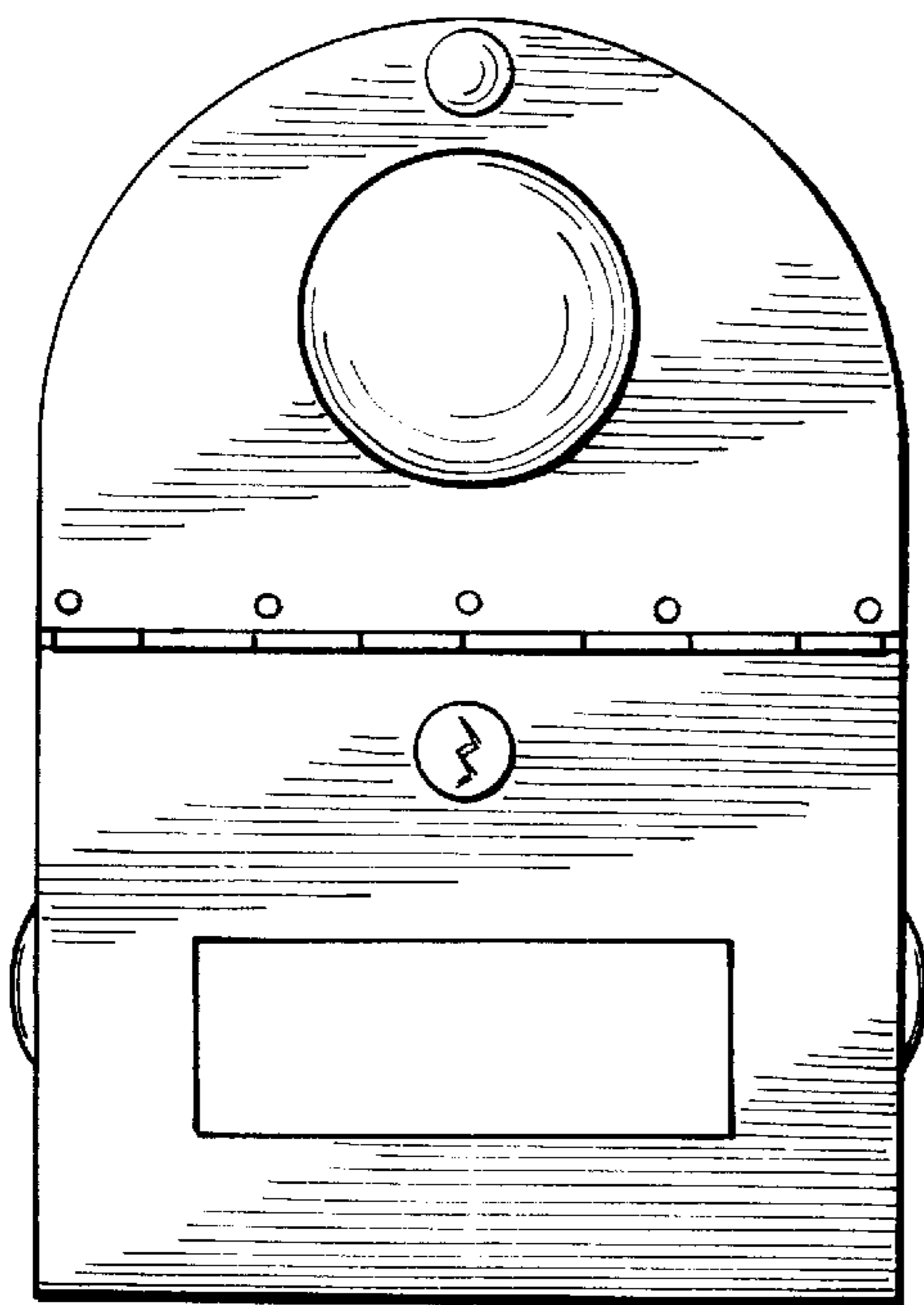


FIG. 3

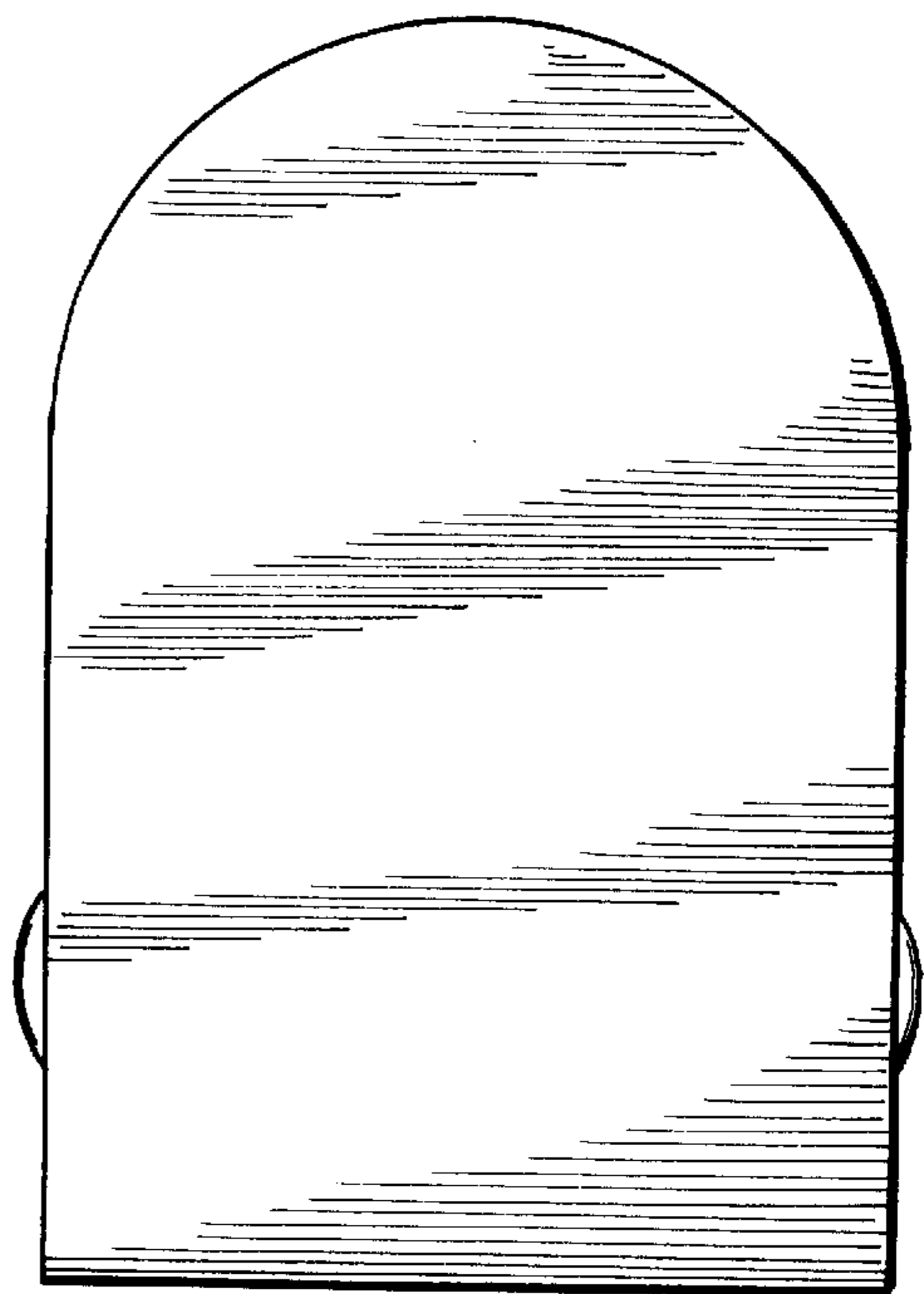


FIG. 4

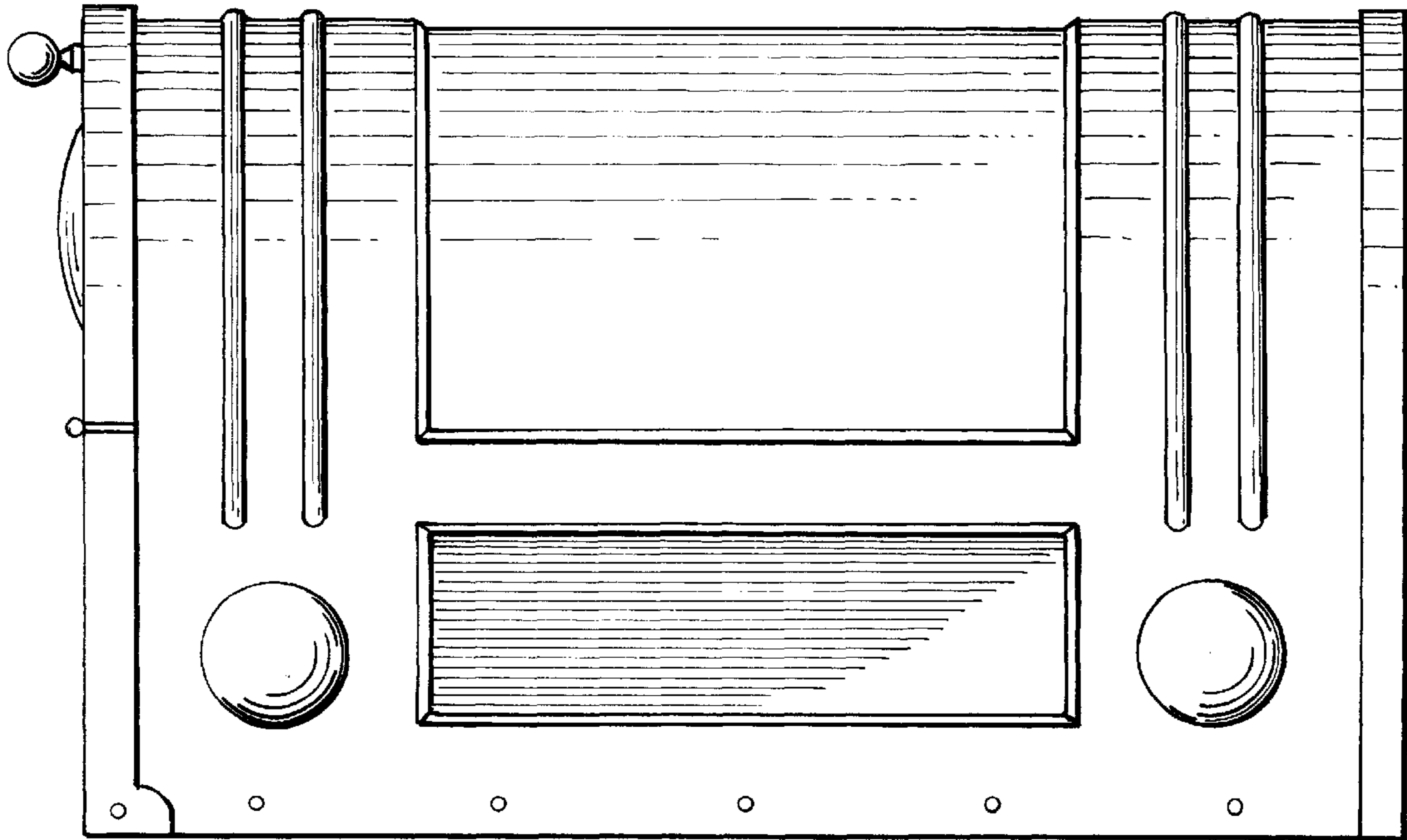
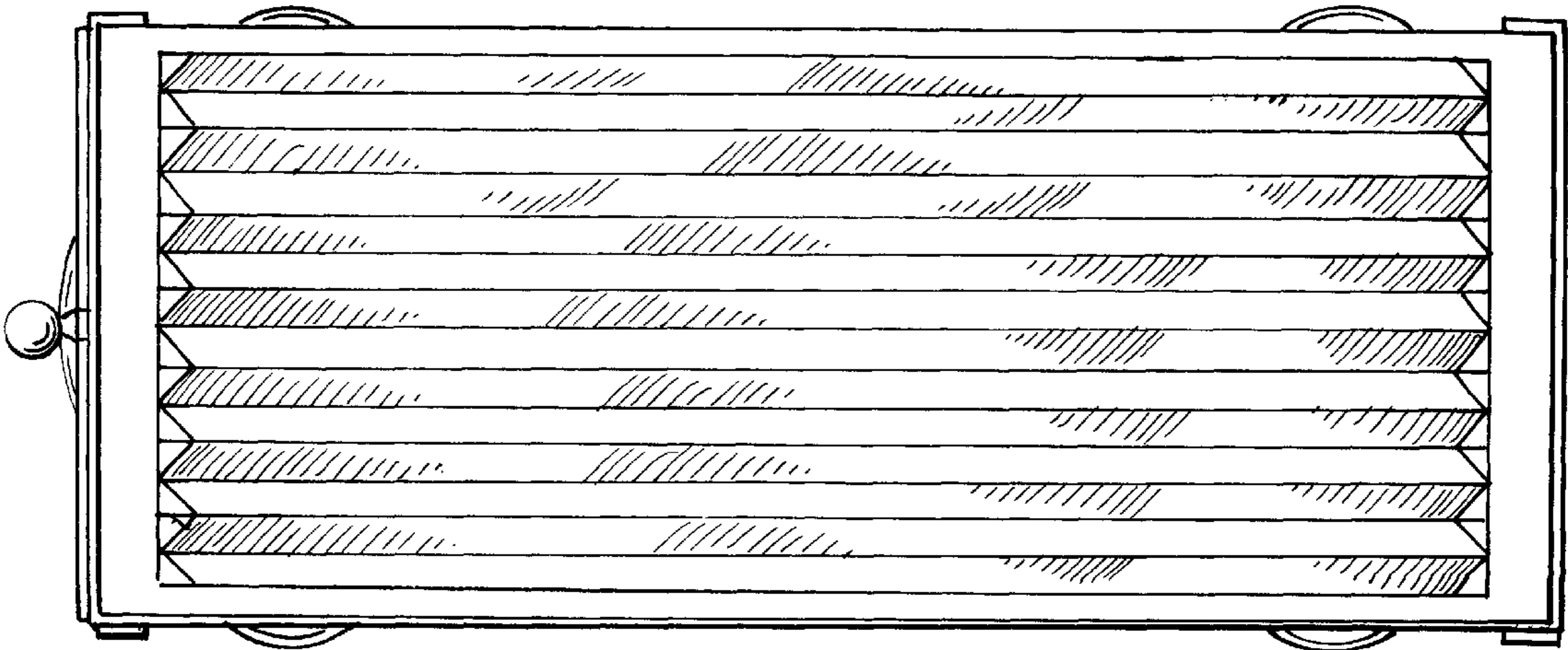


FIG. 5



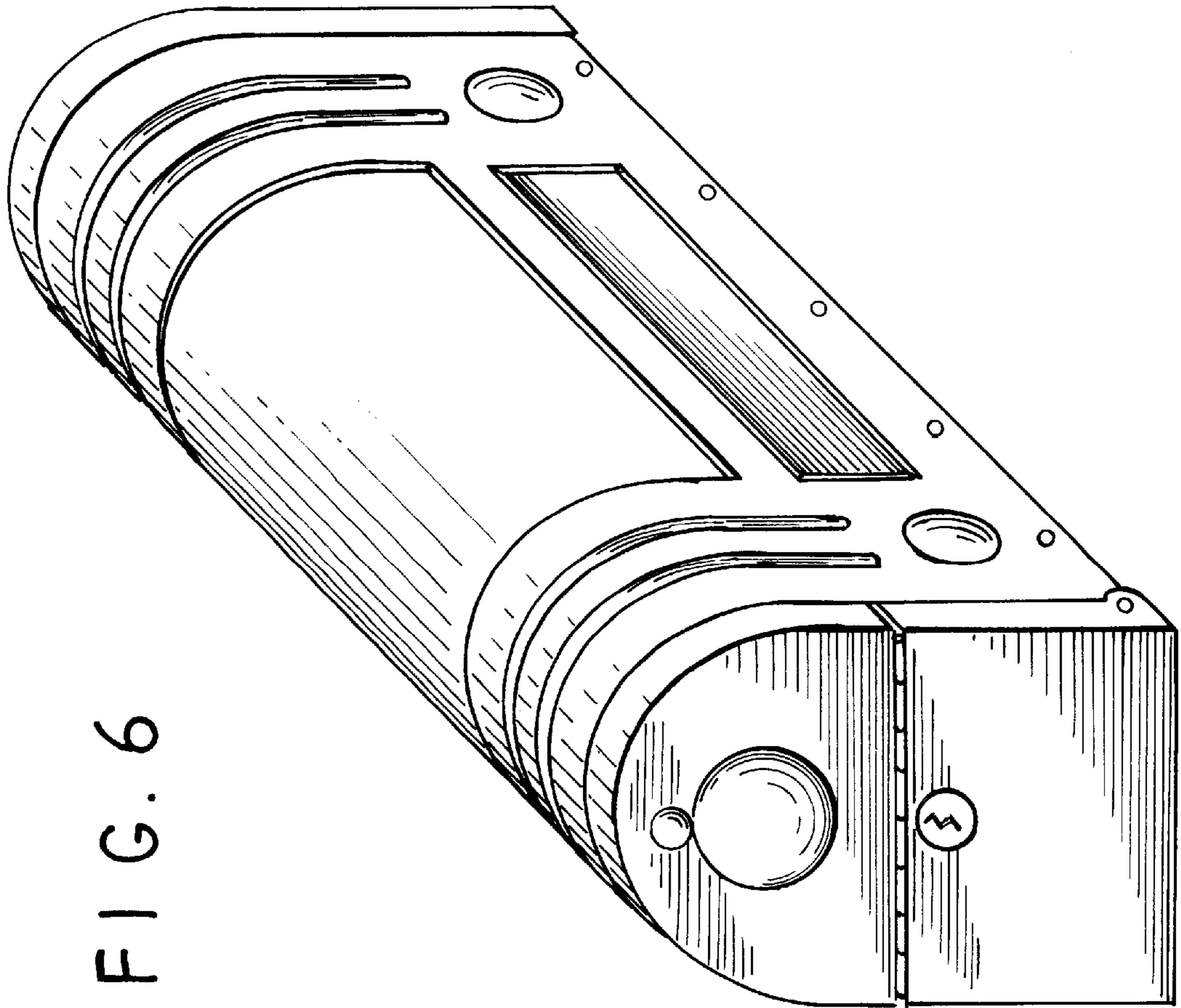


FIG. 6

UNITED STATES PATENT AND TRADEMARK OFFICE
CERTIFICATE OF CORRECTION

PATENT NO. : Des 434,203
DATED : November 21, 2000
INVENTOR(S) : Julio Lio

Page 1 of 3

It is certified that error appears in the above-identified patent and that said Letters Patent is hereby corrected as shown below:

The lines showing the hinge and lock in Figures 2 and 6 have been changed from solid lines to dotted lines.

Signed and Sealed this

Thirteenth Day of November, 2001

Attest:

Nicholas P. Godici

Attesting Officer

NICHOLAS P. GODICI
Acting Director of the United States Patent and Trademark Office

FIG. 1

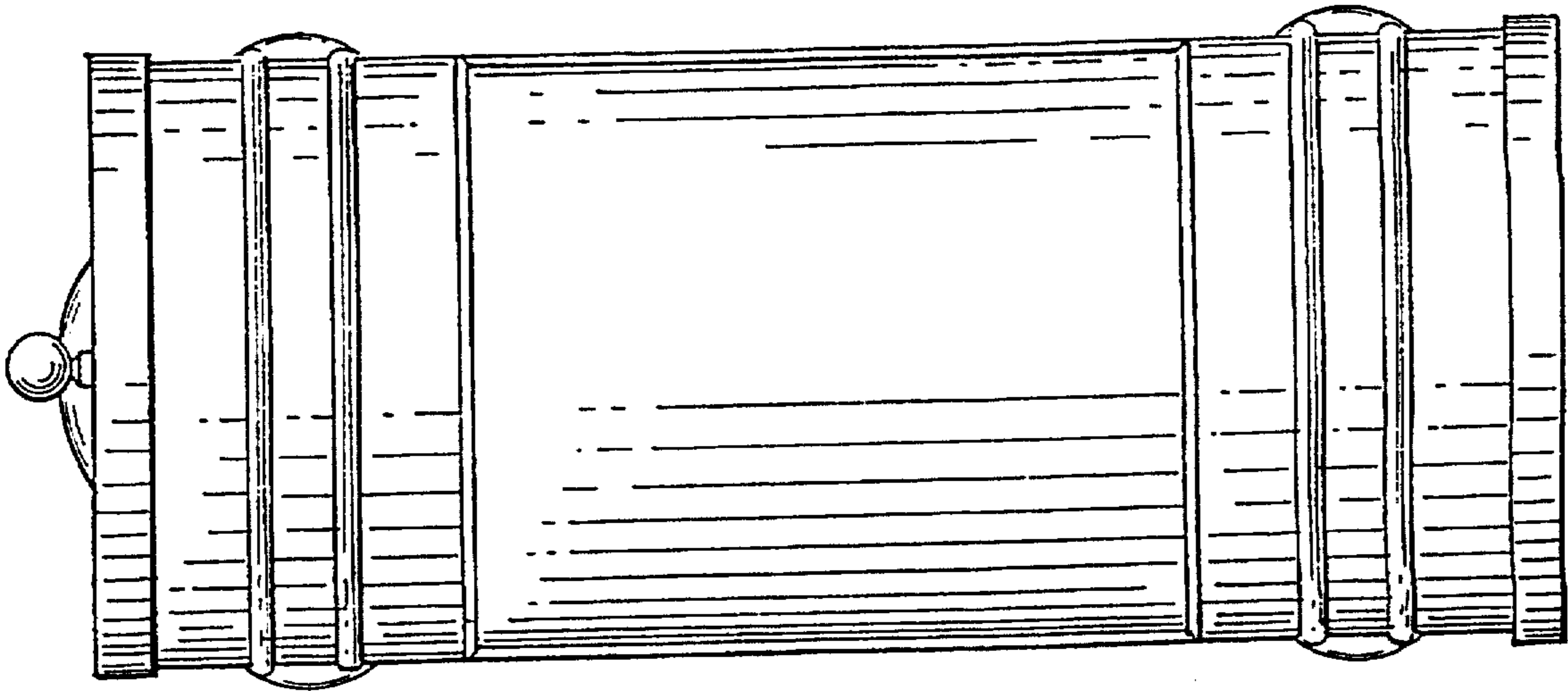


FIG. 2

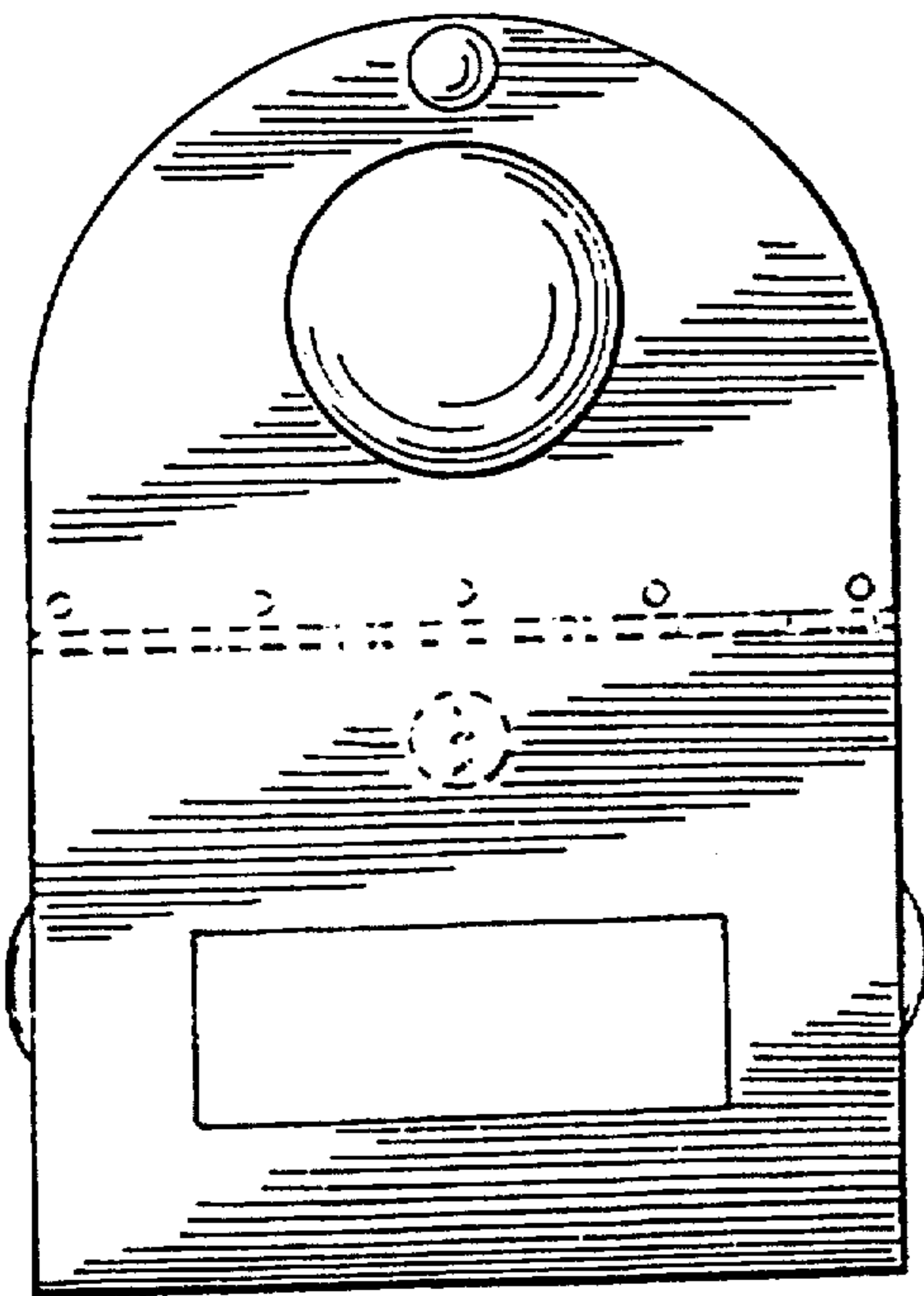
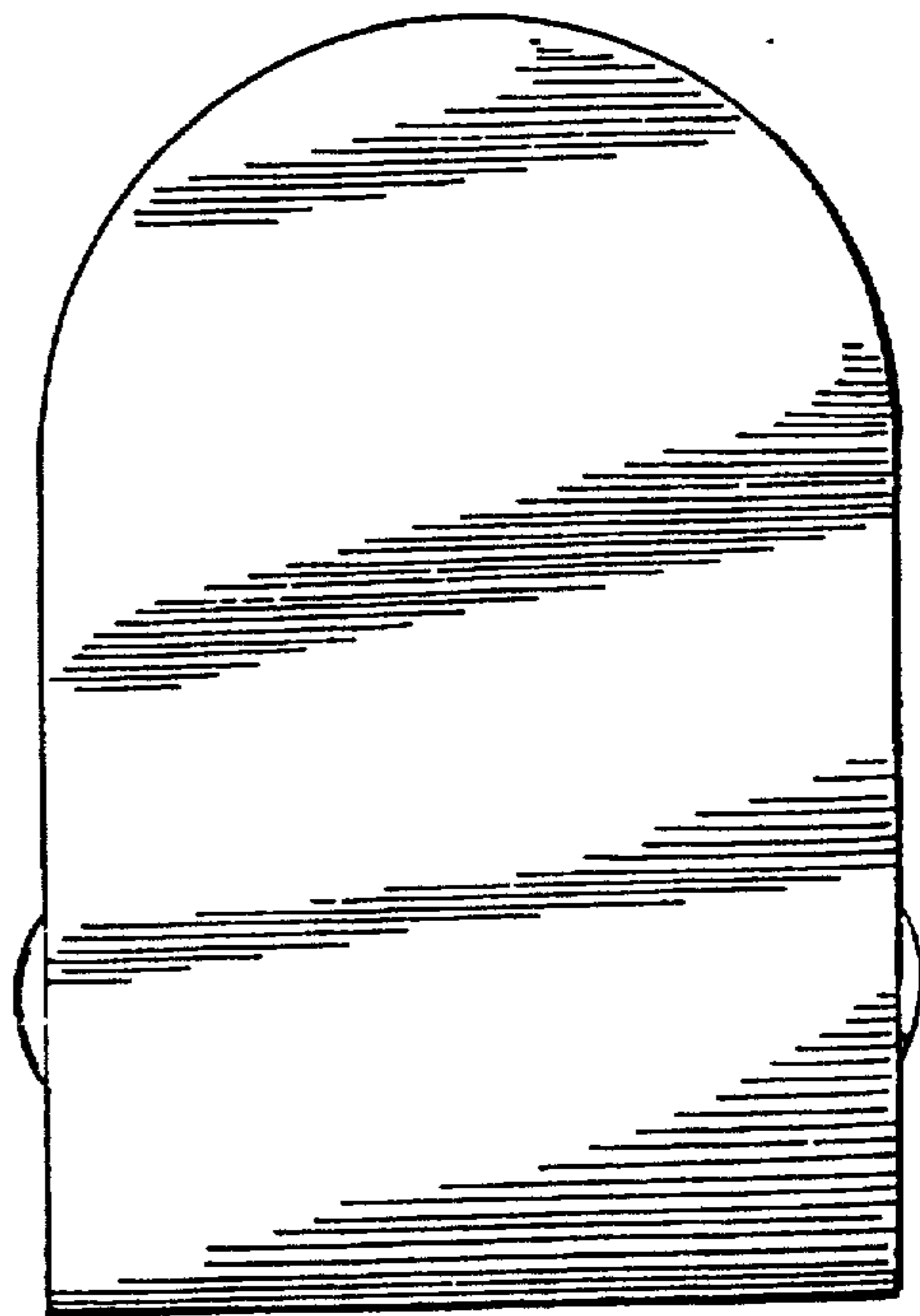


FIG. 3



U.S. Patent

Nov. 21, 2000

Sheet 3 of 3

Des. 434,203

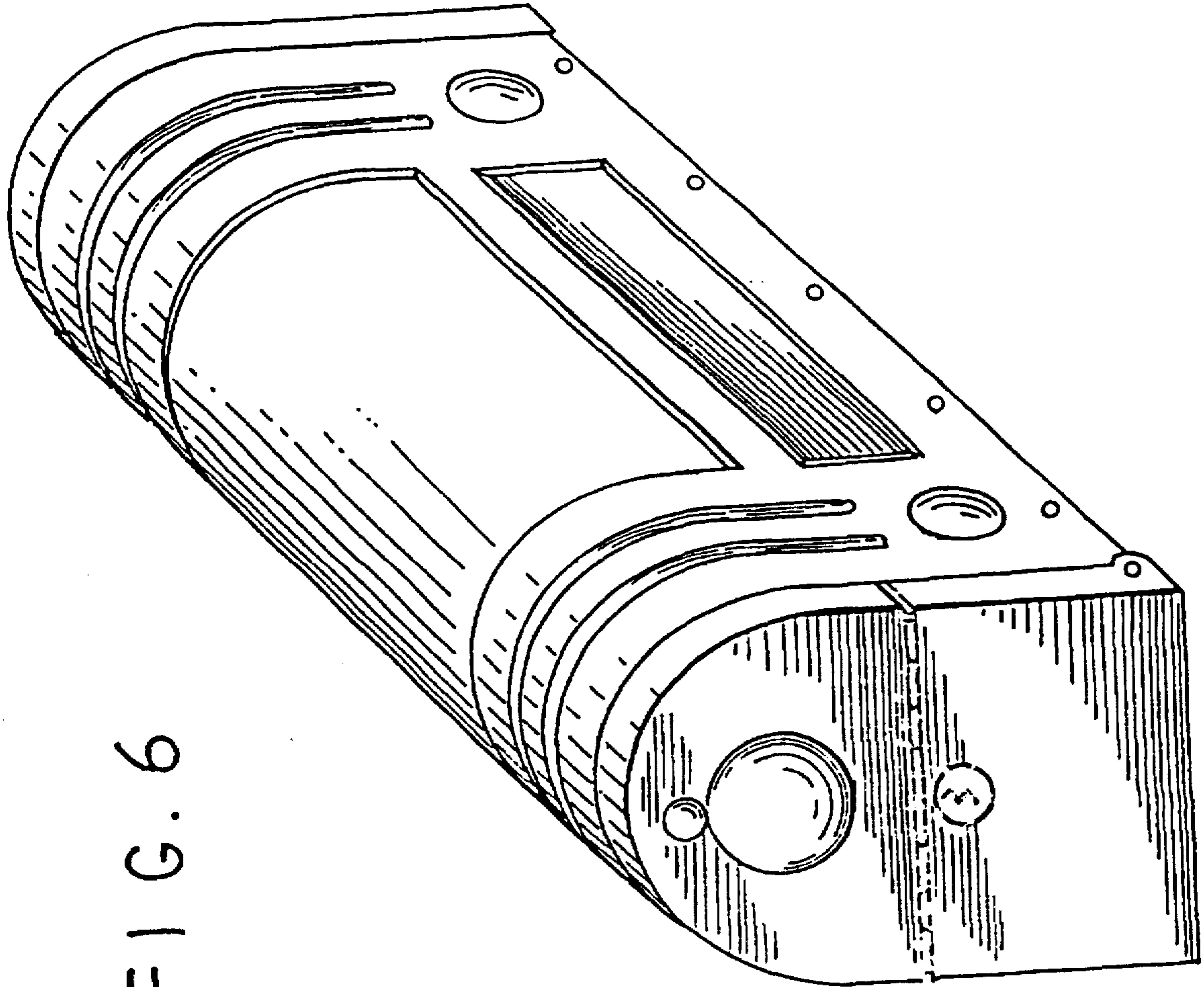


FIG. 6

UNITED STATES PATENT AND TRADEMARK OFFICE
CERTIFICATE OF CORRECTION

PATENT NO. : Des. 434,203
DATED : November 21, 2000
INVENTOR(S) : Julio Lio

Page 1 of 3

It is certified that error appears in the above-identified patent and that said Letters Patent is hereby corrected as shown below:

The lines showing the hinge and lock in Figures 2 and 6 have been changed from solid lines to dotted lines.

Signed and Sealed this

Twenty-seventh day of November, 2001

Attest:

Nicholas P. Godici

Attesting Officer

NICHOLAS P. GODICI
Acting Director of the United States Patent and Trademark Office

FIG. 1

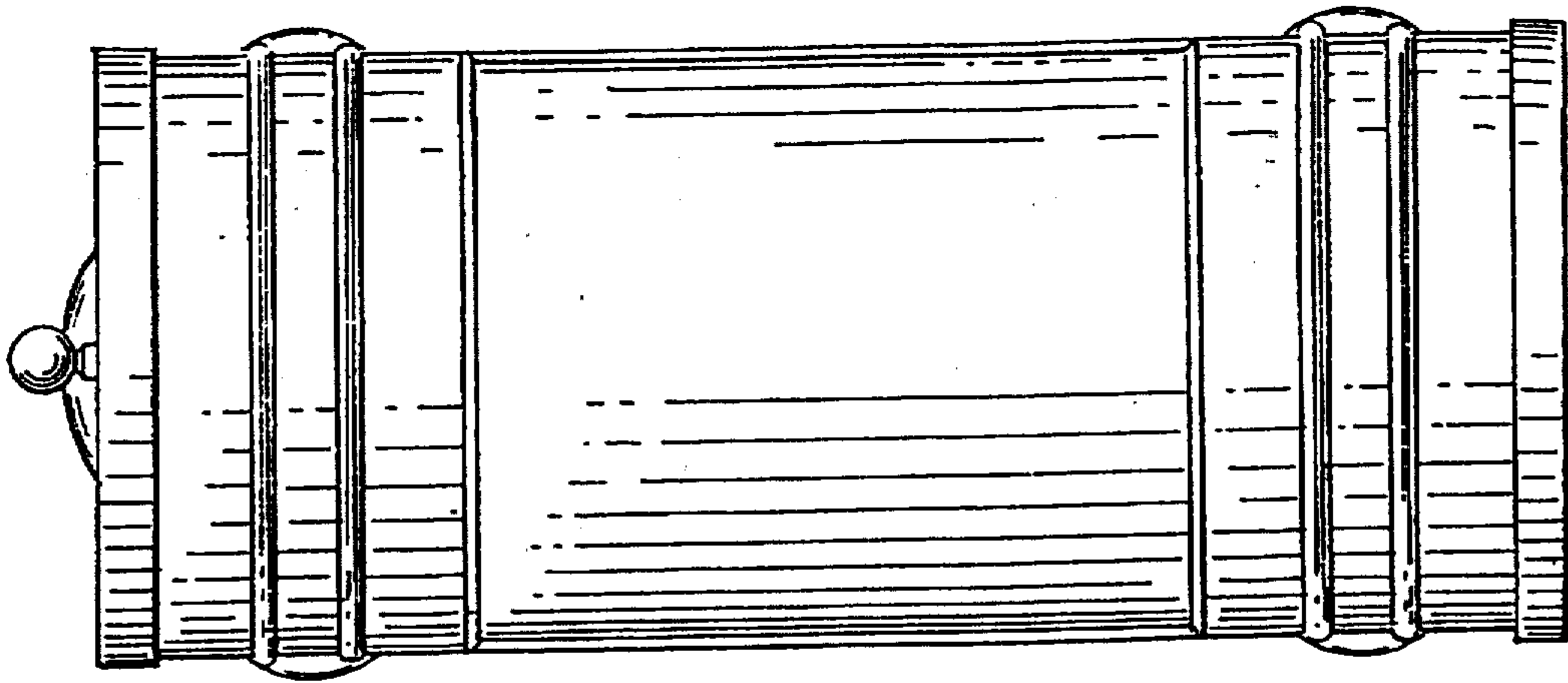


FIG. 2

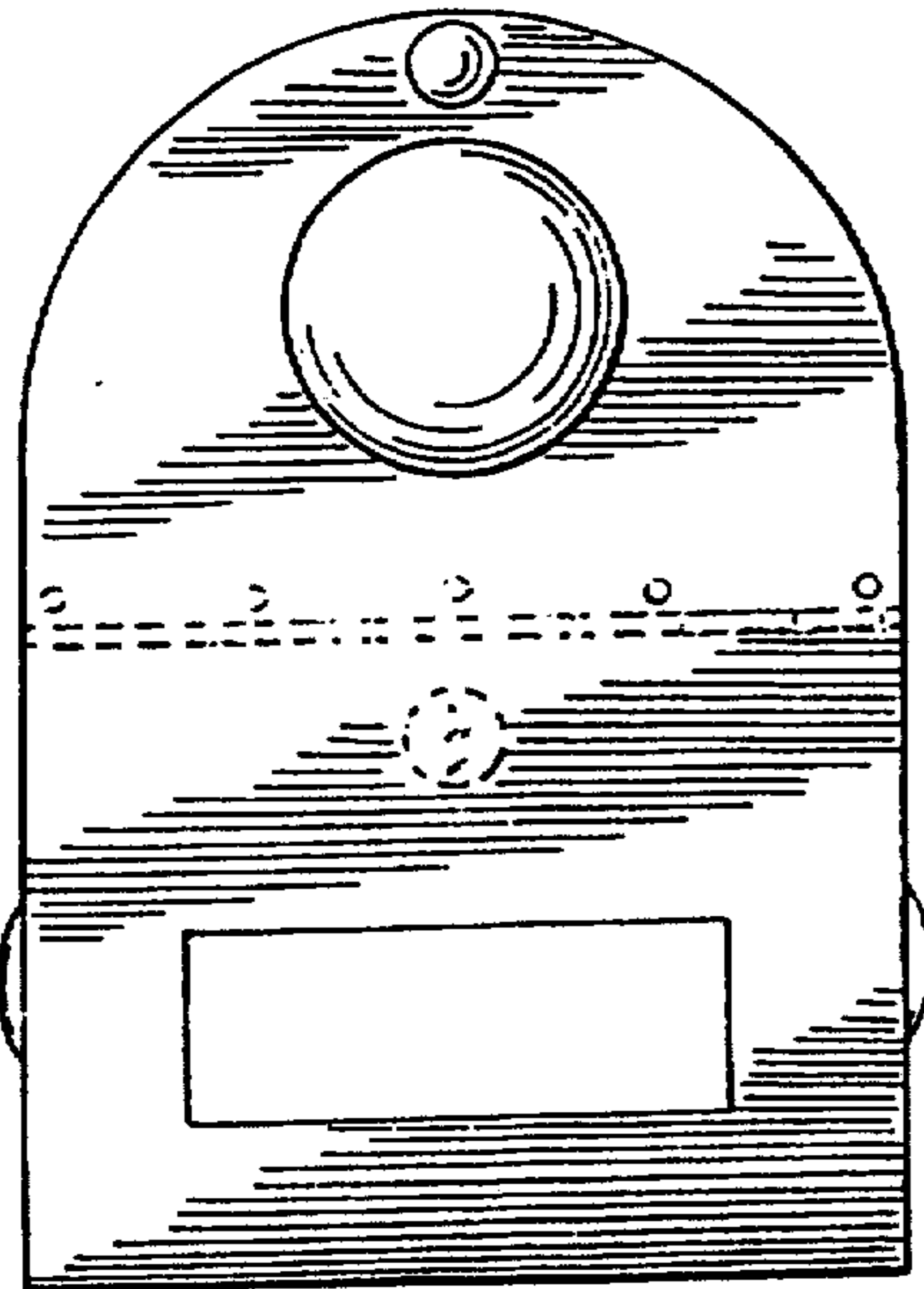
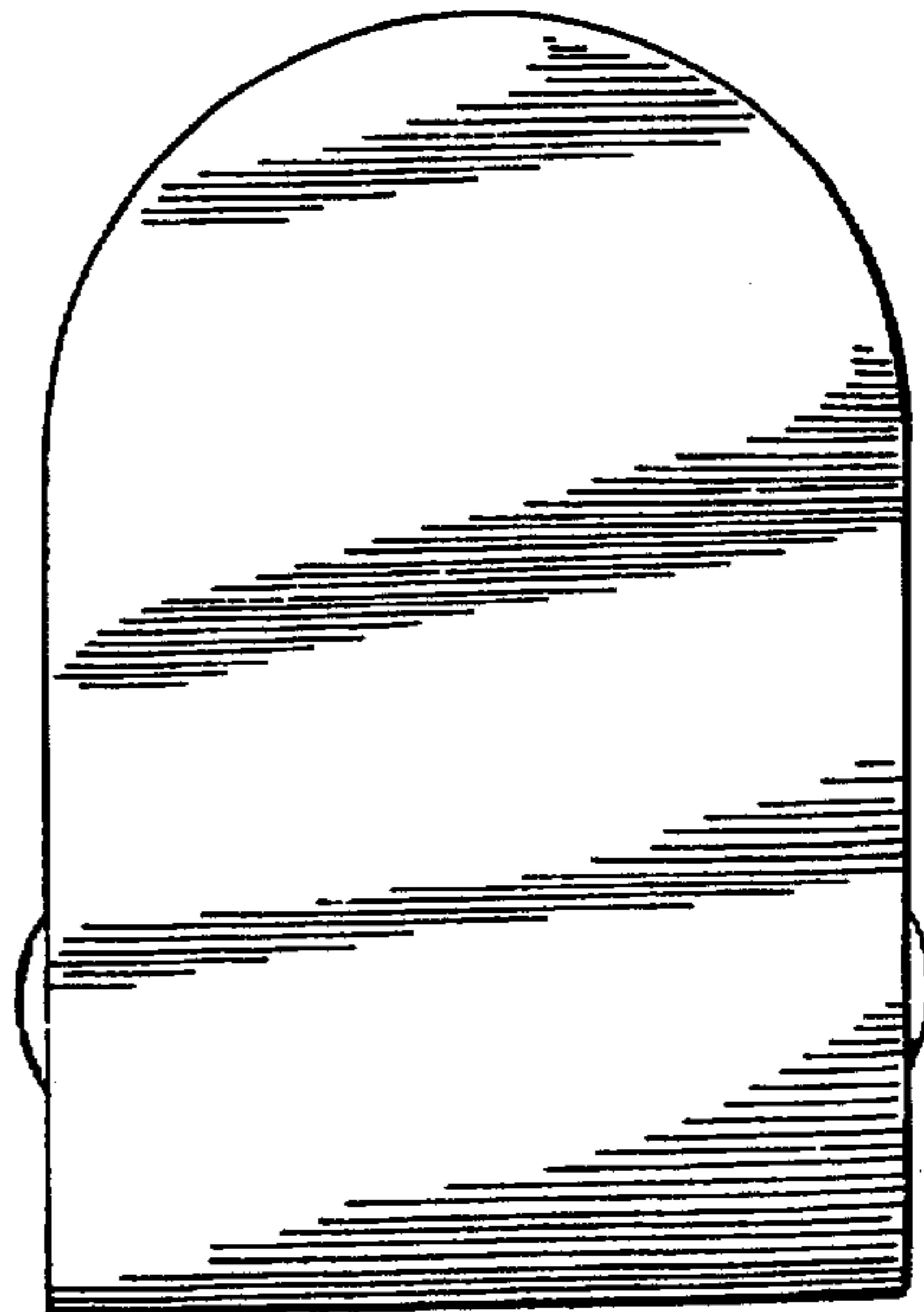


FIG. 3



U.S. Patent

Nov. 21, 2000

Sheet 3 of 3

Des. 434,203

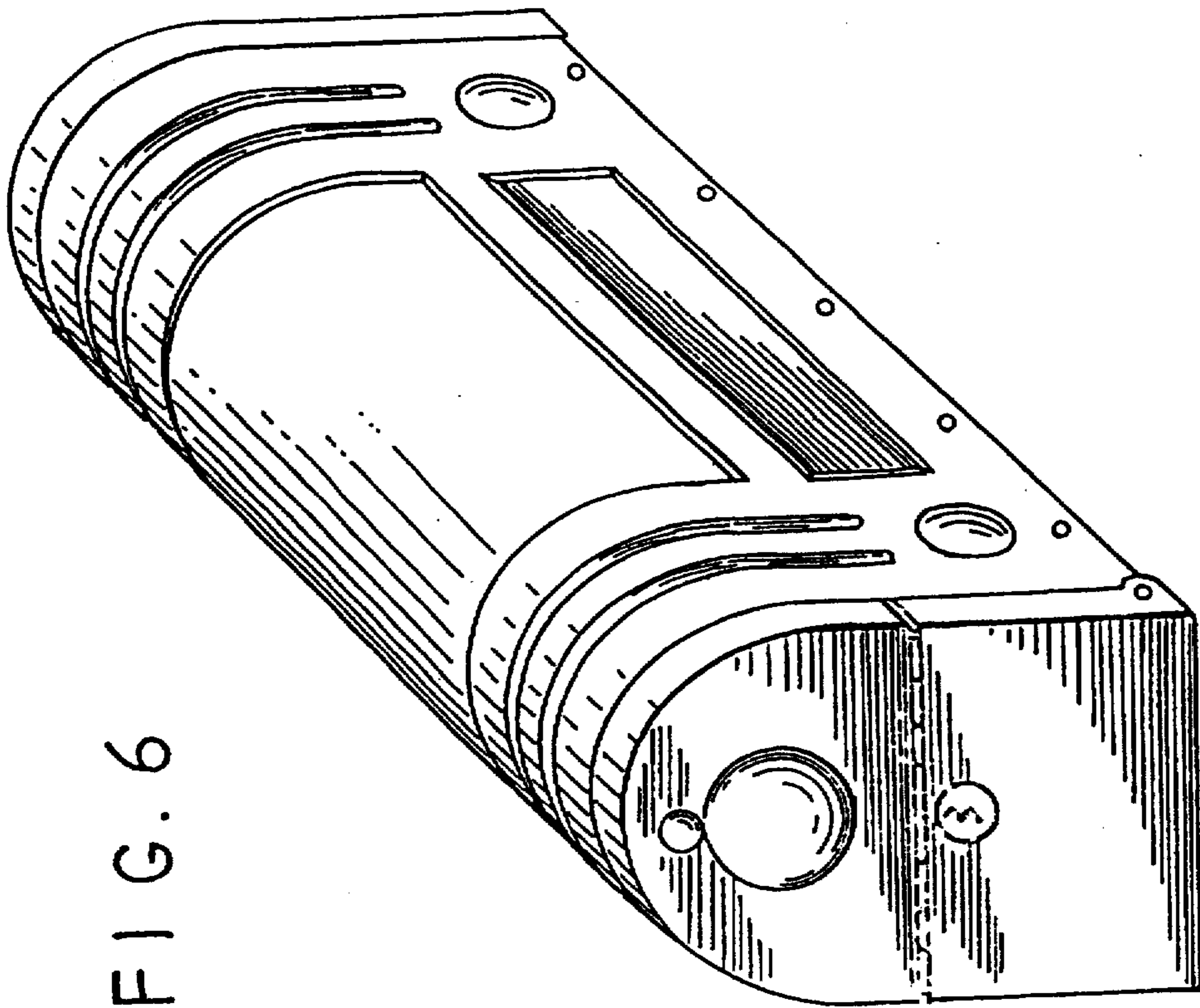


FIG. 6