



US00D434200S

# United States Patent [19]

[11] **Patent Number: Des. 434,200**

**Bowman et al.**

[45] **Date of Patent: \*\* Nov. 21, 2000**

[54] **CONTAINER FOR HOLDING INSULATION EQUIPMENT**

2,756,894	7/1956	Phillips	108/53.1
3,133,511	5/1964	Phillips	108/54.1
3,620,388	11/1971	Mansson	108/53.1
4,240,359	12/1980	Howe	108/53.1
4,266,678	5/1981	Daly	108/53.3 X

[75] Inventors: **Kenneth R. Bowman**, Reidsville, N.C.;  
**Peter V. Kane**, Kansas City, Mo.;  
**David J. Lichius, Sr.**, Overland Park, Kans.

*Primary Examiner*—Cynthia E Ramirez  
*Attorney, Agent, or Firm*—Lathrop & Gage L.C.

[73] Assignee: **Supreme Insulation, Inc.**, Kansas City, Mo.

[57] **CLAIM**

[\*\*] Term: **14 Years**

The ornamental design for a container for holding insulation equipment, as shown and described.

[21] Appl. No.: **29/117,075**

**DESCRIPTION**

[22] Filed: **Jan. 14, 2000**

FIG. 1 is a front perspective view of a container for holding insulation equipment, showing a new design;  
FIG. 2 is a front elevational view of the container;  
FIG. 3 is a back elevational view of the container;  
FIG. 4 is a left side elevational view of the container;  
FIG. 5 is a top plan view of the container;  
FIG. 6 is a bottom plan view of the container;  
FIG. 7 is a right side elevational view of the container;  
FIG. 8 is a back, right side perspective view of an alternative embodiment of the container of the present invention; and,  
FIG. 9 is a back, left side perspective view thereof.

[51] **LOC (7) Cl.** ..... **09-08**

[52] **U.S. Cl.** ..... **D34/38**

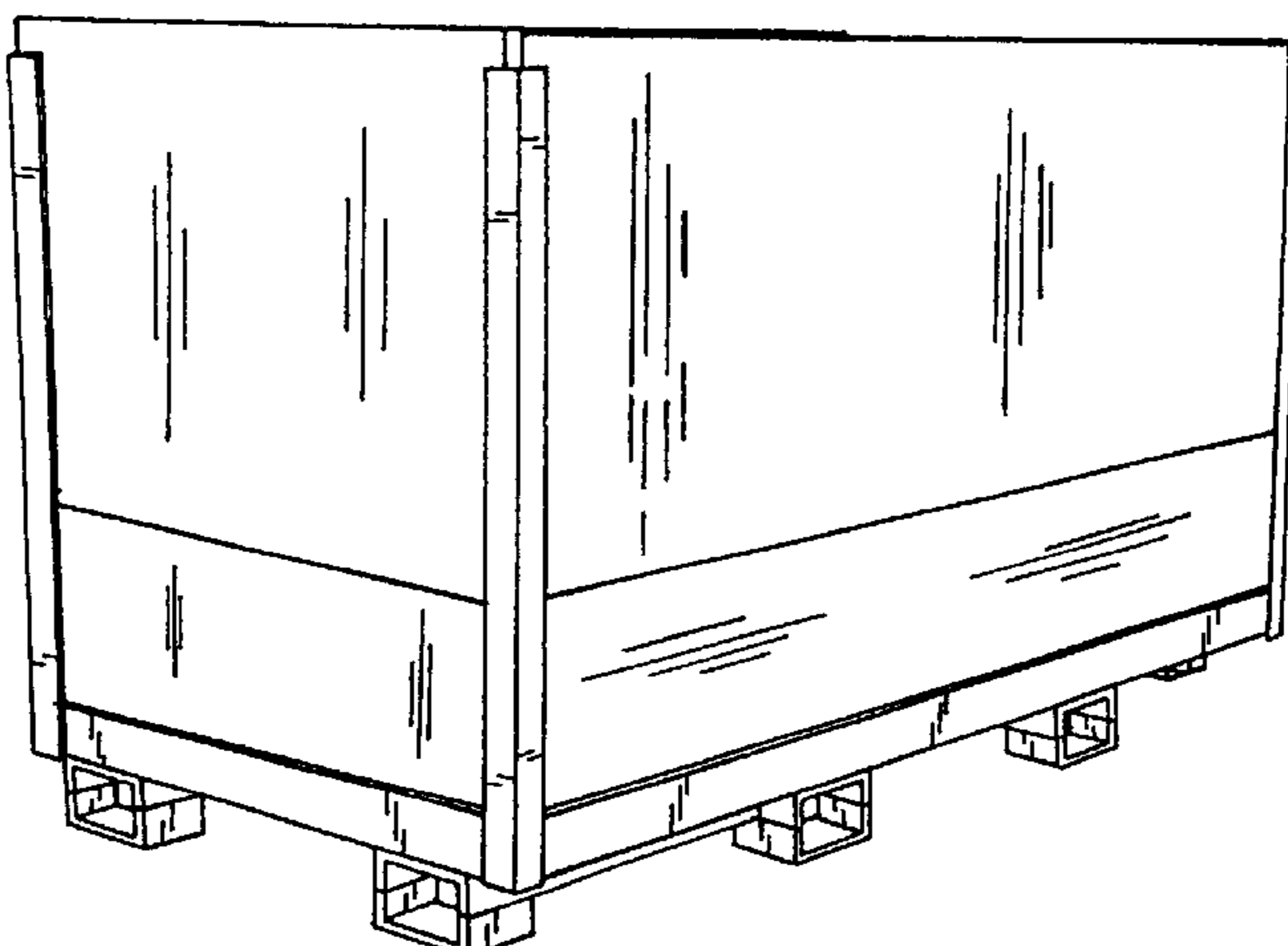
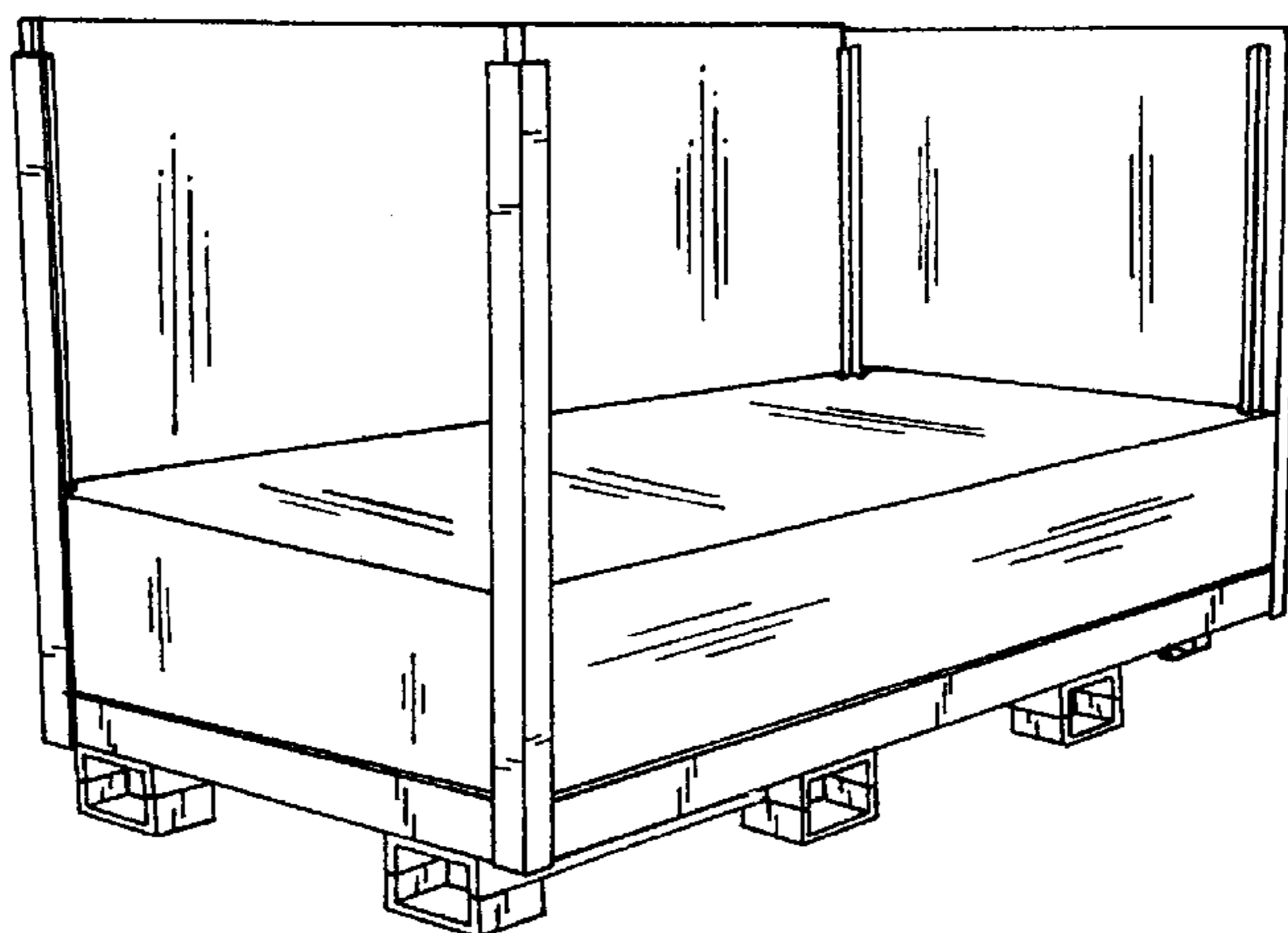
[58] **Field of Search** ..... D34/38; 108/53.1,  
108/53.3, 54.1, 51.11, 51.1; 256/595; 211/186;  
248/678, 346.01

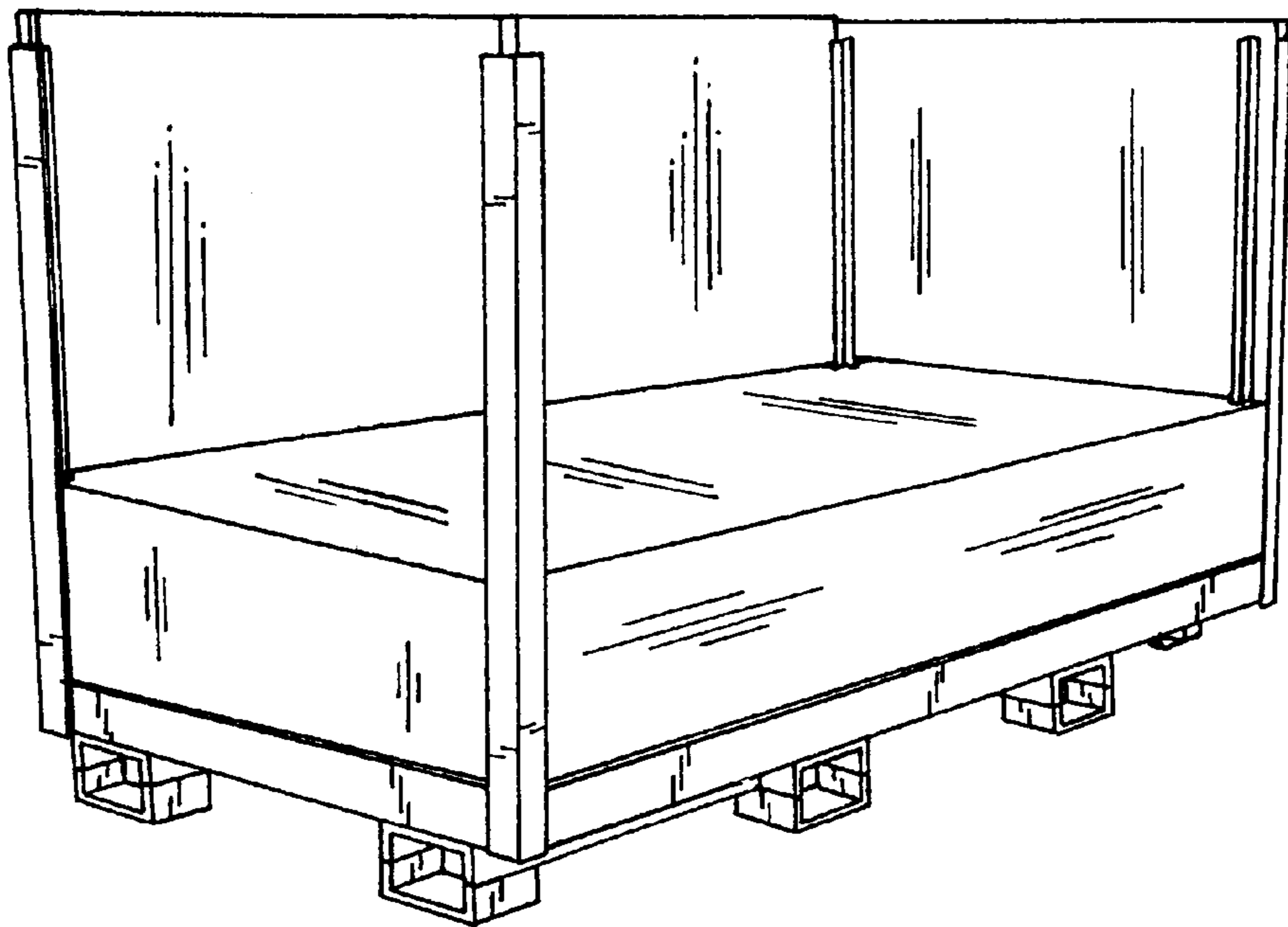
[56] **References Cited**

**U.S. PATENT DOCUMENTS**

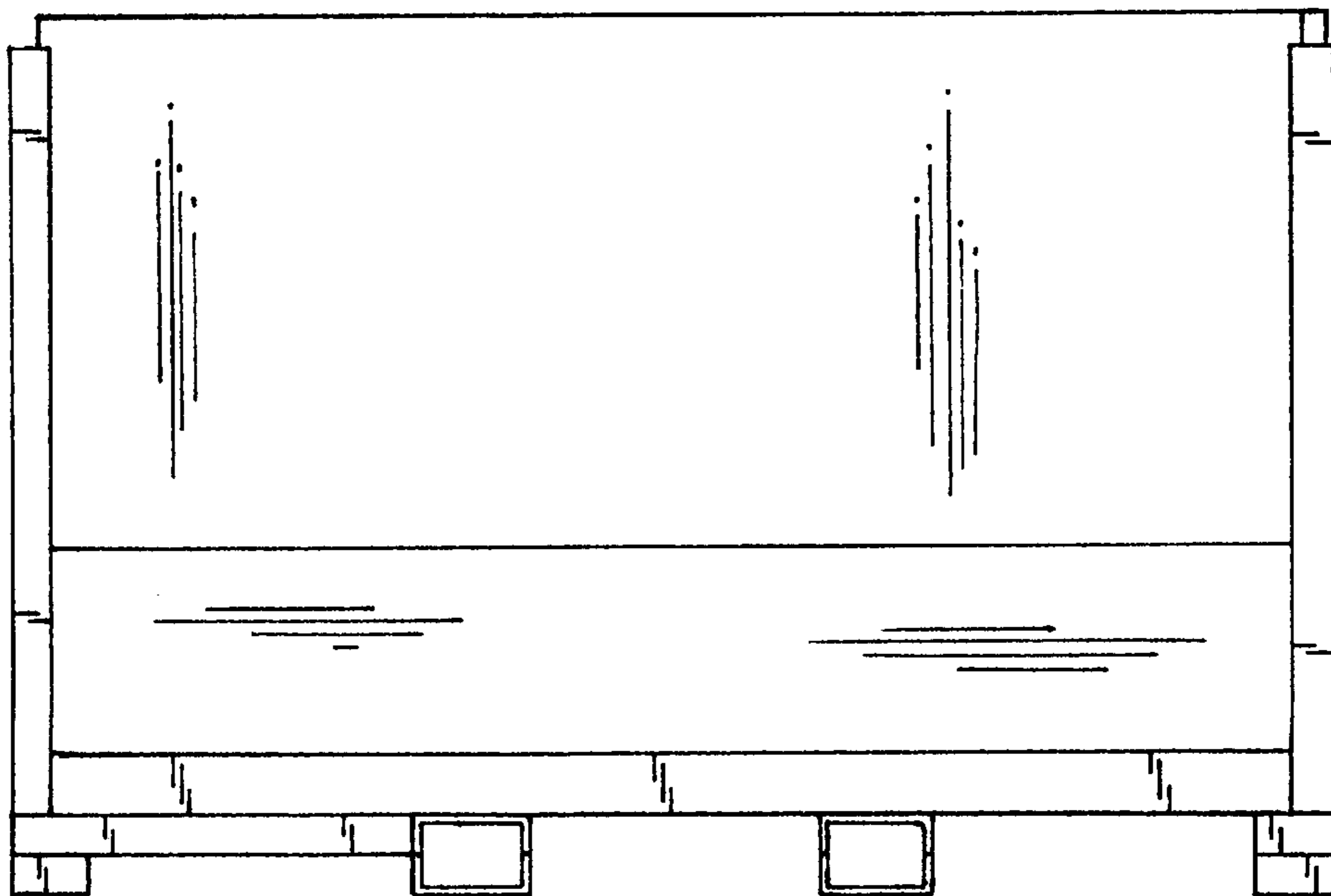
D. 345,847	4/1994	Schuchard	D34/38 X
D. 402,037	12/1998	Hofstad	D34/38

**1 Claim, 4 Drawing Sheets**

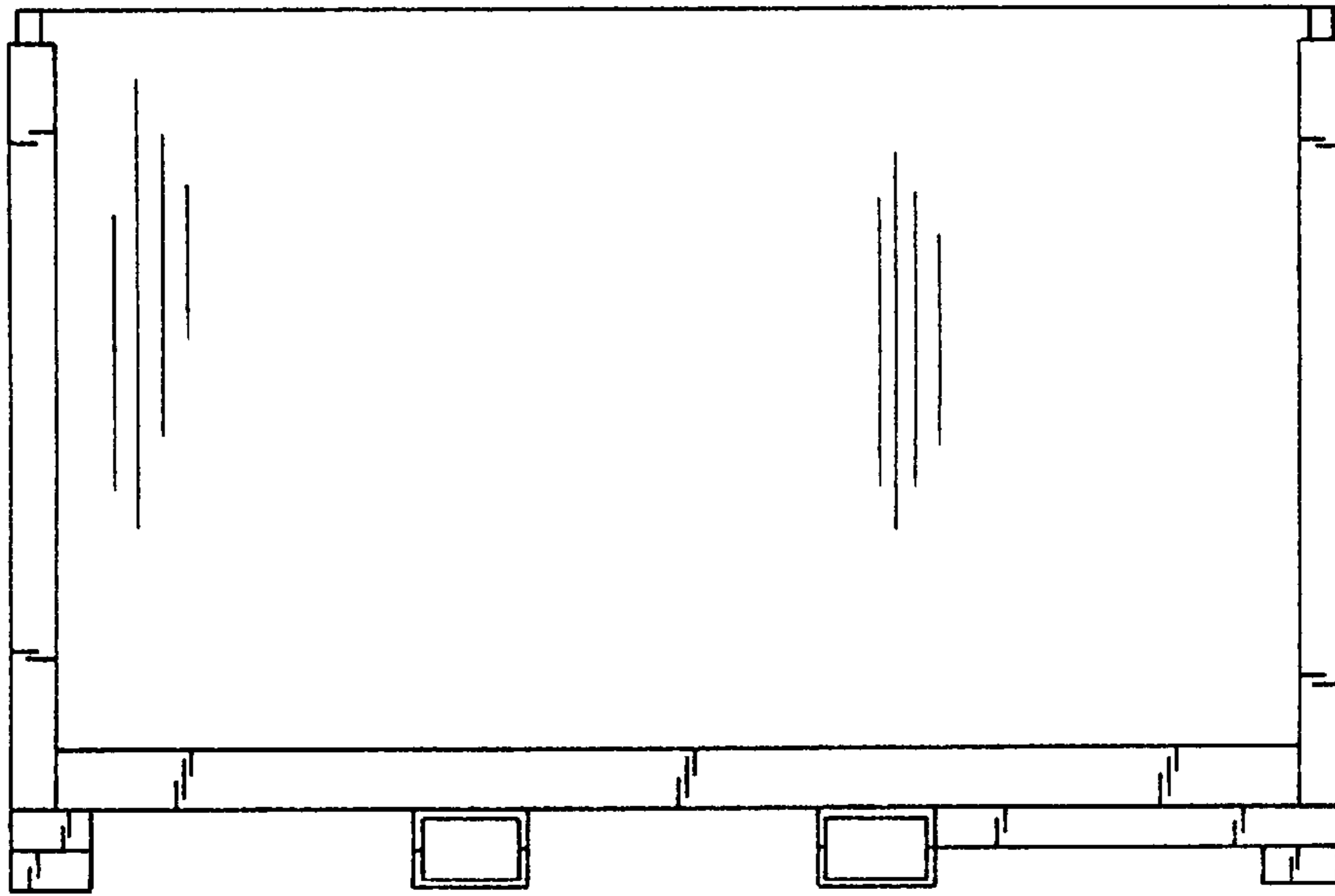




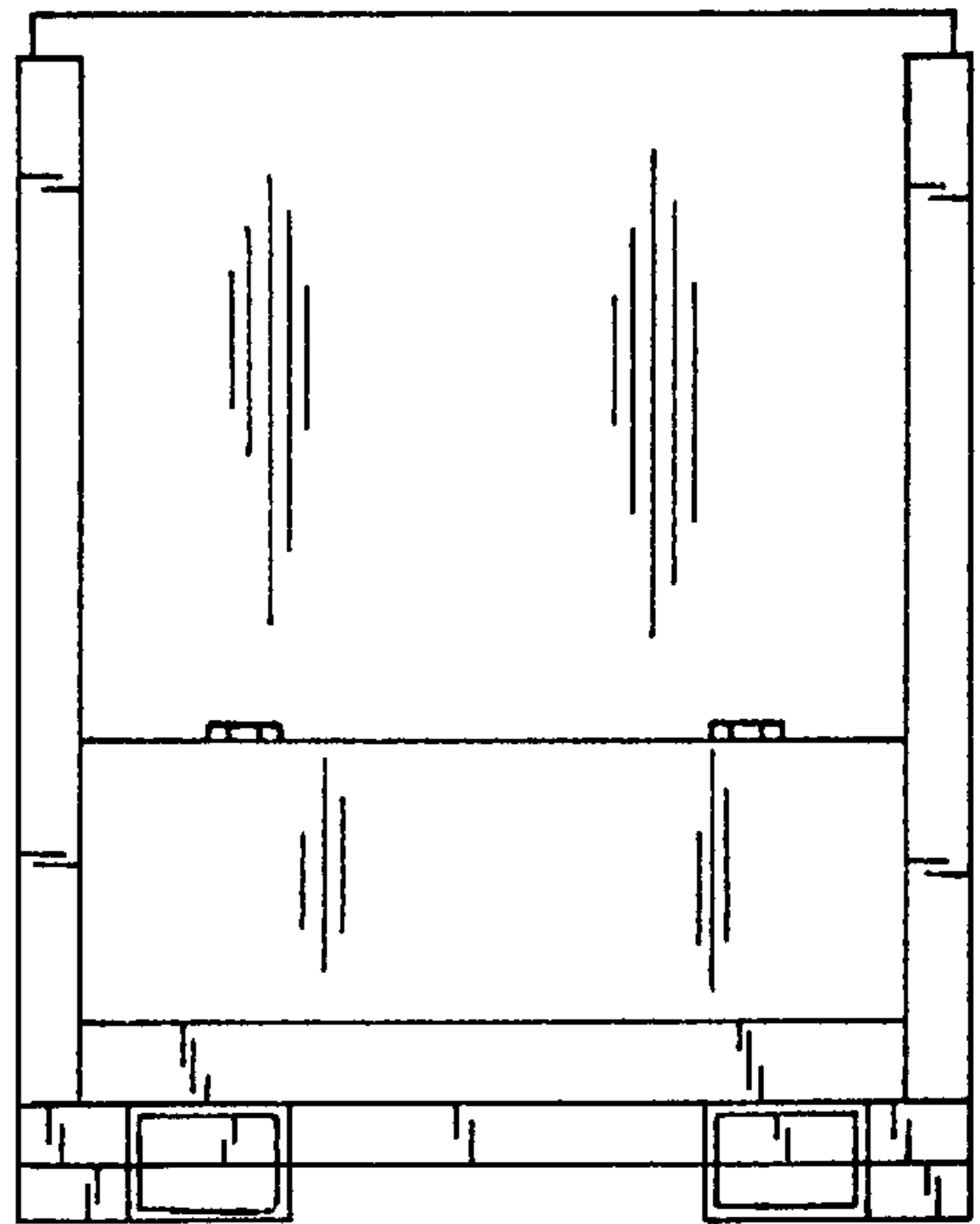
*Fig. 1*



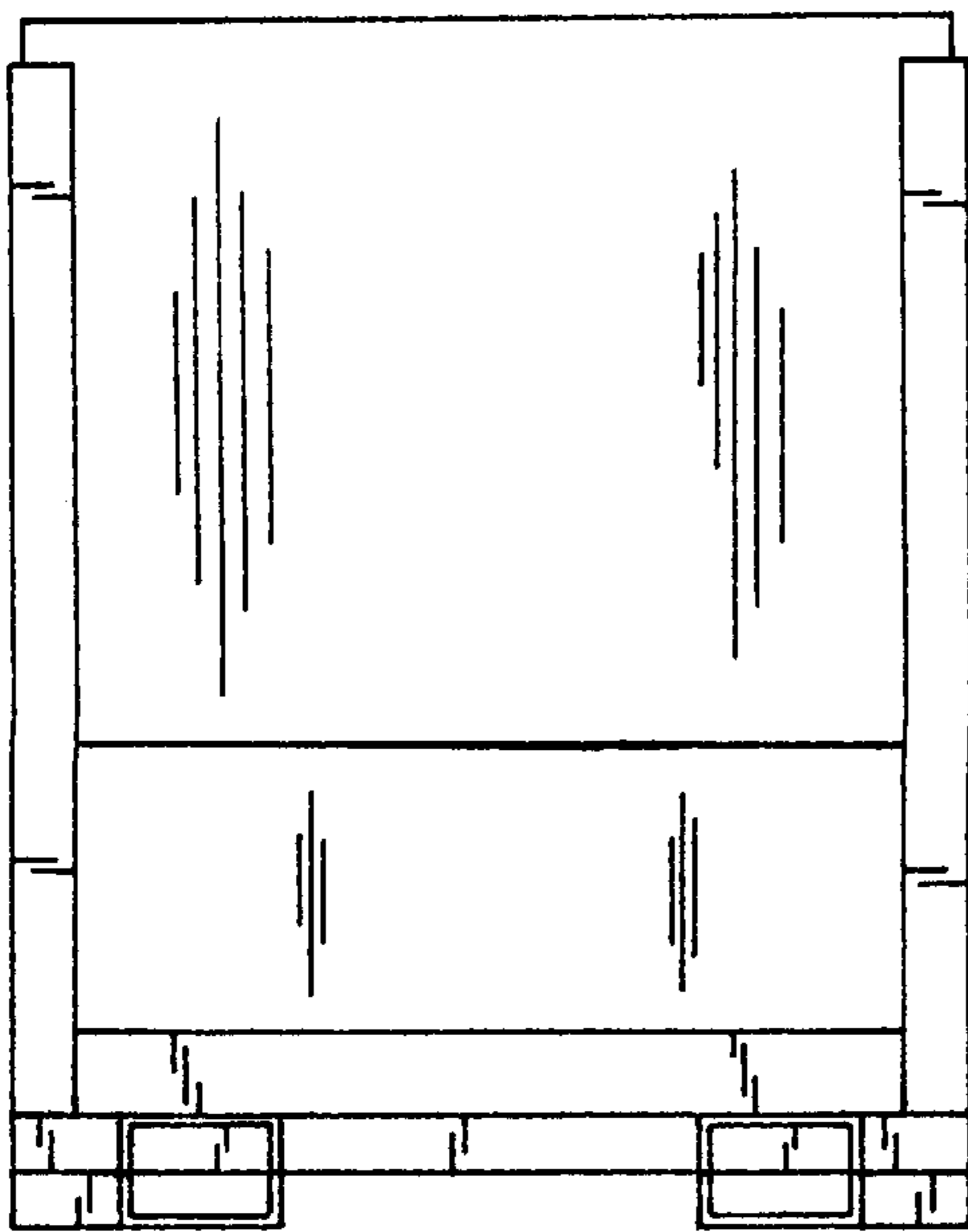
*Fig. 2*



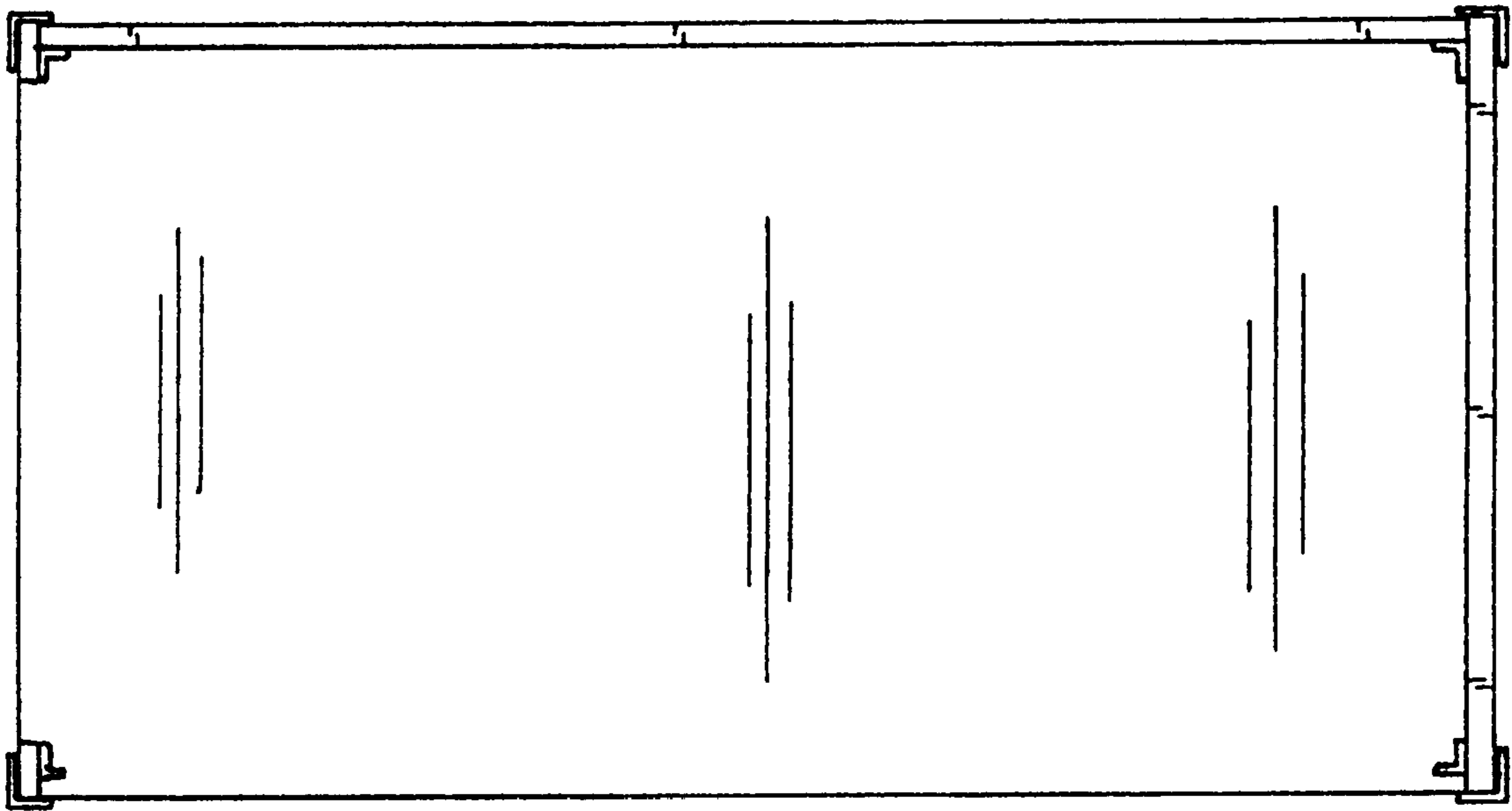
*Fig. 3*



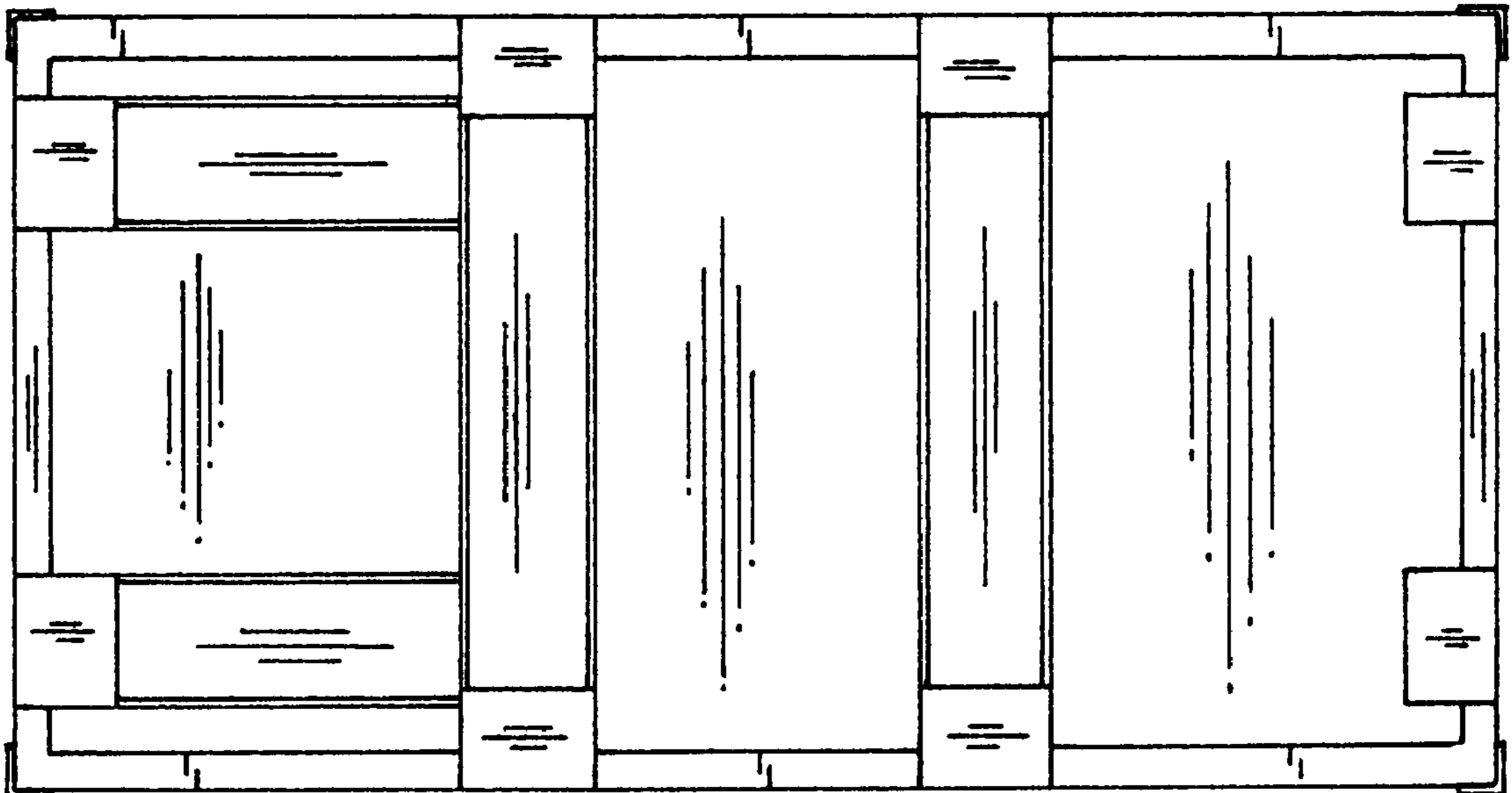
*Fig. 7*



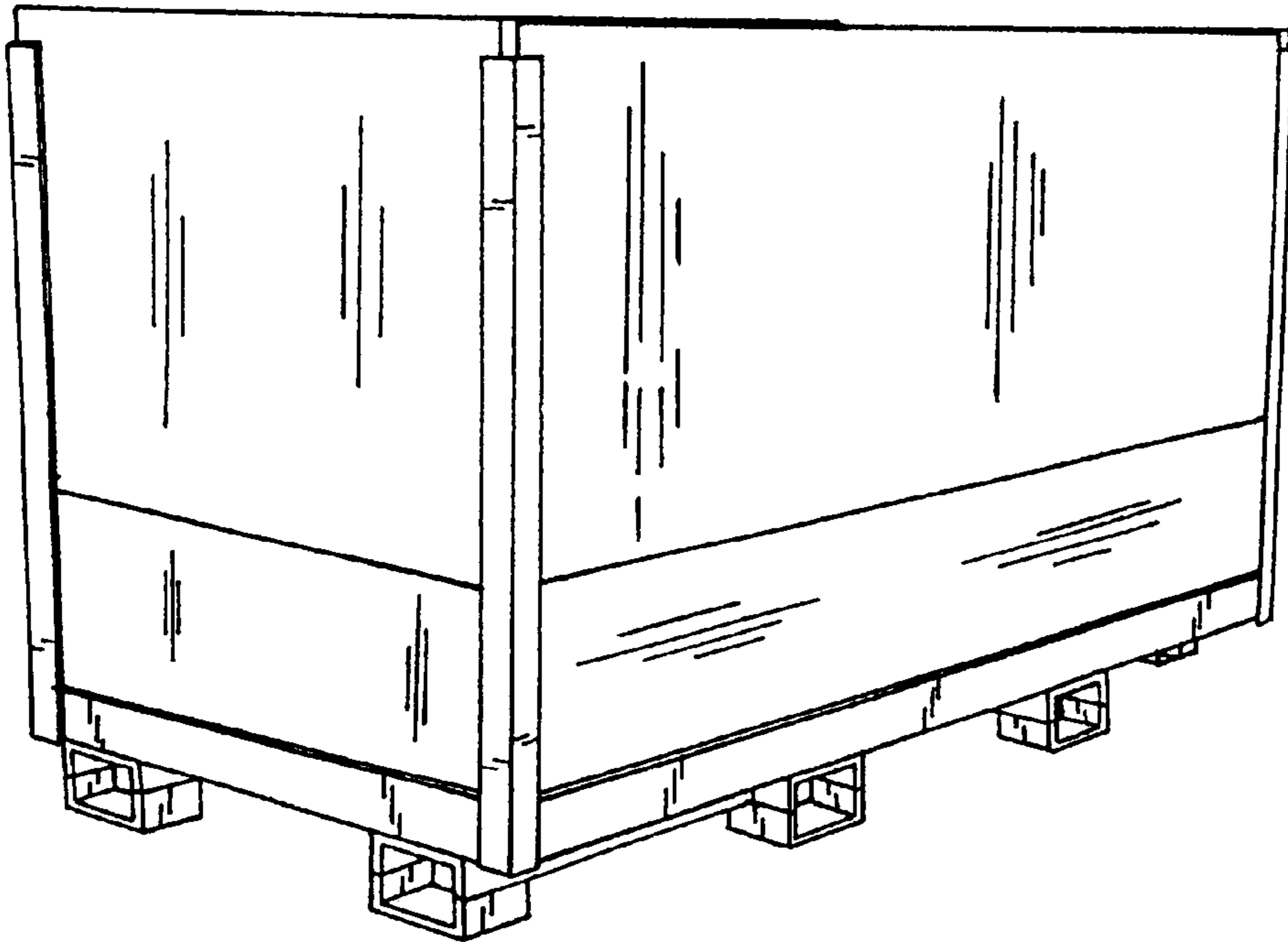
*Fig. 4*



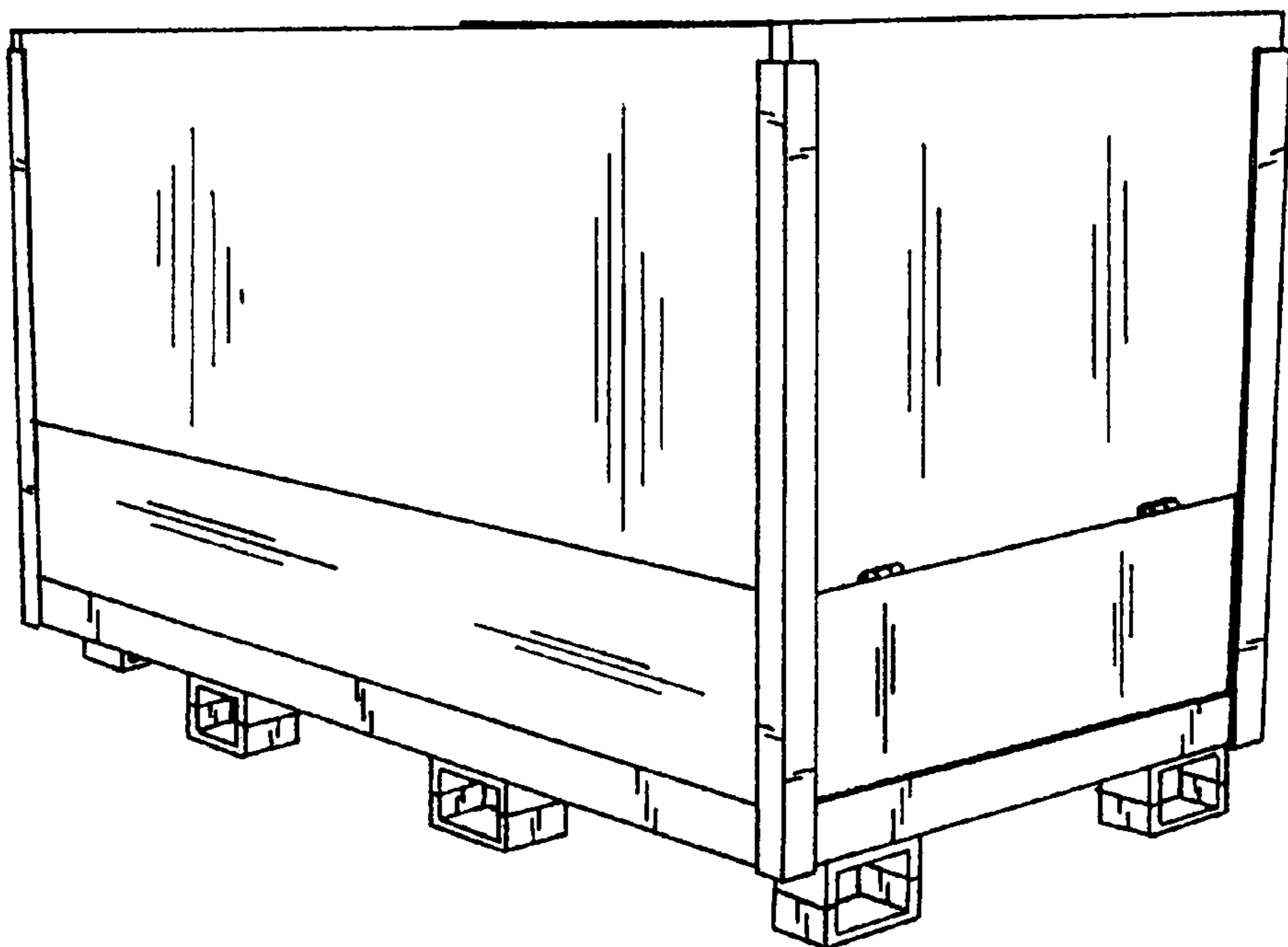
*Fig. 5*



*Fig. 6*



*Fig. 8*



*Fig. 9*