



US00D434198S

United States Patent [19] Greaves

[11] Patent Number: Des. 434,198

[45] Date of Patent: ** Nov. 21, 2000

[54] **INVALID LIFTING DEVICE**
[75] Inventor: **John Greaves**, Romsey, United Kingdom
[73] Assignee: **Arjo Limited**, Gloucester, United Kingdom
[**] Term: **14 Years**

4,287,619 9/1981 Brewer et al. 5/81 R
4,809,804 3/1989 Houston et al. 5/81 R
5,193,633 3/1993 Ezenwa 5/81.1
5,355,538 10/1994 Fulford et al. 5/83.1
5,438,722 8/1995 Jayamanne 5/81.1
5,651,149 7/1997 Garman 5/81.1
5,664,266 9/1997 Williams et al. 5/83.1 X
5,697,110 12/1997 Campbell 5/81.1

[21] Appl. No.: **29/114,147**
[22] Filed: **Nov. 19, 1999**

Primary Examiner—Cynthia E. Ramirez
Attorney, Agent, or Firm—Young & Thompson

[30] **Foreign Application Priority Data**
Jun. 18, 1999 [GB] United Kingdom 2084205

[57] **CLAIM**

The ornamental design for an invalid lifting device, as shown and described.

[51] **LOC (7) Cl.** **12-05**
[52] **U.S. Cl.** **D34/28**
[58] **Field of Search** D34/28, 33, 35;
5/81.1 R, 81.1, 83.1, 87.1

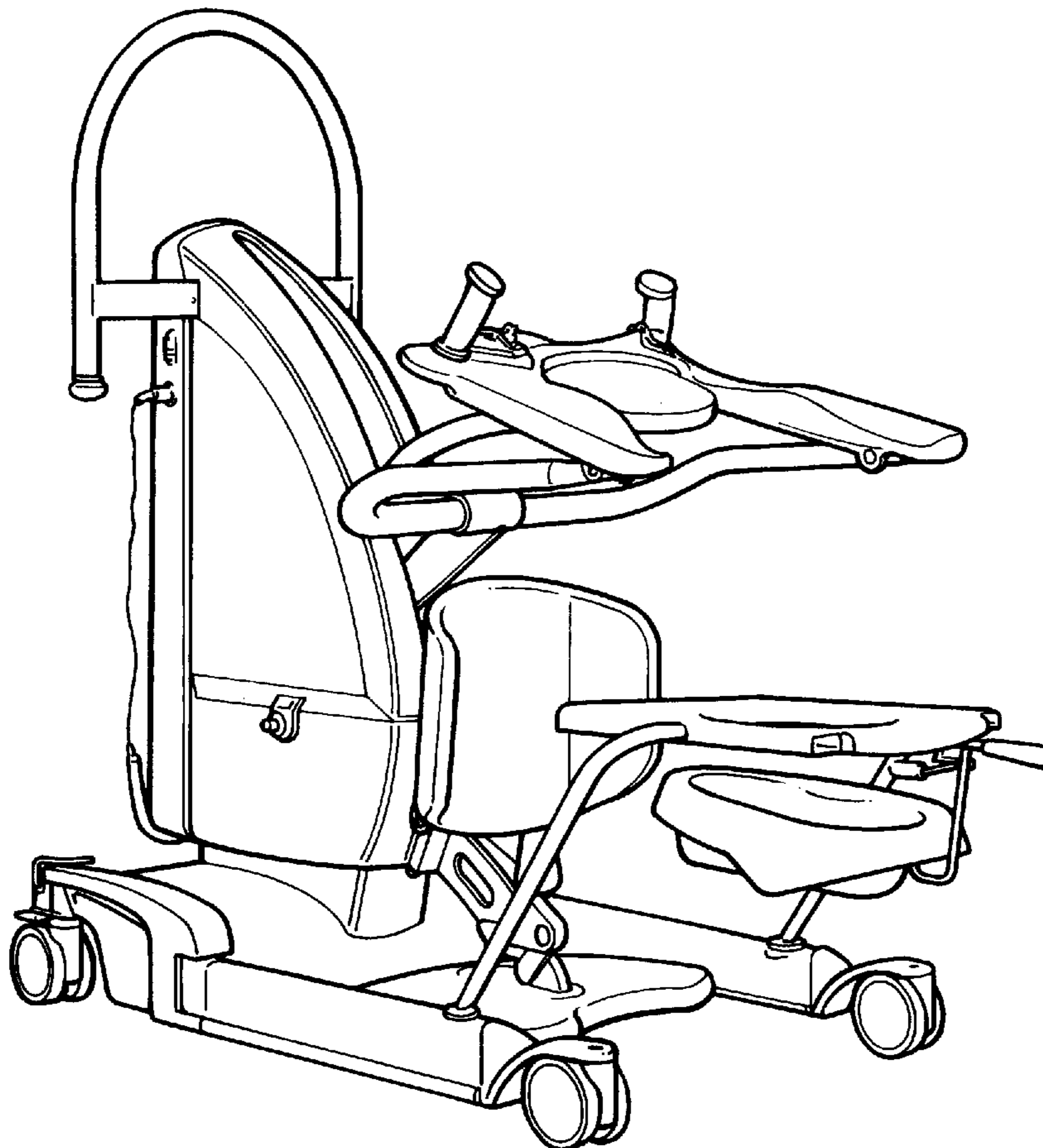
DESCRIPTION

FIG. 1 is a top, front and side perspective view of an invalid lifting device, showing my new device;
FIG. 2 is a top, rear and side perspective view thereof;
FIG. 3 is a side perspective view thereof;
FIG. 4 is a perspective view thereof from the side opposite that shown in FIG. 3;
FIG. 5 is a top plan view thereof;
FIG. 6 is a front and top perspective view thereof;
FIG. 7 is a top and rear perspective view thereof; and,
FIG. 8 is a view similar to FIG. 1 but showing the device in an alternative position.

[56] **References Cited**
U.S. PATENT DOCUMENTS

D. 306,368 2/1990 Daugherty D34/28
D. 327,762 7/1992 Silbersky et al. D34/28
D. 346,251 4/1994 Morooka D34/28 X
D. 347,720 6/1994 Tamura et al. D34/28
D. 402,434 12/1998 Votel D34/28
2,509,551 5/1950 Wood 5/81.1 R

1 Claim, 5 Drawing Sheets



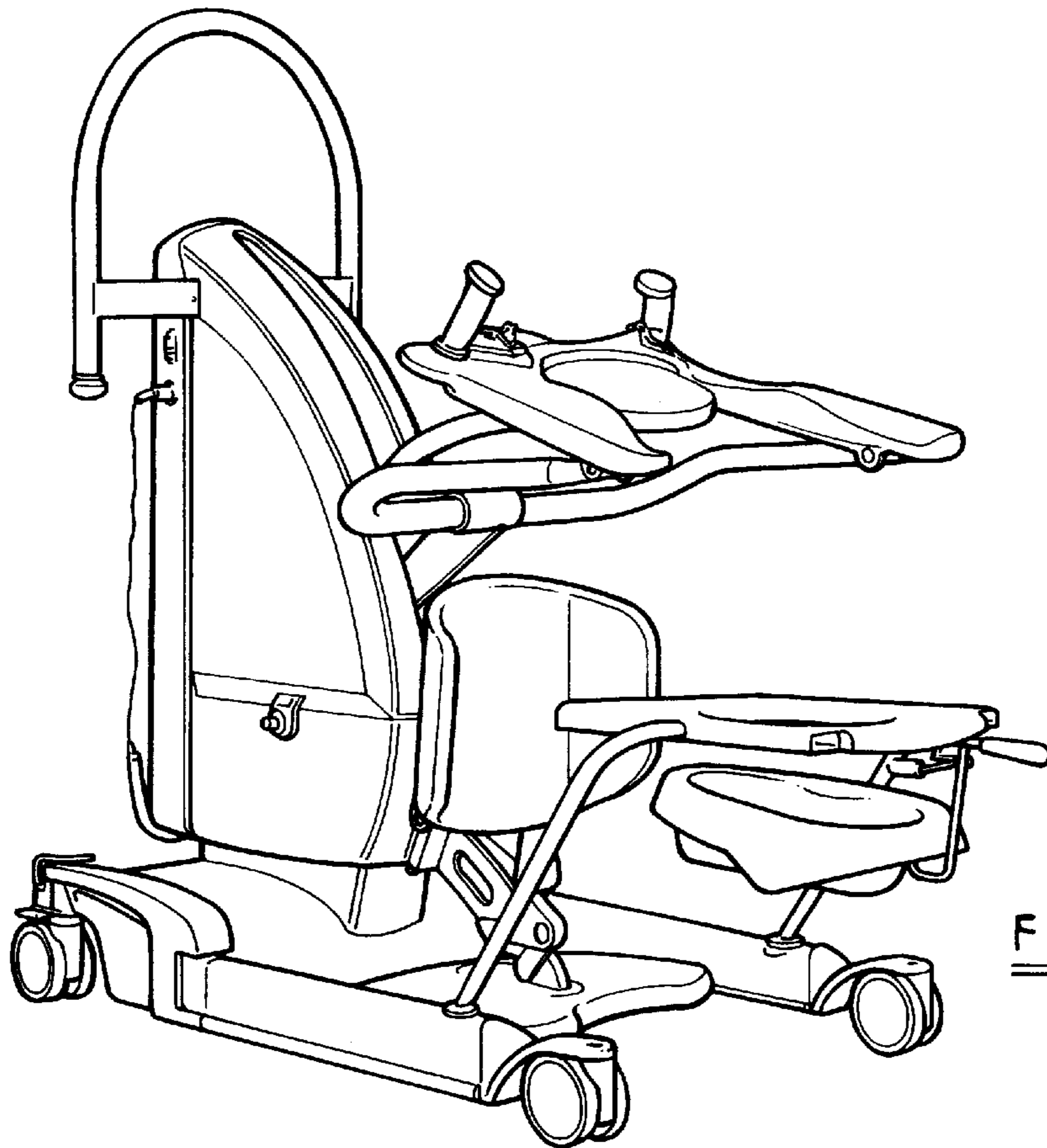


FIG 1

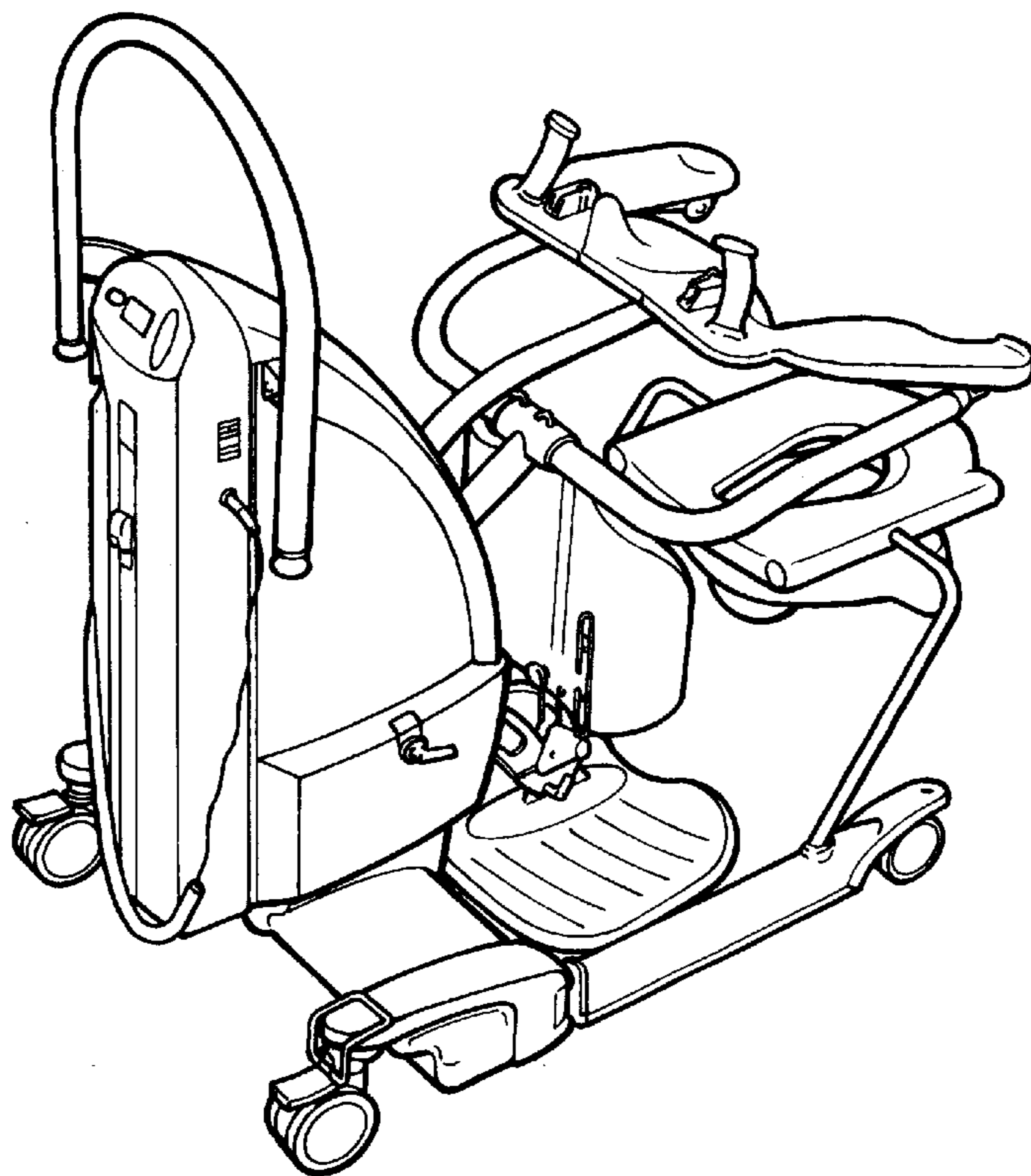


FIG 2

FIG 3

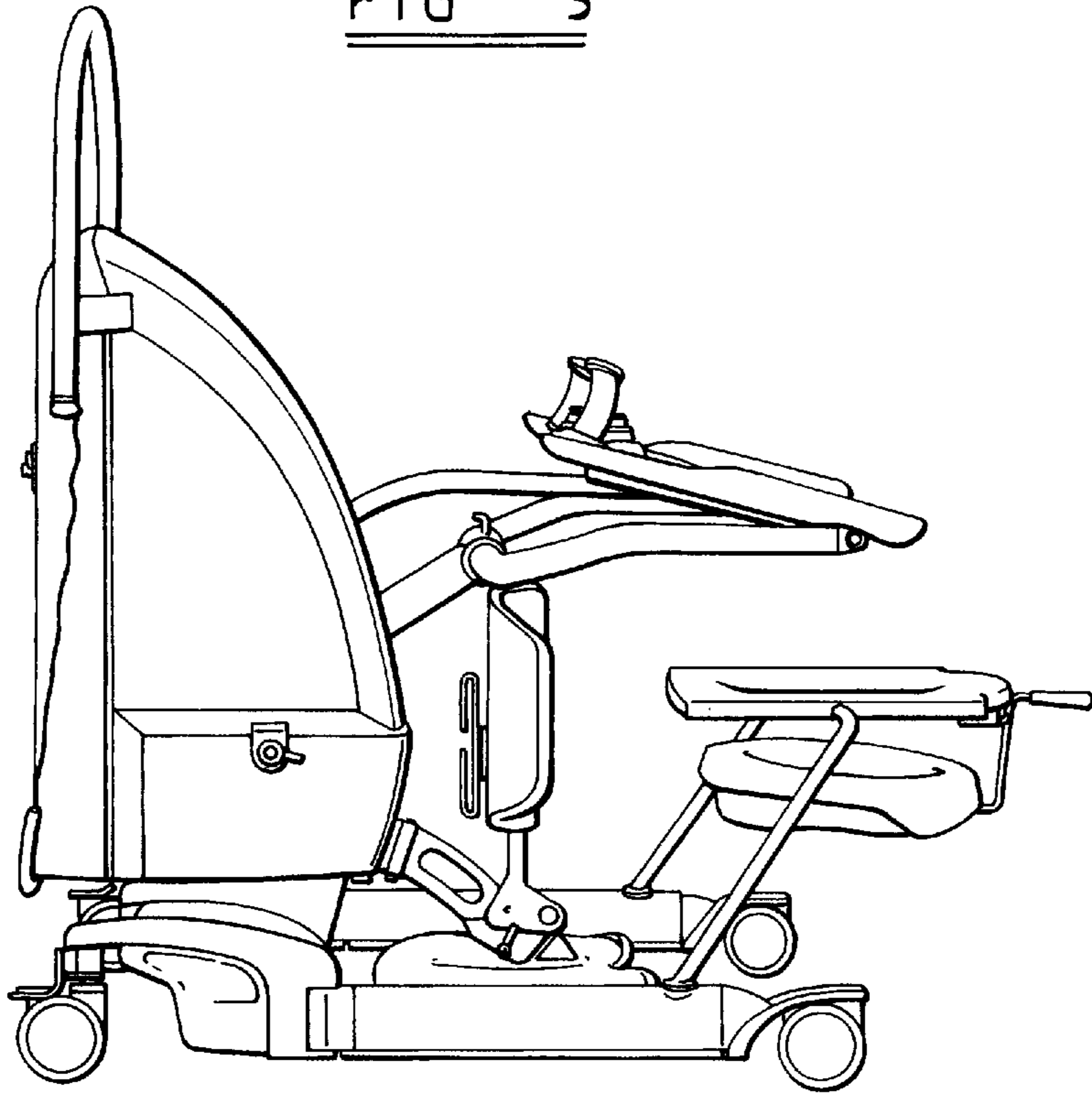
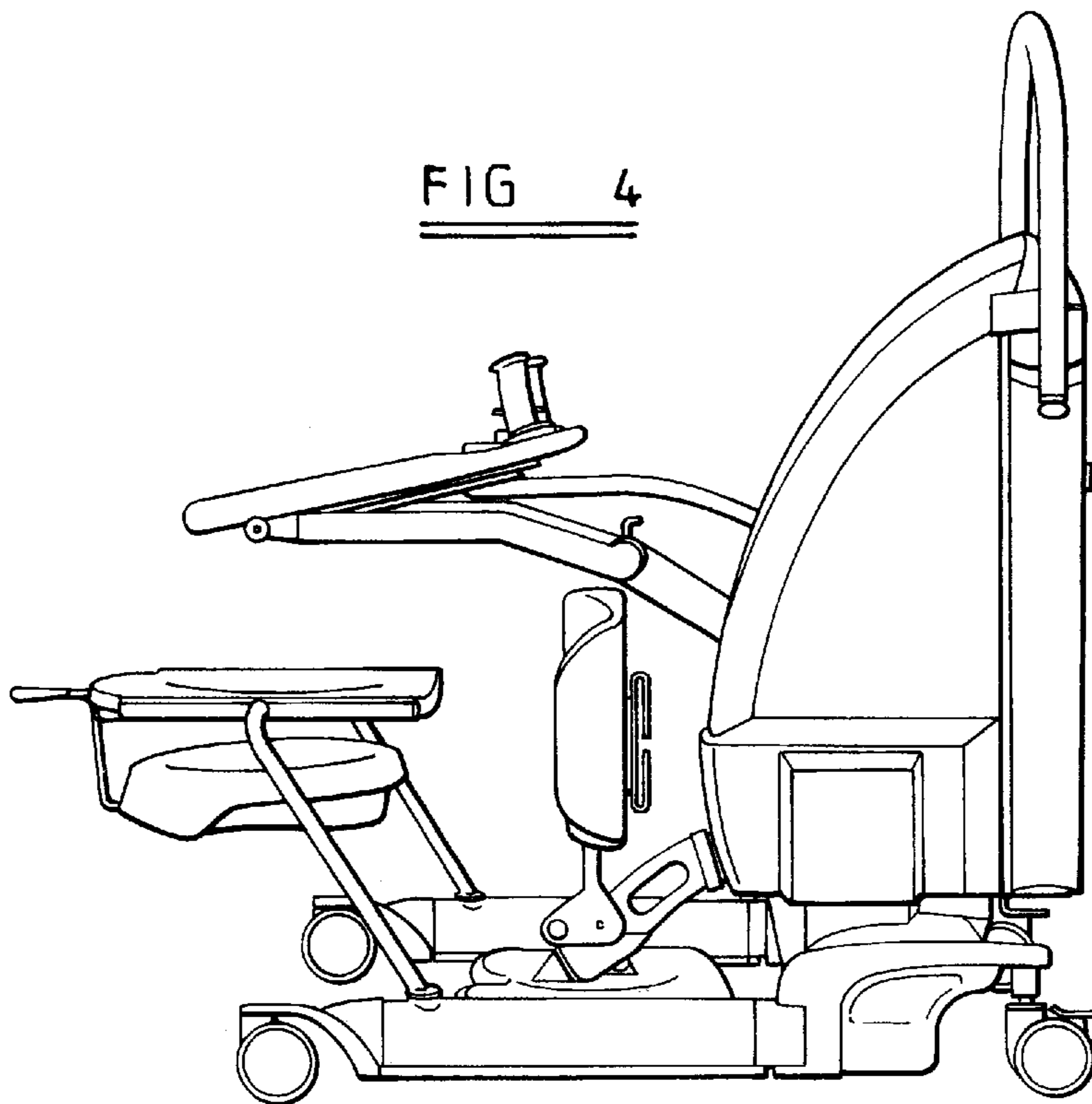


FIG 4



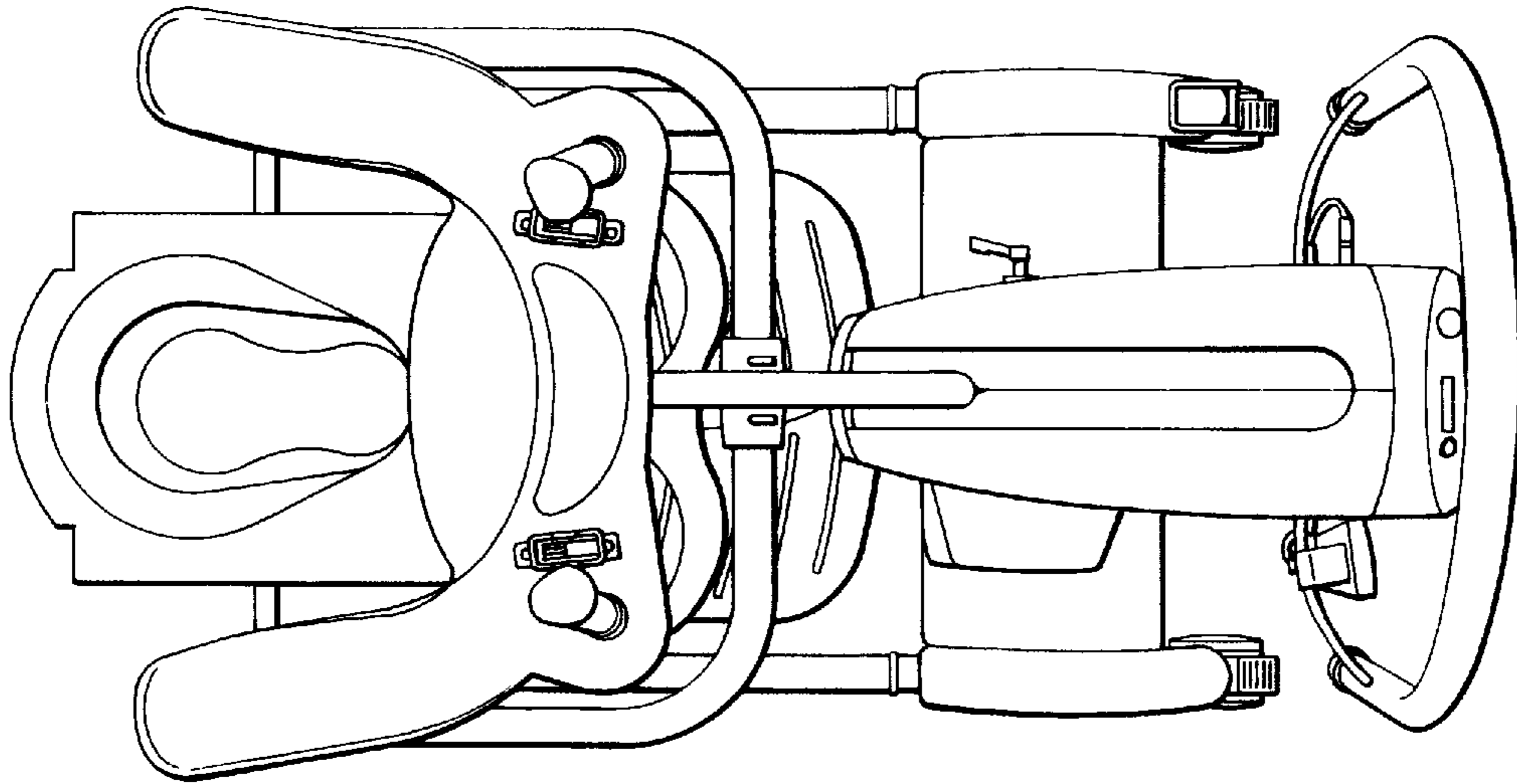


FIG 5

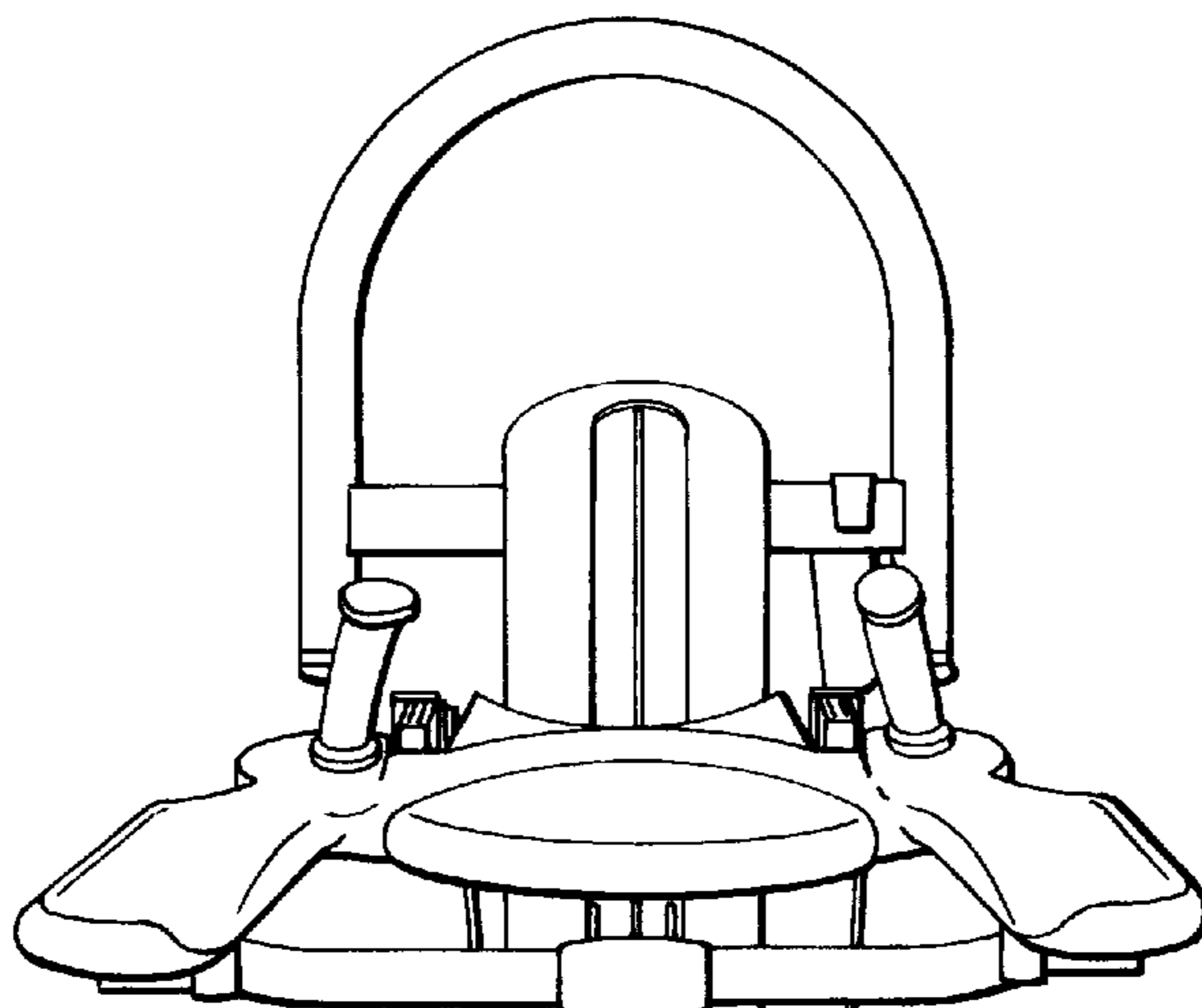
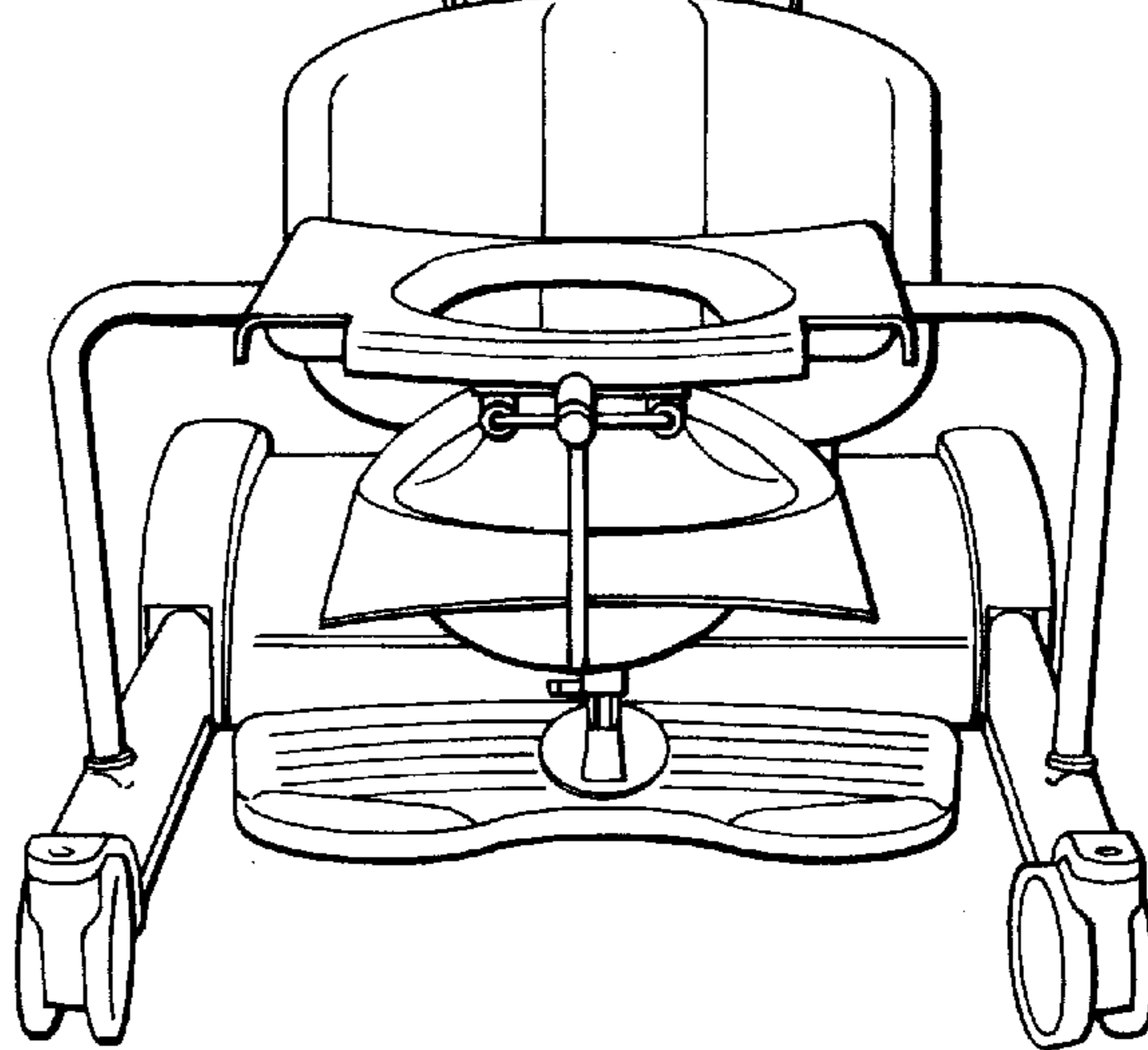


FIG 6



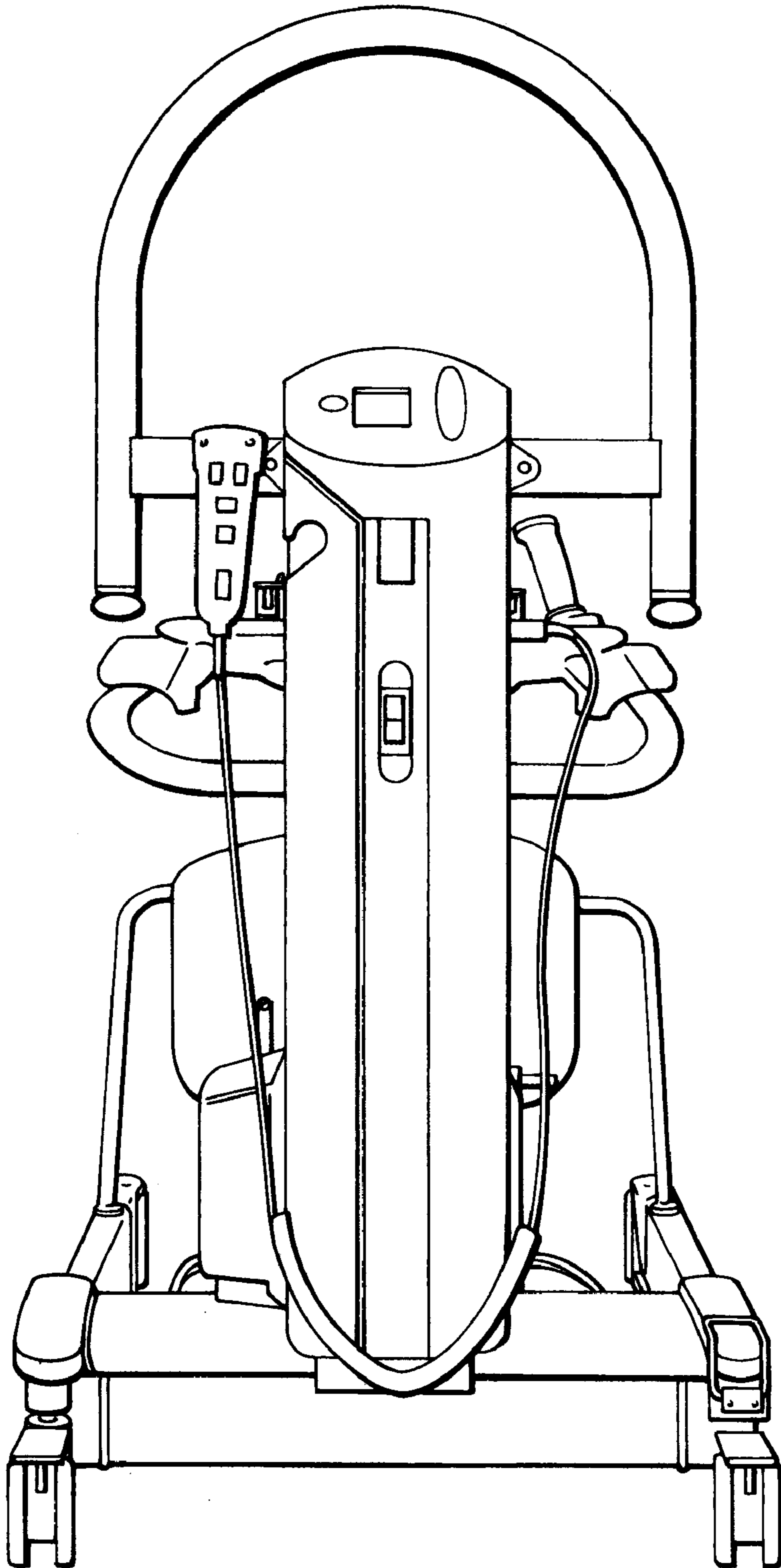


FIG 7

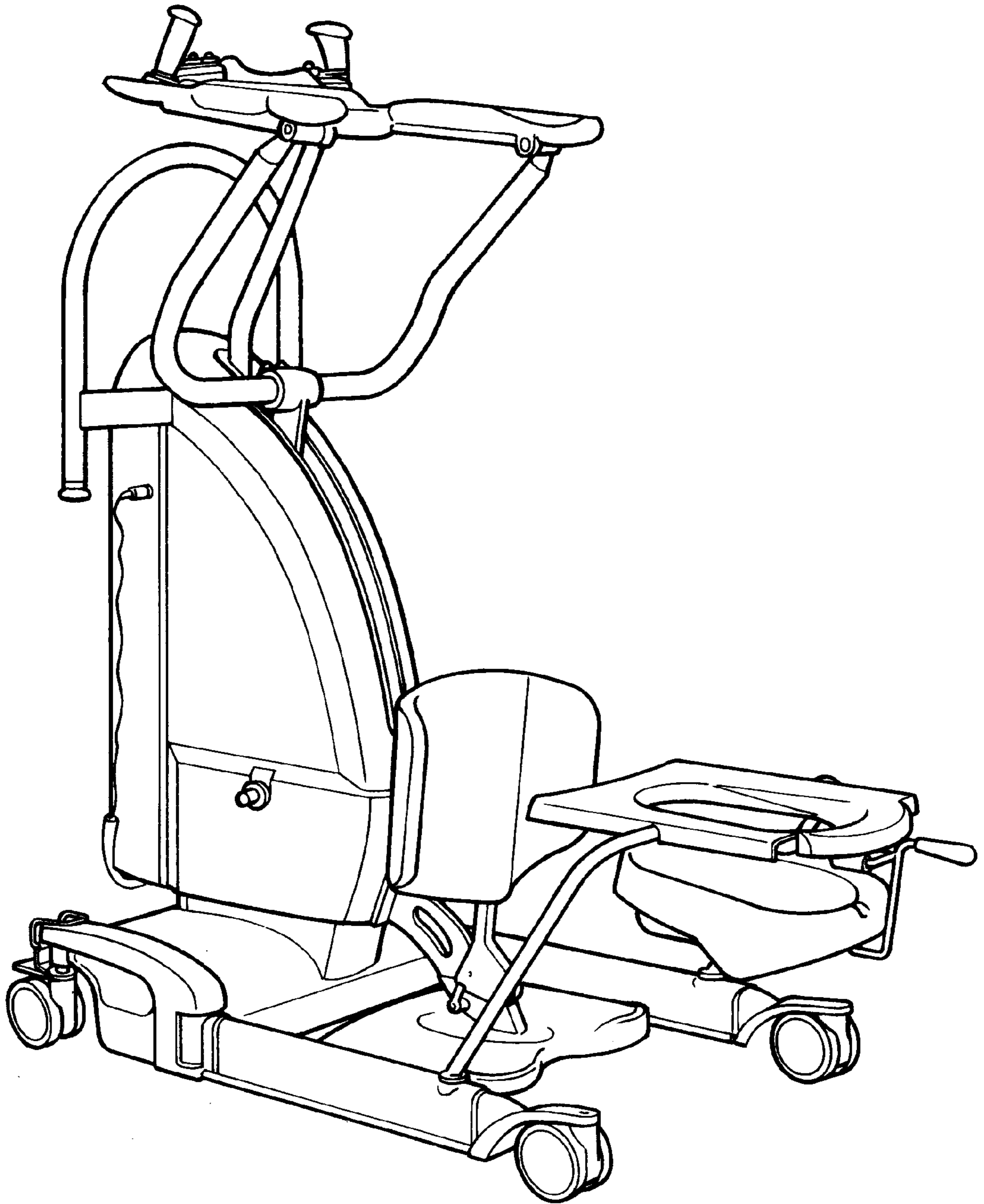


FIG 8