



US00D434195S

United States Patent [19] Brosher

[11] **Patent Number: Des. 434,195**

[45] **Date of Patent: ** Nov. 21, 2000**

[54] **UPPER PORTION OF LAUNDRY ENCLOSURE PANEL**

[75] Inventor: **Rodney D. Brosher**, Smyrna, Tenn.

[73] Assignee: **CoCoMo, LLC**, Hopkinsville, Ky.

[**] Term: **14 Years**

[21] Appl. No.: **29/104,108**

[22] Filed: **Apr. 28, 1999**

[51] **LOC (7) Cl.** **15-05**

[52] **U.S. Cl.** **D32/25**

[58] **Field of Search** D32/1, 25; 137/360, 137/312, 314; 4/614, 613, 251.1

4,410,004 10/1983 Kifer et al. 137/360
 4,423,528 1/1984 Wiedmeier .
 4,539,721 9/1985 Moore .
 4,716,925 1/1988 Prather .
 4,716,928 1/1988 Prather 137/360
 4,765,360 8/1988 Baird .
 5,319,903 6/1994 Holland .
 5,437,303 8/1995 Johnson 137/360
 5,467,562 11/1995 Holland .

Primary Examiner—Mitchell Siegel
Attorney, Agent, or Firm—Waddey & Patterson; I. C. Waddey, Jr.

[57] CLAIM

Th ornamental design for a upper portion of laundry enclosure panel, as shown and described.

[56] References Cited

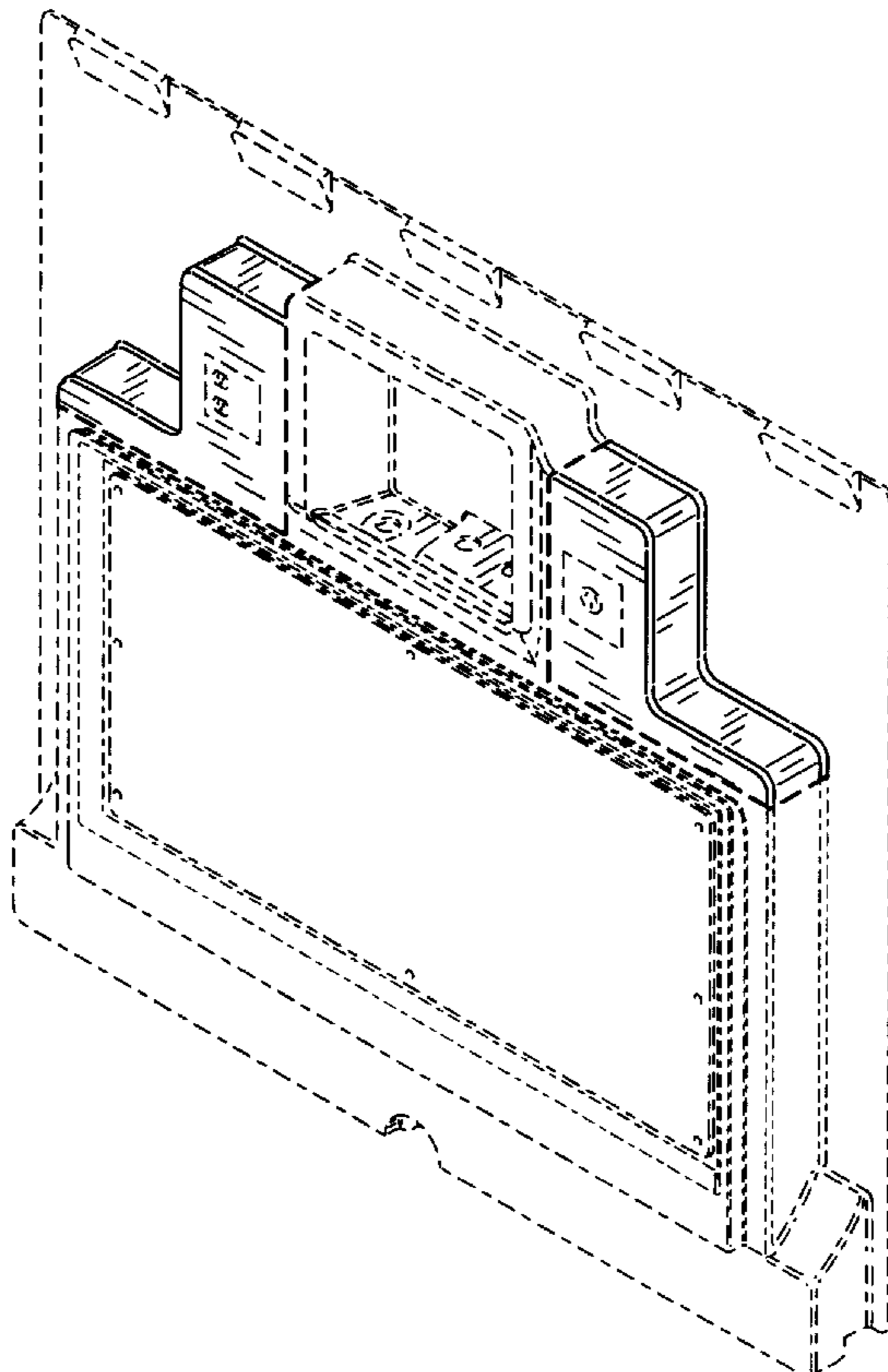
U.S. PATENT DOCUMENTS

D. 299,523 1/1989 Poulin .
 D. 337,154 7/1993 Simpson et al. .
 2,389,724 11/1945 Falco .
 2,952,271 9/1960 Dick et al. 137/360
 3,096,781 7/1963 Roidt .
 3,148,698 9/1964 Arnold 137/360
 3,186,427 6/1965 Martin et al. .
 3,263,242 8/1966 Will .
 3,304,950 2/1967 Hubert .
 3,800,335 4/1974 Buonauro .
 3,895,398 7/1975 Mustee .
 3,996,959 12/1976 Caruth 137/360
 4,069,837 1/1978 Jirasek 137/360

DESCRIPTION

FIG. 1 is a front perspective view showing the upper portion of laundry enclosure panel of Applicant's invention.
 FIG. 2 is a front elevation of the upper portion of laundry enclosure panel of Applicant's invention.
 FIG. 3 is a side elevation of the upper portion of laundry enclosure panel of Applicant's invention, both sides being identical; and,
 FIG. 4 is a top elevation of the upper portion of laundry enclosure panel of Applicant's invention.
 The broken line showing is for illustrative purposes only and forms no part of the claimed design.

1 Claim, 2 Drawing Sheets



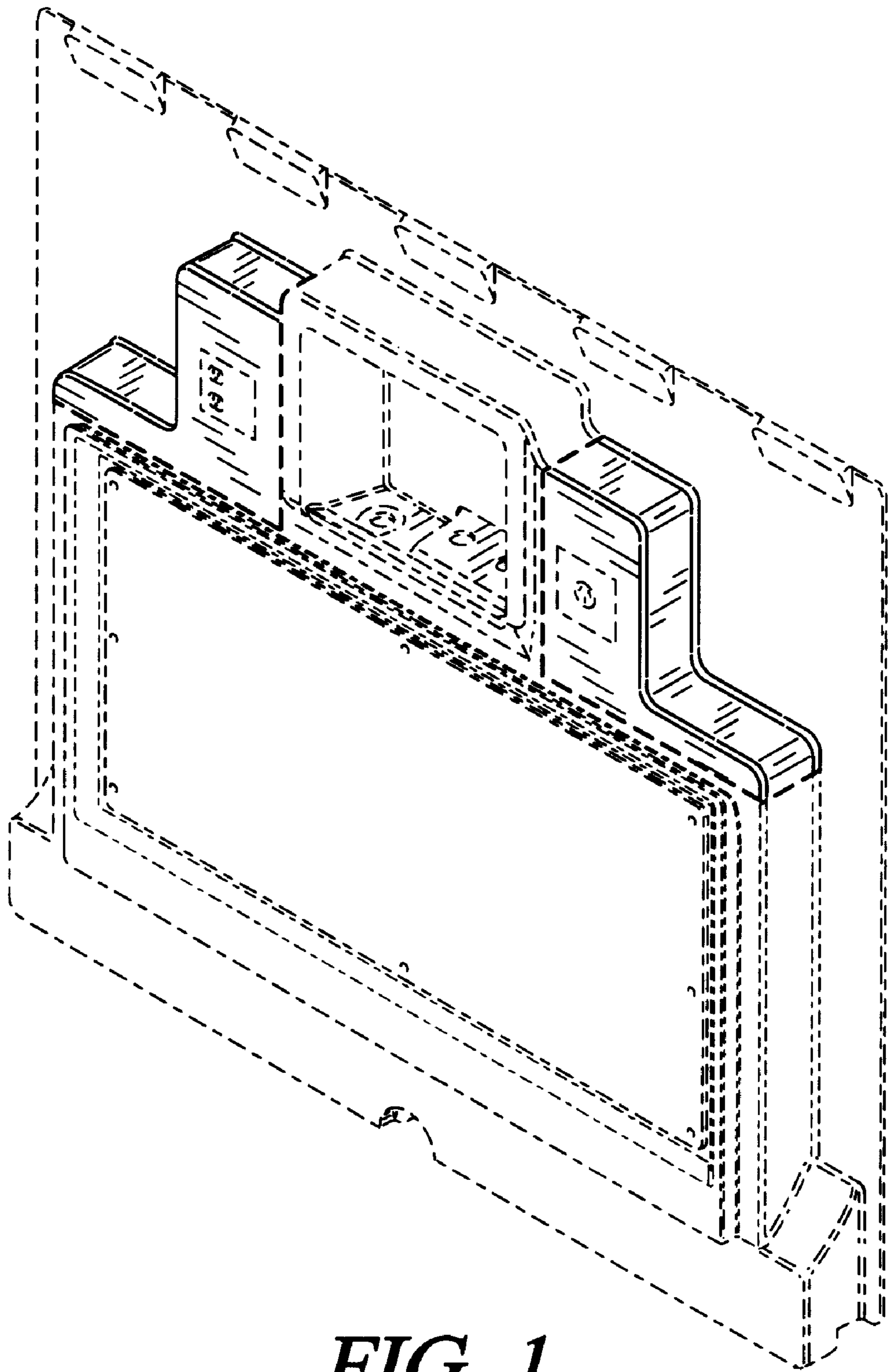


FIG. 1

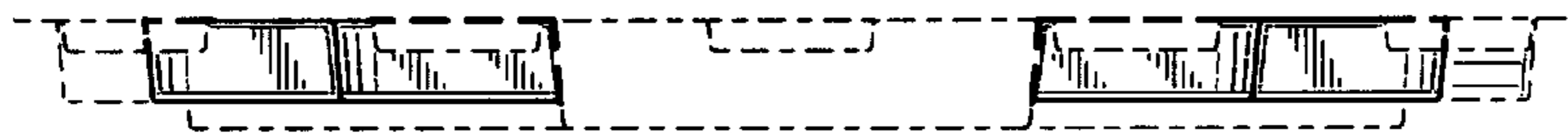


FIG. 4

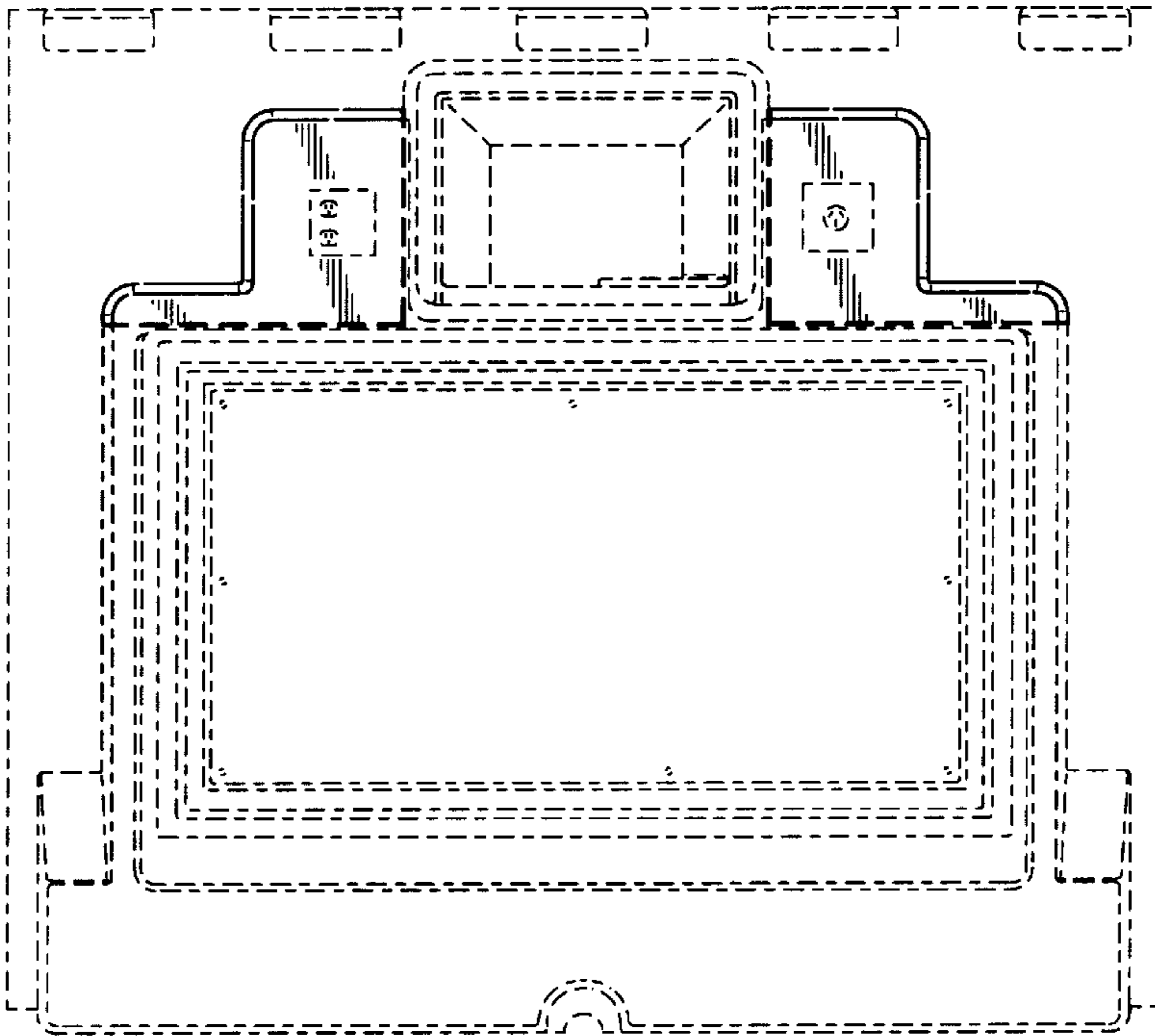


FIG. 2



FIG. 3