



US00D434191S

United States Patent [19] Emilsson

[11] Patent Number: **Des. 434,191**

[45] Date of Patent: **** Nov. 21, 2000**

[54] **EAR PROTECTION**

[75] Inventor: **Niklas Emilsson**, Rydaholm, Sweden

[73] Assignee: **Peltor AB**, Varnamo, Sweden

[**] Term: **14 Years**

[21] Appl. No.: **29/098,506**

[22] Filed: **Dec. 31, 1998**

[30] **Foreign Application Priority Data**

Jul. 2, 1998 [SE] Sweden 98-1346

[51] **LOC (7) Cl.** **29-02**

[52] **U.S. Cl.** **D29/112**

[58] **Field of Search** D29/102, 105,
D29/106, 108, 109-112, 122; D2/865, 866,
869, 880, 891, 895; 2/410, 417-419, 423-424,
9-10, 206, 209, 427; D14/205, 206, 223;
381/370-371, 374, 376, 378-379

[56] **References Cited**

U.S. PATENT DOCUMENTS

- D. 298,670 11/1988 Palmaer D29/112
- D. 313,092 12/1990 Nilsson D14/205
- D. 317,767 6/1991 Banks D14/205
- D. 326,654 6/1992 Brown D14/205

- D. 377,174 1/1997 Runquist D14/206
- D. 411,200 6/1999 Almqvist D29/112
- D. 413,413 8/1999 Dillon et al. D29/112
- 4,069,512 1/1978 Palmaer 2/209
- 4,802,243 2/1989 Griffiths 2/423
- 5,185,807 2/1993 Bergin et al. 381/378
- 5,384,857 1/1995 Nordin et al. 381/378

OTHER PUBLICATIONS

Noise attenuating headsets #H3340 and #H3341 as shown in David Clark Company catalog, p. 7, Jul. 1988.

Primary Examiner—Louis S. Zarfes
Assistant Examiner—Robert A. Delehanty
Attorney, Agent, or Firm—Cantor Colburn LLP

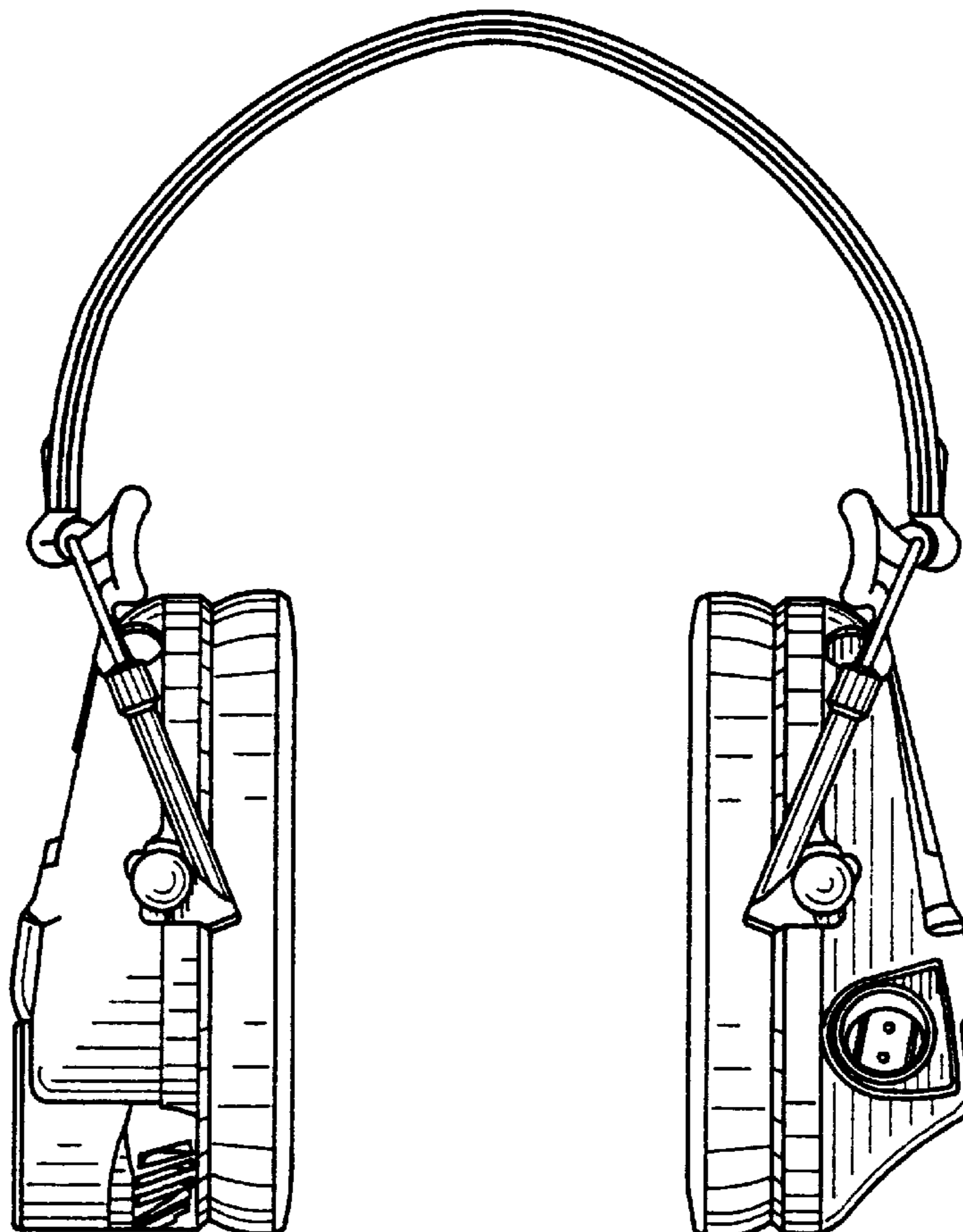
[57] **CLAIM**

The ornamental design of ear protection, as shown and described.

DESCRIPTION

FIG. 1 is a left side elevation view of ear protection of my new design;
FIG. 2 is a front elevation view thereof,
FIG. 3 is a right side elevation view thereof;
FIG. 4 is a rear elevation view thereof;
FIG. 5 is a top plan view thereof; and,
FIG. 6 is a bottom plan view thereof.

1 Claim, 5 Drawing Sheets



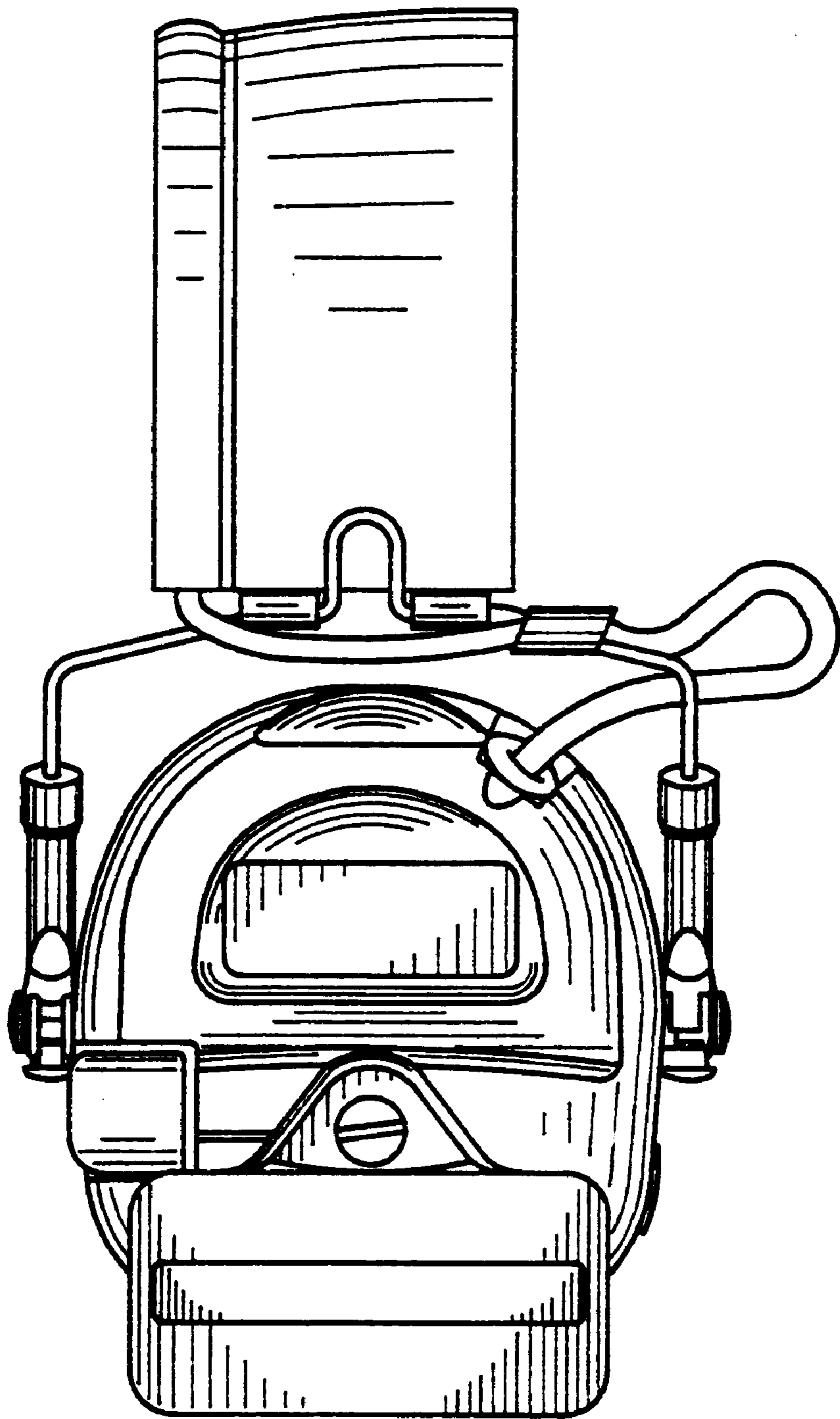


FIG. 1

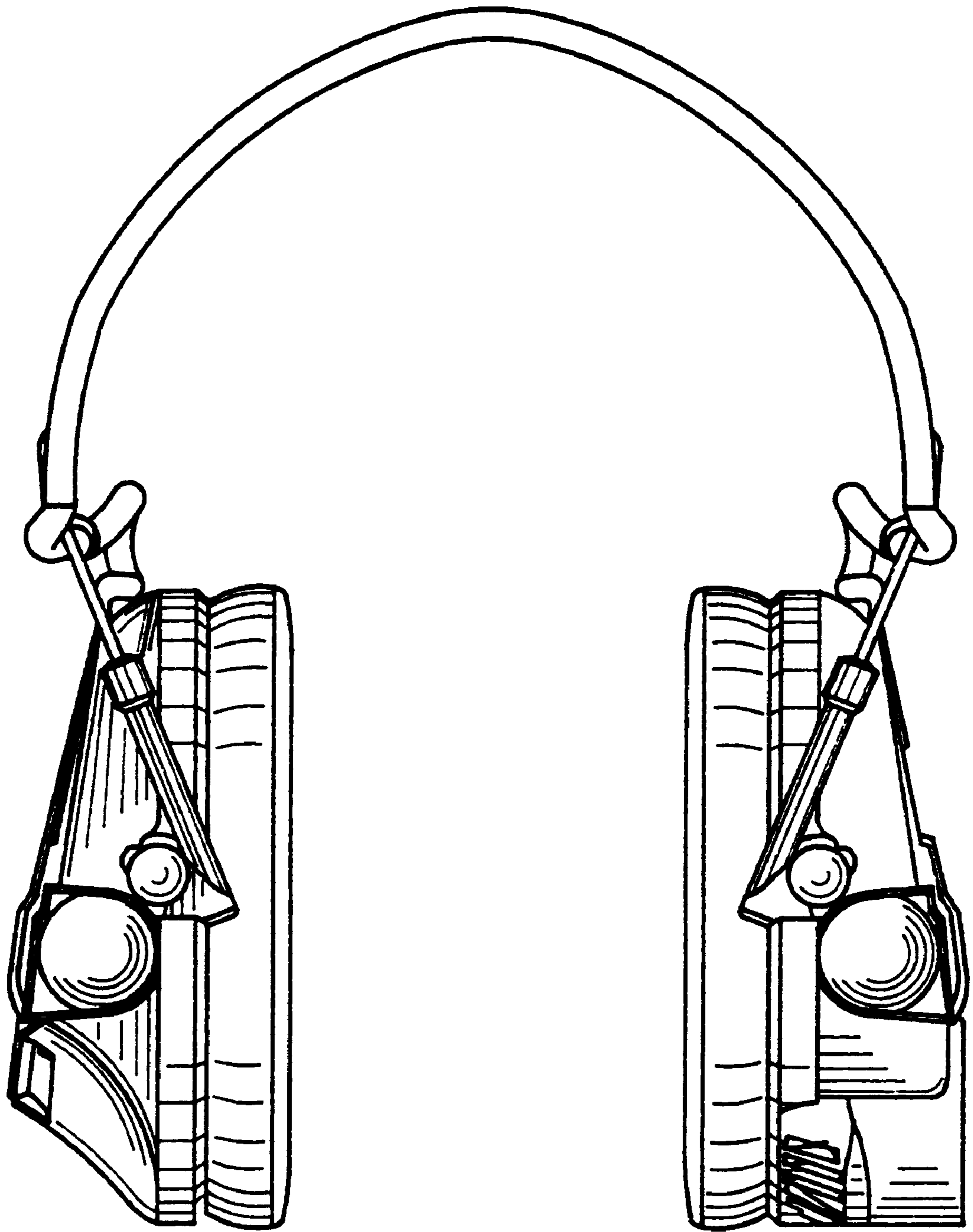


FIG. 2

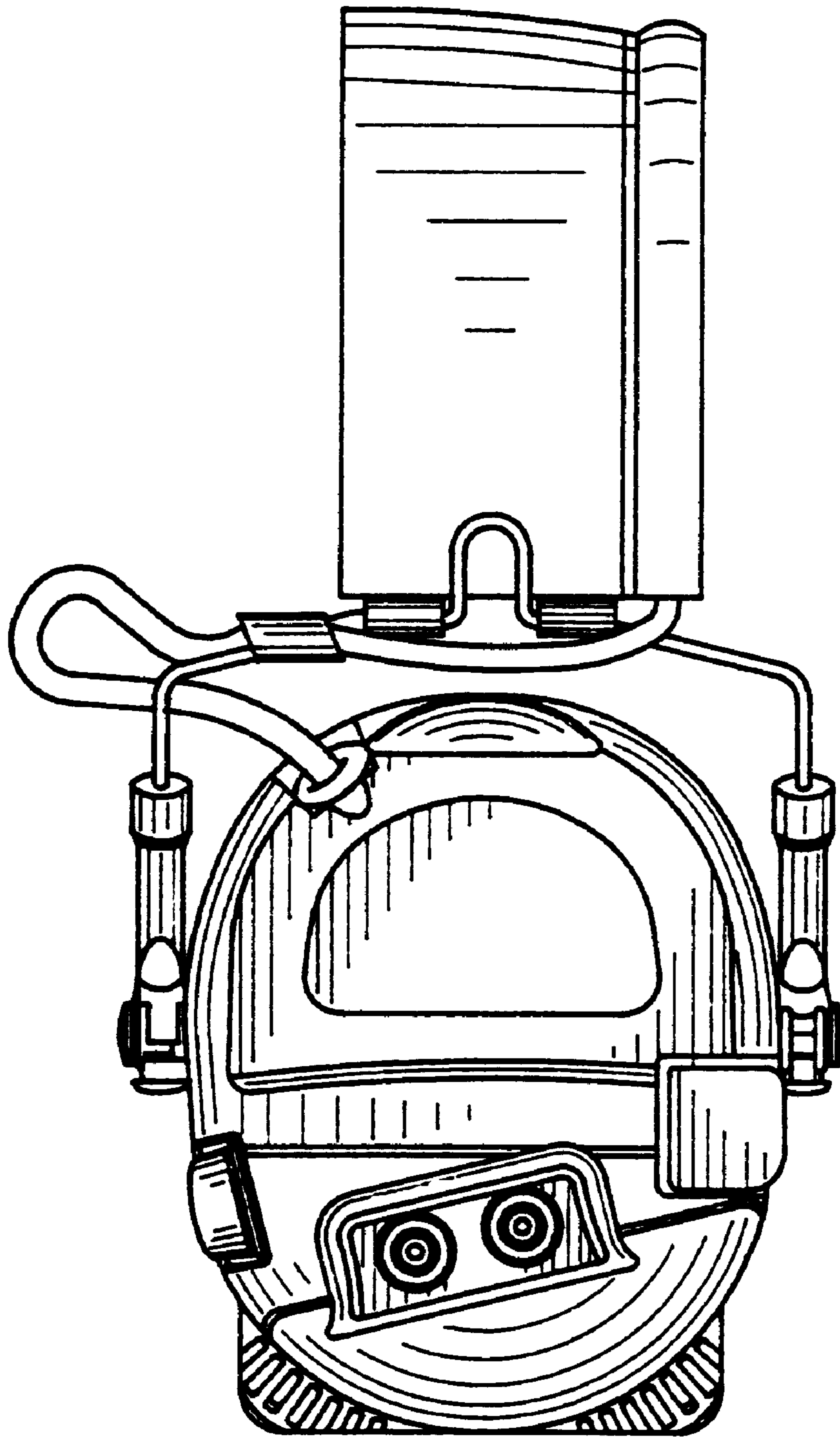


FIG. 3

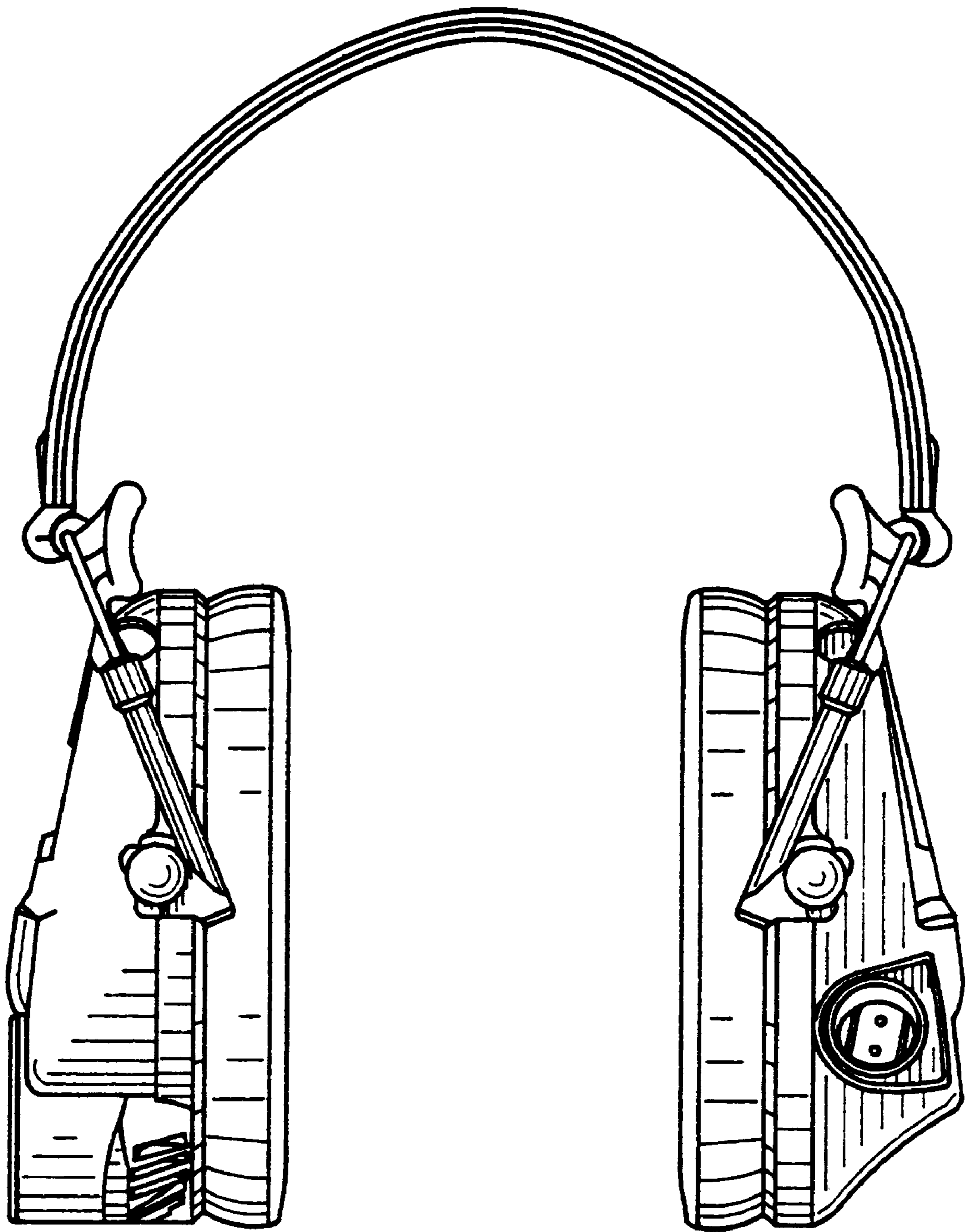


FIG. 4

FIG 5

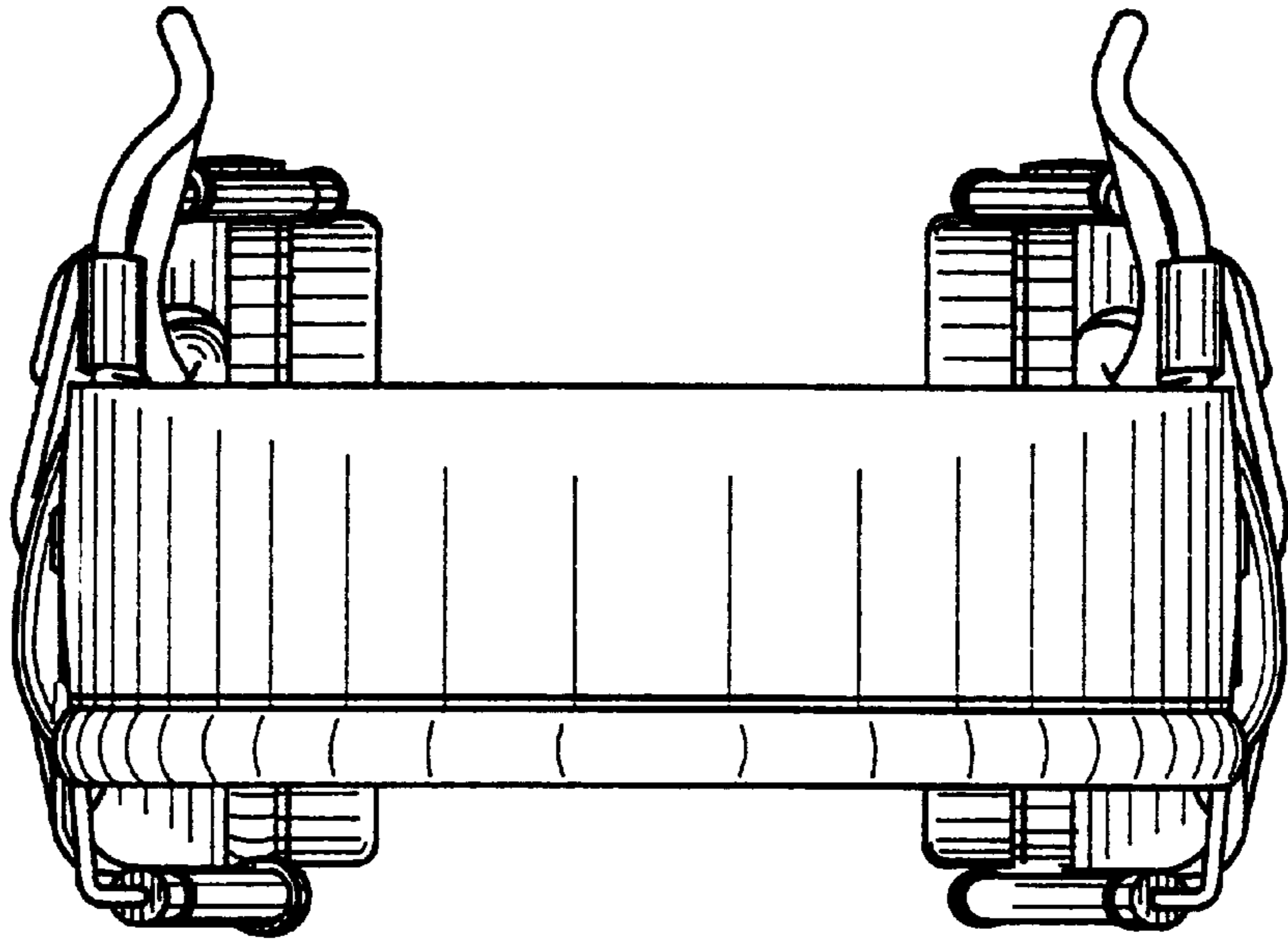


FIG 6

