



US00D434186S

United States Patent [19]

Garland et al.

[11] Patent Number: Des. 434,186

[45] Date of Patent: ** Nov. 21, 2000

[54] PAIR OF SHAVING AID ELEMENTS FOR A RAZOR UNIT

[75] Inventors: Colman C. Garland, Orange; Andrew J. Curello, Hamden; Barry C. Johnson, III, Cheshire, all of Conn.

[73] Assignee: BIC Corporation, Milford, Conn.

[**] Term: 14 Years

[21] Appl. No.: 29/107,322

[22] Filed: Jun. 30, 1999

Related U.S. Application Data

[62] Division of application No. 29/086,894, Apr. 22, 1998.

[51] LOC (7) Cl. 28-03

[52] U.S. Cl. D28/47

[58] Field of Search D28/44-47; 30/32, 30/34.05, 34.2, 41, 48.51, 74.1, 77-83, 538

[56] References Cited

U.S. PATENT DOCUMENTS

D. 298,068	10/1988	Gilder	D28/47
D. 401,014	11/1998	Tseng et al.	D28/47
939,400	11/1909	Diebel	30/64
1,679,670	8/1928	King	30/46
2,083,580	6/1937	Schmitt	30/34.05
2,880,503	4/1959	Carissimi	30/34.2

3,477,127	11/1969	Regan	30/41
3,517,442	6/1970	Regan	30/41
4,944,090	7/1990	Sumnall	30/41
5,134,775	8/1992	Althaus et al.	30/41
5,301,425	4/1994	Ferraro	30/42
5,337,478	8/1994	Cohen et al.	30/41.5
5,546,660	8/1996	Burout et al.	30/50

FOREIGN PATENT DOCUMENTS

85238	11/1998	Canada	.	
551765	1/1923	France	30/83
613883	5/1935	Germany	30/65
91/01204	2/1991	WIPO	30/50

Primary Examiner—Ted Shooman

Assistant Examiner—C Tuttle

[57] CLAIM

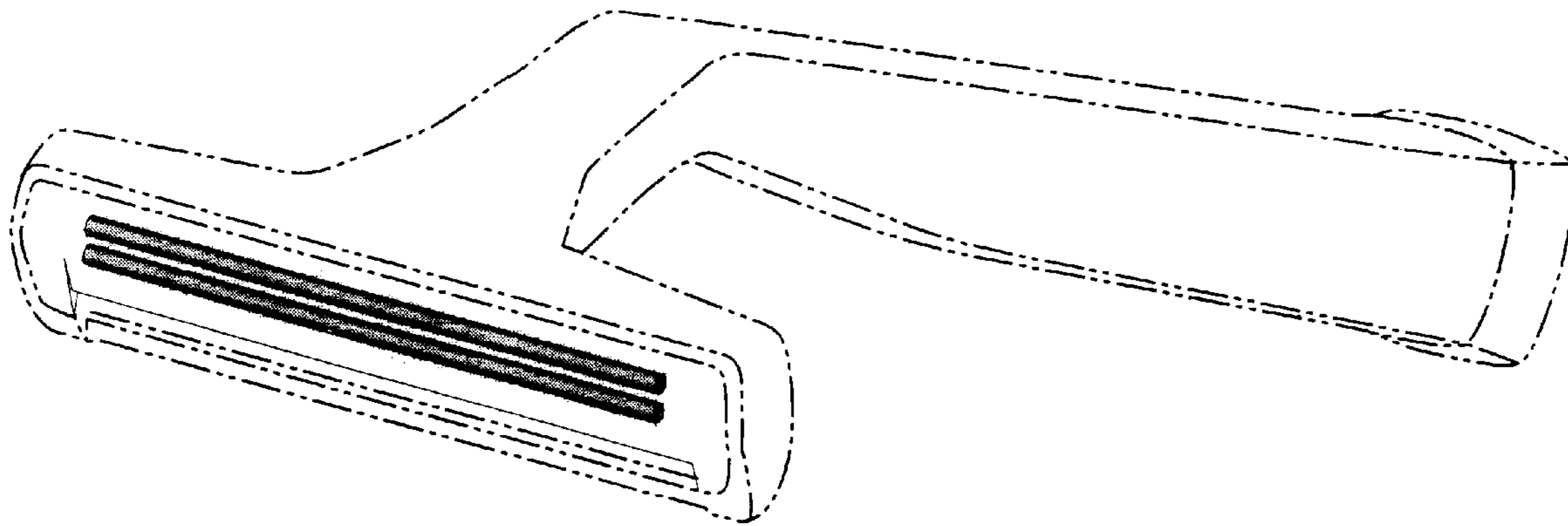
The ornamental design for a pair of shaving aid elements for a razor unit, as shown and described.

DESCRIPTION

FIG. 1 is a perspective view of a pair of multiple shaving aid elements for a razor unit, the elements illustrated in broken lines being shown for illustrative purposes only and forming no part of the claimed design; and, FIG. 2 is a front view of the multiple shaving aid elements of FIG. 1.

The surface(s) or portion(s) of the article not shown in the drawing or described in the specification form(s) no part of the claimed design.

1 Claim, 2 Drawing Sheets



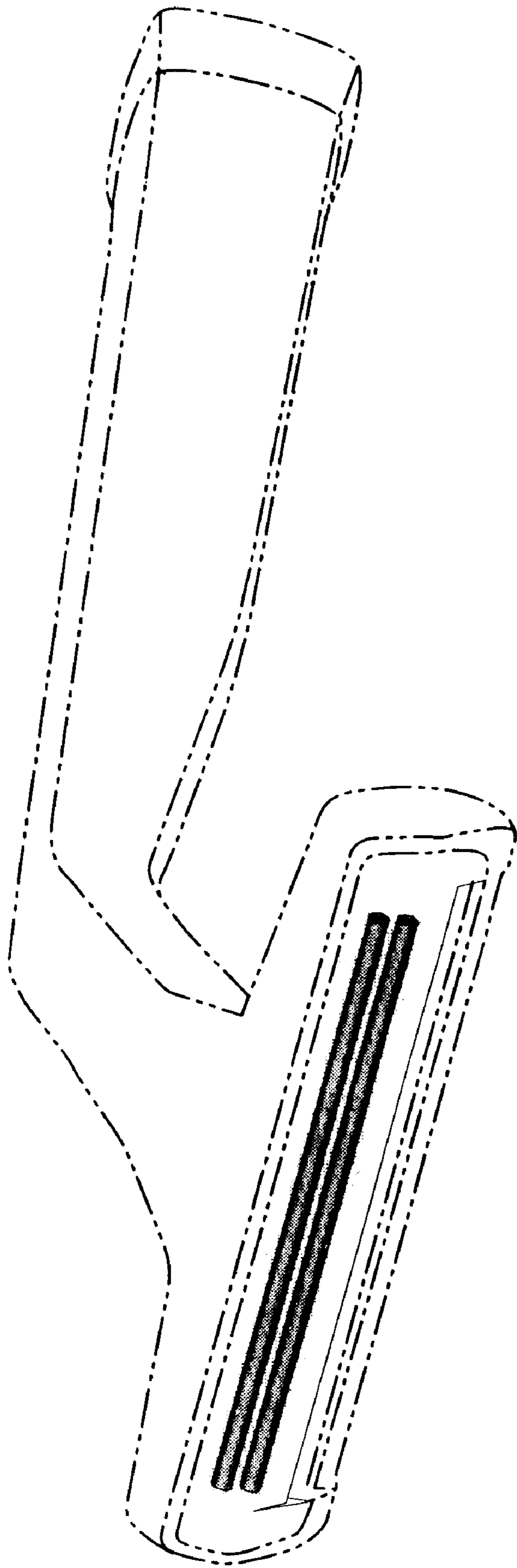


Fig. 1

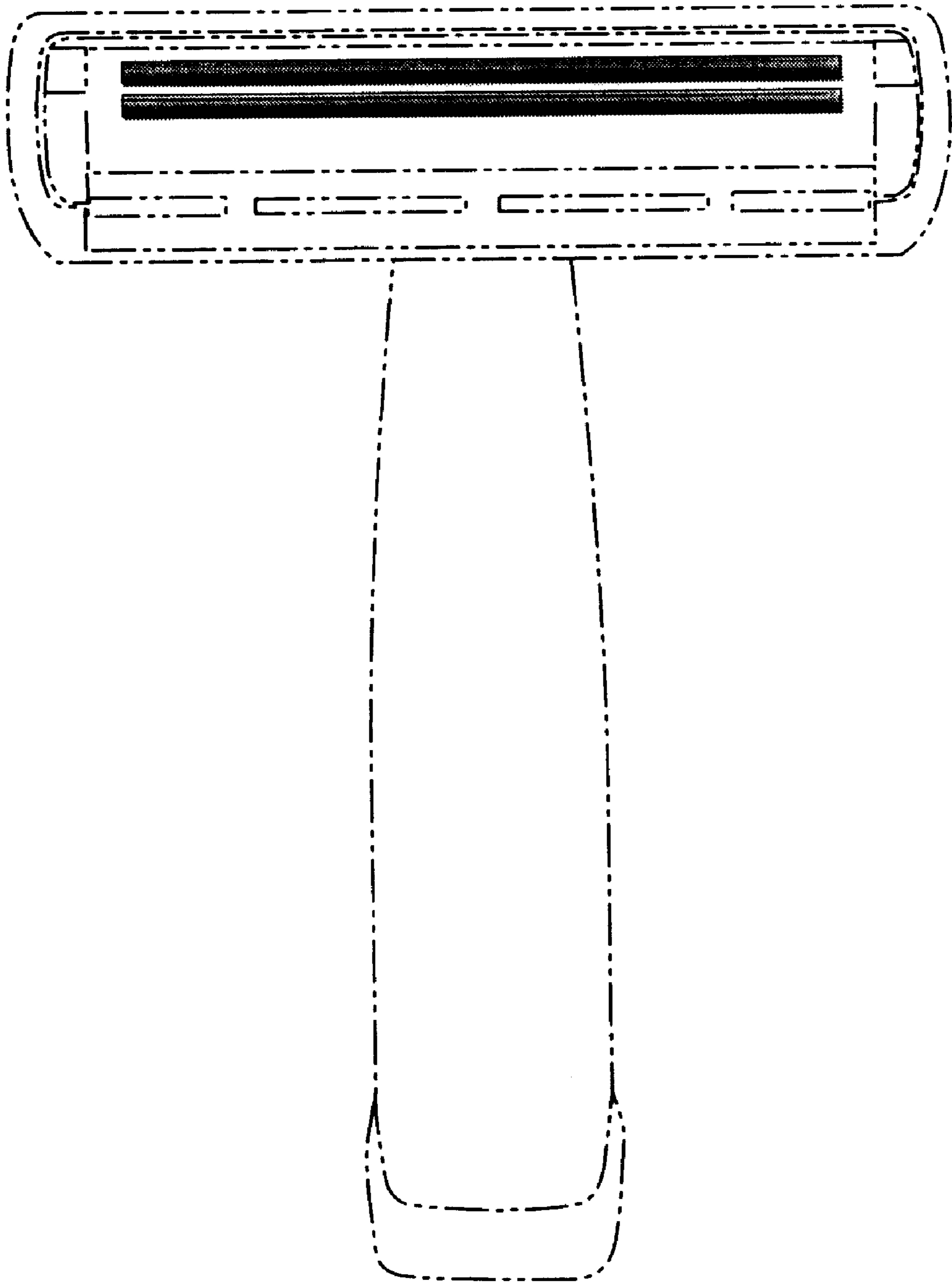


Fig. 2