

US00D434182S

United States Patent [19] Cheung

[11] **Patent Number: Des. 434,182**

[45] **Date of Patent: ** Nov. 21, 2000**

[54] **HAIR DRYER**

[75] **Inventor: Chun-Kong Cheung**, Kowloon, The Hong Kong Special Administrative Region of the People's Republic of China

[73] **Assignee: Gee (HK) Company Limited**, Kowloon, The Hong Kong Special Administrative Region of the People's Republic of China

[**] **Term: 14 Years**

[21] **Appl. No.: 29/094,723**

[22] **Filed: Oct. 8, 1998**

[51] **LOC (7) Cl. 28-03**

[52] **U.S. Cl. D28/16; D28/13**

[58] **Field of Search** D28/12-18; 132/212, 132/271, 272; 34/96-101; 392/379-385

[56] **References Cited**

U.S. PATENT DOCUMENTS

D. 177,361	4/1956	Bentzman	D28/17
D. 227,715	7/1973	Yamaoka	D28/13
D. 243,418	2/1977	Wolff	D28/13
D. 254,833	4/1980	Cooper	D28/13 X
D. 299,874	2/1989	Yamagami et al.	D28/13
D. 318,347	7/1991	Hirose et al.	D28/12
D. 365,418	12/1995	Wai	D28/15
3,846,047	11/1974	Wada et al.	34/97

FOREIGN PATENT DOCUMENTS

972682	10/1964	United Kingdom	392/381
92014380	9/1992	WIPO	392/383

OTHER PUBLICATIONS

Hong Kong Enterprise Oct. 1997, p. 586; item Nos. 9838 and 3338.

Primary Examiner—Catherine Tuttle
Attorney, Agent, or Firm—Jacobson, Price, Holman & Stern, PLLC

[57] **CLAIM**

The ornamental design for a hair dryer, as shown and described.

DESCRIPTION

FIG. 1 is a right side elevational view showing my new design for a hair dryer, the left side being a mirror image of the side shown,

FIG. 2 is a rear view thereof,

FIG. 3 is a top front perspective view thereof,

FIG. 4 is a top rear perspective view thereof,

FIG. 5 is a bottom view thereof,

FIG. 6 is a front side perspective view thereof,

FIG. 7 is a right side elevational view, with the handle in a folded position; and,

FIG. 8 is a right side/bottom perspective view with the handle in the folded position.

The unshaded region of the front end forms no part of the claimed design.

1 Claim, 2 Drawing Sheets

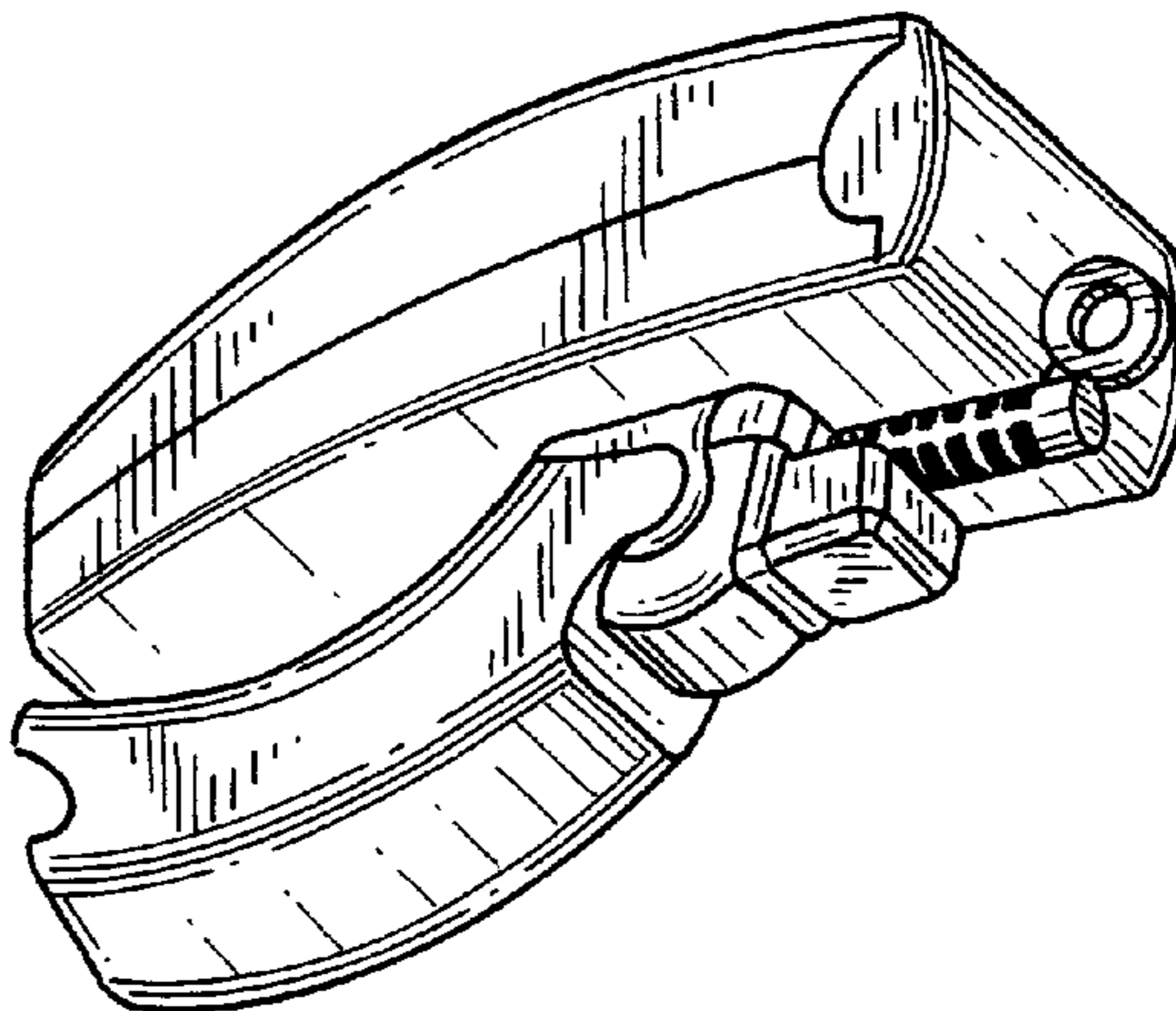
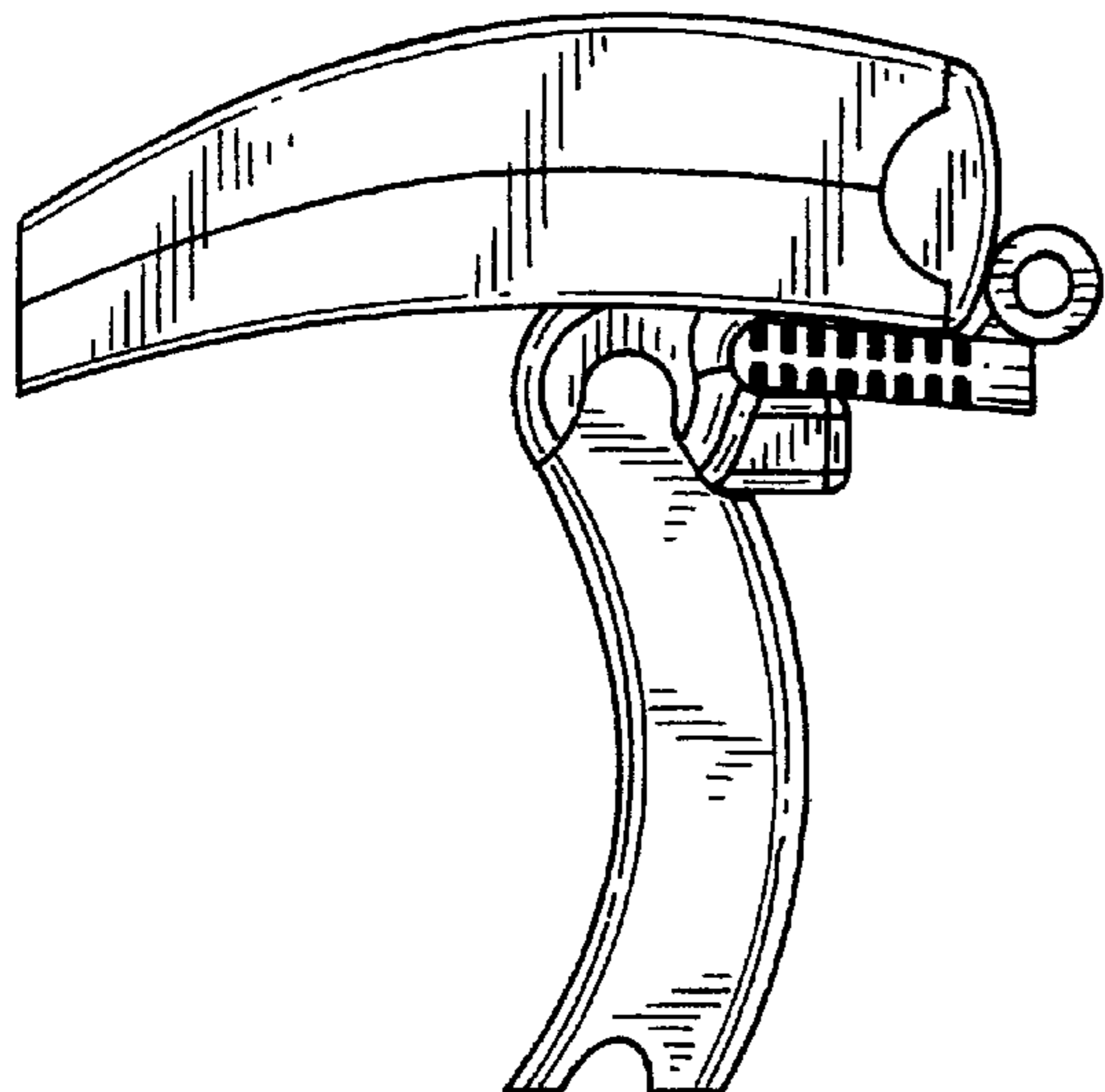


FIG. 1

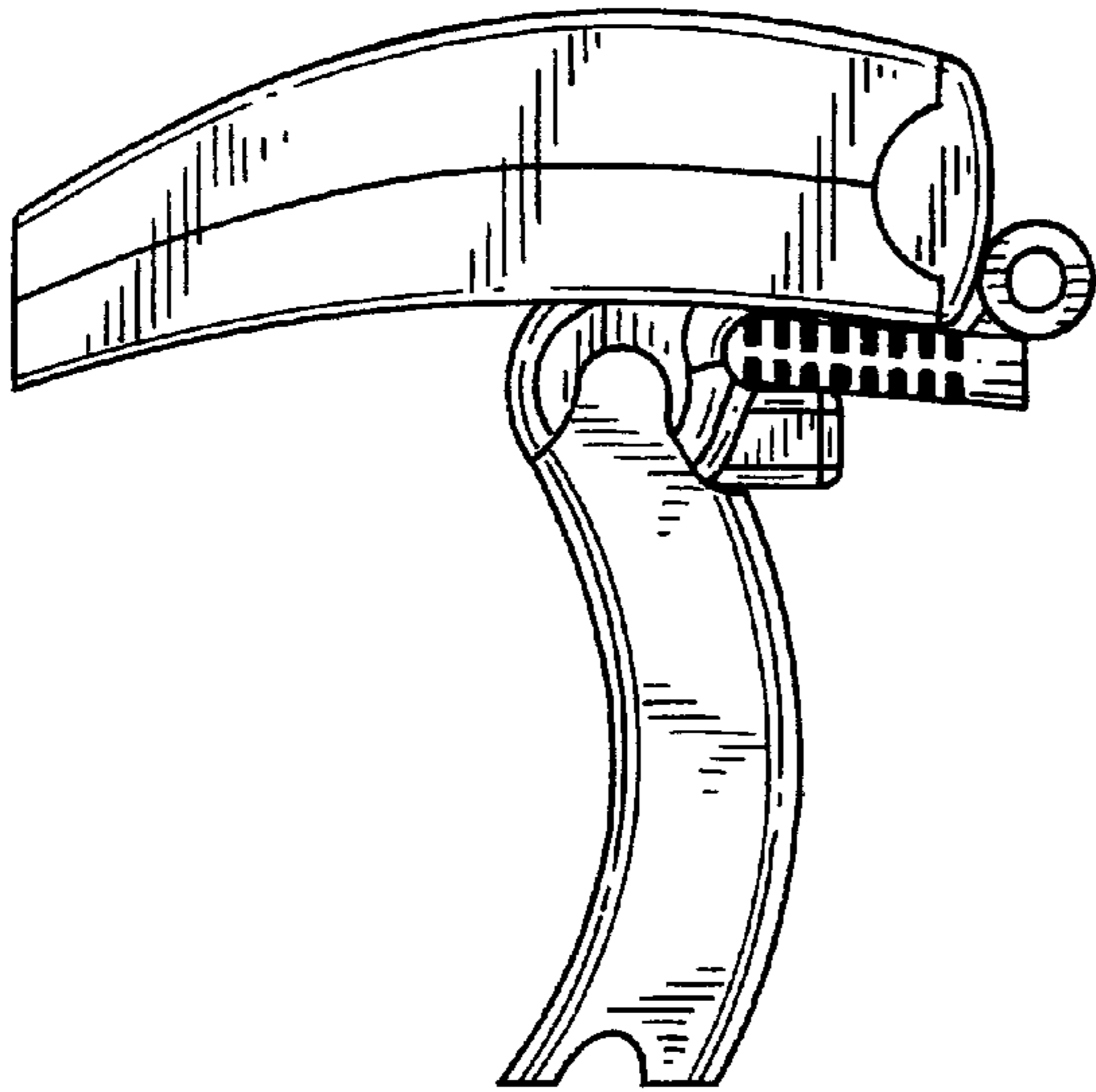


FIG. 2

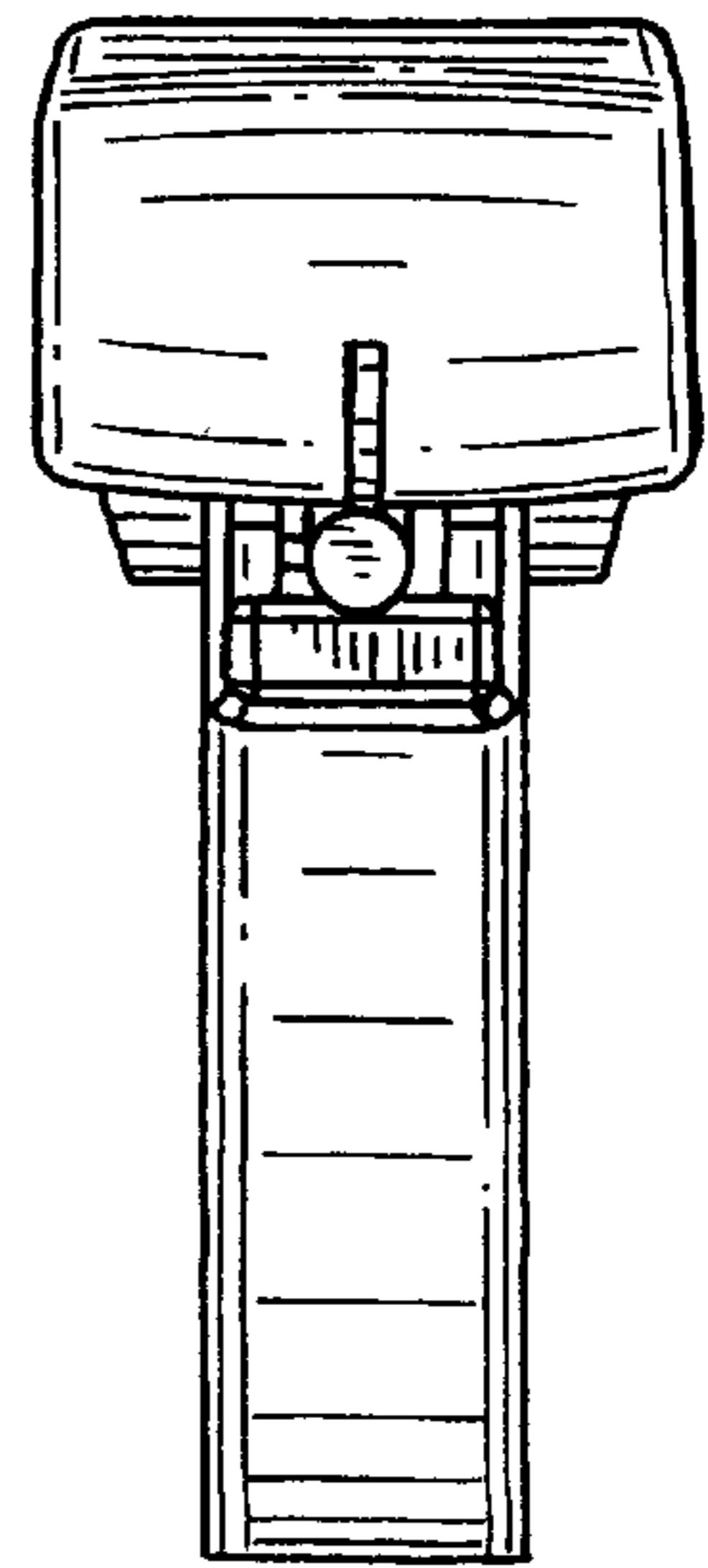


FIG. 3

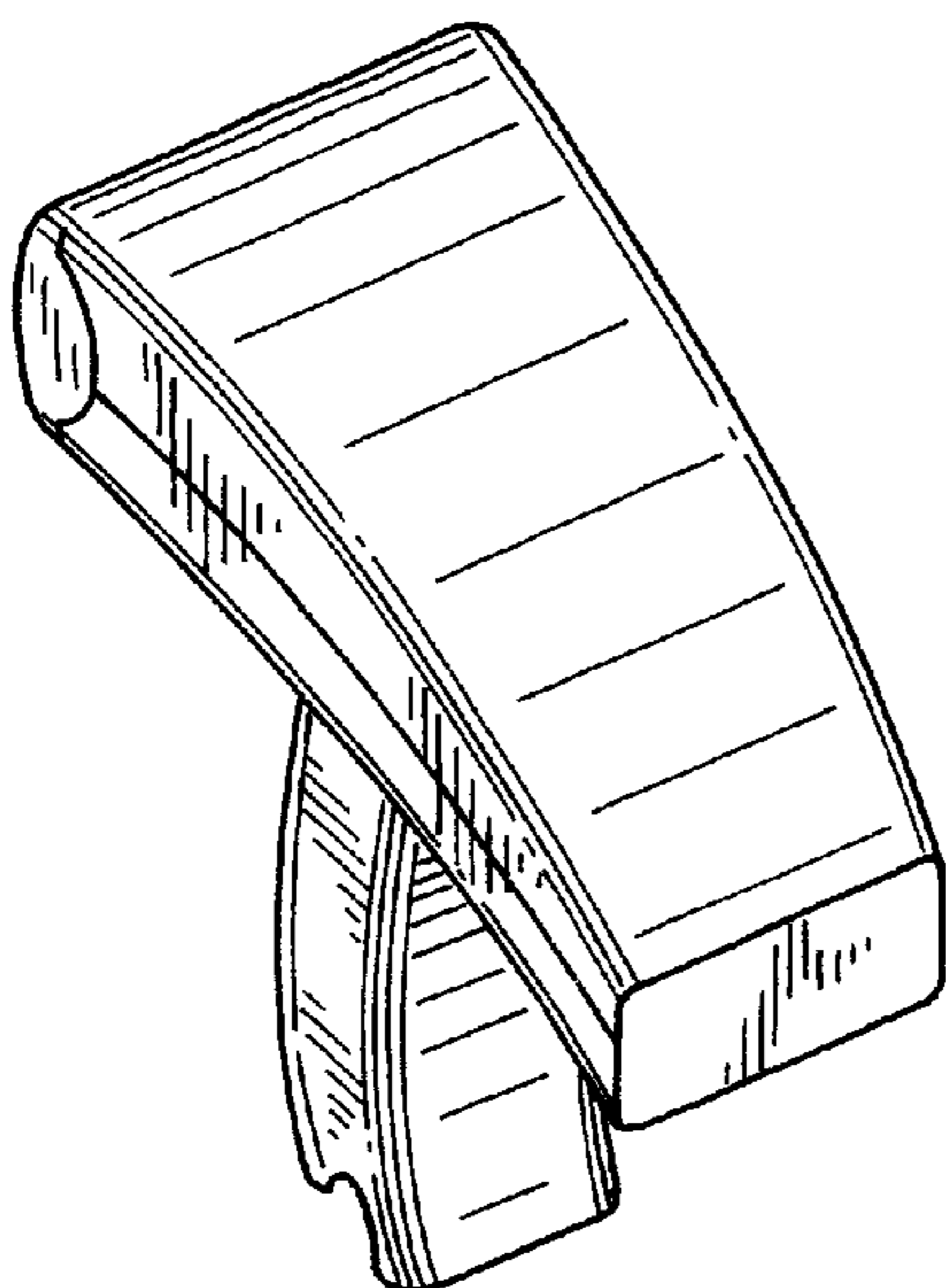


FIG. 4

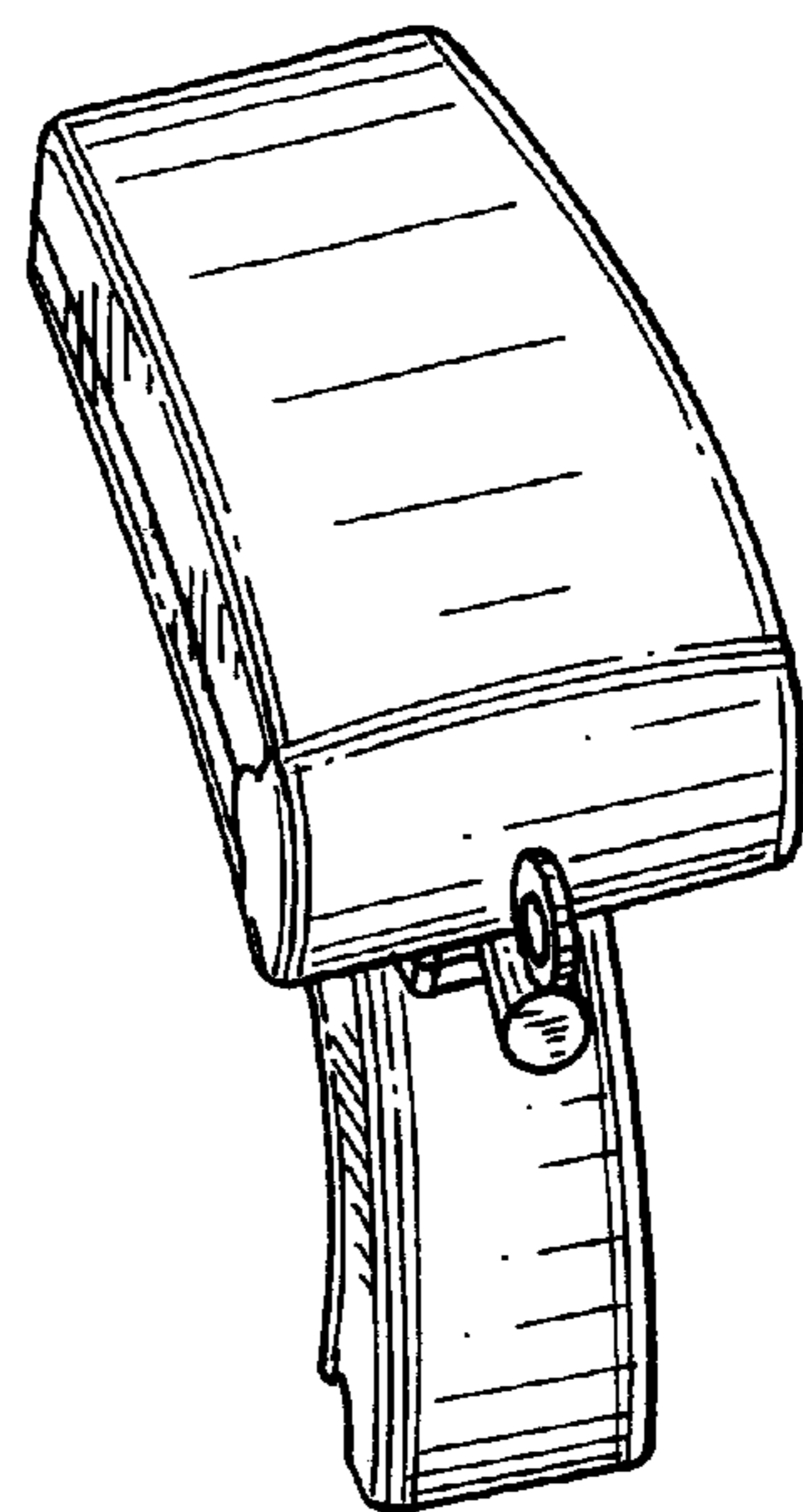


FIG. 5

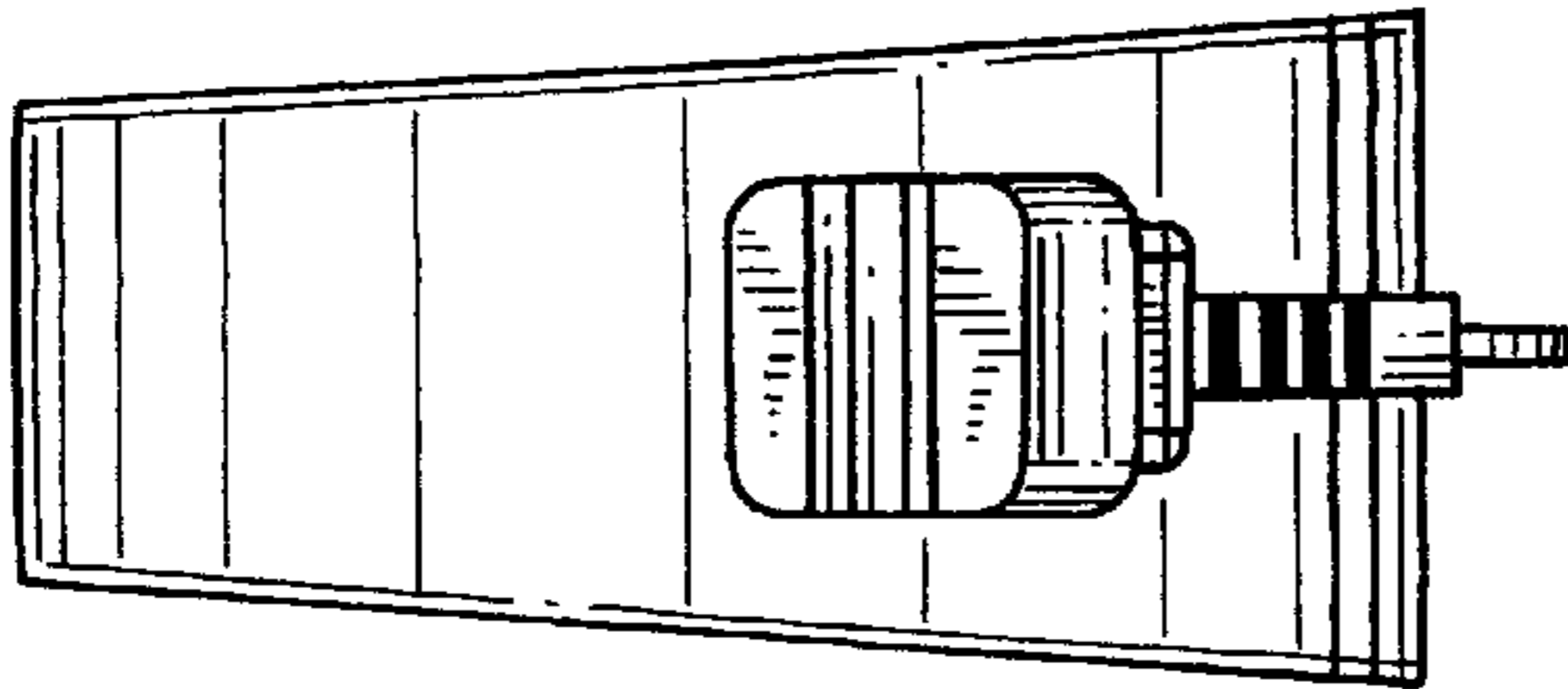


FIG. 6

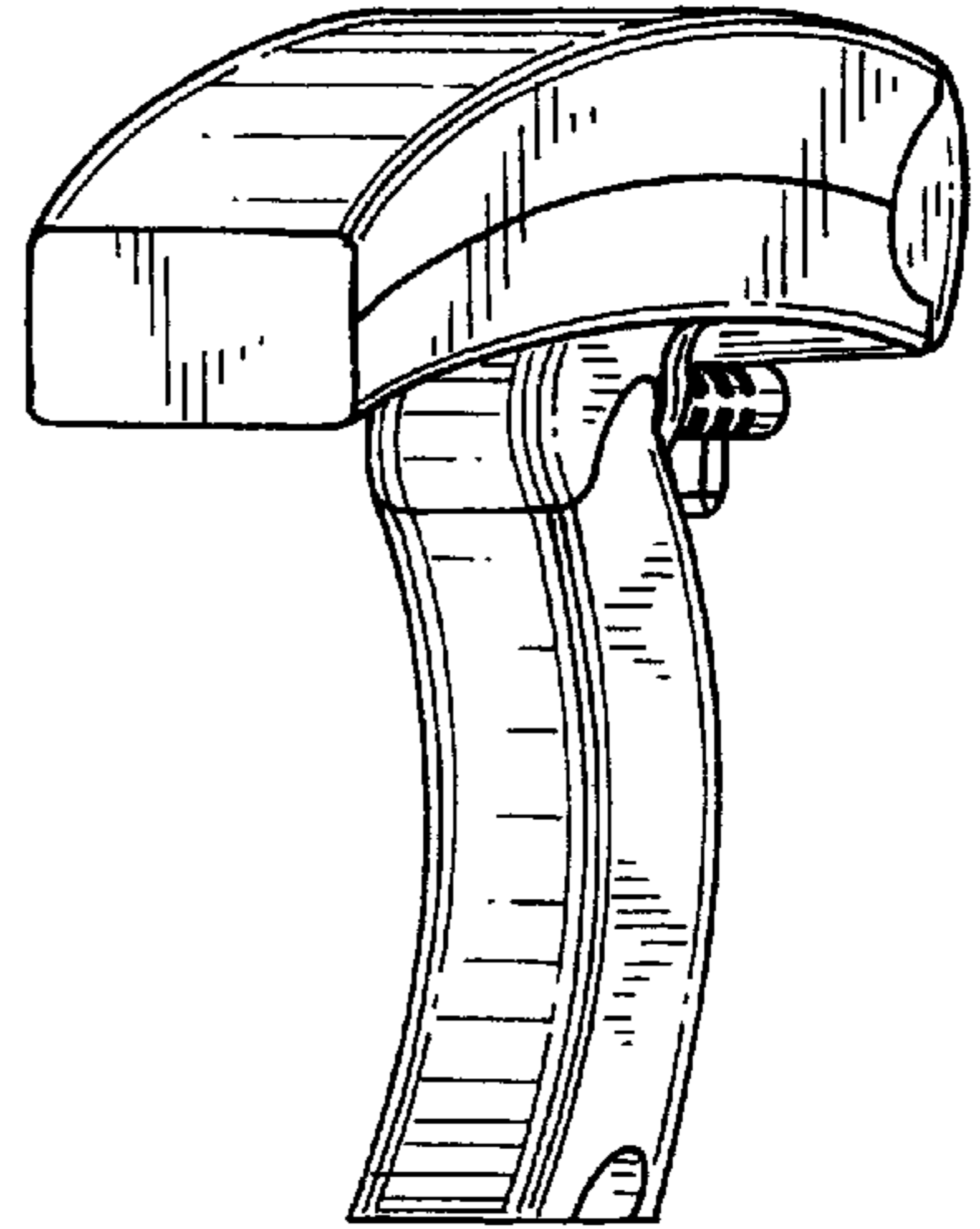


FIG. 7

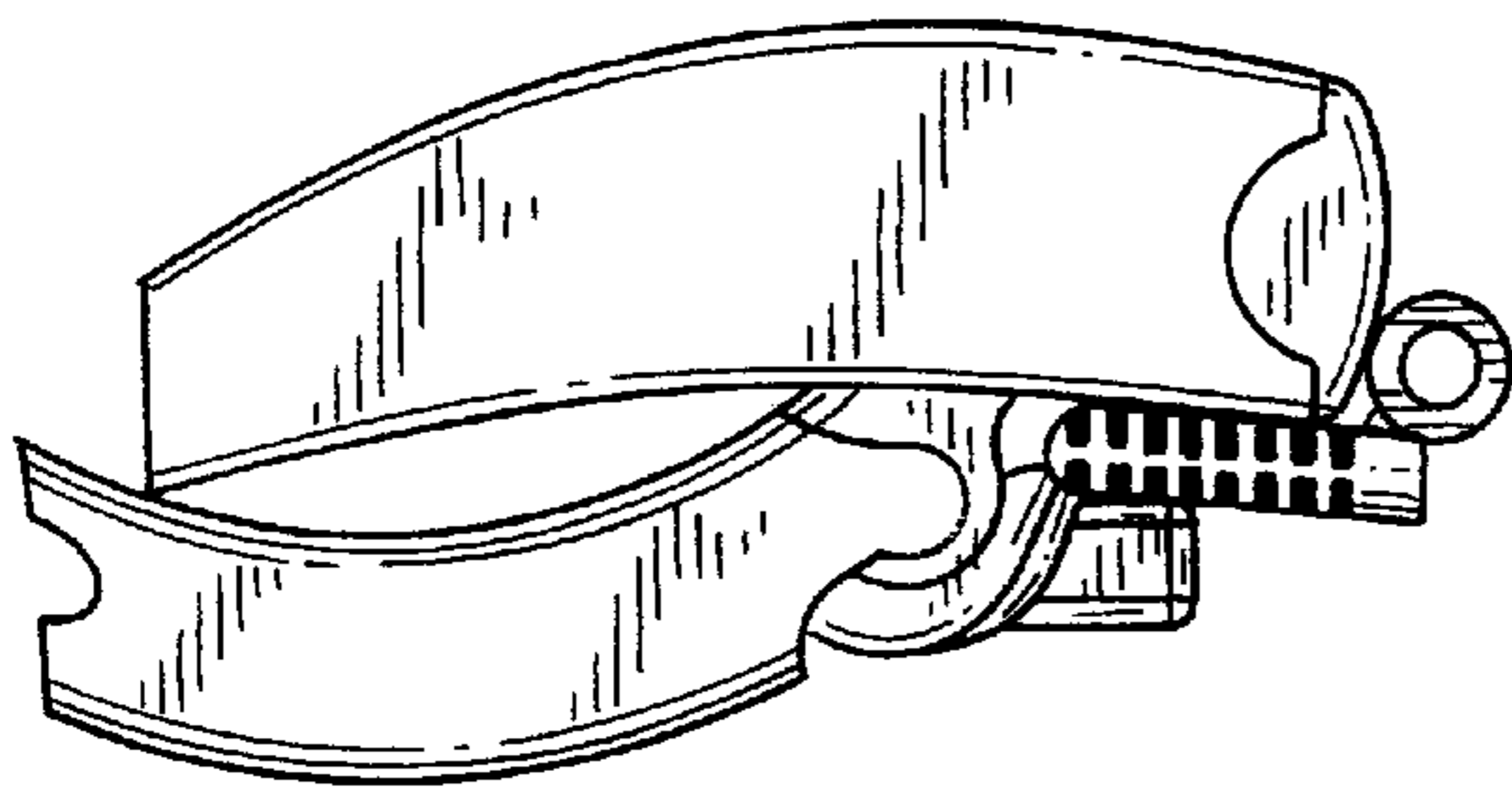


FIG. 8

