



US00D434175S

**United States Patent** [19]  
**Fahmian**

[11] **Patent Number: Des. 434,175**  
[45] **Date of Patent: \*\* Nov. 21, 2000**

[54] **PAIR OF LIGHT FIXTURE FRAME END CAPS**

4,698,733 10/1987 Griffin .  
5,171,085 12/1992 Jaksich .

[75] Inventor: **Hal Fahmian**, Riverside, Calif.

[73] Assignee: **Thin-Lite Corporation**, Camarillo, Calif.

[\*\*] Term: **14 Years**

[21] Appl. No.: **29/119,798**

[22] Filed: **Mar. 8, 2000**

[51] **LOC (7) Cl.** ..... **26-99**

[52] **U.S. Cl.** ..... **D26/113; D26/76**

[58] **Field of Search** ..... D26/75-78; 362/216,  
362/217, 218, 219, 220, 221, 222, 223,  
224, 225

[56] **References Cited**

**U.S. PATENT DOCUMENTS**

D. 192,878	5/1962	Miuller	.....	D26/76
D. 300,471	3/1989	Szymanek	.....	D26/76
D. 300,874	4/1989	Szymanek	.....	D26/76
D. 333,530	2/1993	Boundy	.....	D26/76 X
D. 404,161	1/1999	Herst et al.	.....	D26/76
D. 405,908	2/1999	Herst et al.	.....	D26/76

**OTHER PUBLICATIONS**

Lighting magazine, Feb. 1959, p. 29, MUS fluorescent lighting fixture.

*Primary Examiner*—Susan J. Lucas  
*Attorney, Agent, or Firm*—Fulwider Patton Lee & Utecht, LLP

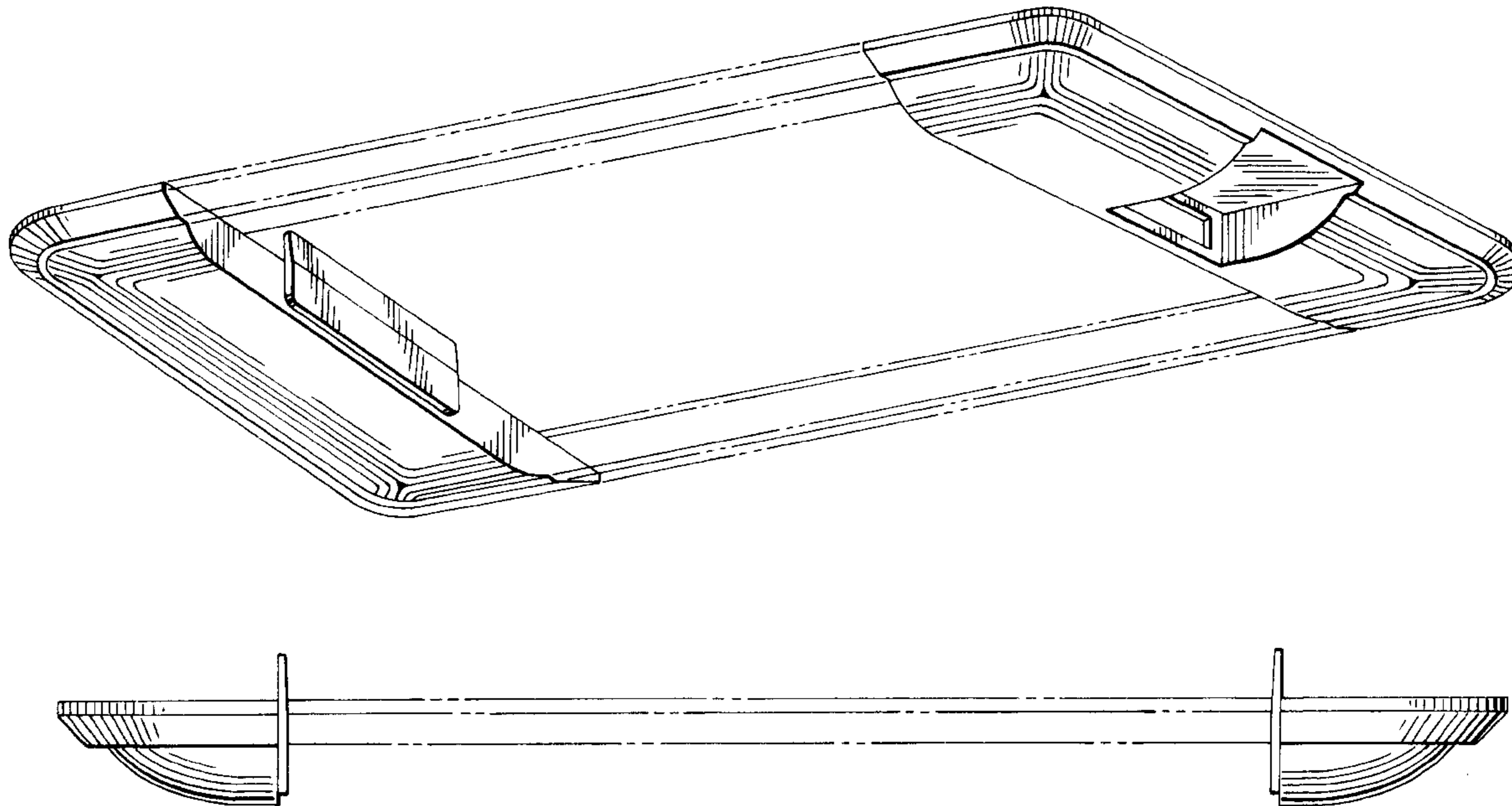
[57] **CLAIM**

The ornamental design for a pair of light fixture frame end caps, as shown and described.

**DESCRIPTION**

FIG. 1 is a bottom perspective view showing my new design;  
FIG. 2 is a front view thereof;  
FIGS. 3 and 4 are right hand and left hand end views thereof, respectively, in enlarged scale;  
FIG. 5 is a bottom view thereof, in enlarged scale; and,  
FIG. 6 is a top view thereof, in enlarged scale.  
The broken lines are shown for illustrative purposes only and form no part of the claimed design.

**1 Claim, 4 Drawing Sheets**



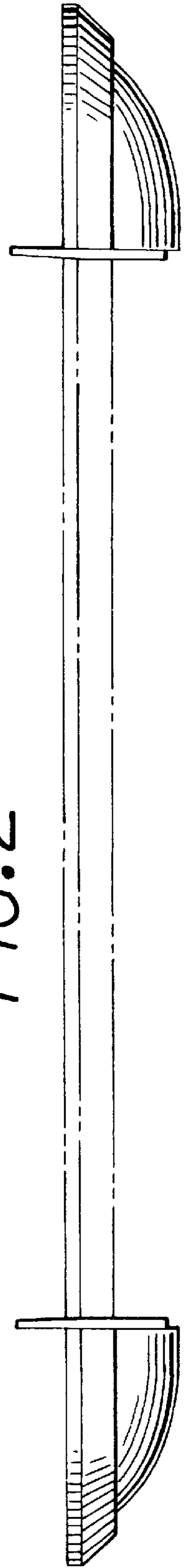
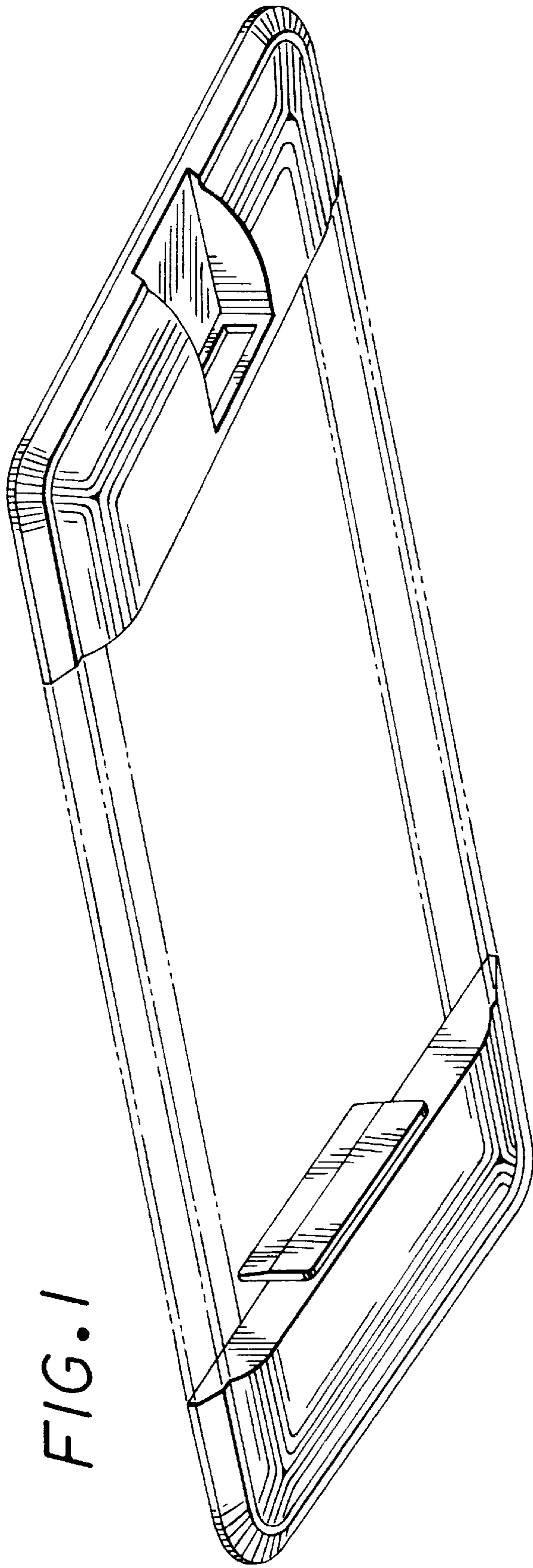
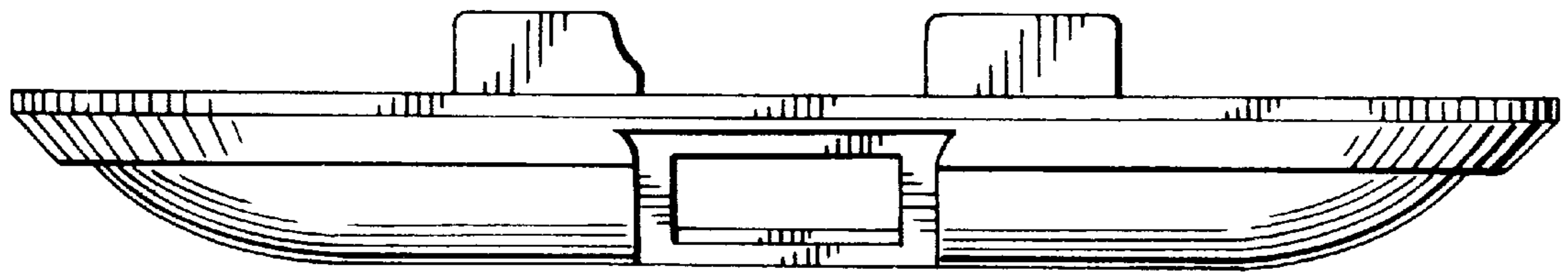


FIG. 1

FIG. 2

*FIG. 3*



*FIG. 4*

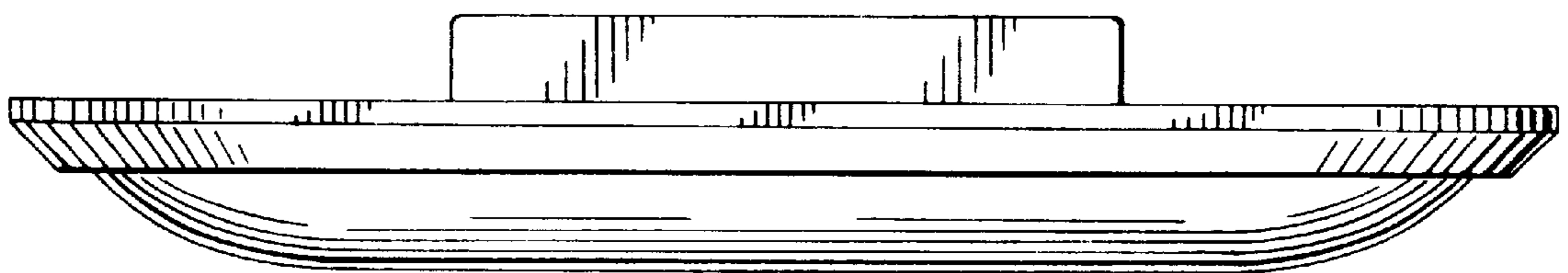


FIG. 5

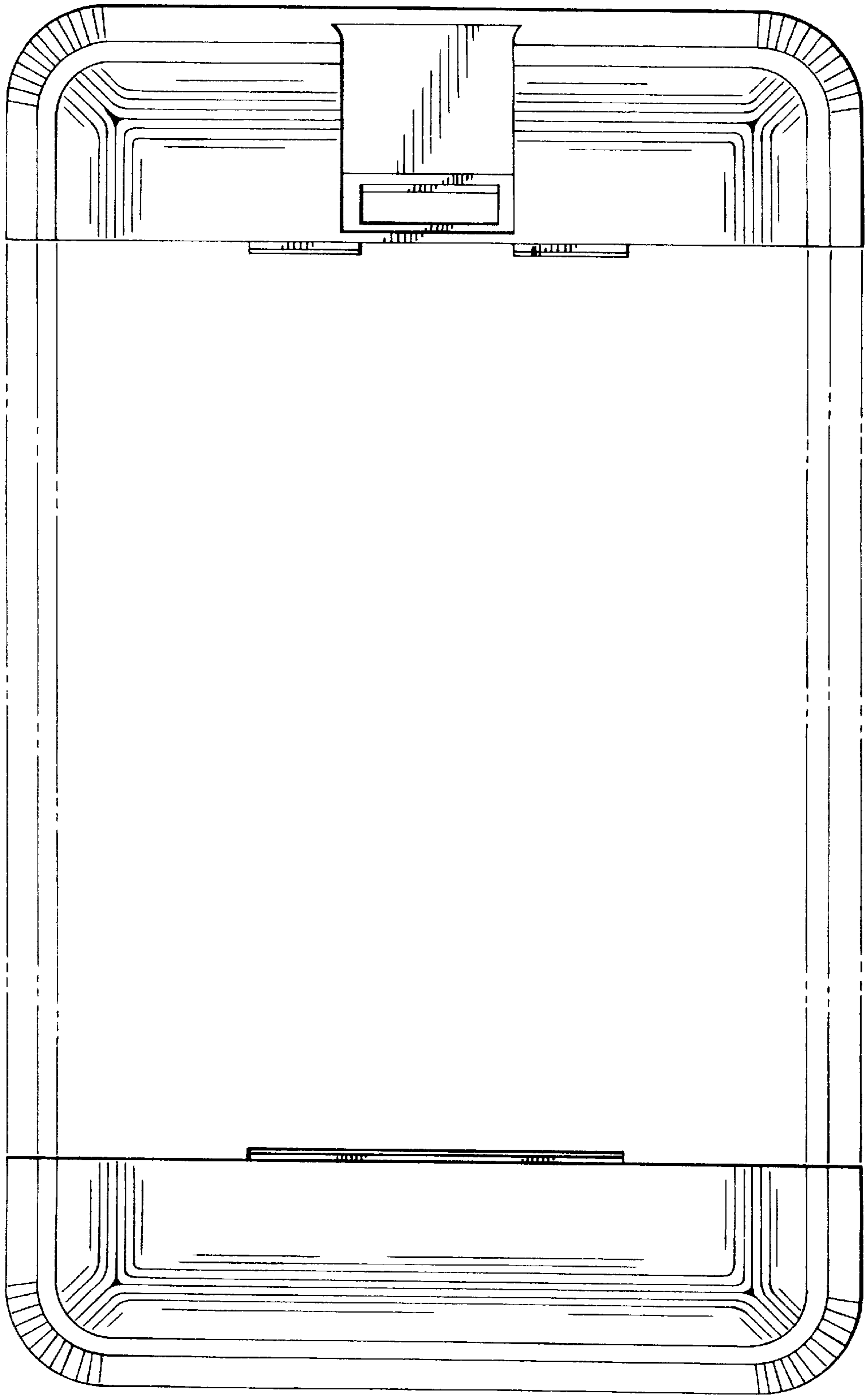


FIG. 6

