



US00D434174S

United States Patent [19]
Hsu

[11] **Patent Number: Des. 434,174**

[45] **Date of Patent: ** Nov. 21, 2000**

[54] **TABLE LAMP**

[75] Inventor: **Peter Hsu**, Taichung, Taiwan

[73] Assignee: **Whole Bright Industries Limited**,
Chai Wan, The Hong Kong Special
Administrative Region of the People's
Republic of China

[**] Term: **14 Years**

[21] Appl. No.: **29/120,729**

[22] Filed: **Mar. 27, 2000**

[51] **LOC (7) Cl.** **26-03**

[52] **U.S. Cl.** **D26/108; D26/112**

[58] **Field of Search** **D26/93, 102-112,**
D26/142; 362/410-414

[56] **References Cited**

U.S. PATENT DOCUMENTS

D. 380,576 7/1997 Porter D26/106

OTHER PUBLICATIONS

Home Lighting & Accessories, lamp at top left of p. 56, Mar. 1997.

Home Lighting & Accessories, lamp at right side of p. 67, Dec. 1997.

Home Lighting & Accessories, lamps at top left corner and bottom right corner of p. 164, Dec. 1997.

REI Jean Enterprise Co., Ltd., halogen lamp at left side of sales brochure, Oct. 1995.

Primary Examiner—Freda Nunn
Assistant Examiner—Linda Brooks
Attorney, Agent, or Firm—Rosenberg, Klein & Lee

[57] **CLAIM**

The ornamental design for a table lamp, as shown and described.

DESCRIPTION

FIG. 1 is a perspective view of table lamp showing my new design;

FIG. 2 is a front elevation view, the rear elevation view thereof being identical in appearance;

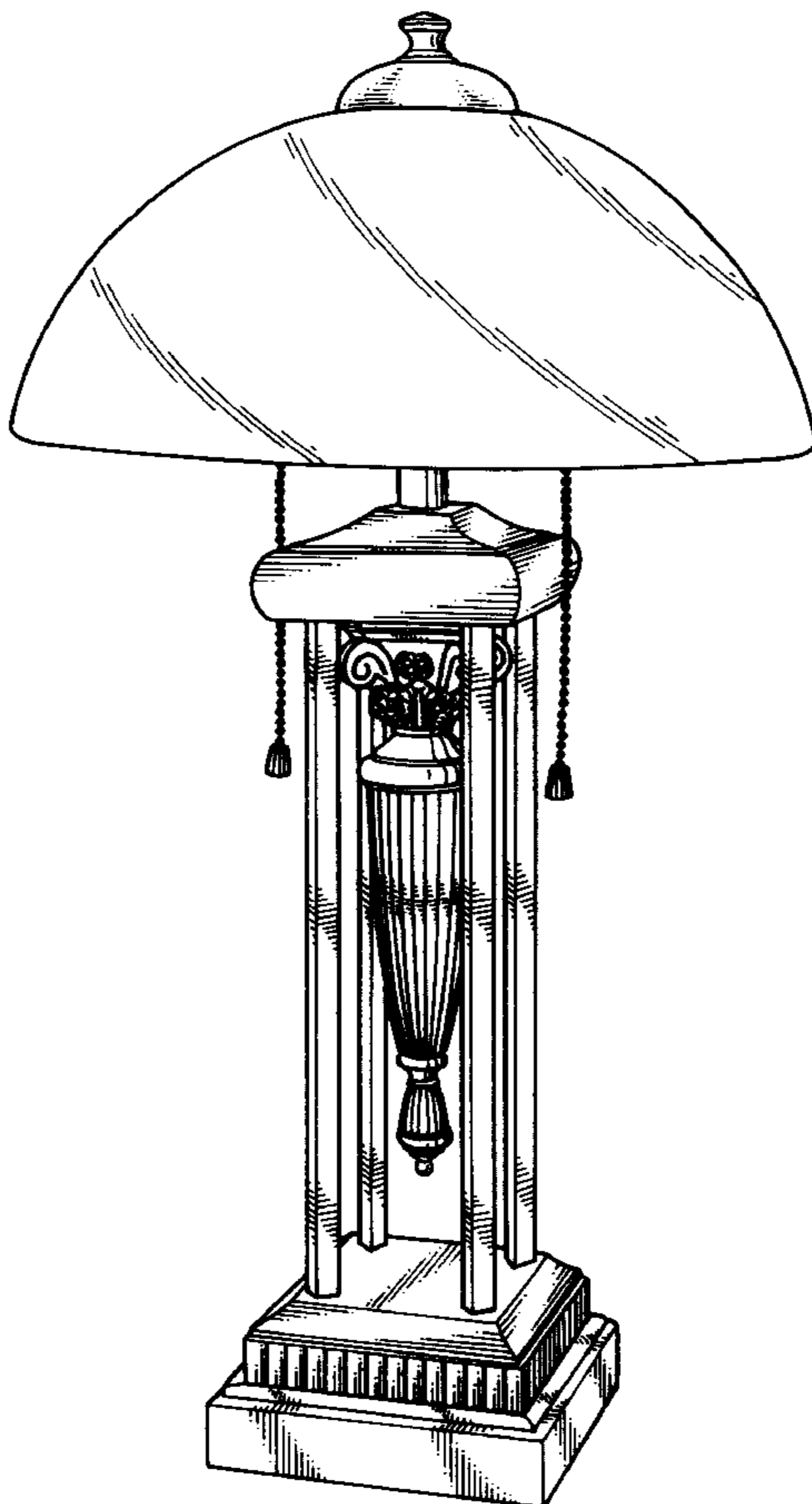
FIG. 3 is a left side elevation view thereof;

FIG. 4 is a right side elevation view thereof;

FIG. 5 is a top plan view thereof; and,

FIG. 6 is a bottom plan view thereof.

1 Claim, 5 Drawing Sheets



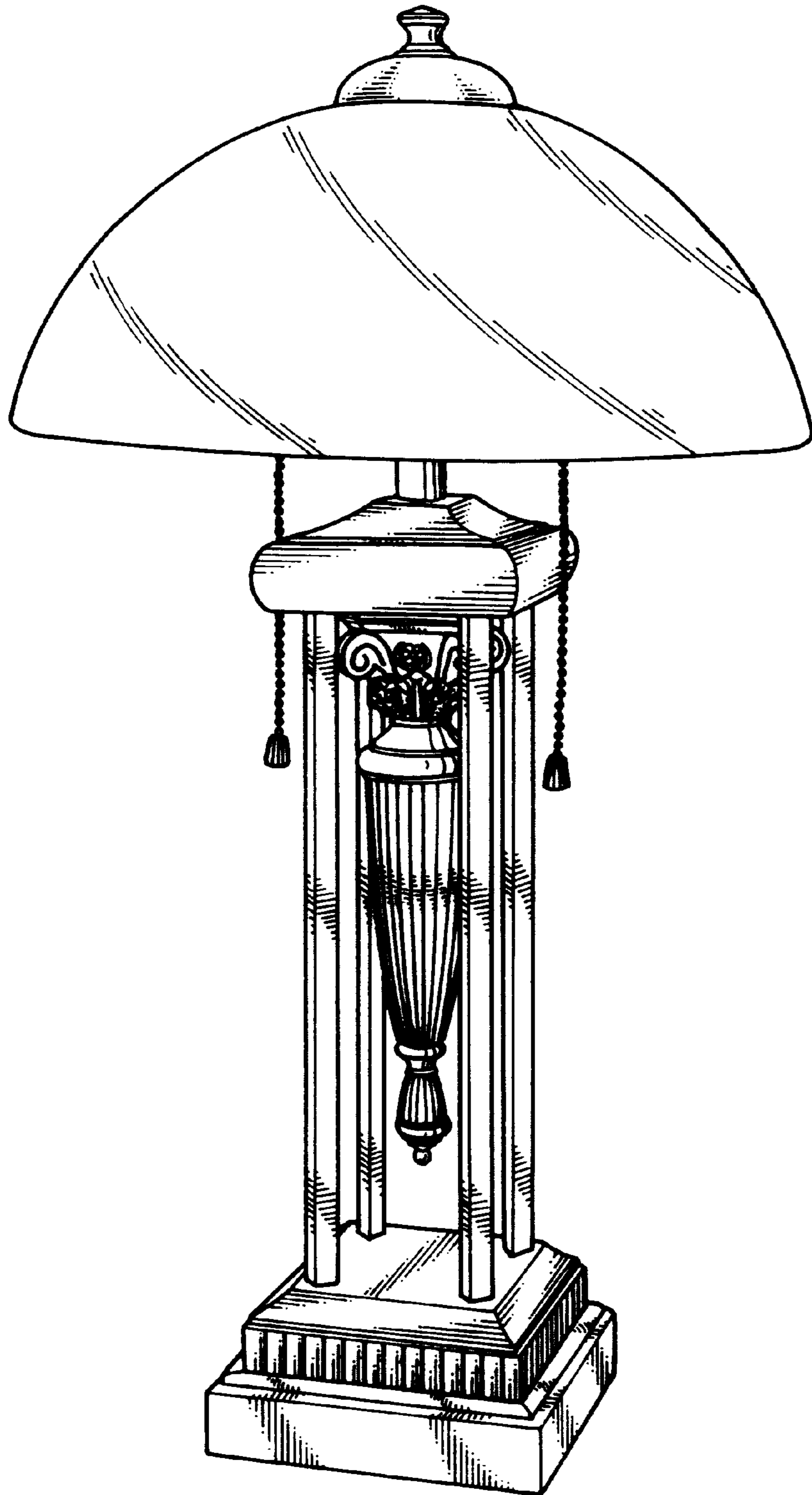


FIG. 1

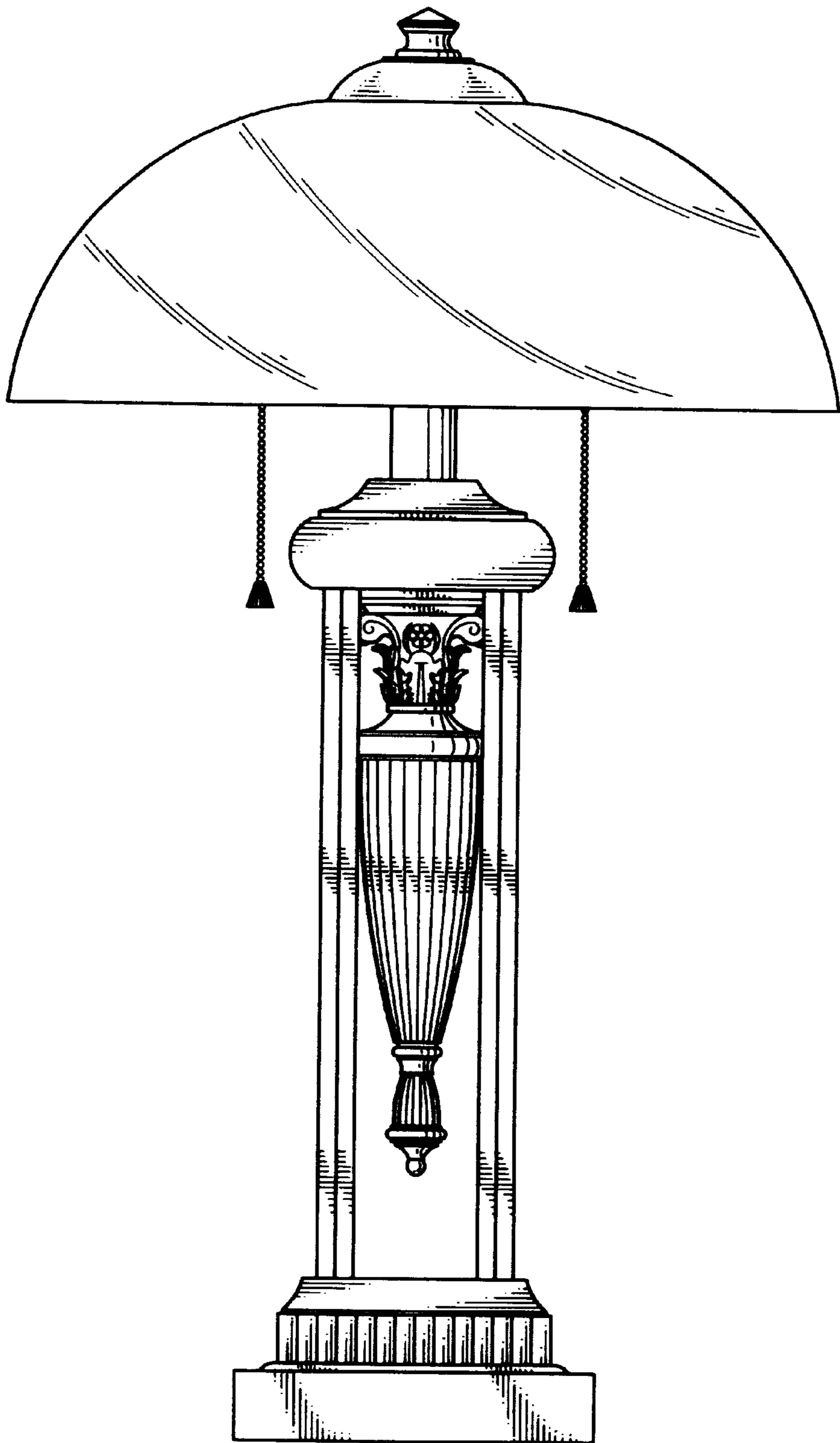


FIG. 2

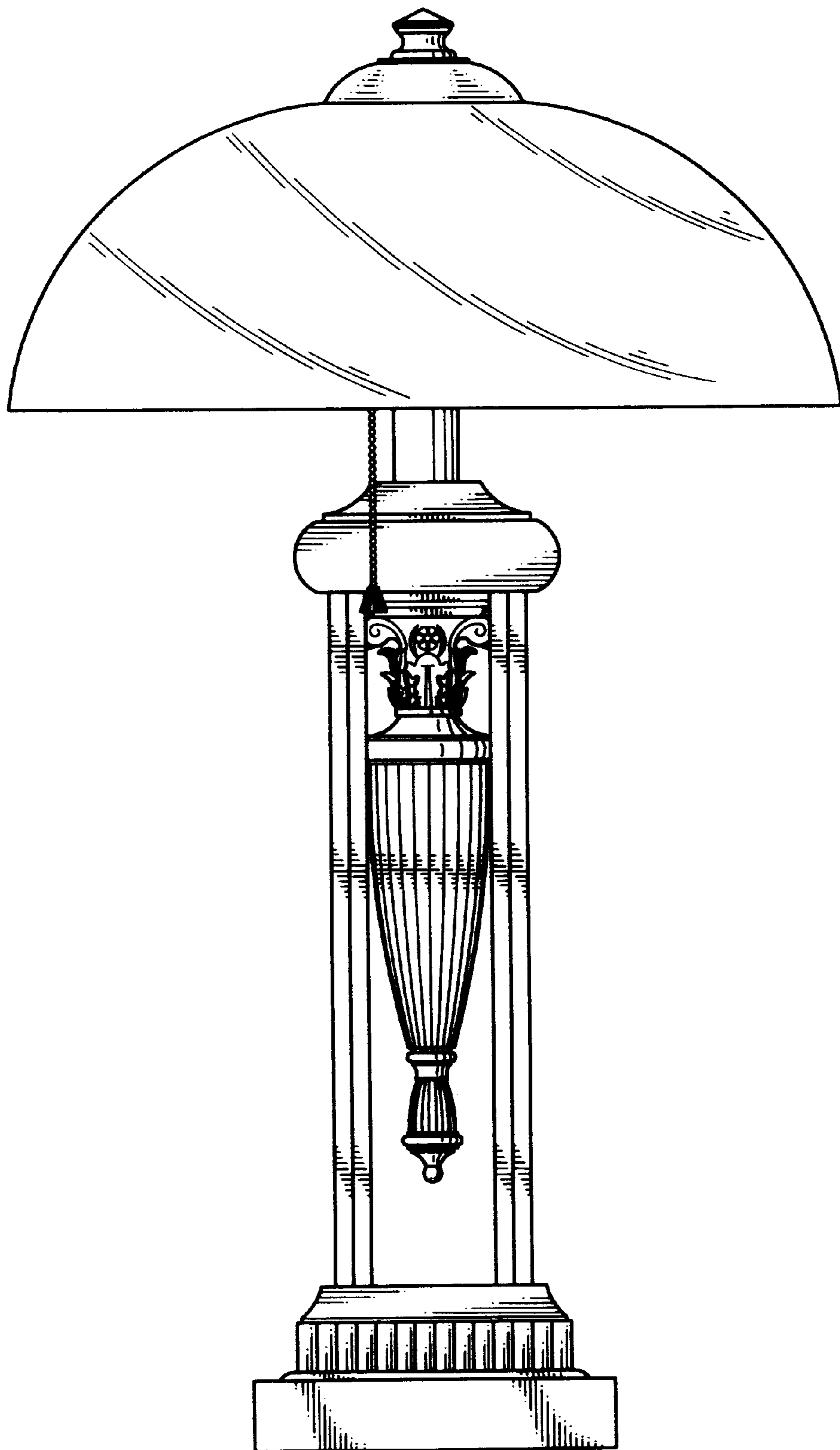


FIG. 3

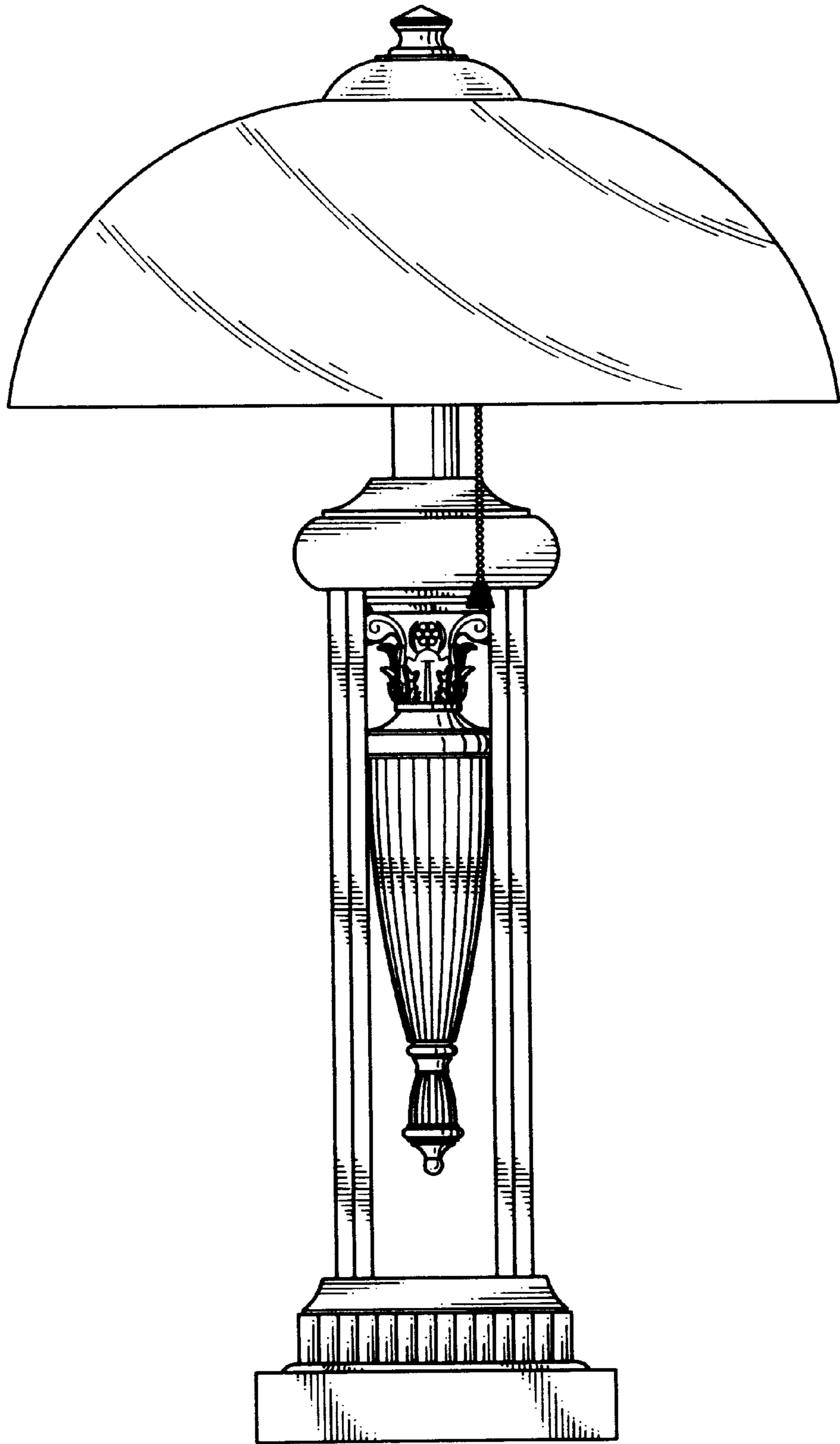


FIG. 4

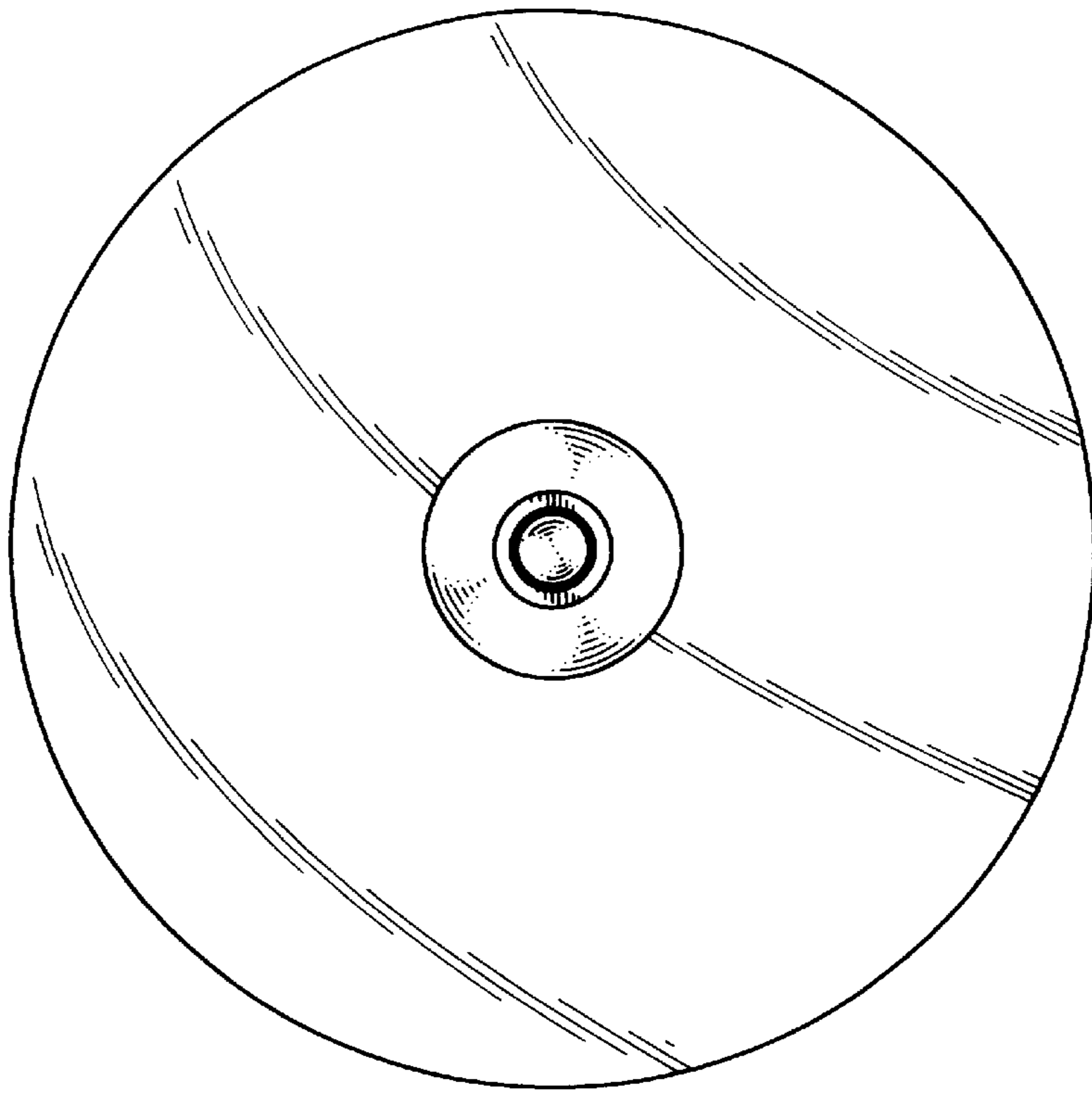


FIG. 5

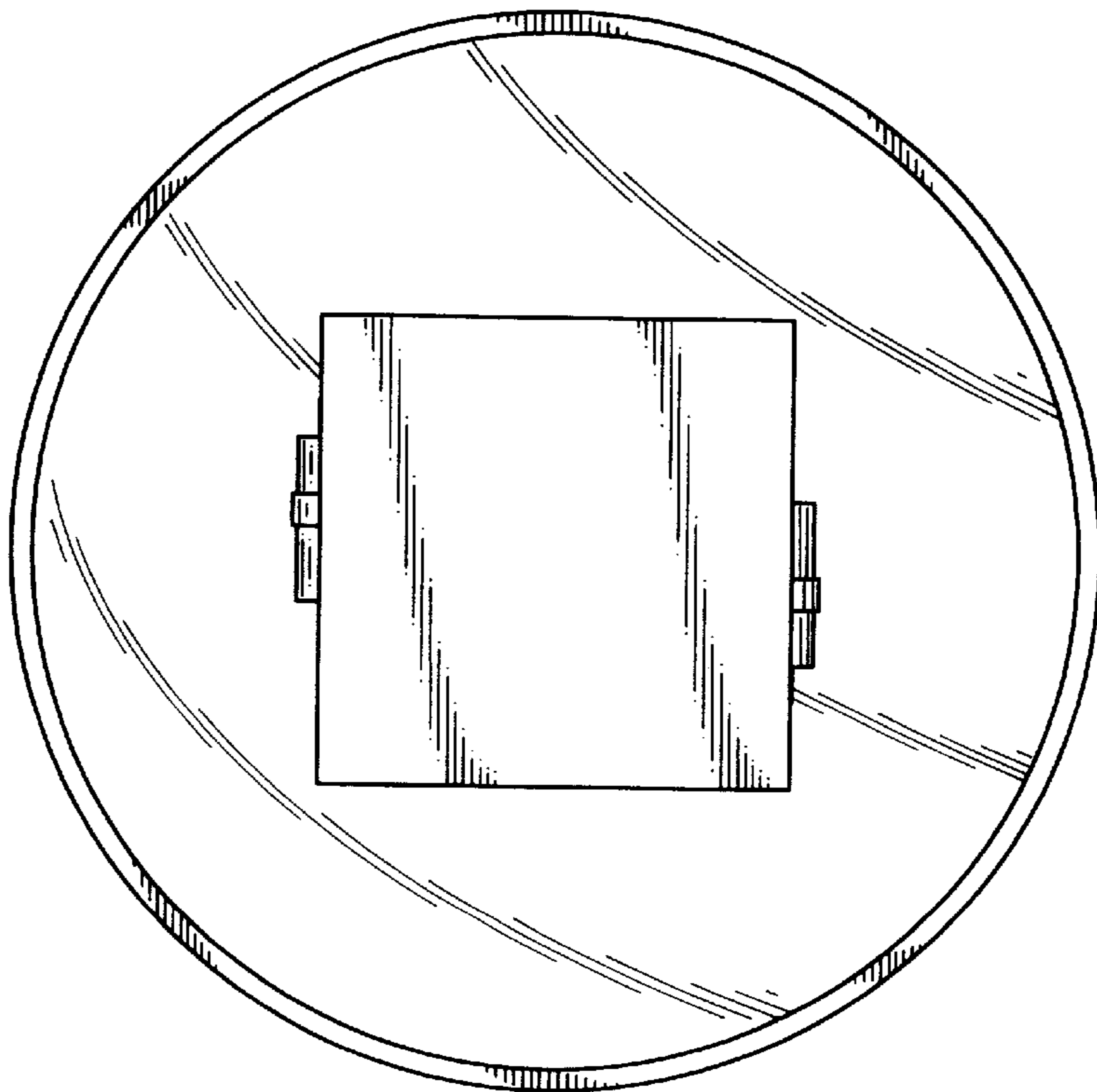


FIG. 6