



US00D434173S

United States Patent [19]
Rochon

[11] **Patent Number: Des. 434,173**
[45] **Date of Patent: ** Nov. 21, 2000**

[54] **DUAL TABLE LAMP**

OTHER PUBLICATIONS

[75] Inventor: **Pierre-Yves Rochon**, Paris, France

Home Lighting & Accessories, lamp at top of p. 112, Nov. 1997.

[73] Assignee: **Societe Pierre-Yves Rochon**, Paris, France

The Shelburne Collection catalog, lamps on p. 5, Feb. 1991.

[**] Term: **14 Years**

Primary Examiner—Alan P. Douglas
Assistant Examiner—Linda Brooks
Attorney, Agent, or Firm—Alfred M. Walker

[21] Appl. No.: **29/112,496**

[57] **CLAIM**

[22] Filed: **Oct. 19, 1999**

The ornamental design for a dual table lamp, as shown and described.

[30] **Foreign Application Priority Data**

DESCRIPTION

Apr. 19, 1999 [FR] France 99 2607

[51] **LOC (7) Cl.** **26-03**

FIG. 1 is a perspective view of a dual table lamp, showing my new design;

[52] **U.S. Cl.** **D26/108**

FIG. 2 is a left side elevation view thereof;

[58] **Field of Search** D26/93, 102-113;
362/410-414, 431

FIG. 3 is a right side elevation view thereof;

FIG. 4 is a front elevational view thereof;

FIG. 5 is a rear view thereof;

FIG. 6 is a top plan view thereof; and,

FIG. 7 is a bottom view thereof.

[56] **References Cited**

U.S. PATENT DOCUMENTS

D. 243,473 2/1977 Freeman D26/112
D. 362,316 9/1995 Von Kluck D26/106

1 Claim, 5 Drawing Sheets



FIG. 1

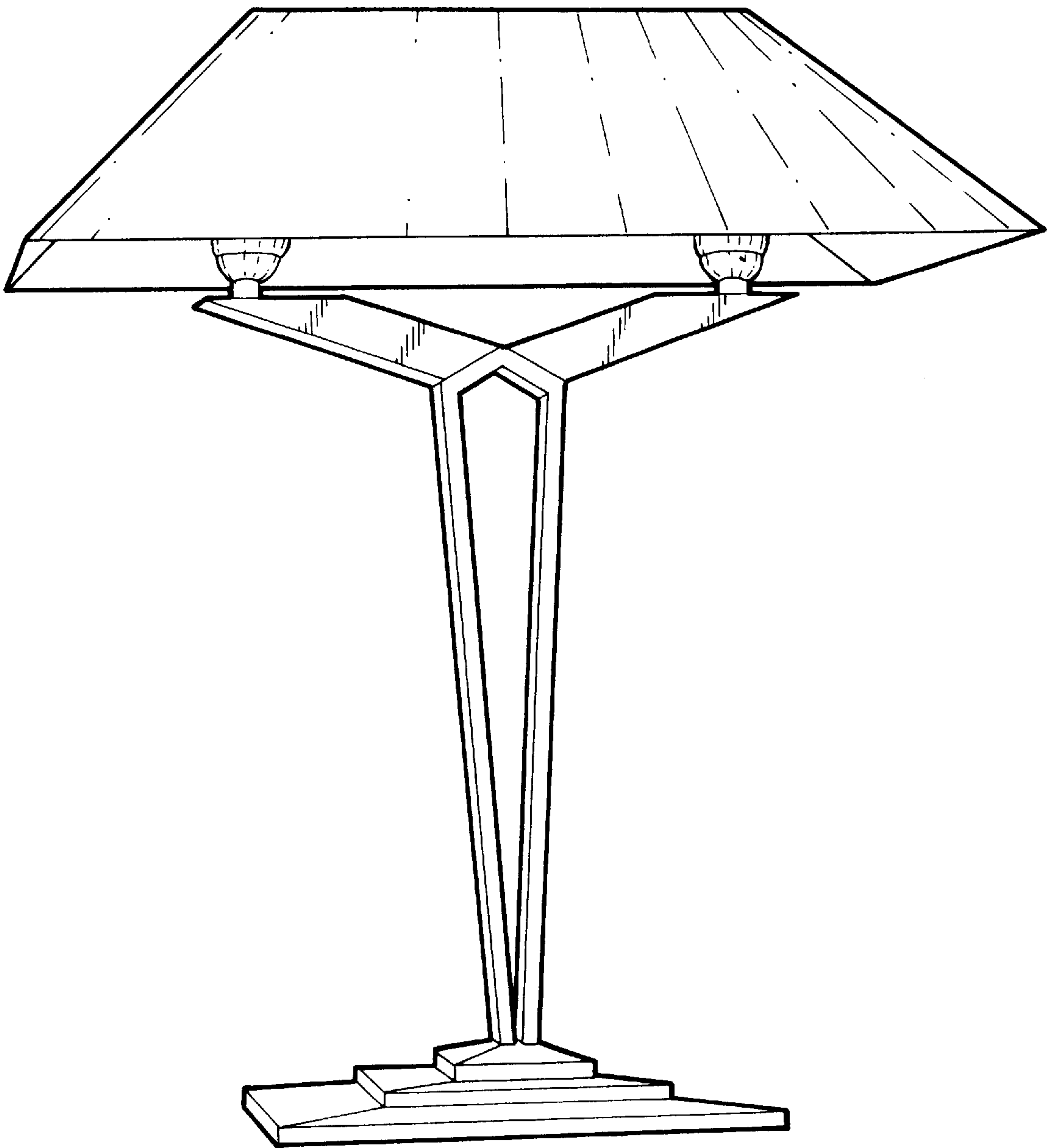


FIG. 2

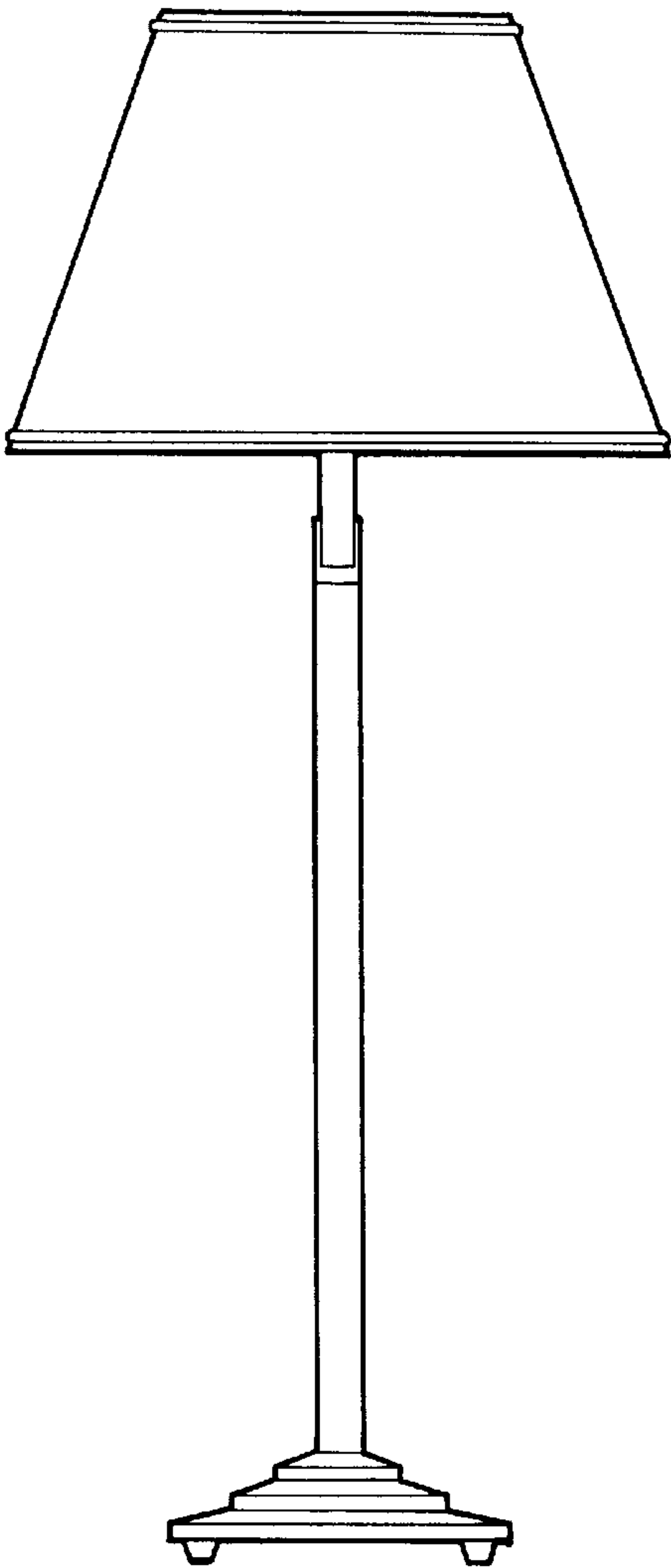


FIG. 3

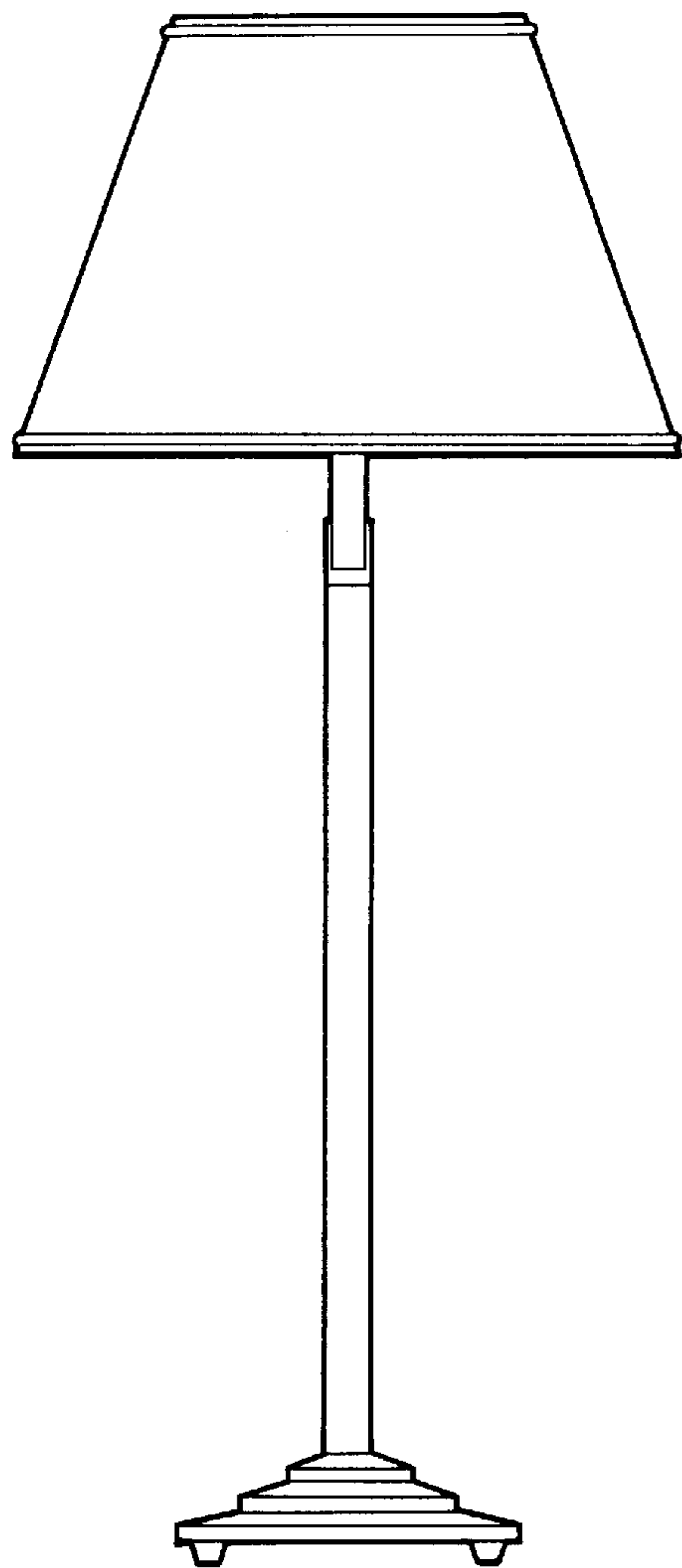


FIG. 4

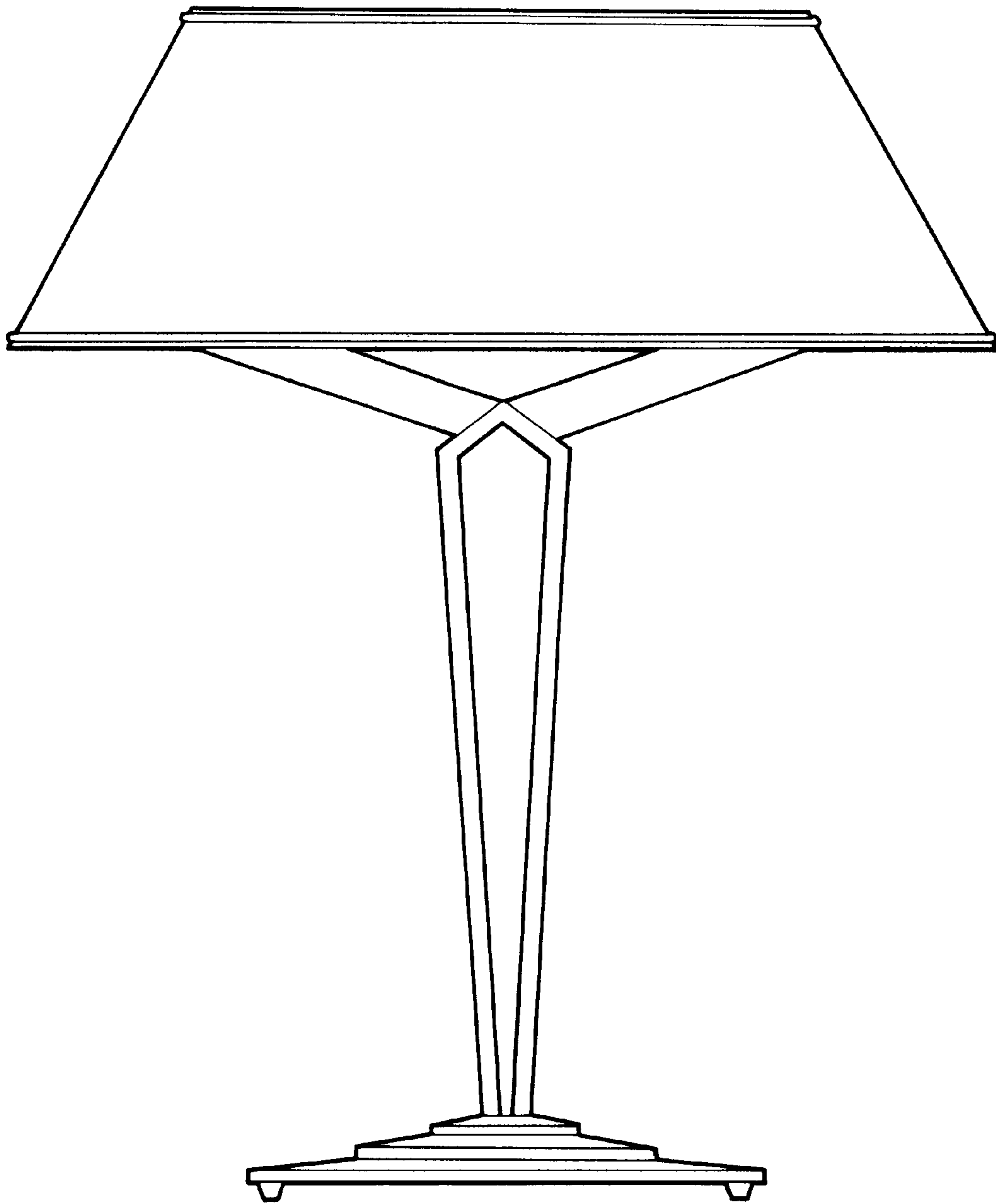


FIG. 5

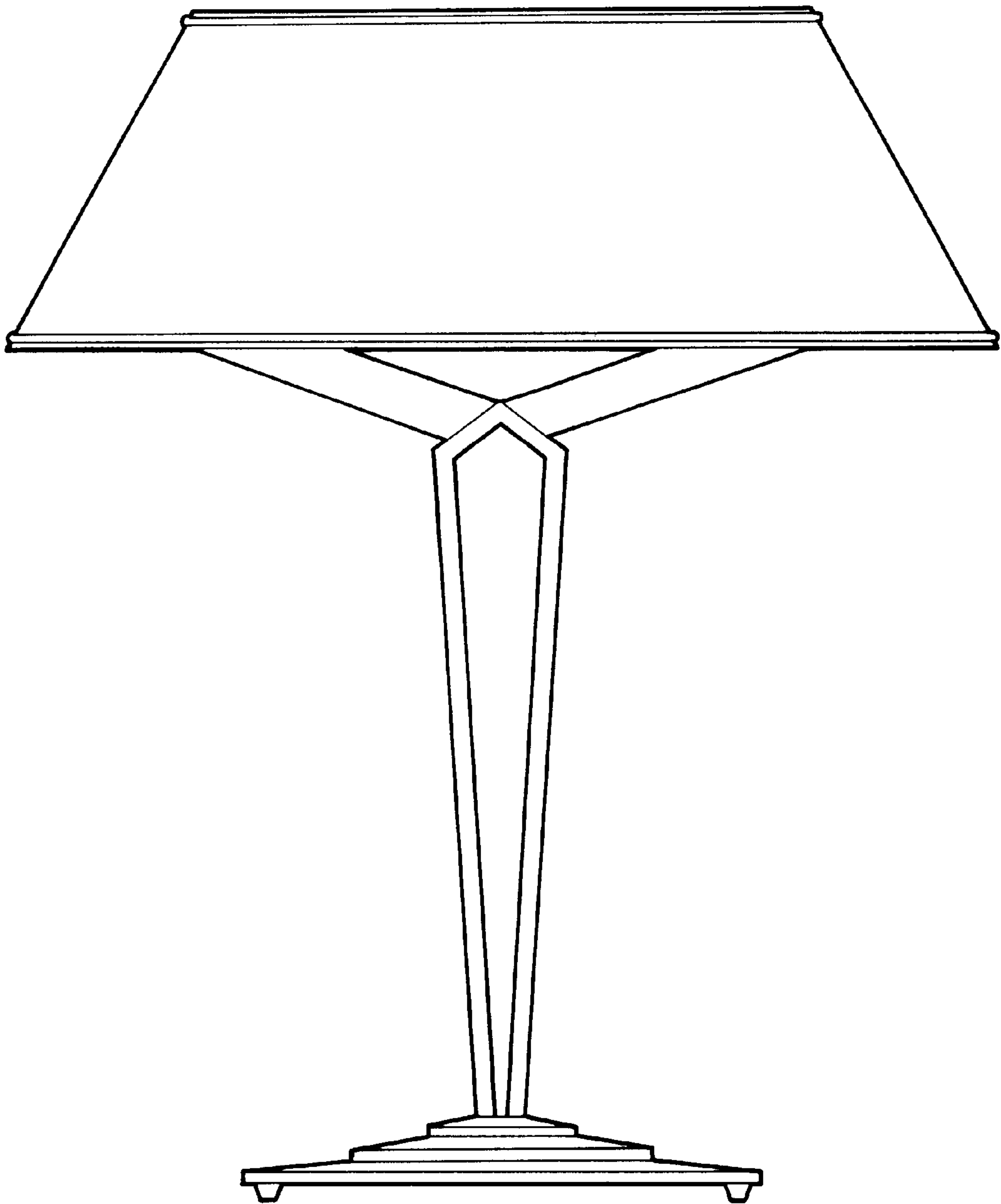


FIG. 6

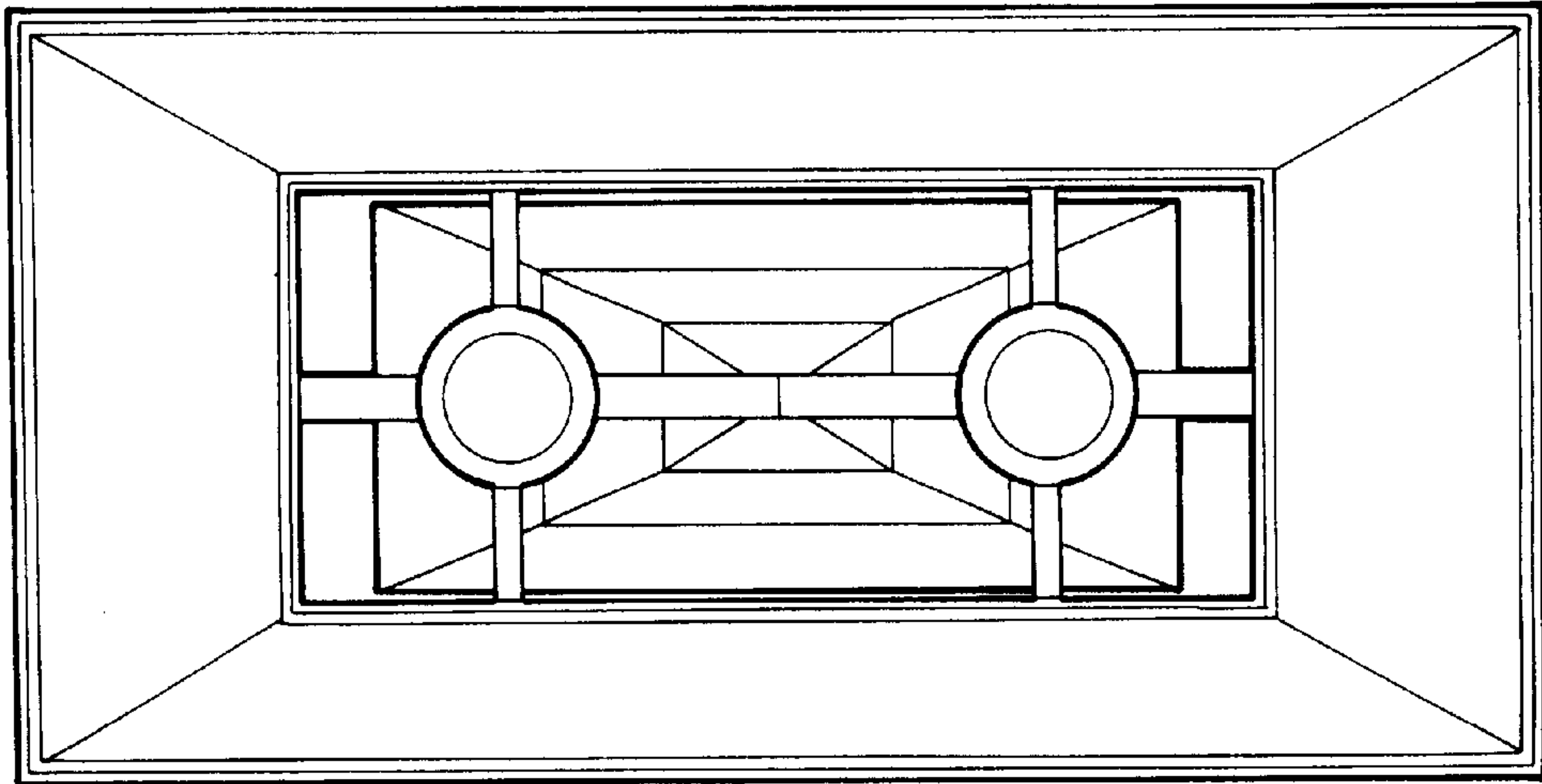


FIG. 7

