



US00D434165S

# United States Patent [19]

Hiller et al.

[11] Patent Number: **Des. 434,165**

[45] Date of Patent: **\*\* Nov. 21, 2000**

[54] **OUTDOOR LAMP**

[75] Inventors: **Raymond J. Hiller**, Chapel Hill;  
**Michael Drake**, Stoney Creek, both of  
N.C.

[73] Assignee: **Regent Lighting Corporation**,  
Burlington, N.C.

[\*\*] Term: **14 Years**

[21] Appl. No.: **29/110,266**

[22] Filed: **Sep. 1, 1999**

[51] **LOC (7) Cl.** ..... **26-05**

[52] **U.S. Cl.** ..... **D26/65**

[58] **Field of Search** ..... D26/60-66, 118;  
362/267, 271, 272, 275, 276, 288, 427,  
428, 429, 418, 49, 341, 345, 347, 349,  
359, 361, 362, 383, 384, 385

[56] **References Cited**

**U.S. PATENT DOCUMENTS**

D. 361,149 8/1995 Wedell ..... D26/63

D. 374,496 10/1996 Small et al. .... D26/63  
D. 392,406 3/1998 Morrow et al. .... D26/65

**OTHER PUBLICATIONS**

Koch + Lowy track light catalog, 5-1978, p. 2, track light  
# J-701.

*Primary Examiner*—Susan J. Lucas  
*Attorney, Agent, or Firm*—Niro, Scavone, Haller & Niro

[57] **CLAIM**

We claim the ornamental design for an outdoor lamp, as  
shown and described.

**DESCRIPTION**

FIG. 1 is a perspective view taken from the left side of the  
new design, it being understood that the outdoor lamp is  
symmetrical;

FIG. 2 is a top plan view thereof; and,

FIG. 3 is a front plan view thereof.

**1 Claim, 1 Drawing Sheet**

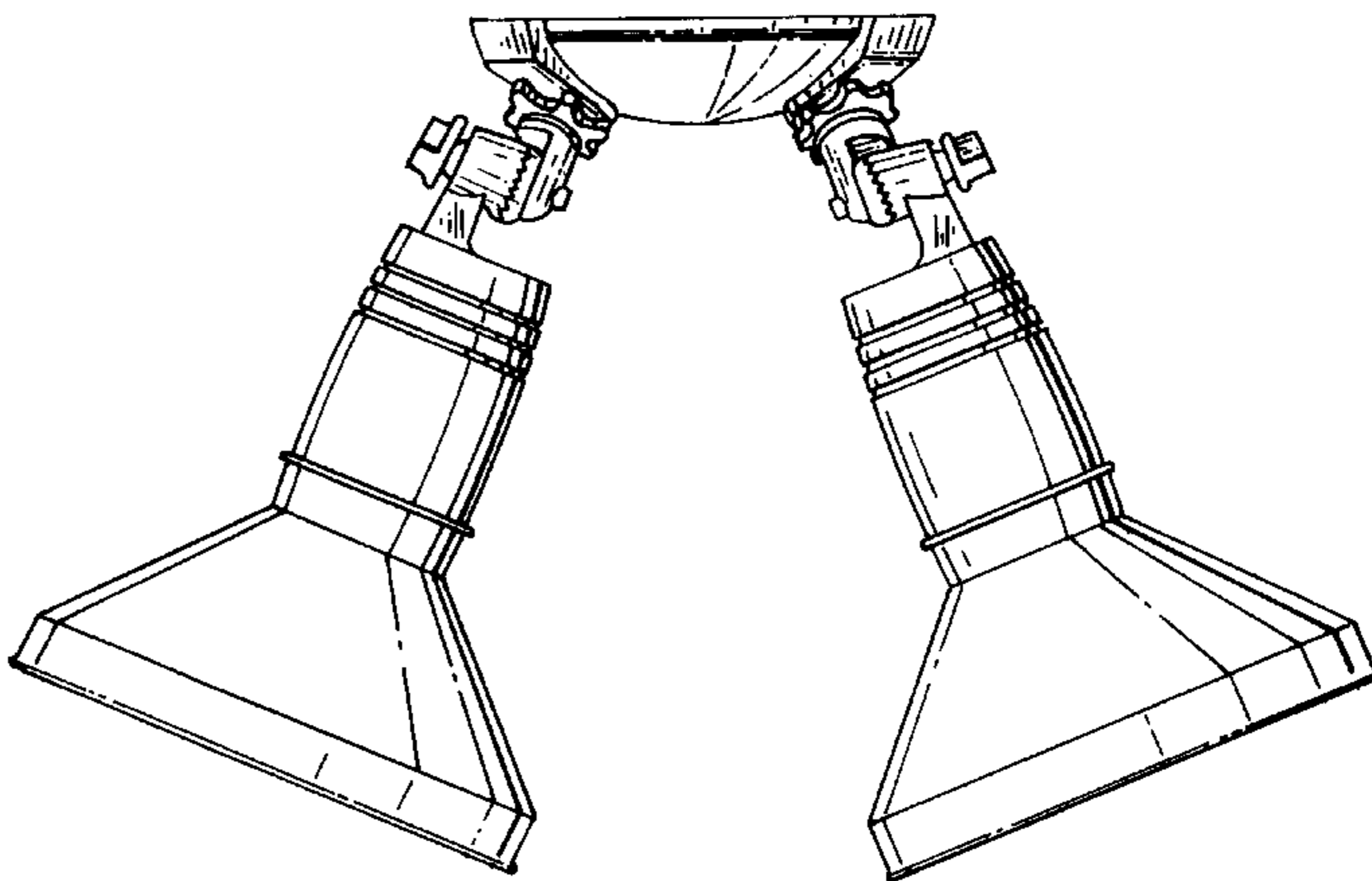
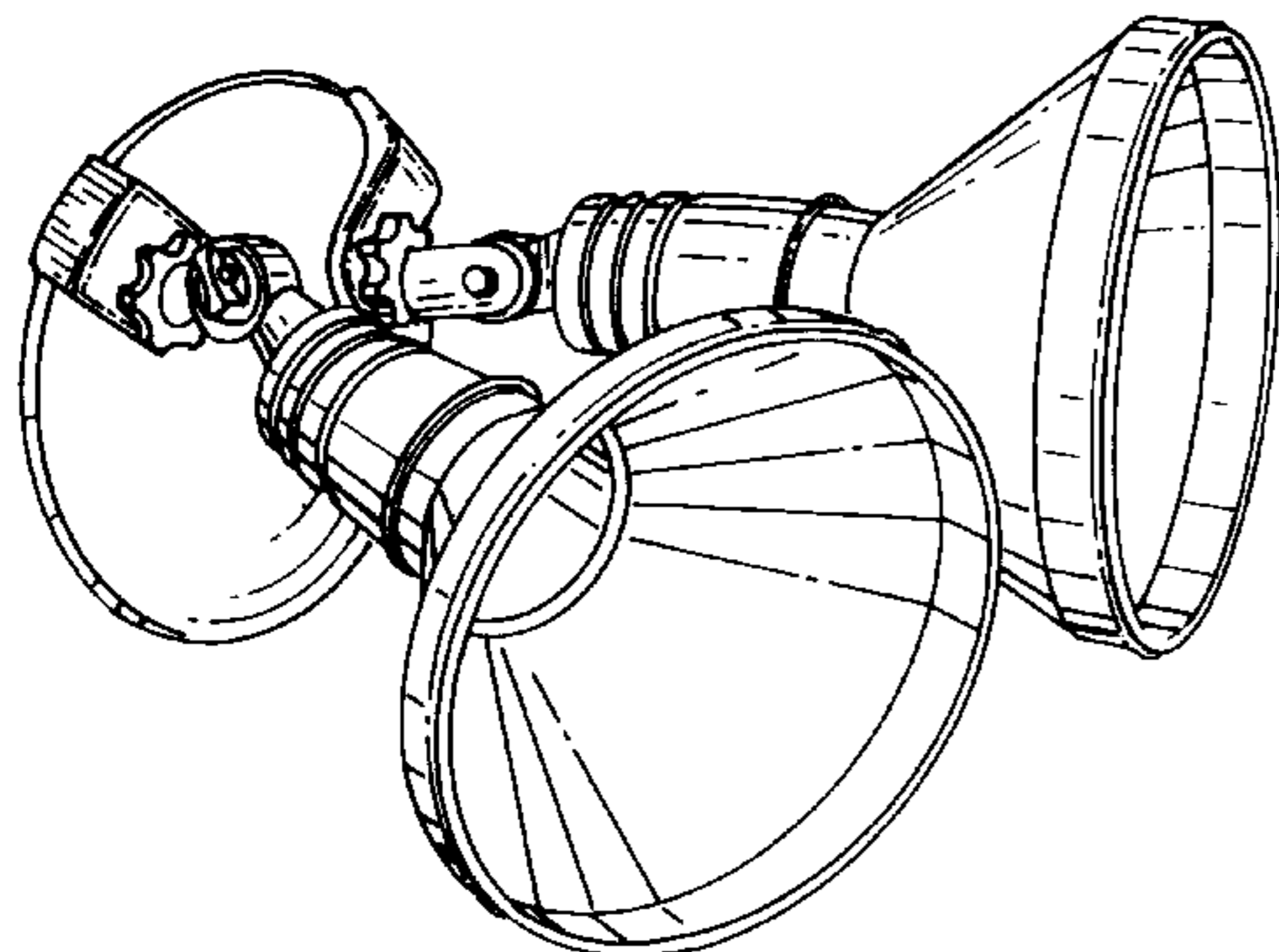


FIG. 1

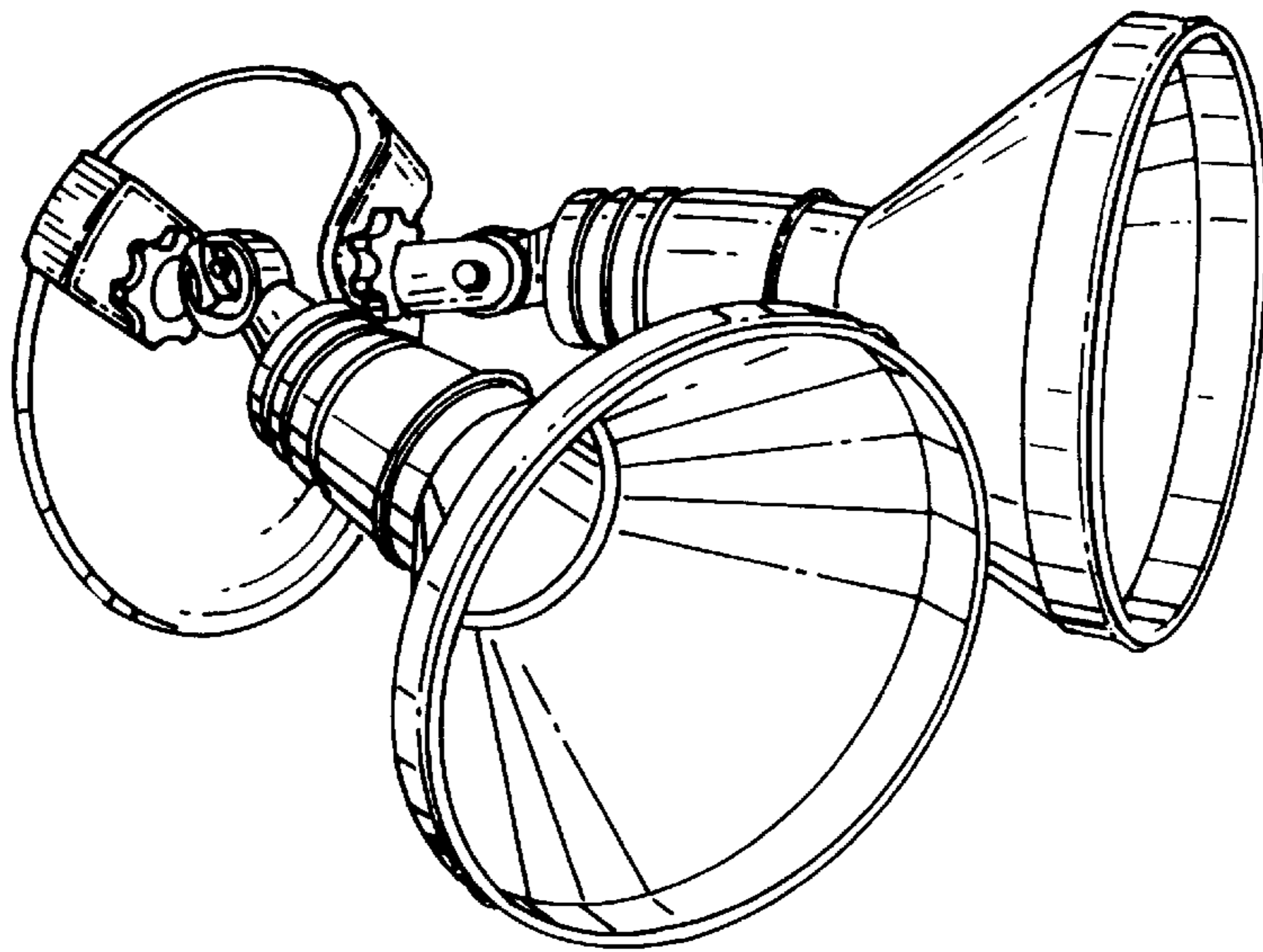


FIG. 2

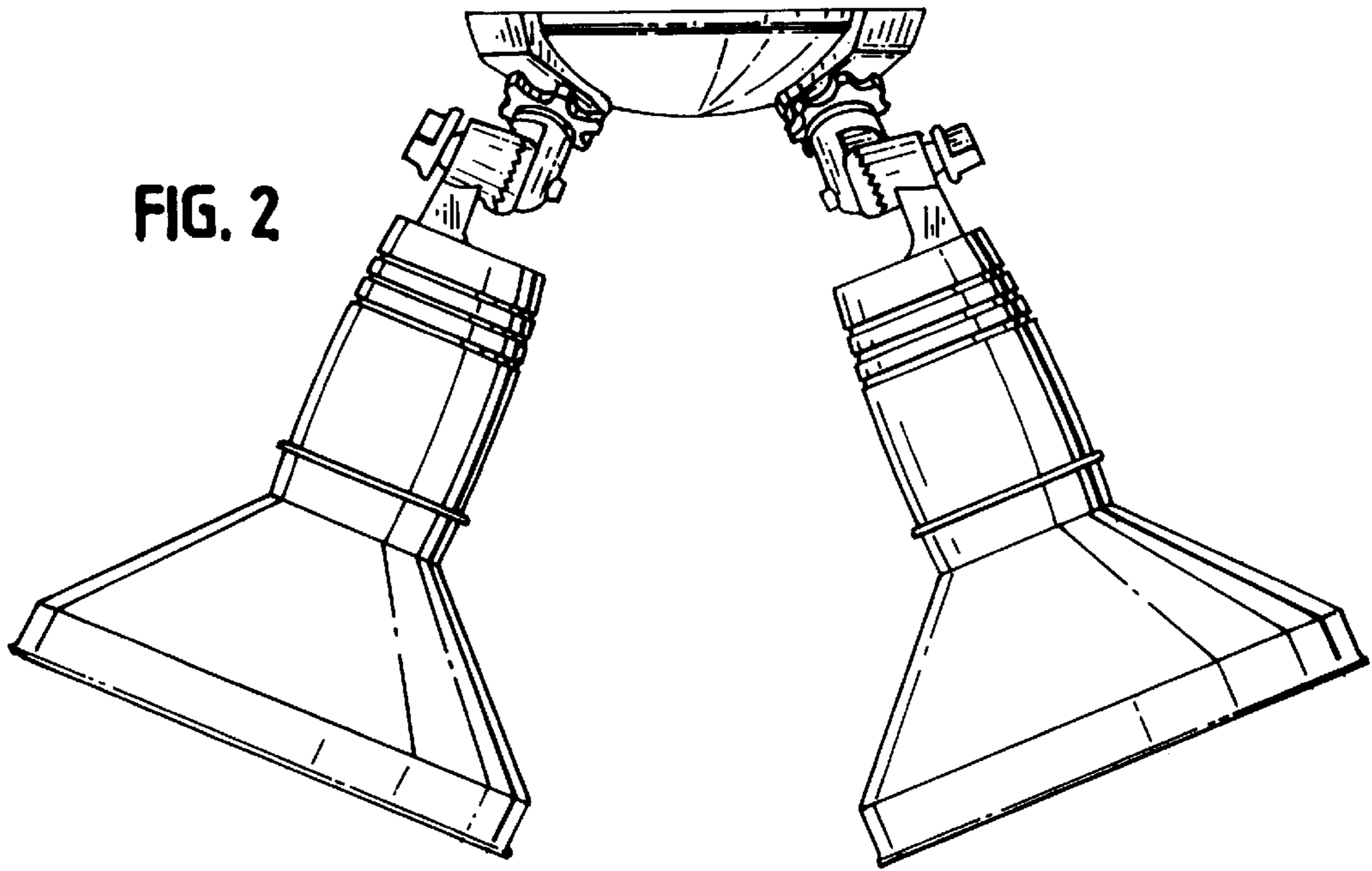


FIG. 3

