



US00D434163S

**United States Patent** [19]  
**Lee**

[11] **Patent Number: Des. 434,163**

[45] **Date of Patent: \*\* Nov. 21, 2000**

[54] **LANTERN**

D. 421,660 3/2000 Shing ..... D26/40

[75] Inventor: **Wen-Sung Lee**, Taichung, Taiwan

*Primary Examiner*—Marcus A. Jackson  
*Attorney, Agent, or Firm*—Alan Kamrath; Oppenheimer  
Wolff & Donnelly LLP

[73] Assignee: **Leh Chu Enterprise Co., Ltd.**,  
Taichung, Taiwan

[\*\*] Term: **14 Years**

[57] **CLAIM**

The ornamental design for a lantern, as shown and described.

[21] Appl. No.: **29/115,436**

[22] Filed: **Dec. 13, 1999**

**DESCRIPTION**

[51] **LOC (7) Cl.** ..... **26-02**

FIG. 1 is a perspective view of a lantern showing my new design;

[52] **U.S. Cl.** ..... **D26/40**

FIG. 2 is a front elevational view thereof;

[58] **Field of Search** ..... D26/37–50; 362/157,  
362/158, 183–205

FIG. 3 is a rear elevational view thereof;

FIG. 4 is a left side elevational view thereof;

FIG. 5 is a right side elevational view thereof;

FIG. 6 is a top plan view thereof; and,

FIG. 7 is a bottom plan view thereof.

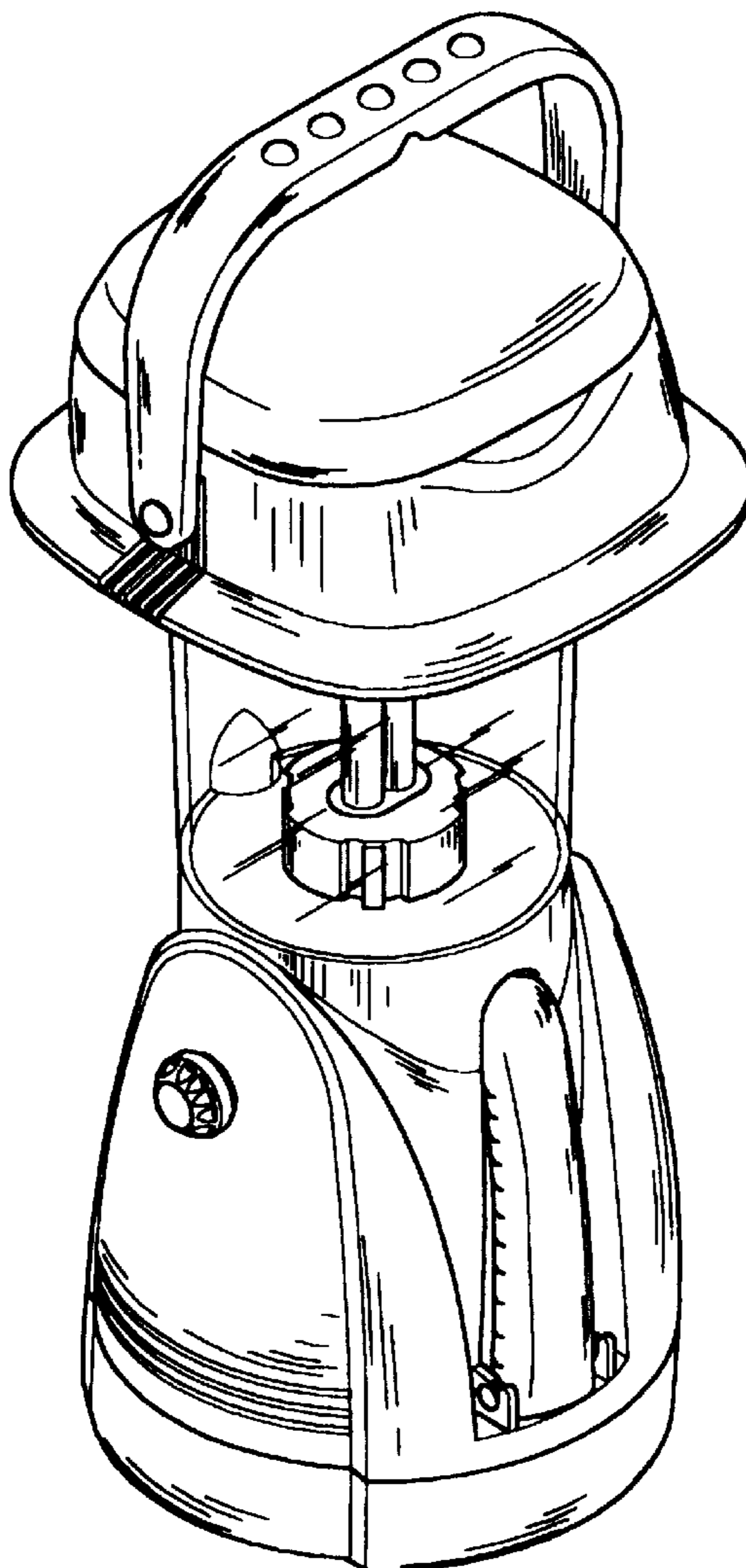
[56] **References Cited**

**U.S. PATENT DOCUMENTS**

D. 296,010 5/1988 Wan ..... D26/40

D. 311,964 11/1990 Wan ..... D26/40

**1 Claim, 4 Drawing Sheets**



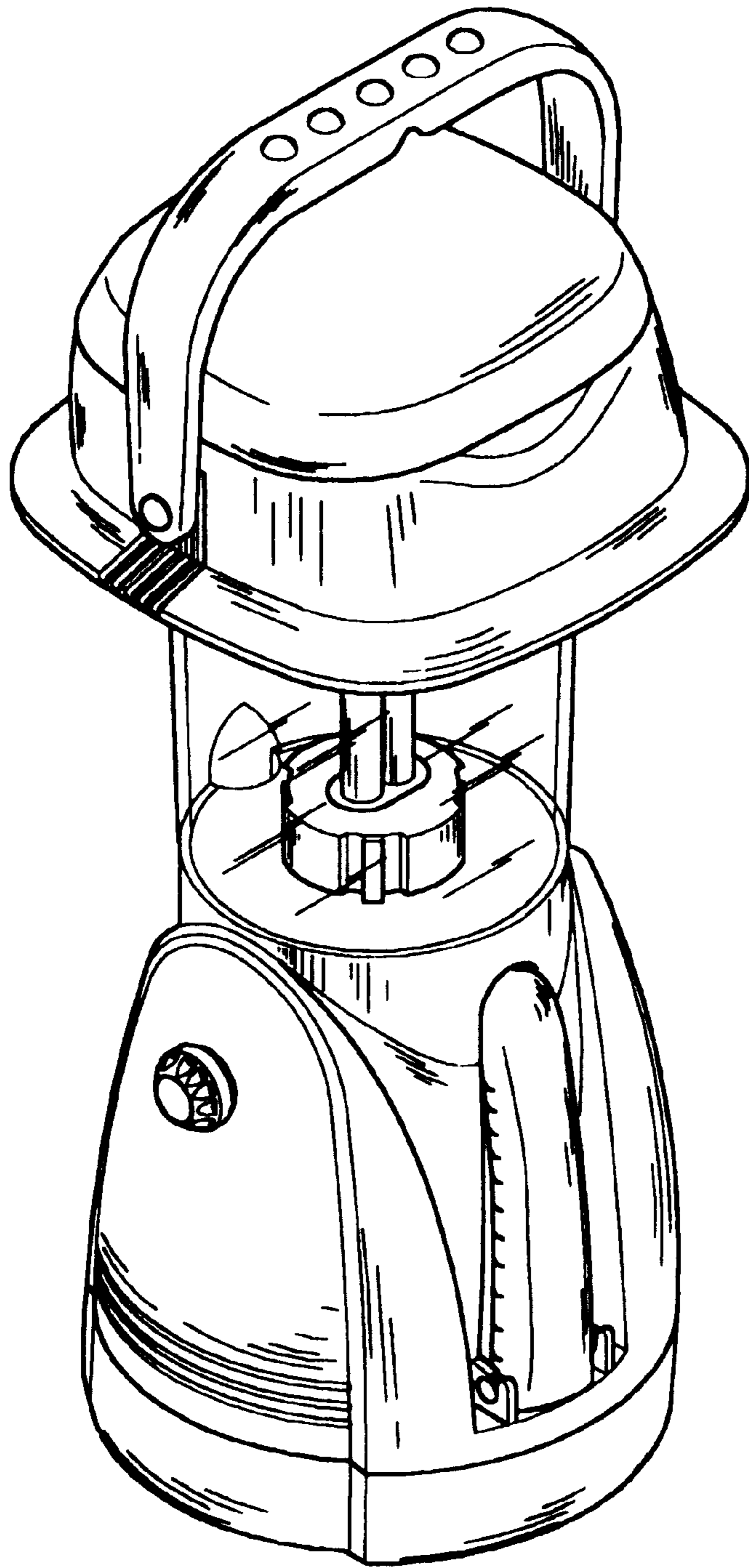


FIG. 1

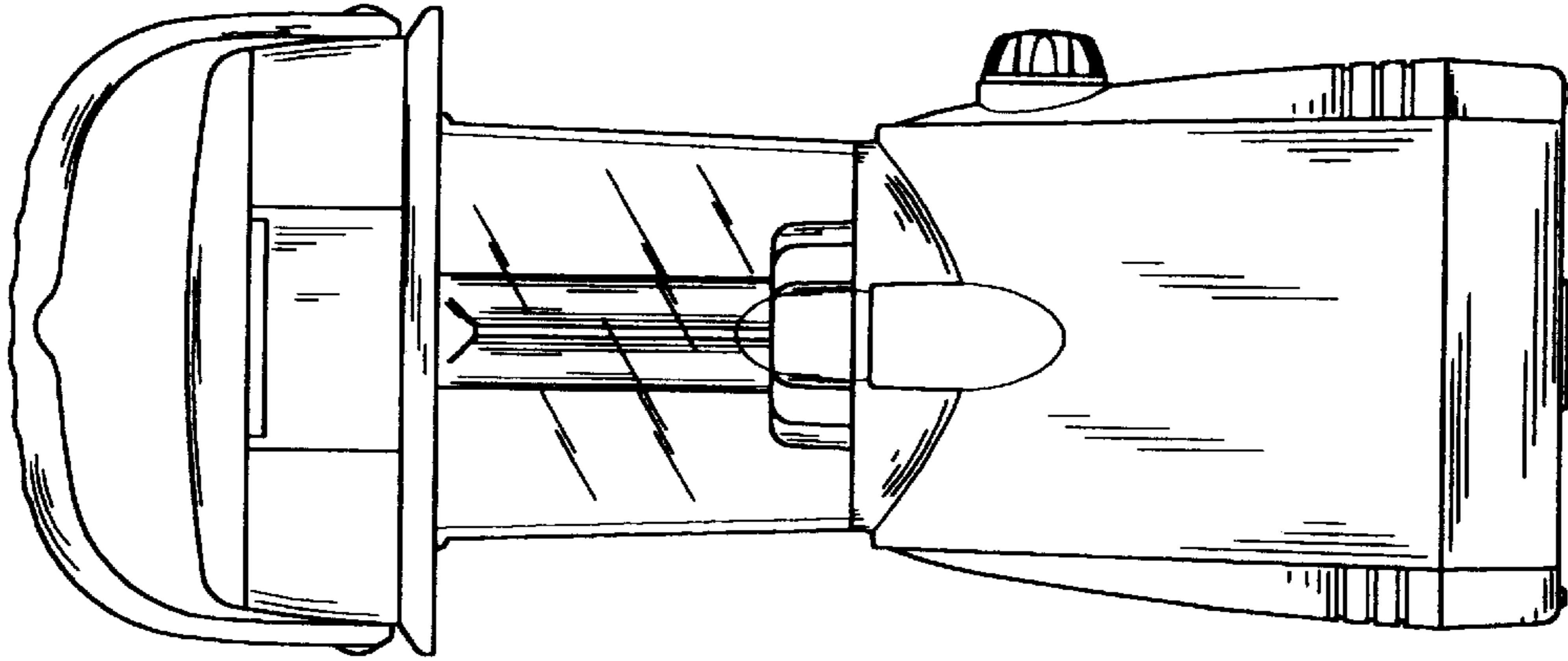


FIG. 3

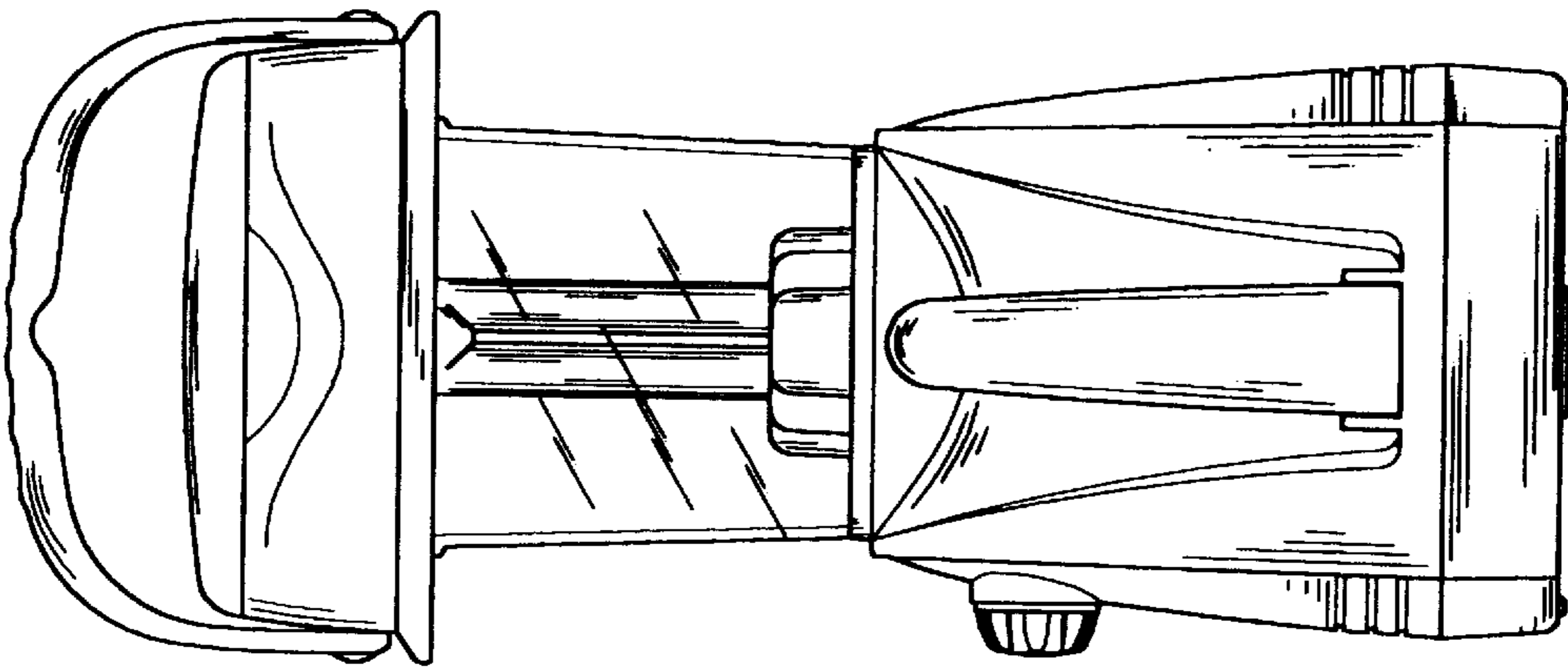


FIG. 2

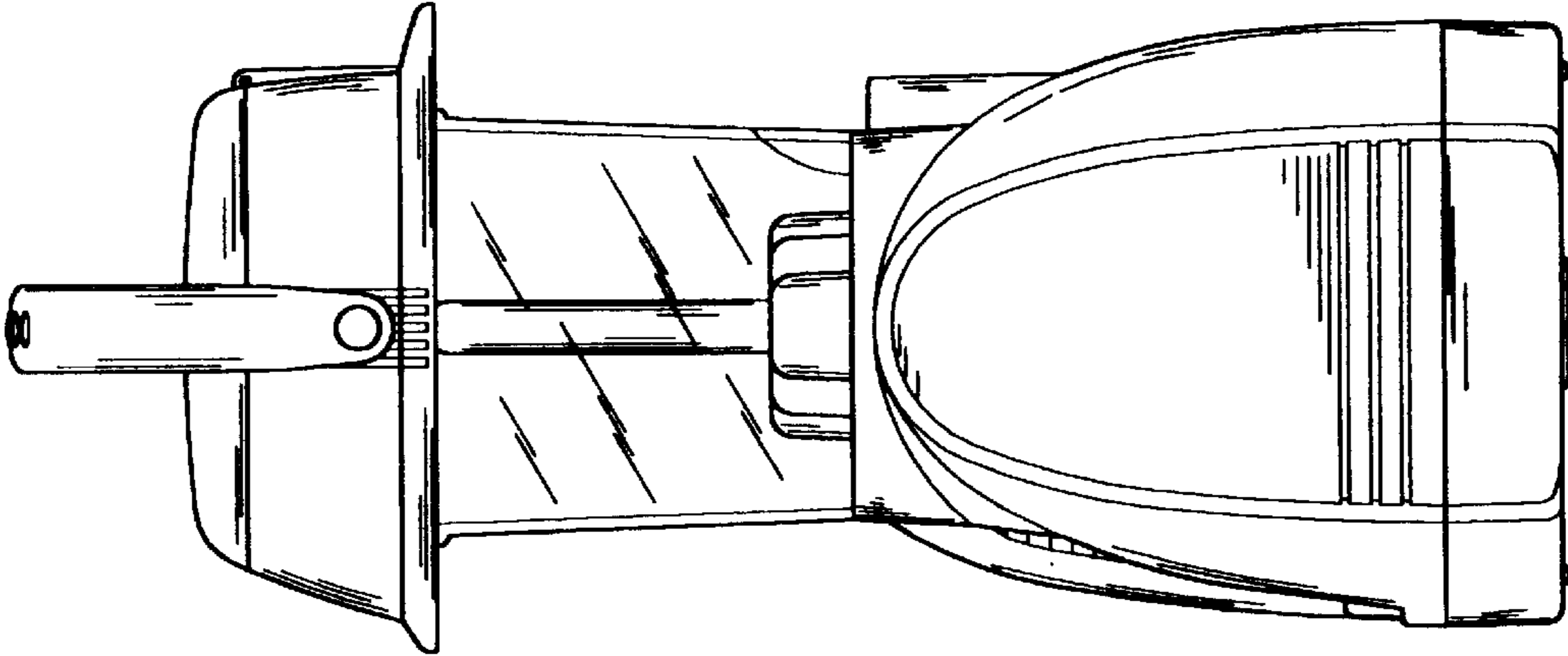


FIG. 5

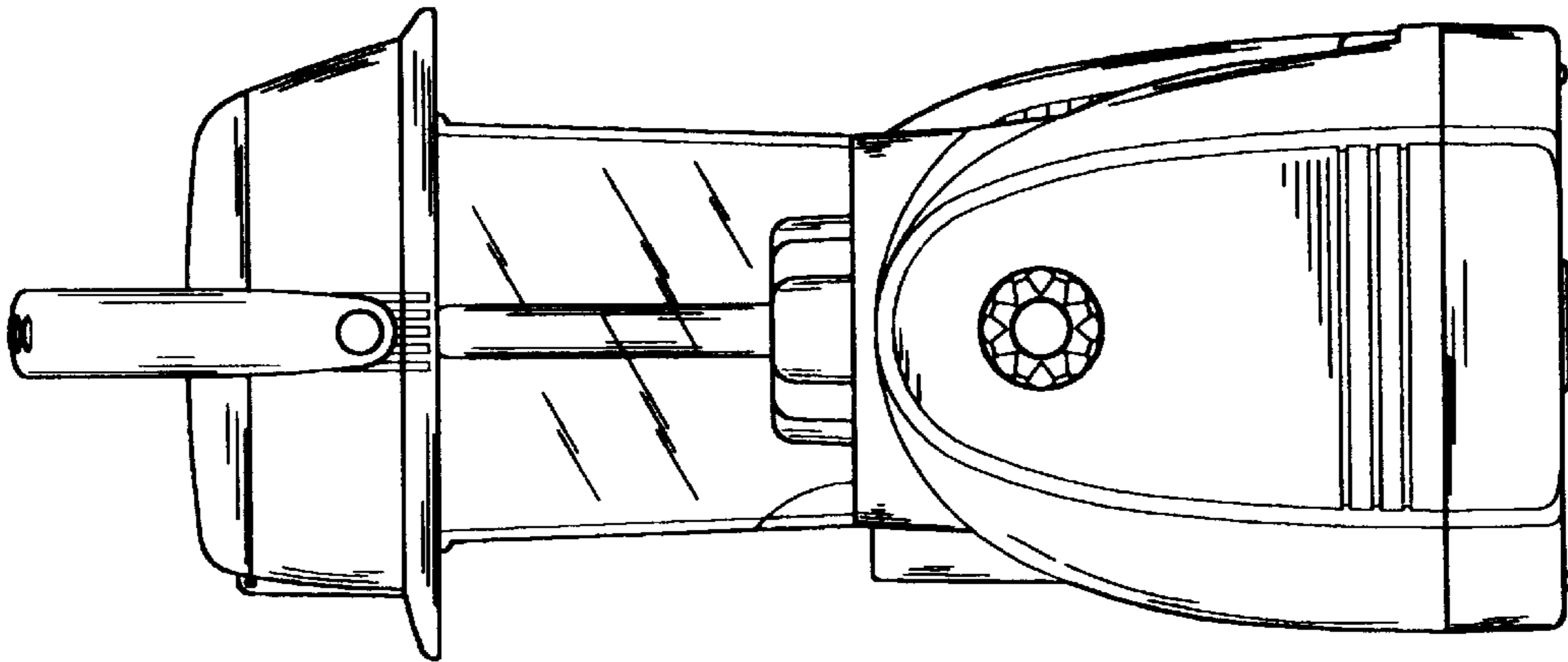


FIG. 4

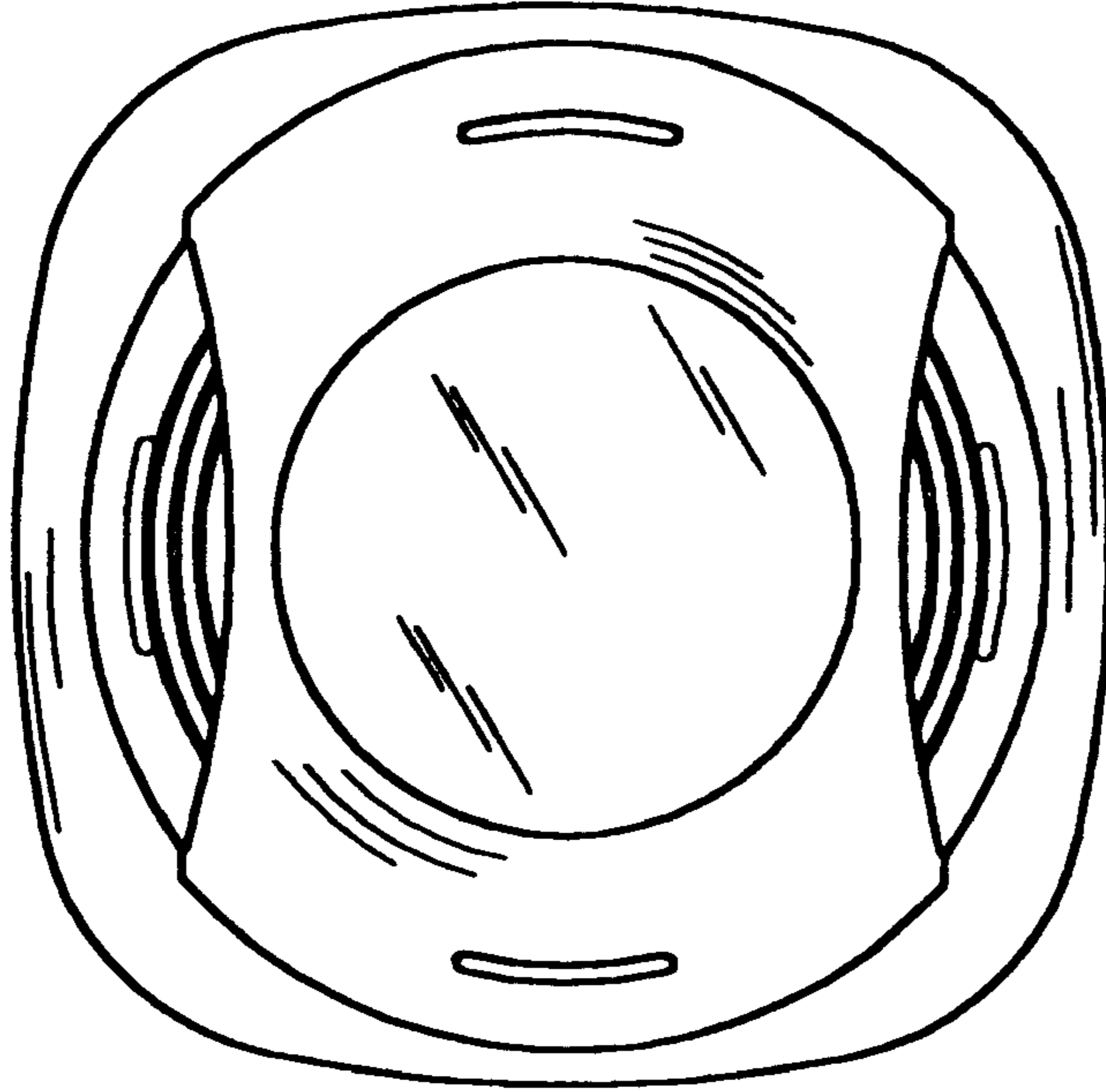


FIG. 7

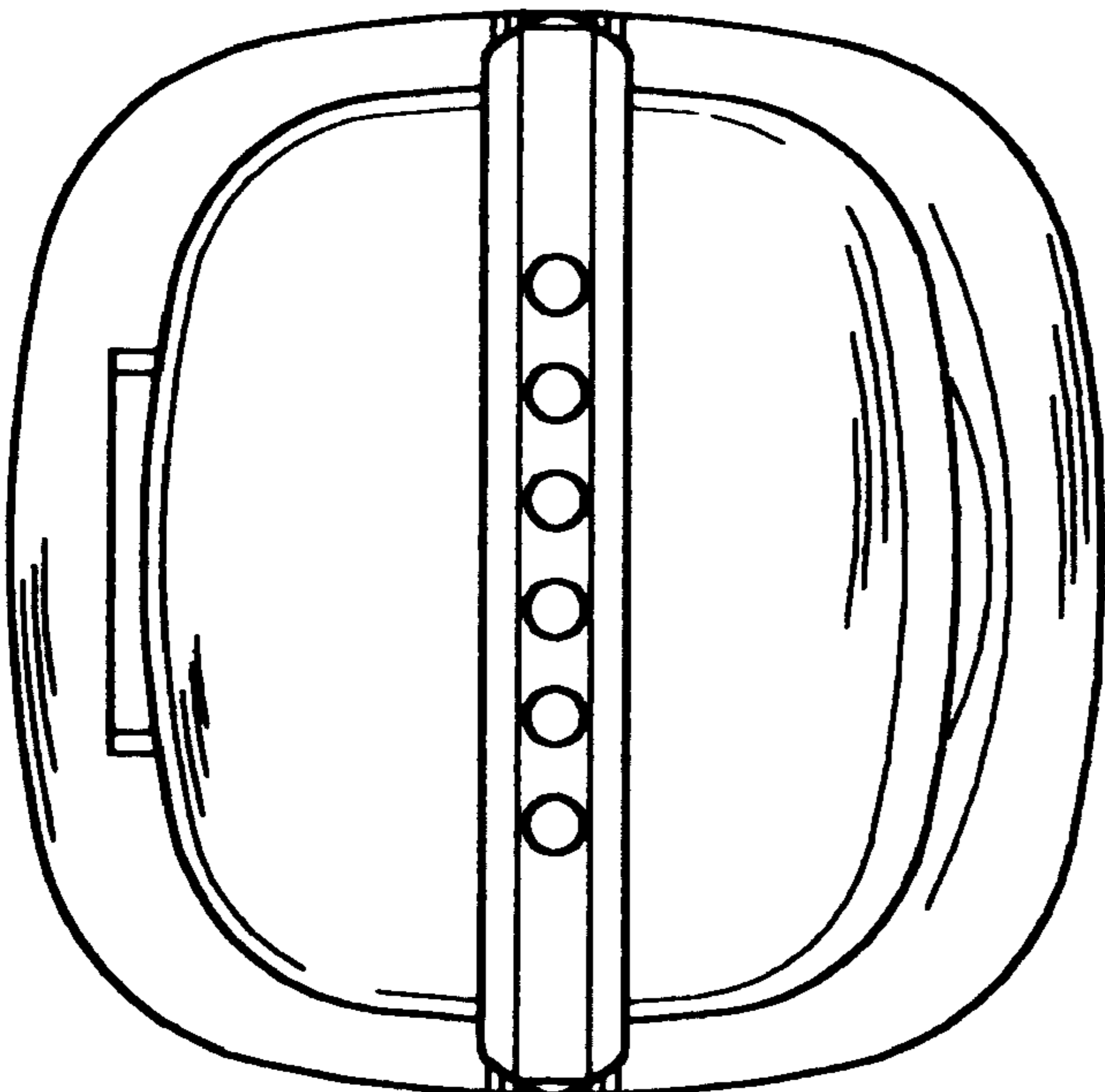


FIG. 6