



US00D434161S

United States Patent [19] Fritzinger

[11] **Patent Number: Des. 434,161**

[45] **Date of Patent: ** Nov. 21, 2000**

[54] **LIGHTING UNIT FOR VEHICLES**

[75] Inventor: **Daniel D. Fritzinger**, Grabill, Ind.

[73] Assignee: **Theodore Bargman, Inc.**, Albion, Ind.

[**] Term: **14 Years**

[21] Appl. No.: **29/113,015**

[22] Filed: **Oct. 28, 1999**

[51] **LOC (7) Cl.** **26-06**

[52] **U.S. Cl.** **D26/35**

[58] **Field of Search** D26/28-36; 362/61,
362/72, 80, 80.1, 83, 83.3; 340/432, 463,
468-475

4,835,666	5/1989	Feger et al. .
4,851,810	7/1989	Vitale et al. .
4,855,877	8/1989	Otaka .
4,942,503	7/1990	Lyons .
4,965,704	10/1990	Osoborne, Sr. .
5,001,610	3/1991	Otaka .
5,055,983	10/1991	Hunold et al. .
5,560,701	10/1996	Payne .

Primary Examiner—Marcus A. Jackson
Attorney, Agent, or Firm—Price, Heneveld, Cooper, DeWitt & Litton

[57] **CLAIM**

The ornamental design for a lighting unit for vehicles, as shown and described.

DESCRIPTION

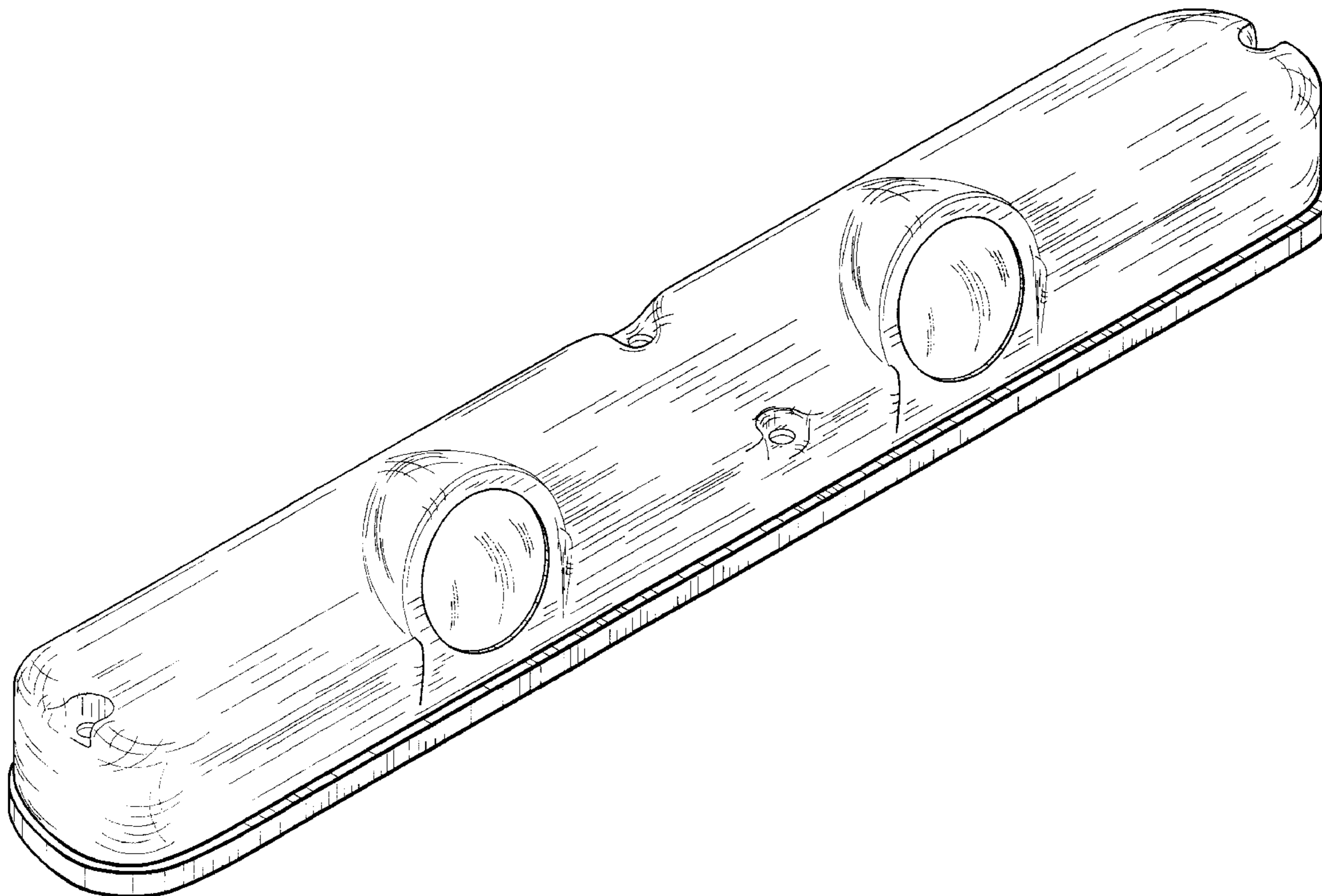
FIG. 1 is a perspective view thereof;
FIG. 2 is a top plan view thereof;
FIG. 3 is a side view thereof;
FIG. 4 is one end view;
FIG. 5 is a side view showing the other side thereof;
FIG. 6 is the other end view; and,
FIG. 7 is a bottom plan view thereof.

1 Claim, 3 Drawing Sheets

[56] **References Cited**

U.S. PATENT DOCUMENTS

D. 175,657	7/1955	Uttz	D26/31
D. 274,001	5/1984	Sailers	D26/35
D. 321,947	11/1991	Rudd et al.	D26/35
1,759,299	5/1930	Chuprin et al.	.	
4,569,002	2/1986	English et al.	.	
4,620,268	10/1986	Ferenc	.	
4,707,767	11/1987	Bergin et al.	.	



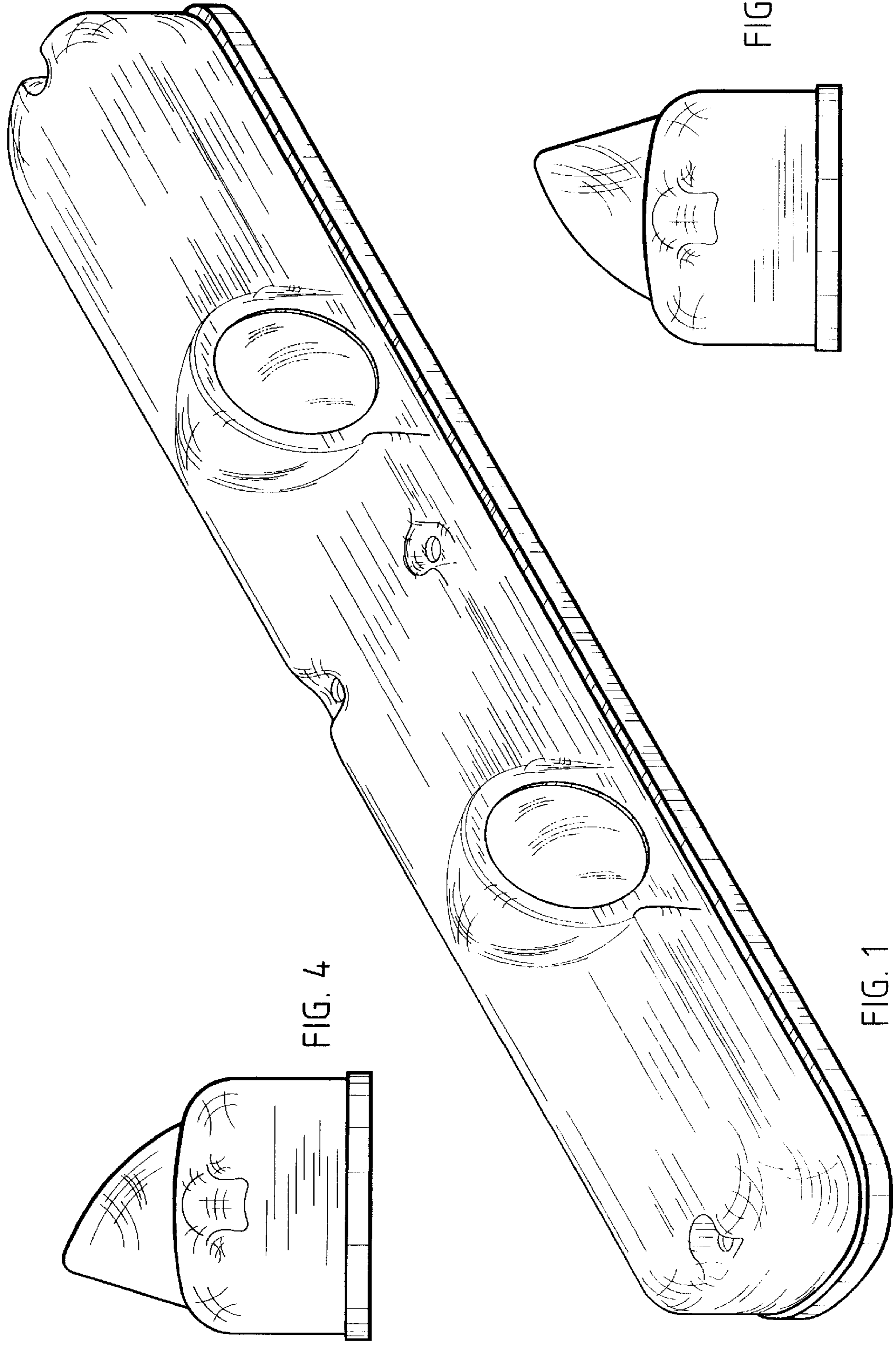


FIG. 4

FIG. 1

FIG. 6

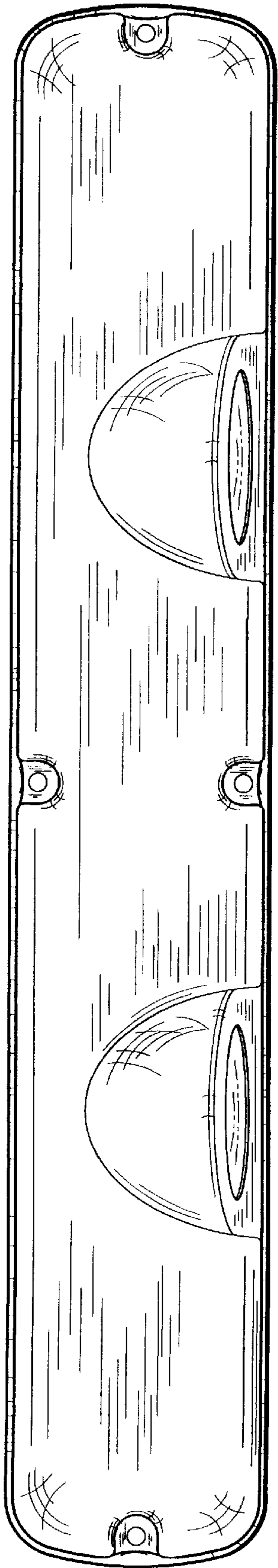


FIG. 2

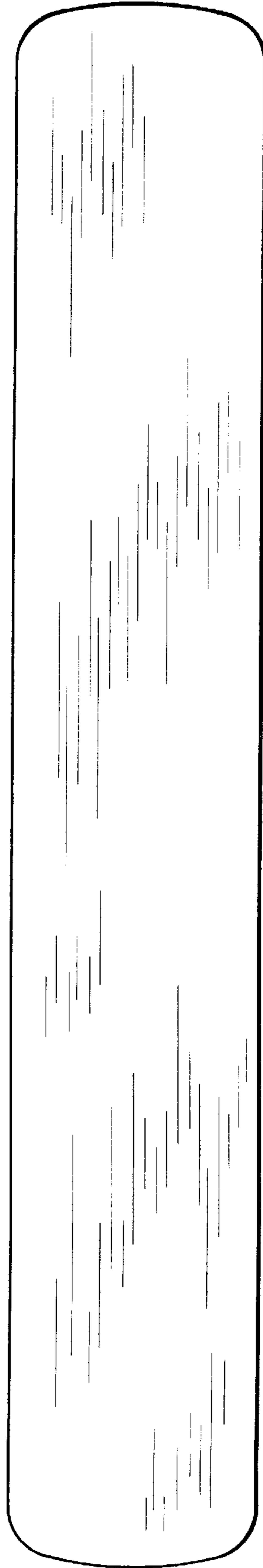


FIG. 7

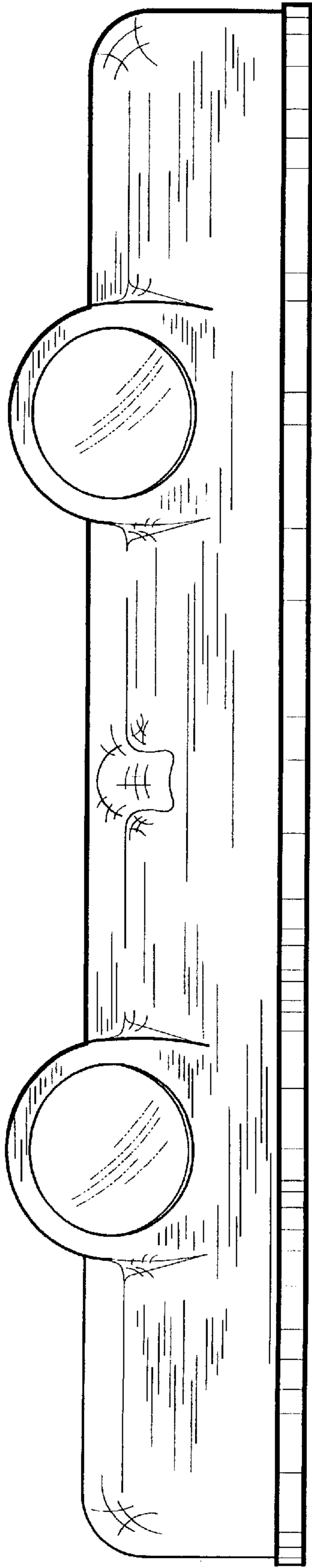


FIG. 3

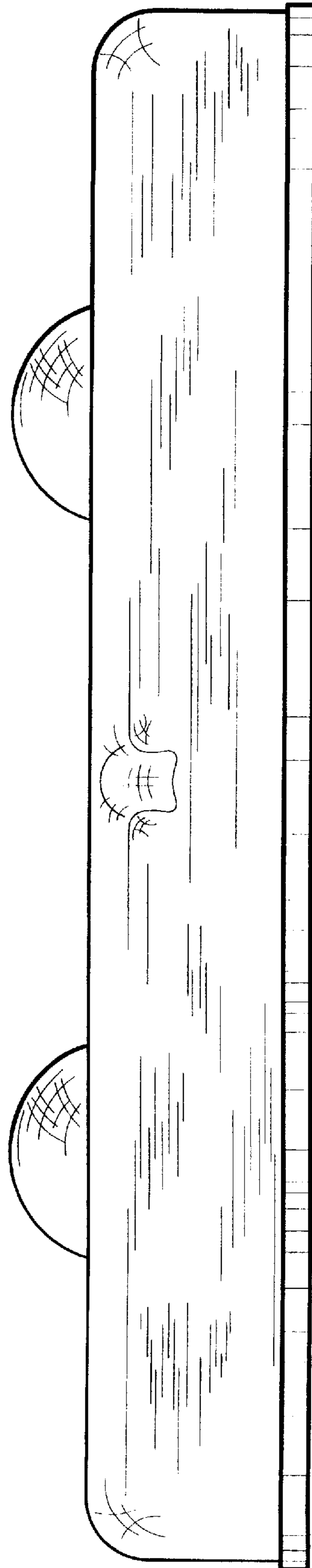


FIG. 5