



US00D434160S

United States Patent [19]
DeBlock

[11] **Patent Number: Des. 434,160**

[45] **Date of Patent: ** Nov. 21, 2000**

[54] **WINDOW FRAME EXTRUSION**

D. 286,187 10/1986 Bancroft D25/125

[75] Inventor: **David A. DeBlock**, Holland, Mich.

[73] Assignee: **ODL, Incorporated**, Zeeland, Mich.

[**] Term: **14 Years**

Primary Examiner—Doris Clark
Attorney, Agent, or Firm—Warner Norcross & Judd LLP

[21] Appl. No.: **29/121,953**

[22] Filed: **Apr. 17, 2000**

[57] **CLAIM**

The ornamental design for window frame extrusion, as shown and described.

[51] **LOC (7) Cl.** **25-01**

[52] **U.S. Cl.** **D25/125**

[58] **Field of Search** D25/52, 60, 119-125;
49/504, 505, DIG. 2; 52/204.5, 730.3, 730.4,
730.5, 204.1, 202, 731, 732

DESCRIPTION

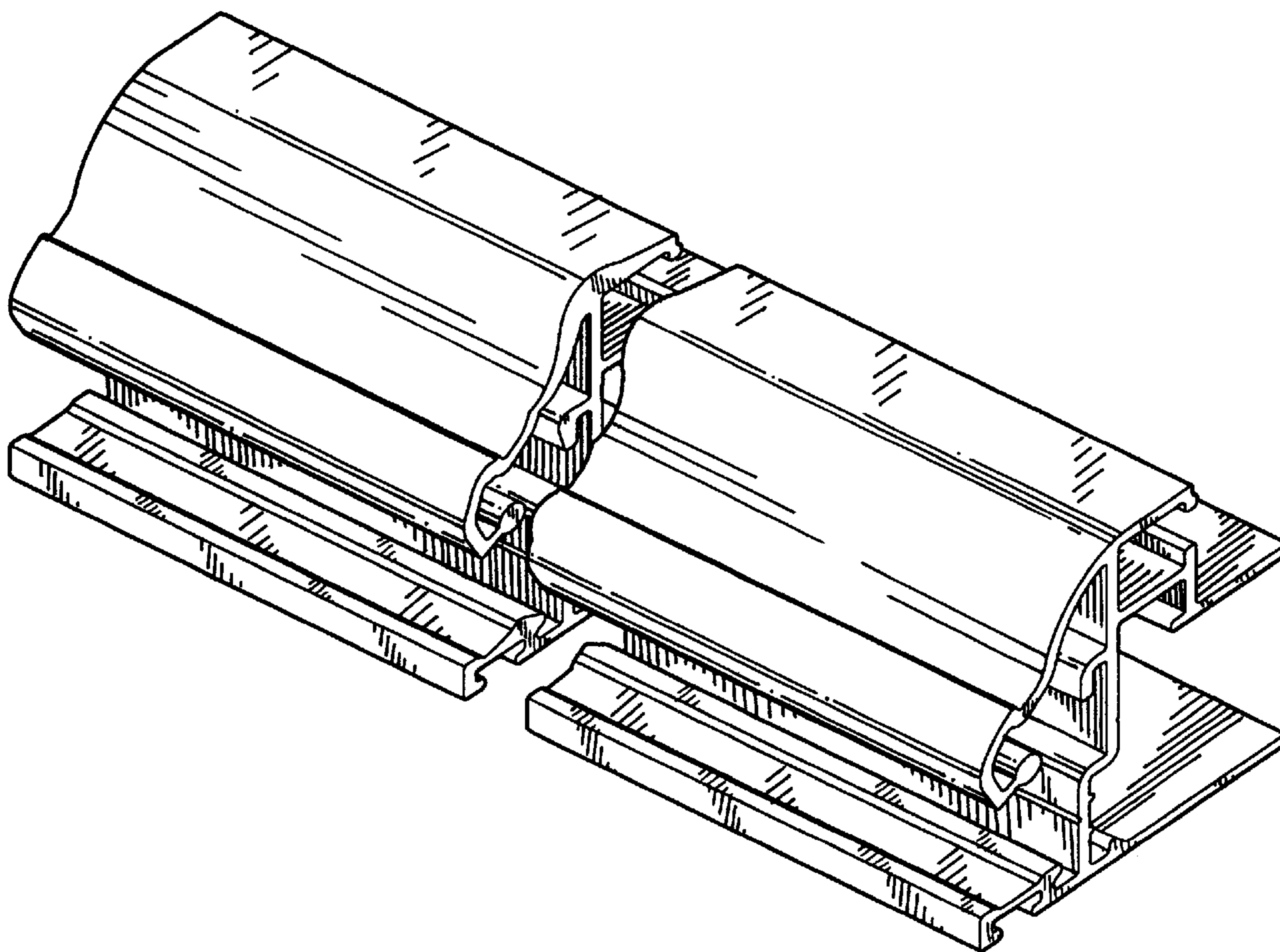
FIG. 1 is a perspective view showing the window frame extrusion of my new design, wherein, the window frame element is broken to show indeterminate length; and, FIG. 2 is an end view thereof.

[56] **References Cited**

U.S. PATENT DOCUMENTS

D. 283,348 4/1986 Bancroft D25/125

1 Claim, 1 Drawing Sheet



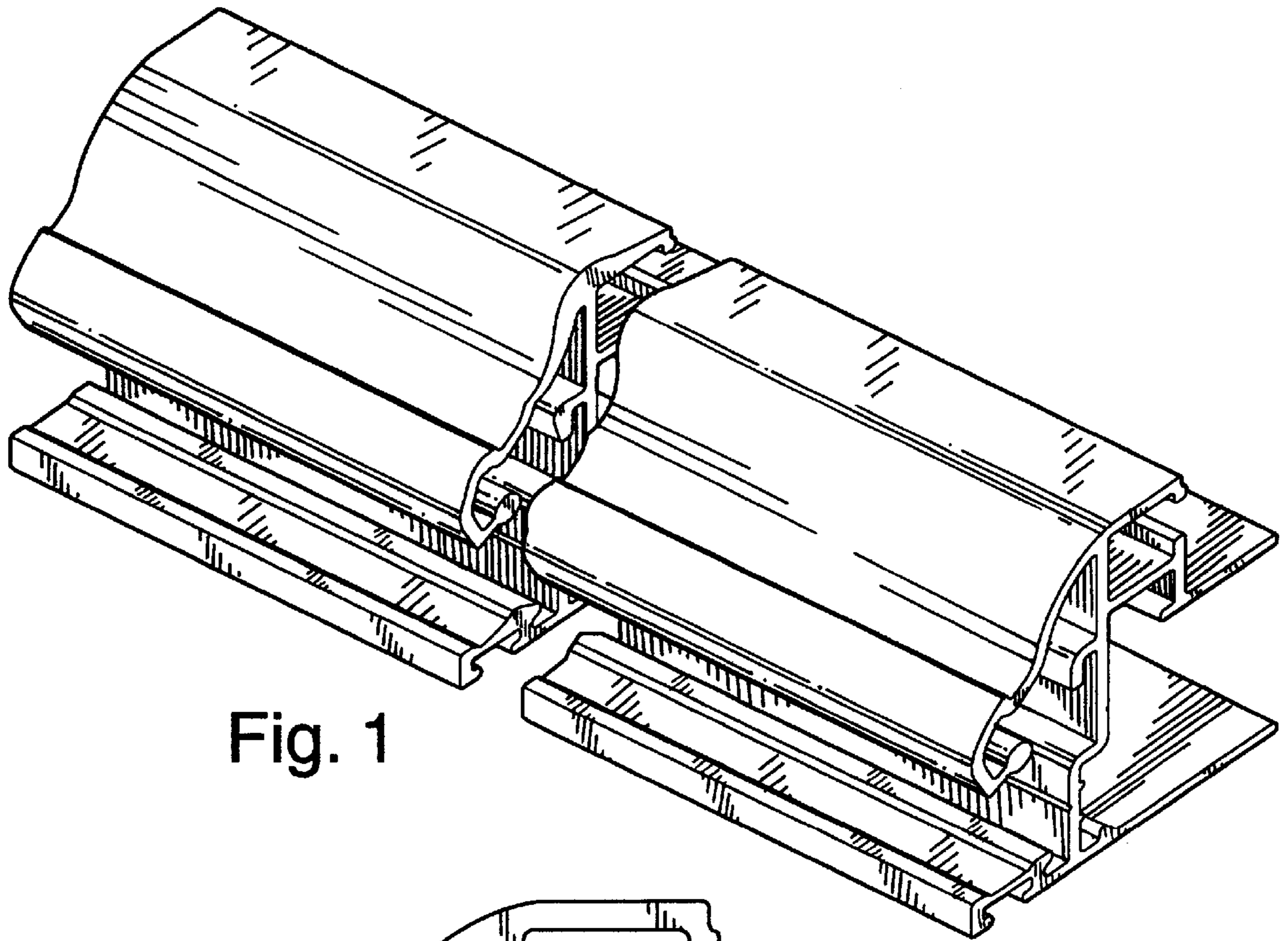


Fig. 1

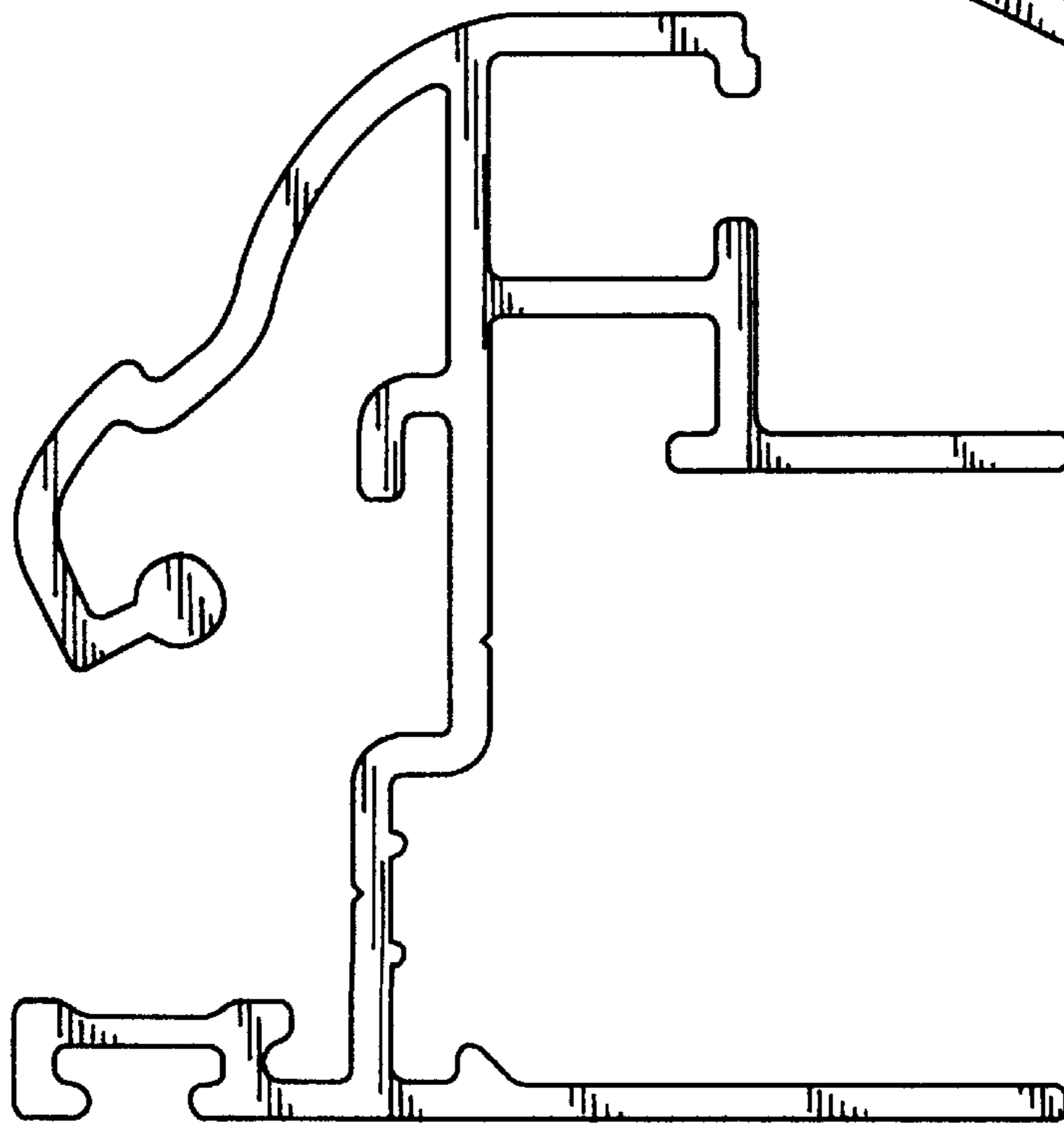


Fig. 2