



US00D434159S

# United States Patent [19] Hampel

[11] **Patent Number: Des. 434,159**

[45] **Date of Patent: \*\* Nov. 21, 2000**

[54] **RESIN STRUCTURE KEYSTONE ORNAMENTATION**

[76] Inventor: **Lance T. Hampel**, 5678 W. Big Portage Lake Rd., Land O'Lakes, Wis. 54540

[\*\*] Term: **14 Years**

[21] Appl. No.: **29/114,643**

[22] Filed: **Nov. 29, 1999**

### Related U.S. Application Data

[63] Continuation-in-part of application No. 29/100,873, Feb. 19, 1999, Pat. No. Des. 421,500.

[51] **LOC (7) Cl. .... 25-01**

[52] **U.S. Cl. .... D25/113**

[58] **Field of Search .... 52/575; D25/113**

### [56] References Cited

#### U.S. PATENT DOCUMENTS

D. 275,520	9/1984	Harding et al. ....	D25/16
D. 311,444	10/1990	Forsberg .....	D25/113
1,374,490	4/1921	Chrisman .....	52/575
4,380,836	4/1983	Braxton .....	4/460
4,446,585	5/1984	Harding et al. ....	4/460
4,493,118	1/1985	Braxton .....	4/460
4,574,025	3/1986	Juaire et al. ....	156/245
5,069,015	12/1991	Steinvender .....	52/575

#### OTHER PUBLICATIONS

Applicant's Exhibit A, "TUFF-JON" four-page color brochure of the TSF Company, Inc., Evansville, IN, undated.  
Applicant's Exhibit B, "The Shed" two-page color brochure of Hampel Corp., Germantown, WI, undated.

Applicant's Exhibit C, two-page color brochure of Olympic Fiberglass Industries, Inc., Rochester, IN, undated.

Applicant's Exhibit D, four-page color brochure of Poly-Portables, Inc., Dahlonga, GA, undated.

Applicant's Exhibit E, "Get the Works at PolyJohn", two-page color brochure of PolyJohn, Whiting, IN, 1999.

Applicant's Exhibit F, "Nu-Concepts '99 VIP Portable Restroom" four-page color brochure of Nu-Concepts, Ontario, Canada, undated.

Applicant's Exhibit G, "No. 1 in Europe", two-page color brochure of Thal-Mondo, Staffordshire, England.

Applicant's Exhibit H, "High Tech 1", ten-page color brochure of Synegy World, Inc., St. Louis, MO, undated.

Applicant's Exhibit I, "Eagle Star", two-page color brochure of American Poly Corporation, Zeeland, MI, undated.

Applicant's Exhibit J, "Maxim 2000", four-page color brochure of Satellite Industries, Inc., Minneapolis, MN, undated.

*Primary Examiner*—Doris Clark

*Attorney, Agent, or Firm*—Quarles & Brady LLP

### [57] CLAIM

The ornamental design for a resin structure keystone ornamentation, as shown and described.

### DESCRIPTION

FIG. 1 is a perspective view of a resin structure keystone ornamentation showing my new design.

FIG. 2 is a front view thereof;

FIG. 3 is a right side view thereof;

FIG. 4 is a top view thereof; and,

FIG. 5 is a bottom view thereof.

The phantom line representations in FIGS. 1-5 are exemplary and form no part of the invention.

**1 Claim, 3 Drawing Sheets**

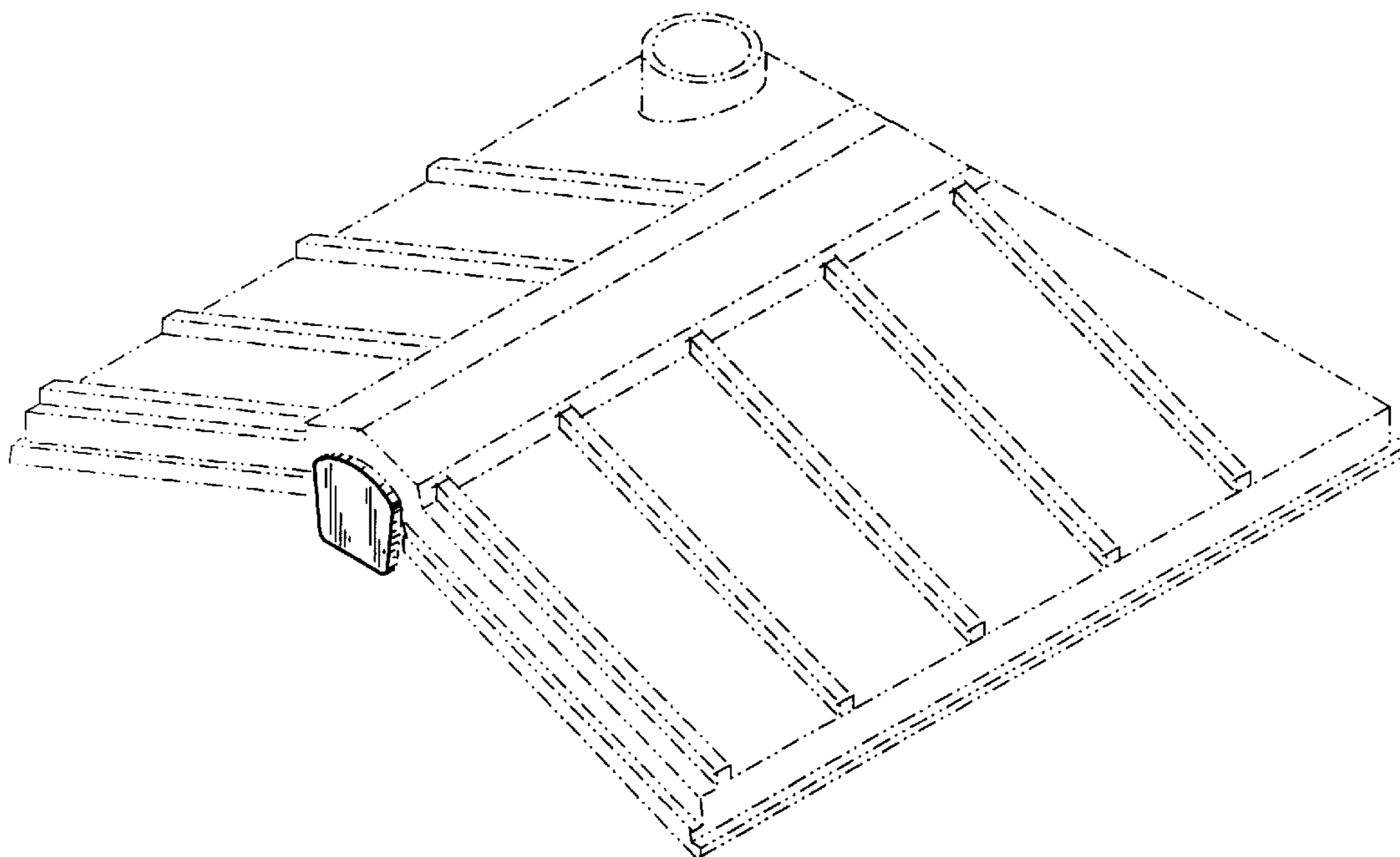


FIG. 1

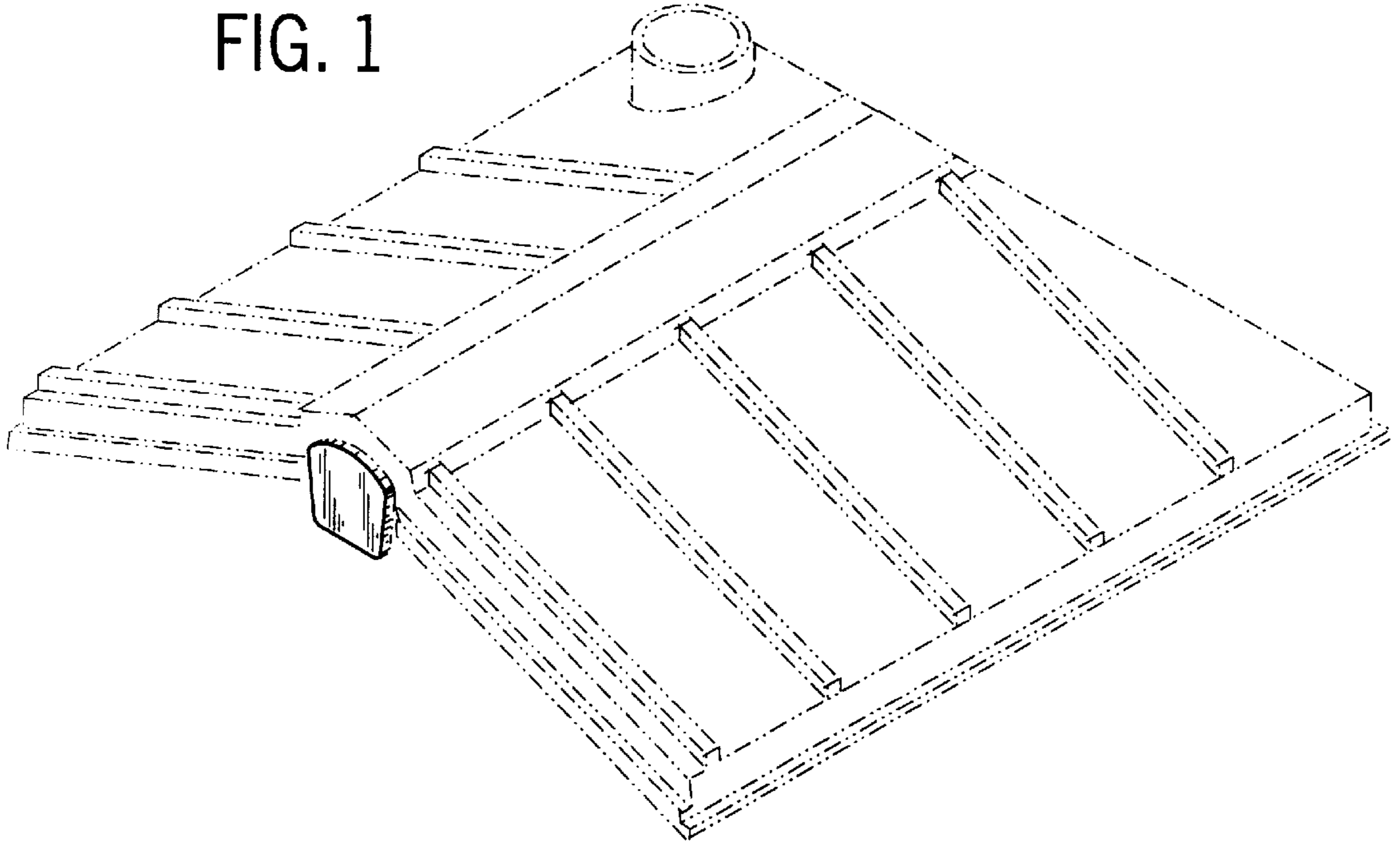


FIG. 2

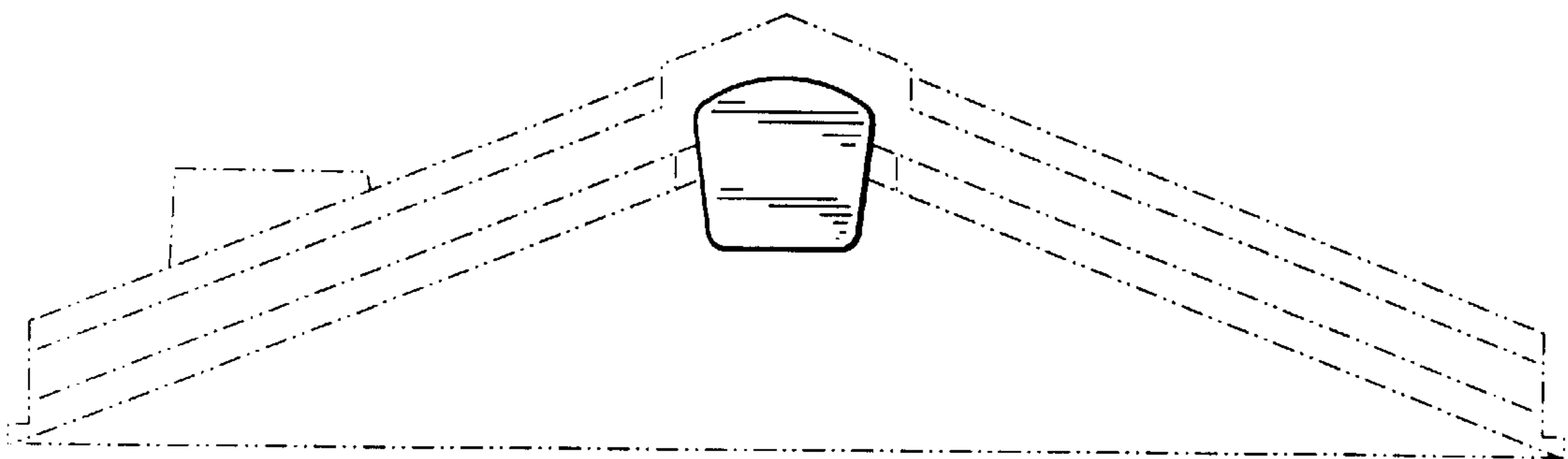


FIG. 4

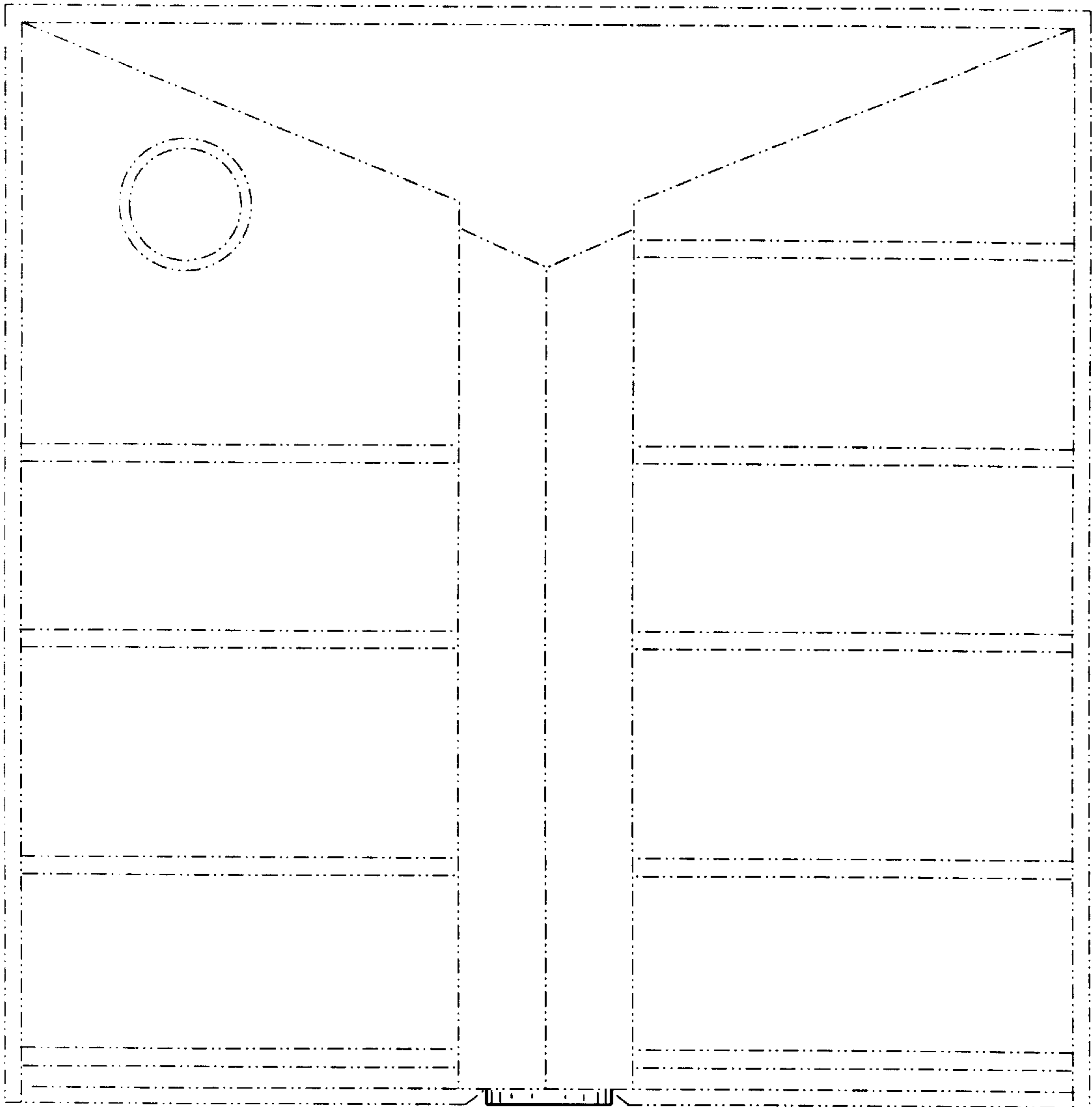


FIG. 3

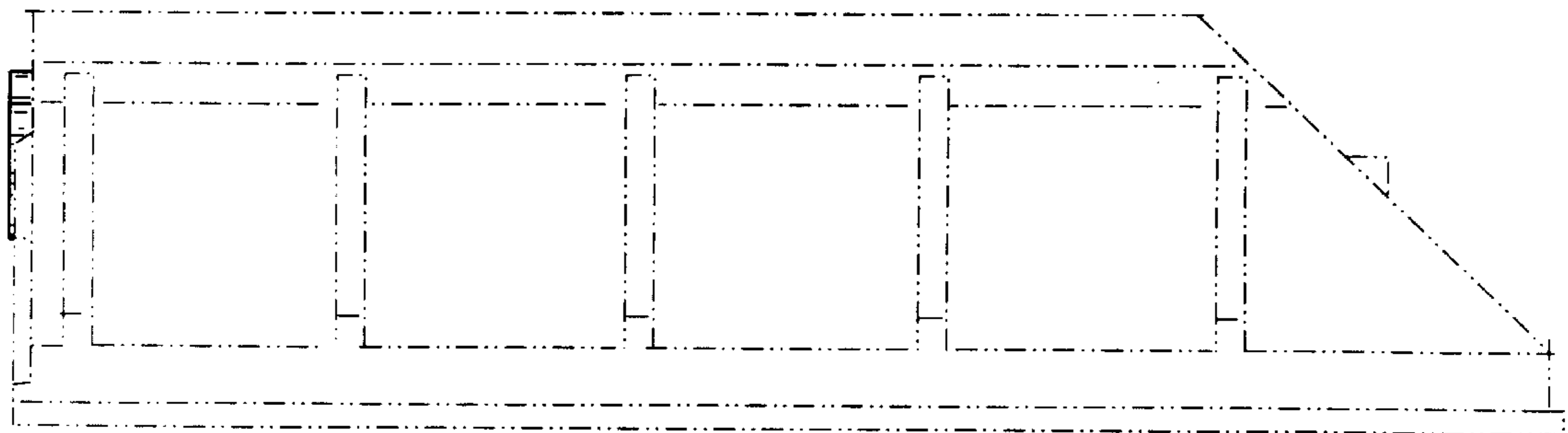


FIG. 5

