



US00D434158S

United States Patent [19]
Armstrong et al.

[11] **Patent Number: Des. 434,158**
[45] **Date of Patent: ** Nov. 21, 2000**

[54] **LADDER STEP EXTENDER**

5,465,809 11/1995 Panicci 248/238

[76] Inventors: **Donald R. Armstrong**, 956 87th Ave.
West, Duluth, Minn. 55808; **Phillip F. Bolf**, 5962 N. Tischer Rd., Duluth,
Minn. 55804

Primary Examiner—Doris Clark
Attorney, Agent, or Firm—Richard J. Grundstrom

[**] Term: **14 Years**

[57] **CLAIM**

The ornamental design for a ladder step extender, as shown.

[21] Appl. No.: **29/118,179**

DESCRIPTION

[22] Filed: **Feb. 7, 2000**

FIG. 1 is an isometric view of the ladder step extender of this design.

[51] **LOC (7) Cl.** **25-04**

FIG. 2 is a top view of the ladder step extender.

[52] **U.S. Cl.** **D25/69**

FIG. 3 is a left side view of the ladder step extender of this design.

[58] **Field of Search** 182/115, 116,
182/120, 121, 122; 248/238; D25/69

FIG. 4 is a right side view of the ladder step extender.

FIG. 5 is a back view of the ladder step extender.

[56] **References Cited**

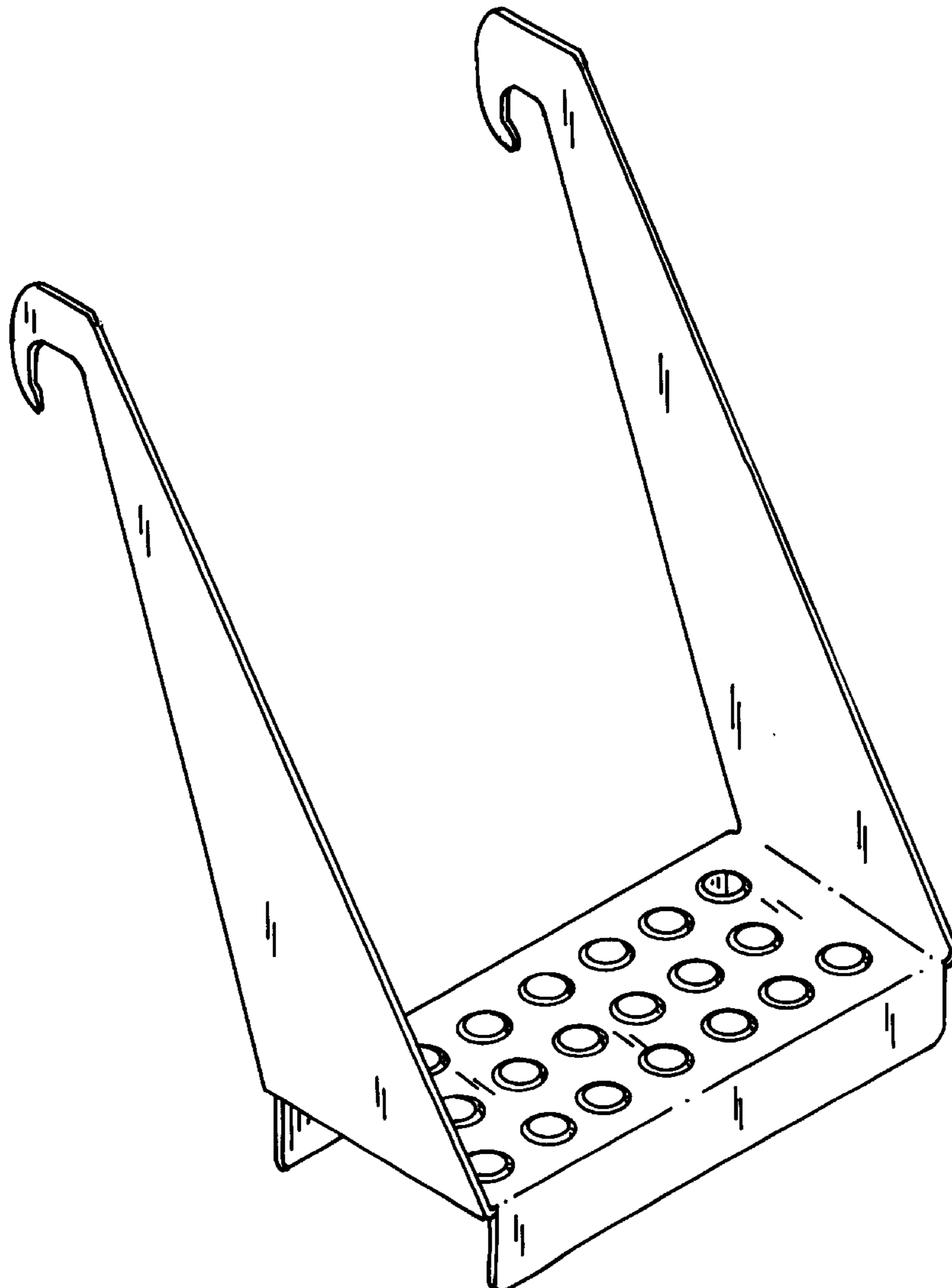
U.S. PATENT DOCUMENTS

D. 409,765 5/1999 Armstrong et al. D25/69
3,899,045 8/1975 Geisel et al. 182/121

FIG. 6 is a front view of the ladder step extender; and,

FIG. 7 is a bottom view of the ladder step extender of this invention.

1 Claim, 7 Drawing Sheets



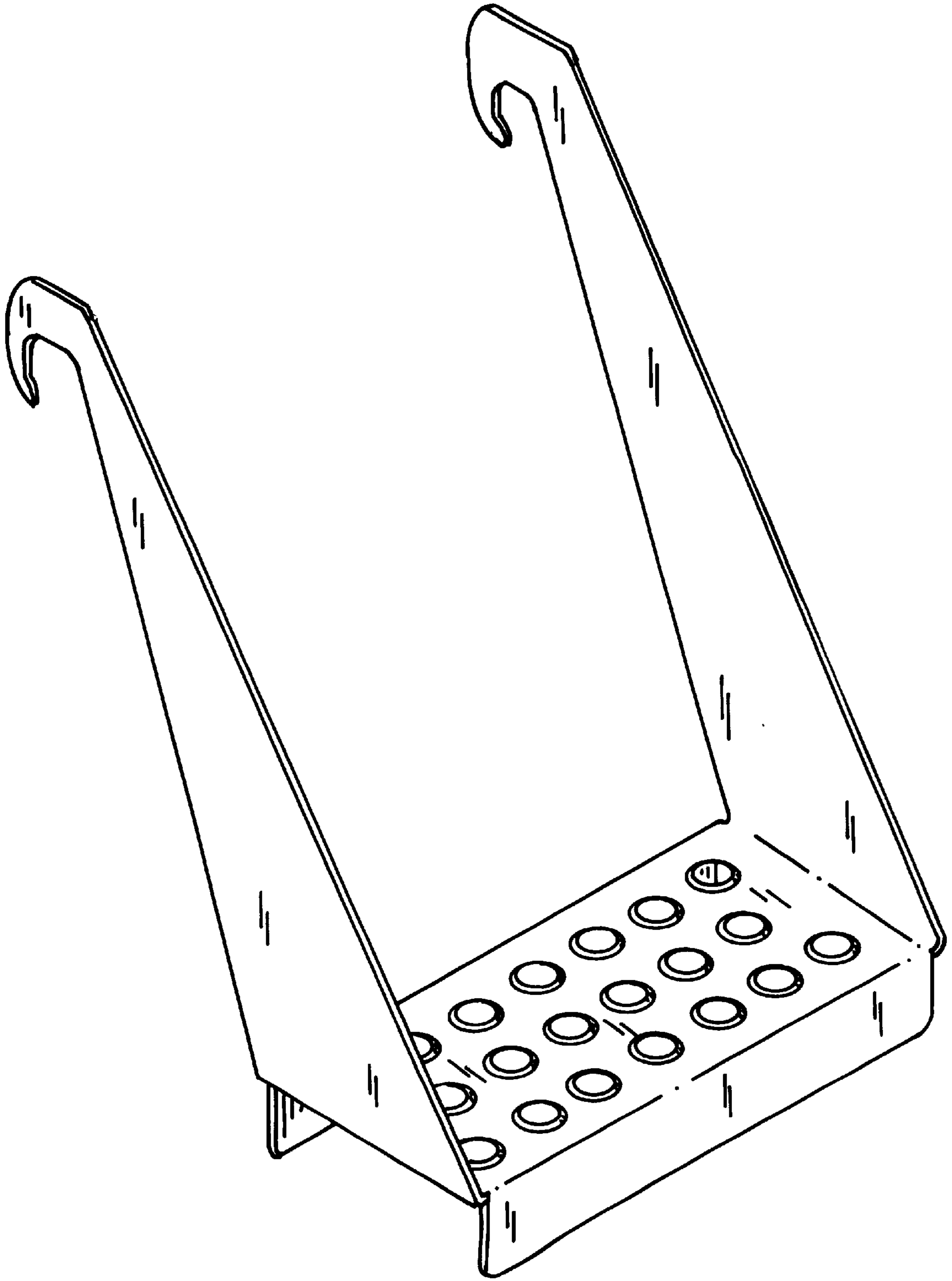
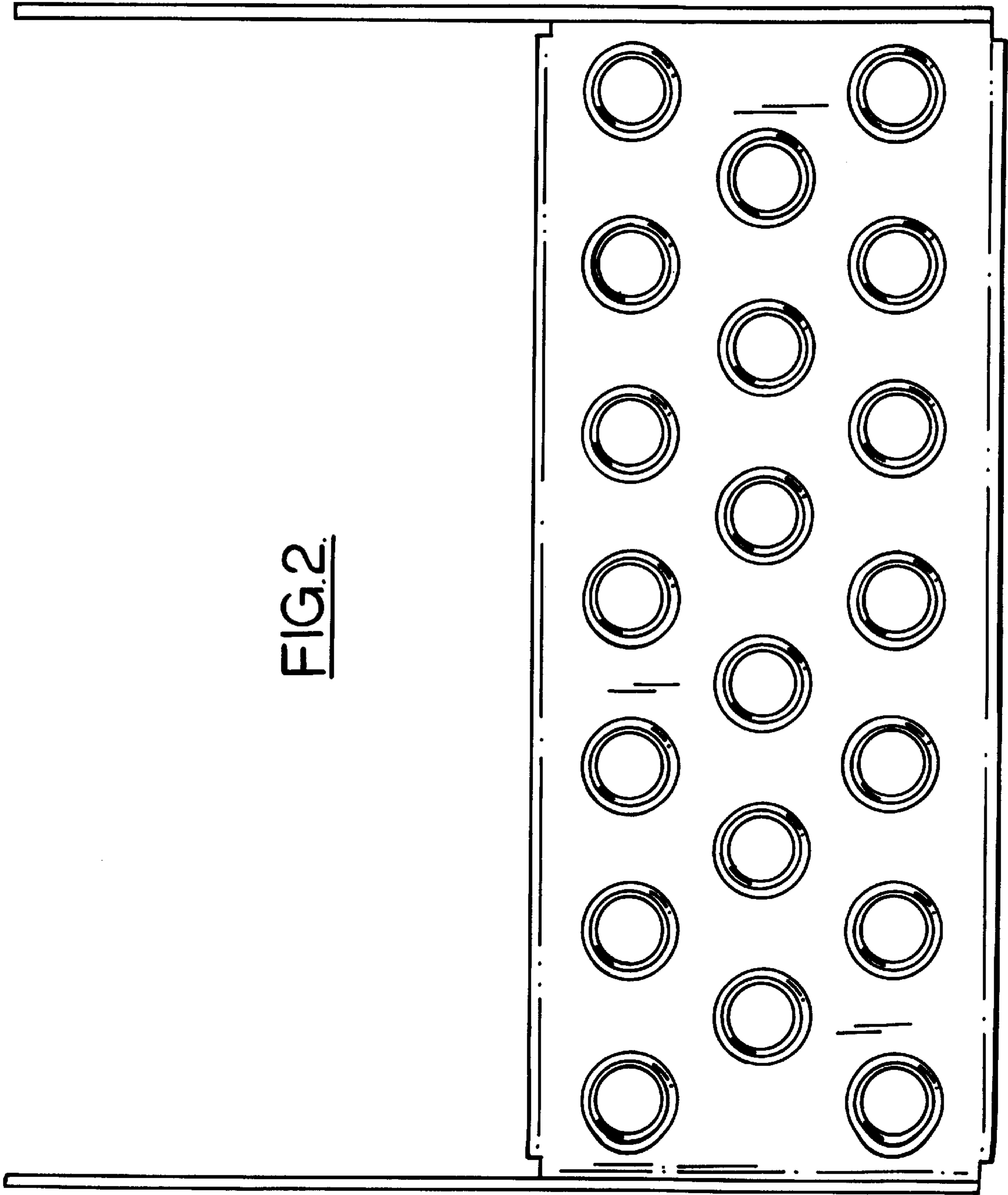


FIG.1.

FIG.2.



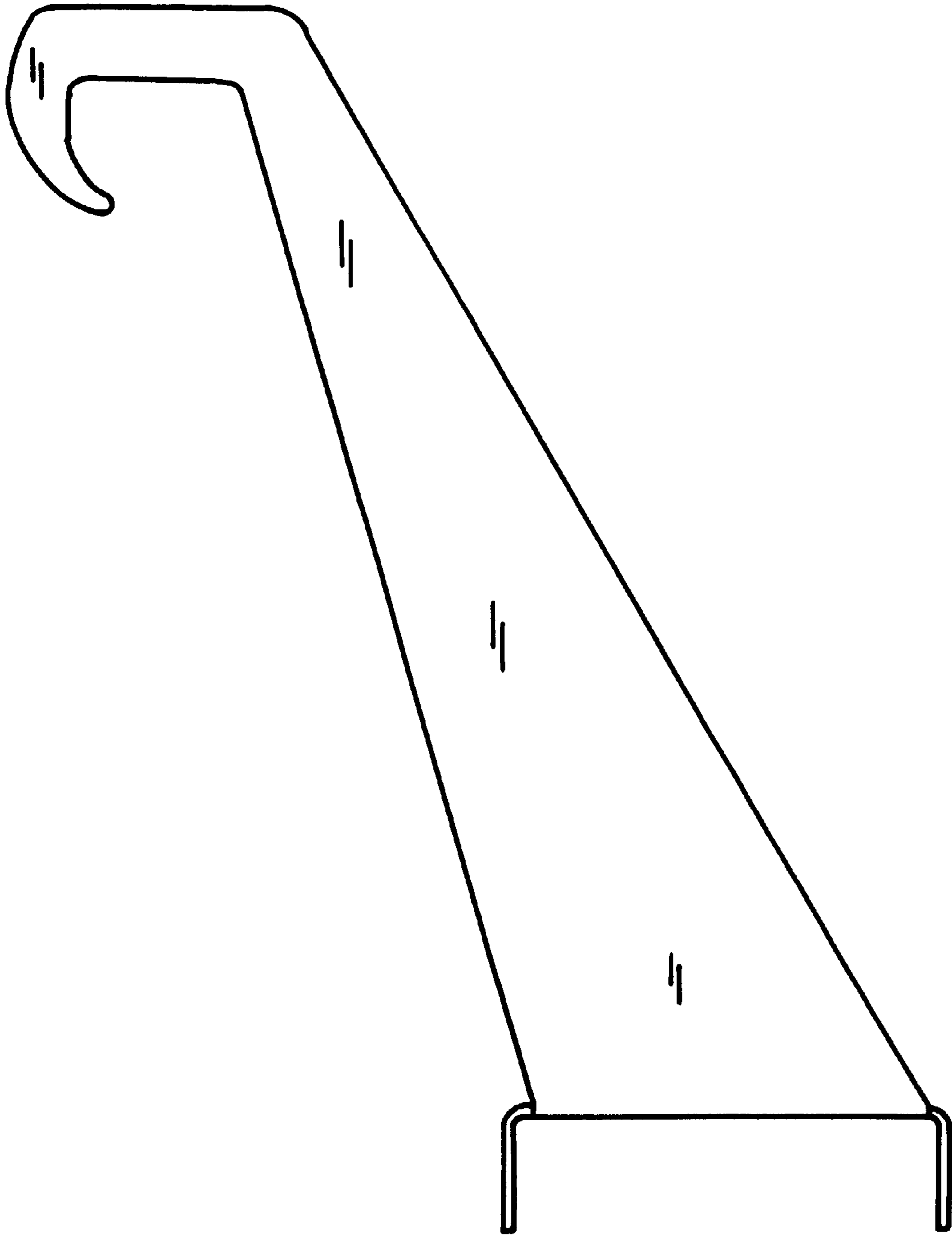


FIG. 3.

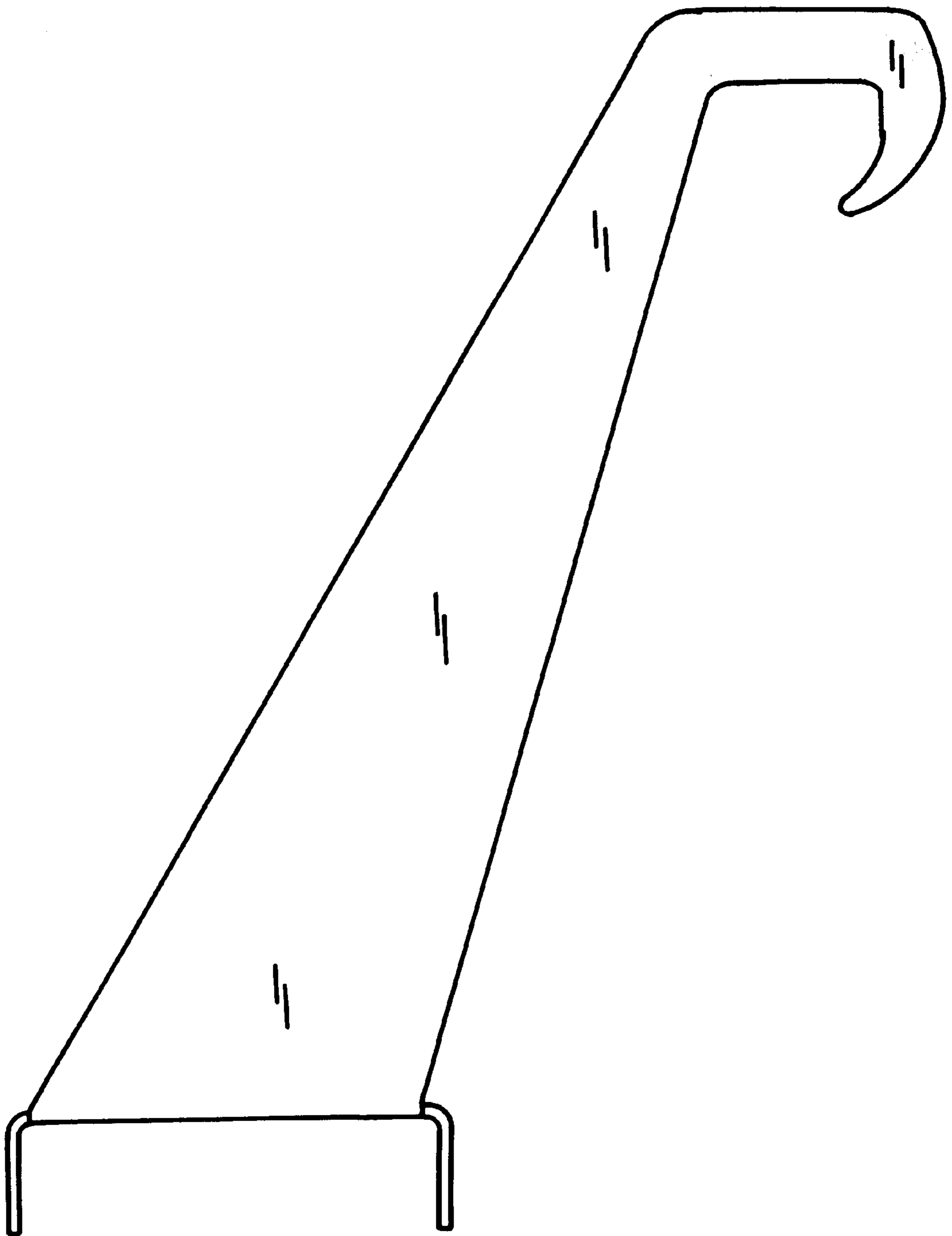


FIG. 4.

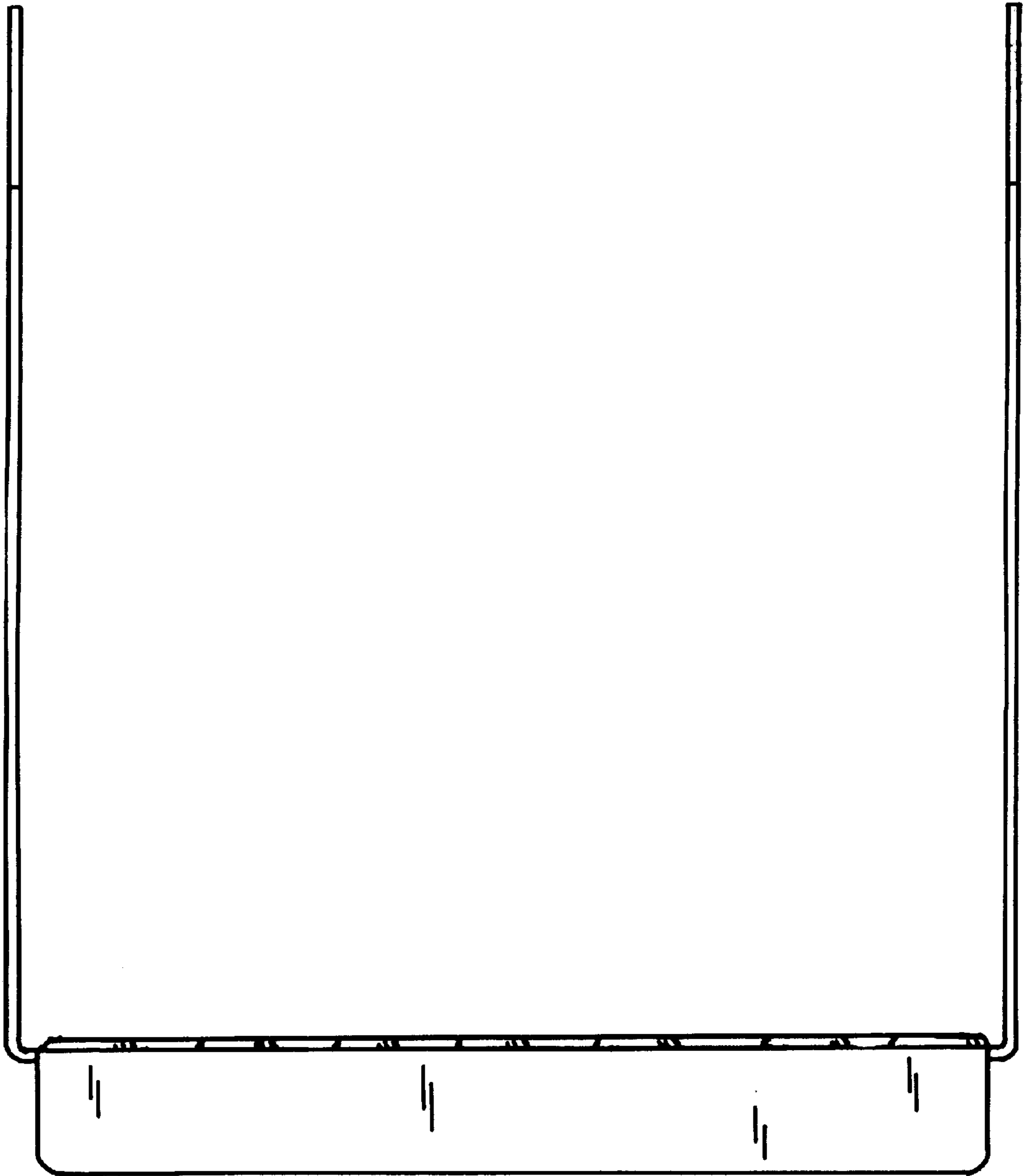


FIG. 5.

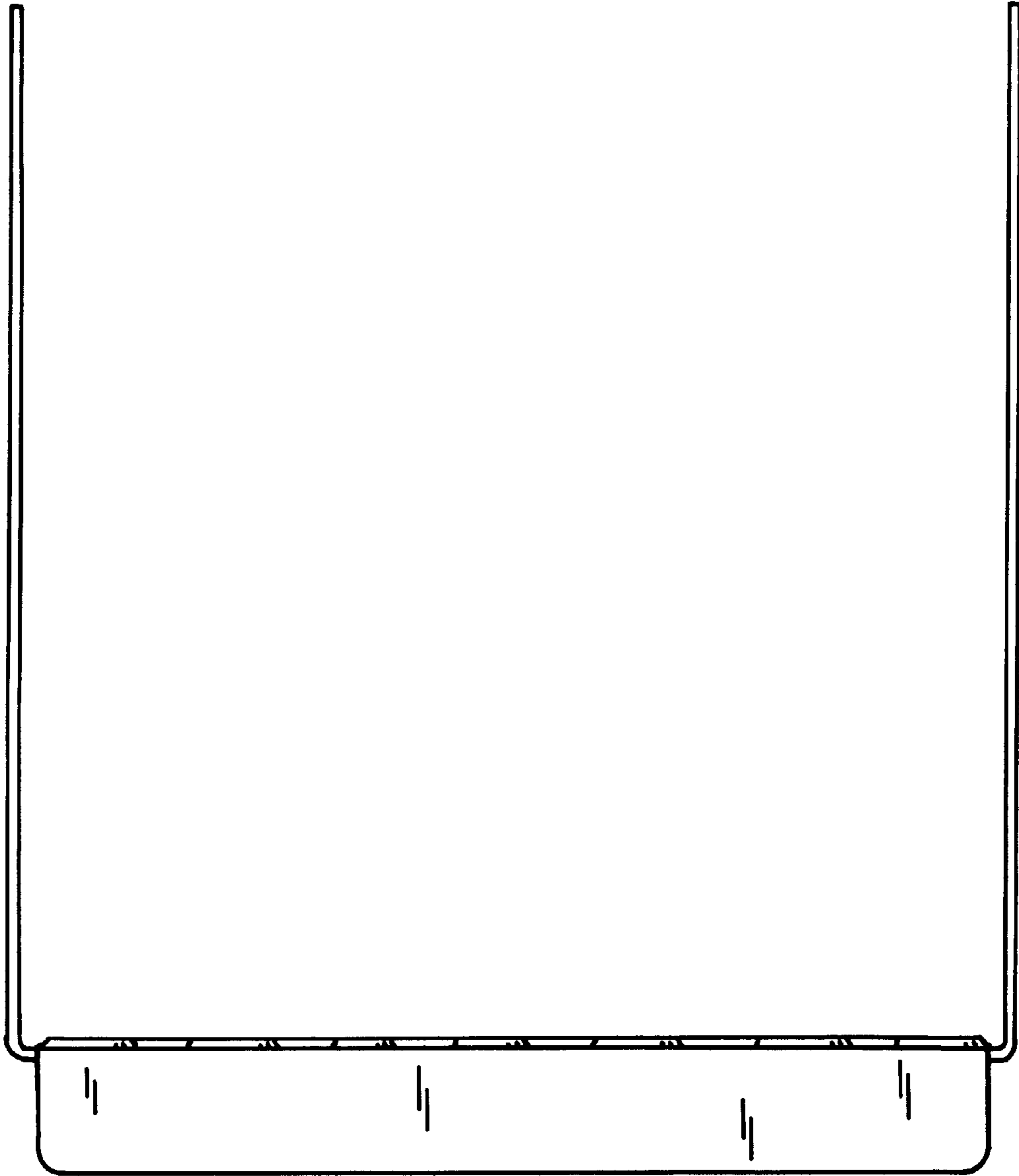


FIG. 6.

FIG. 7.

