



US00D434157S

United States Patent [19] Rupp

[11] Patent Number: **Des. 434,157**

[45] Date of Patent: **** Nov. 21, 2000**

[54] **CONFECTION STAND**

[76] Inventor: **Carl A. Rupp**, 4576 S. 2200 West, Salt Lake City, Utah 84119

[**] Term: **14 Years**

[21] Appl. No.: **29/121,736**

[22] Filed: **Apr. 11, 2000**

[51] **LOC (7) Cl.** **25-03**

[52] **U.S. Cl.** **D25/31; D25/33; D25/1**

[58] **Field of Search** **D25/1, 31, 33; 52/36.1, 36.2**

D. 303,842 10/1989 Bayouth, Jr. D25/33
D. 351,238 10/1994 Liotine D25/10
D. 408,334 4/1999 Fortunato D12/102

Primary Examiner—Doris Clark
Attorney, Agent, or Firm—Lloyd W. Sadler

[57] CLAIM

The ornamental design for the confection stand, as shown and described.

DESCRIPTION

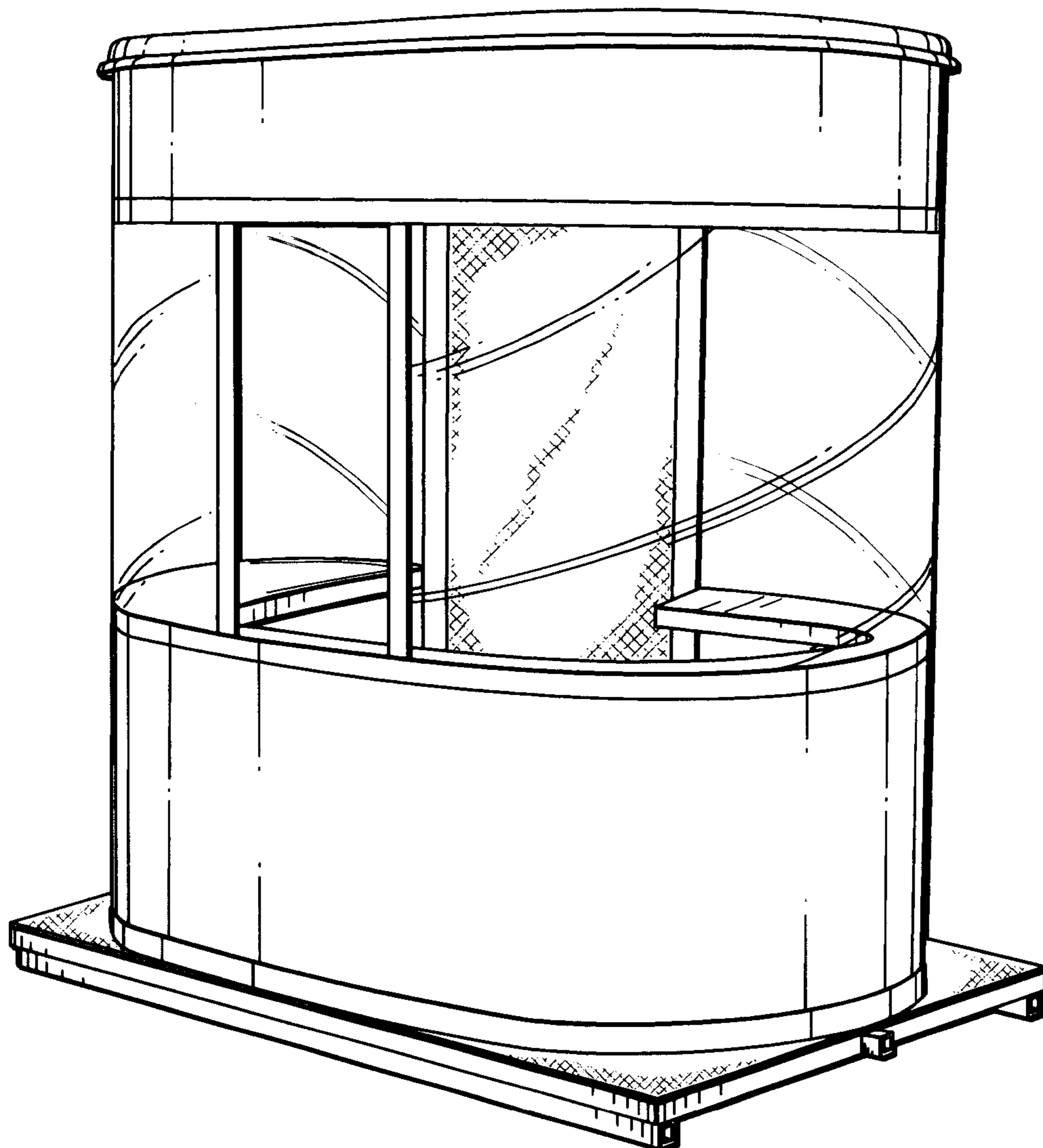
FIG. 1 is a perspective view of the confection stand.
FIG. 2 is a front elevation view thereof.
FIG. 3 is a rear elevation view thereof.
FIG. 4 is a right side elevation view thereof.
FIG. 5 is a left side elevation view thereof.
FIG. 6 is a top view thereof; and,
FIG. 7 is a bottom view thereof.

[56] References Cited

U.S. PATENT DOCUMENTS

D. 255,303 6/1980 Newsom et al. D6/471
D. 265,685 8/1982 Decaux D25/31
D. 298,810 12/1988 Vilval D12/102

1 Claim, 3 Drawing Sheets



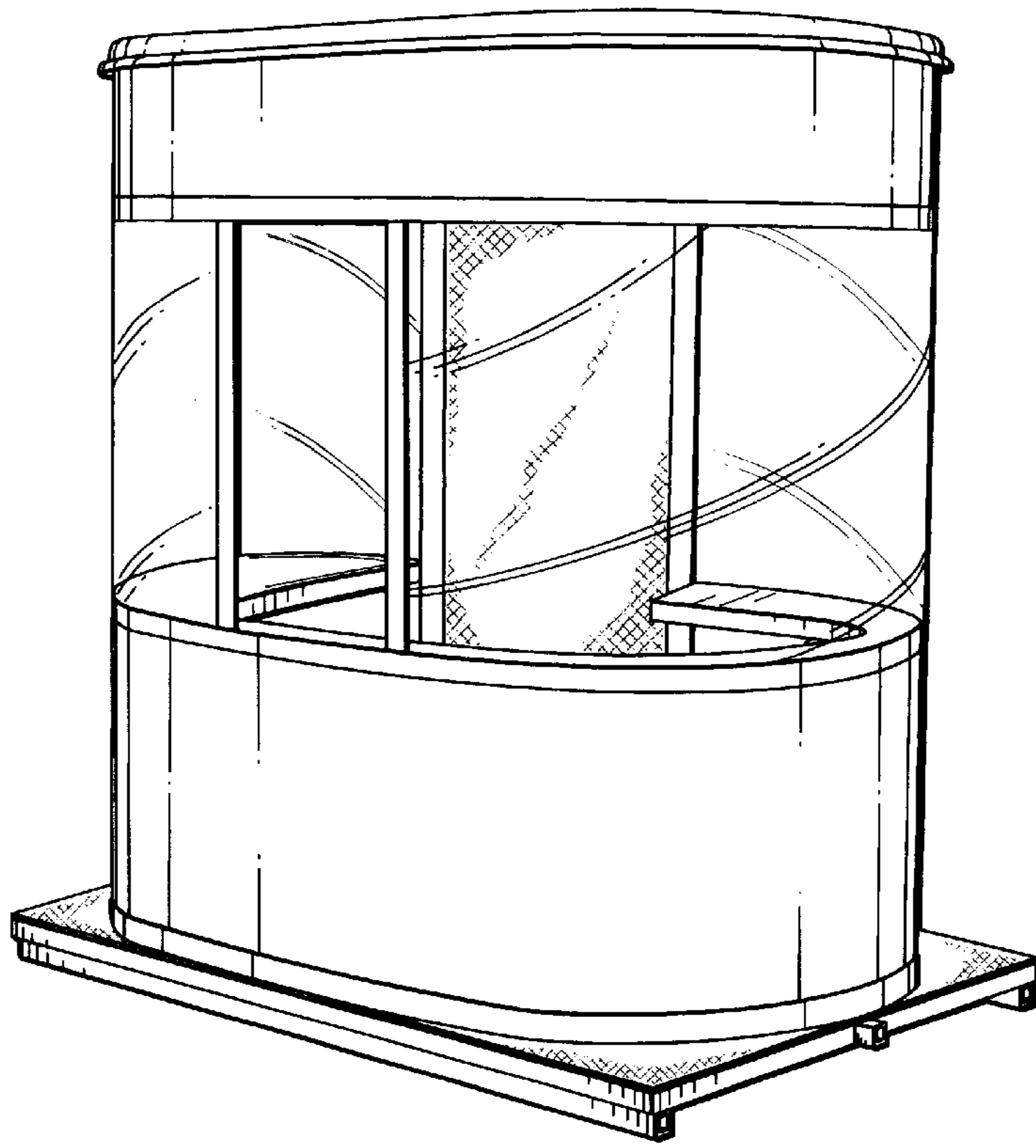


FIG. 1

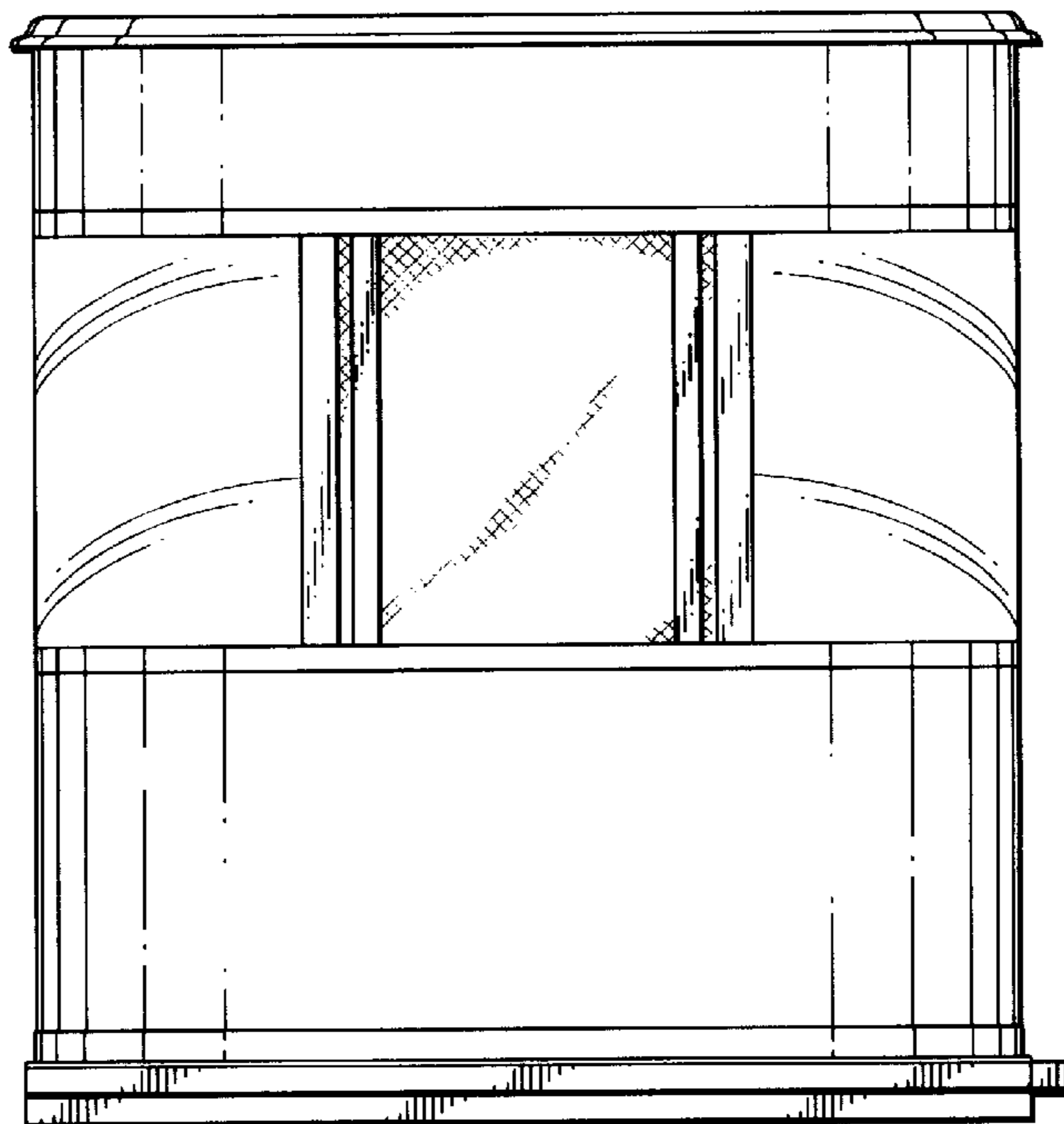


FIG. 2

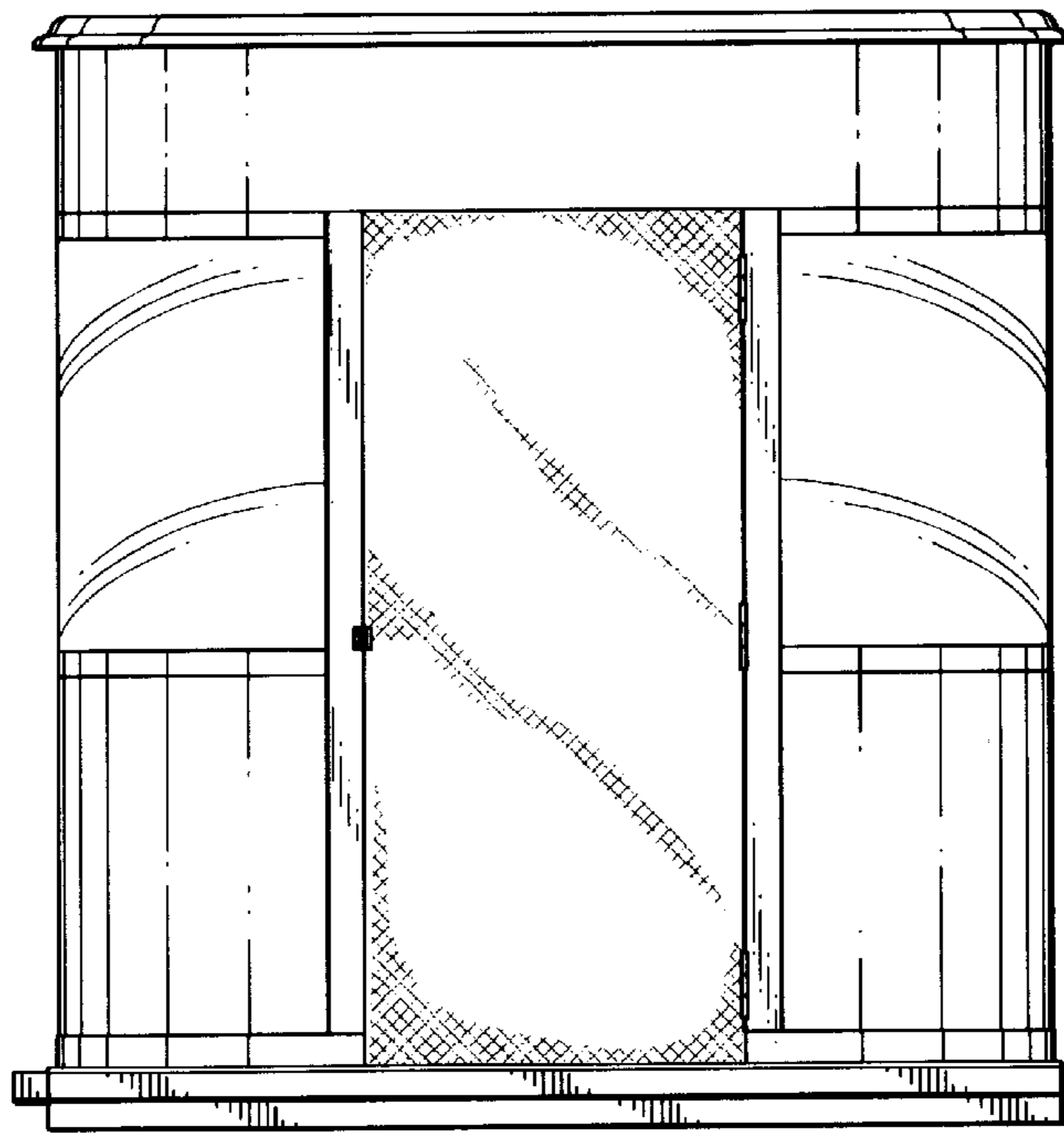


FIG. 3

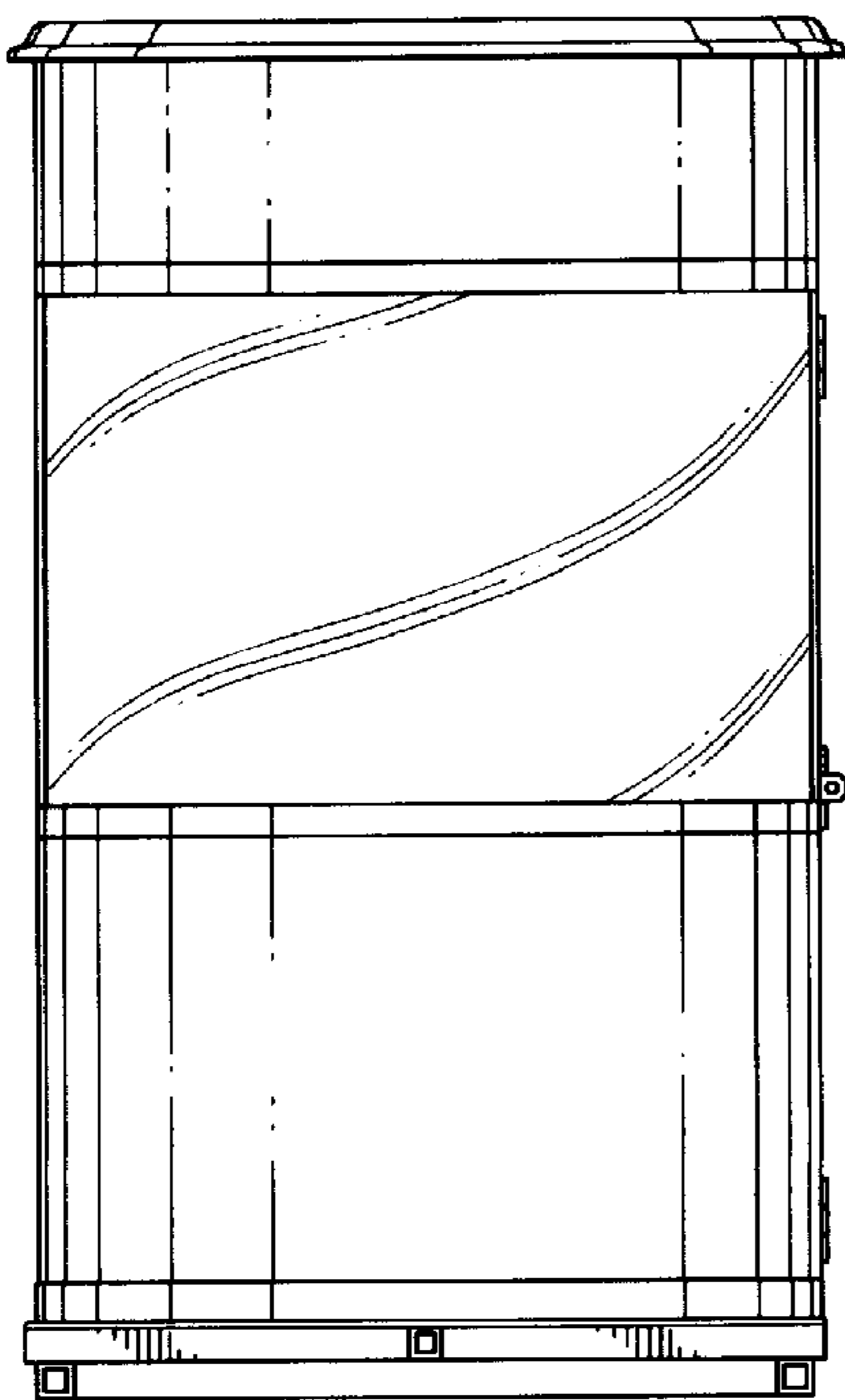


FIG. 4

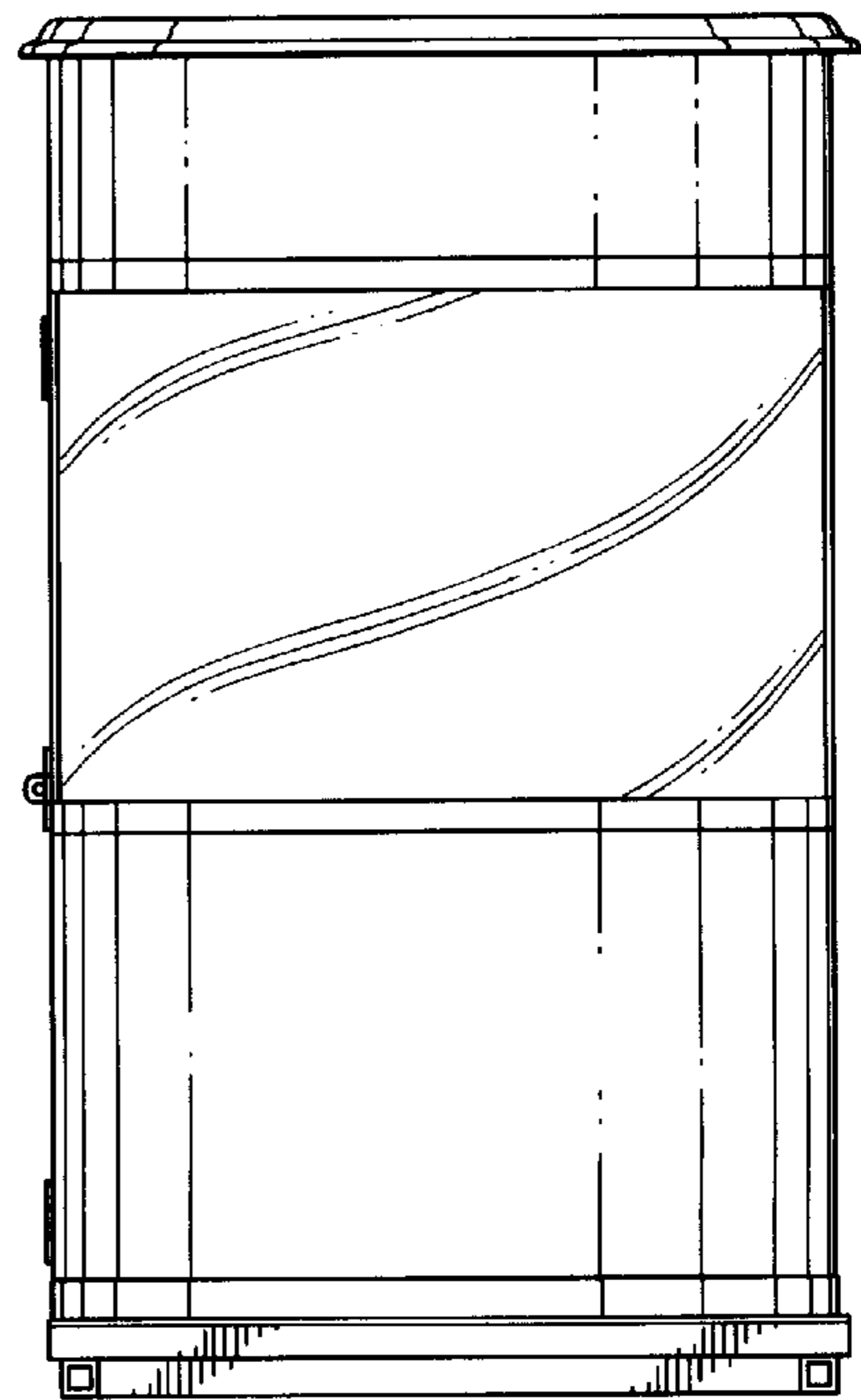


FIG. 5

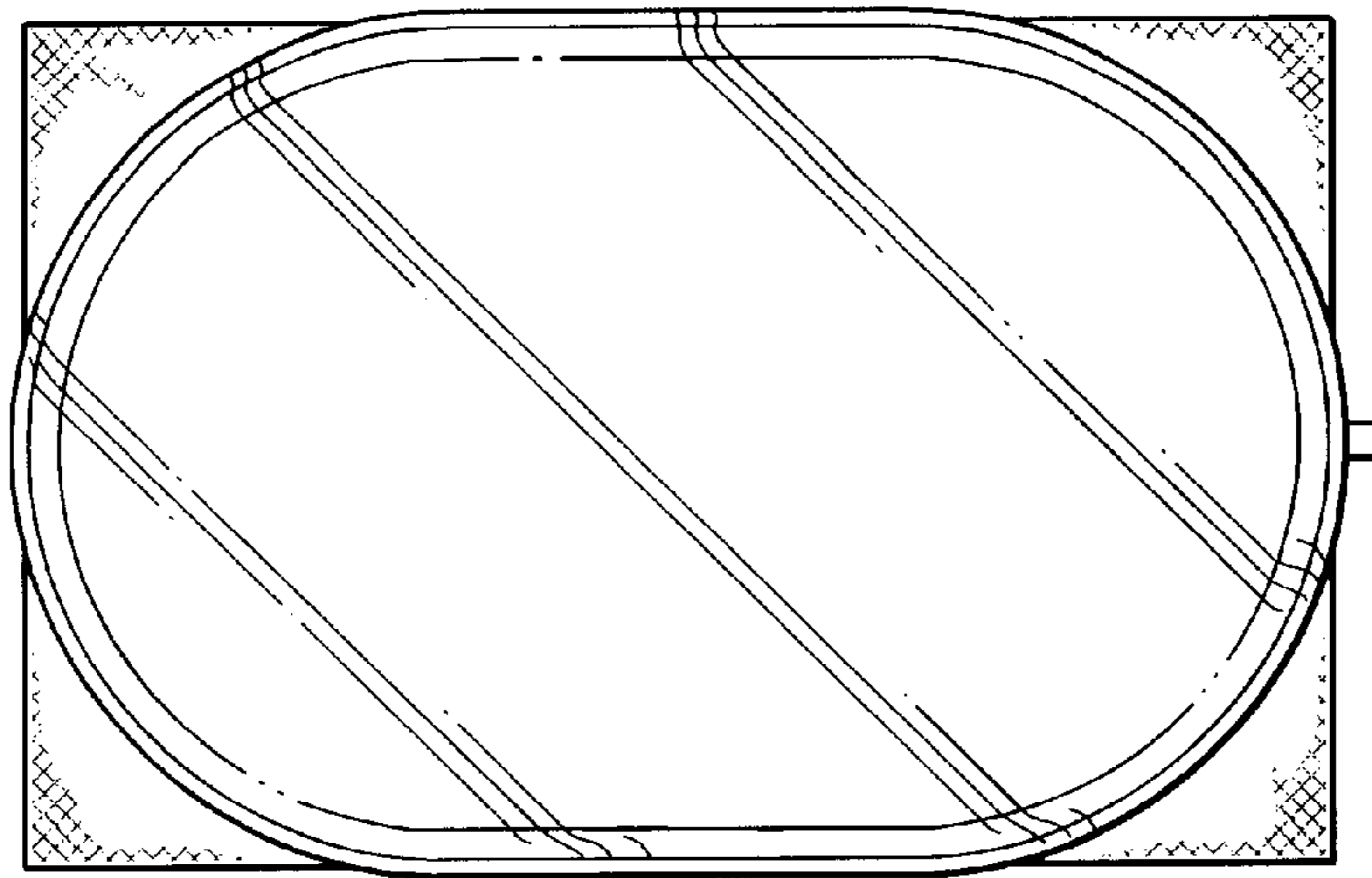


FIG. 6

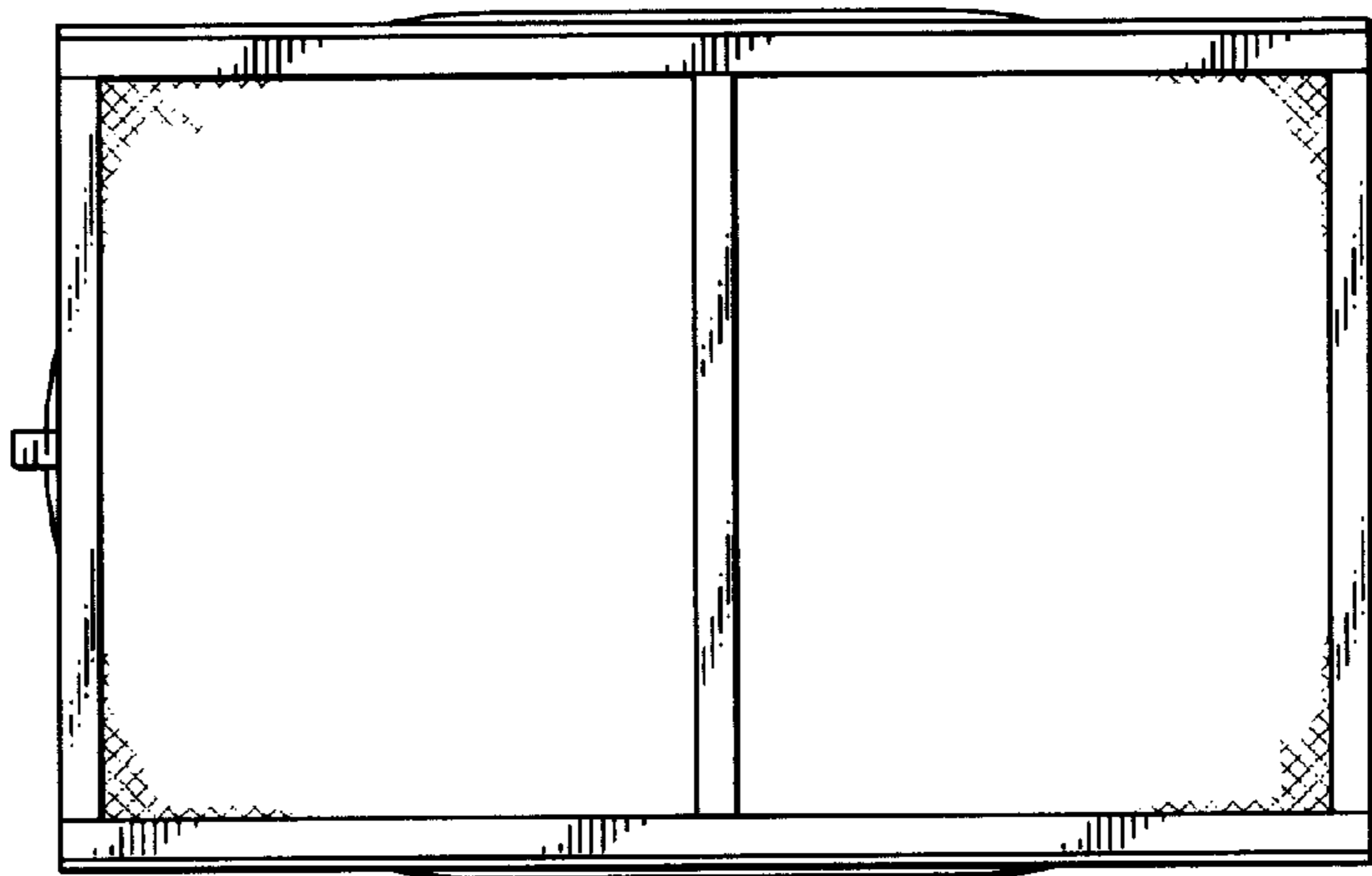


FIG. 7