



US00D434152S

United States Patent [19]

Staunton et al.

[11] Patent Number: Des. 434,152

[45] Date of Patent: ** Nov. 21, 2000

[54] HOUSING FOR ELECTRONICS USED IN A PATIENT THERAPY SYSTEM

[75] Inventors: Douglas A. Staunton, Kalamazoo; Christopher Eager, Galesburg, both of Mich.

[73] Assignee: Stryker Instruments, Kalamazoo, Mich.

[**] Term: 14 Years

[21] Appl. No.: 29/101,623

[22] Filed: Mar. 8, 1999

[51] LOC (7) Cl. 24-04

[52] U.S. Cl. D24/200

[58] Field of Search D24/200, 186; 607/48, 50, 46, 62, 64, 65, 68, 70, 72, 73, 74

[56] References Cited

U.S. PATENT DOCUMENTS

- D. 280,341 8/1985 Carlisle D24/200
- D. 382,345 8/1997 Minogue D24/200

- D. 400,262 10/1998 Hirakawa et al. D24/215
- 5,782,893 7/1998 Dennis, III 607/48
- 5,800,458 9/1998 Wingrove 607/2
- 5,836,995 11/1998 MGraw et al. 607/48
- 5,957,958 9/1999 Schulman et al. 607/56

Primary Examiner—Stella Reid
Attorney, Agent, or Firm—Howard & Howard

[57] CLAIM

The ornamental design for a housing for electronics used in a patient therapy system, as shown and described.

DESCRIPTION

FIG. 1 is a perspective view of a housing for electronics used in a patient therapy system, showing our new design, with the broken line showing being for illustrative purposes only and forming no part of the claimed design;

FIG. 2 is a top plan view thereof;

FIG. 3 is a bottom plan view thereof;

FIG. 4 is a left side elevation view thereof;

FIG. 5 is a right side elevation view thereof;

FIG. 6 is an end elevation view thereof; and,

FIG. 7 is an end elevation view thereof, opposite that shown in FIG. 6.

1 Claim, 2 Drawing Sheets

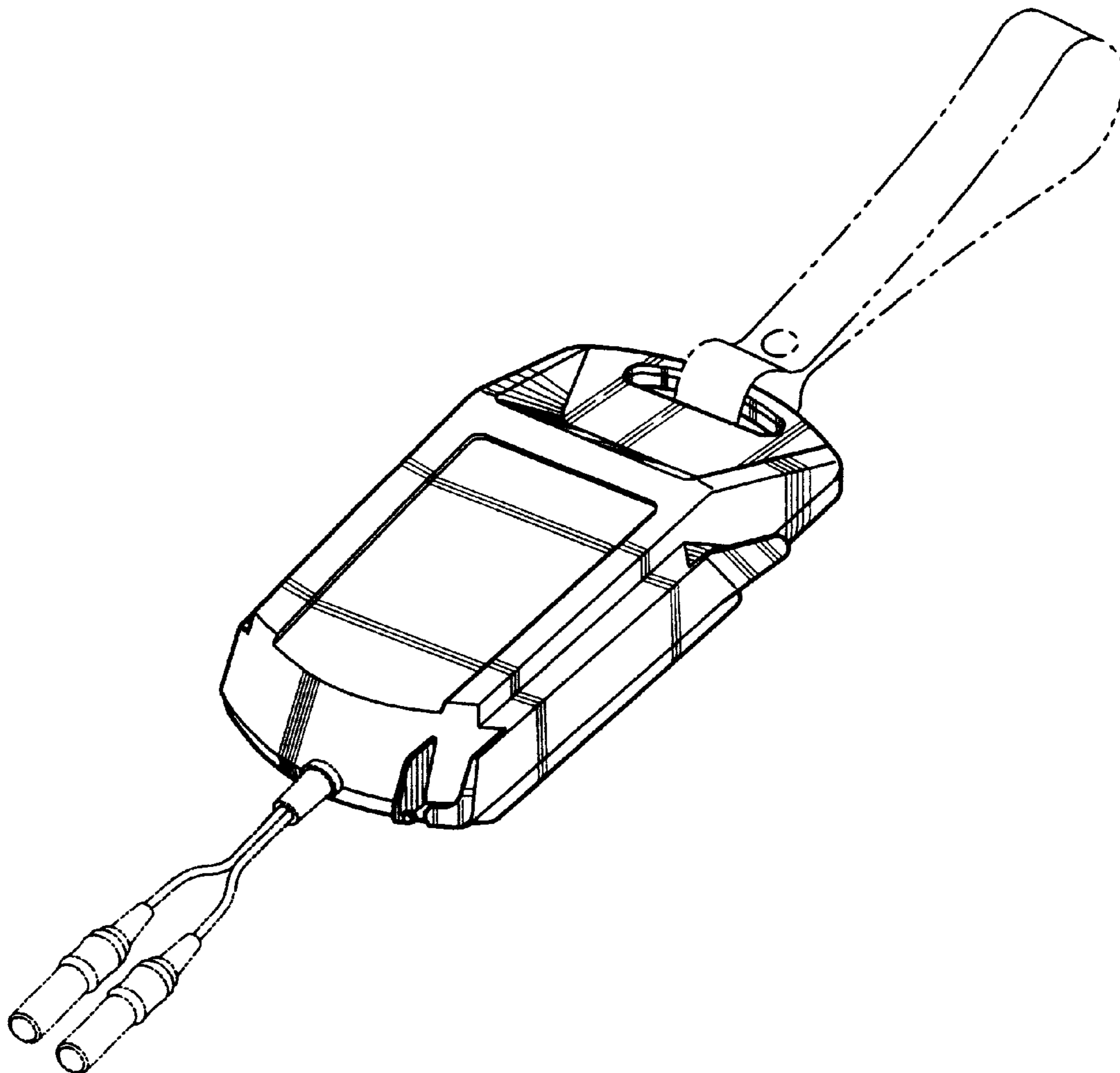


Fig-1

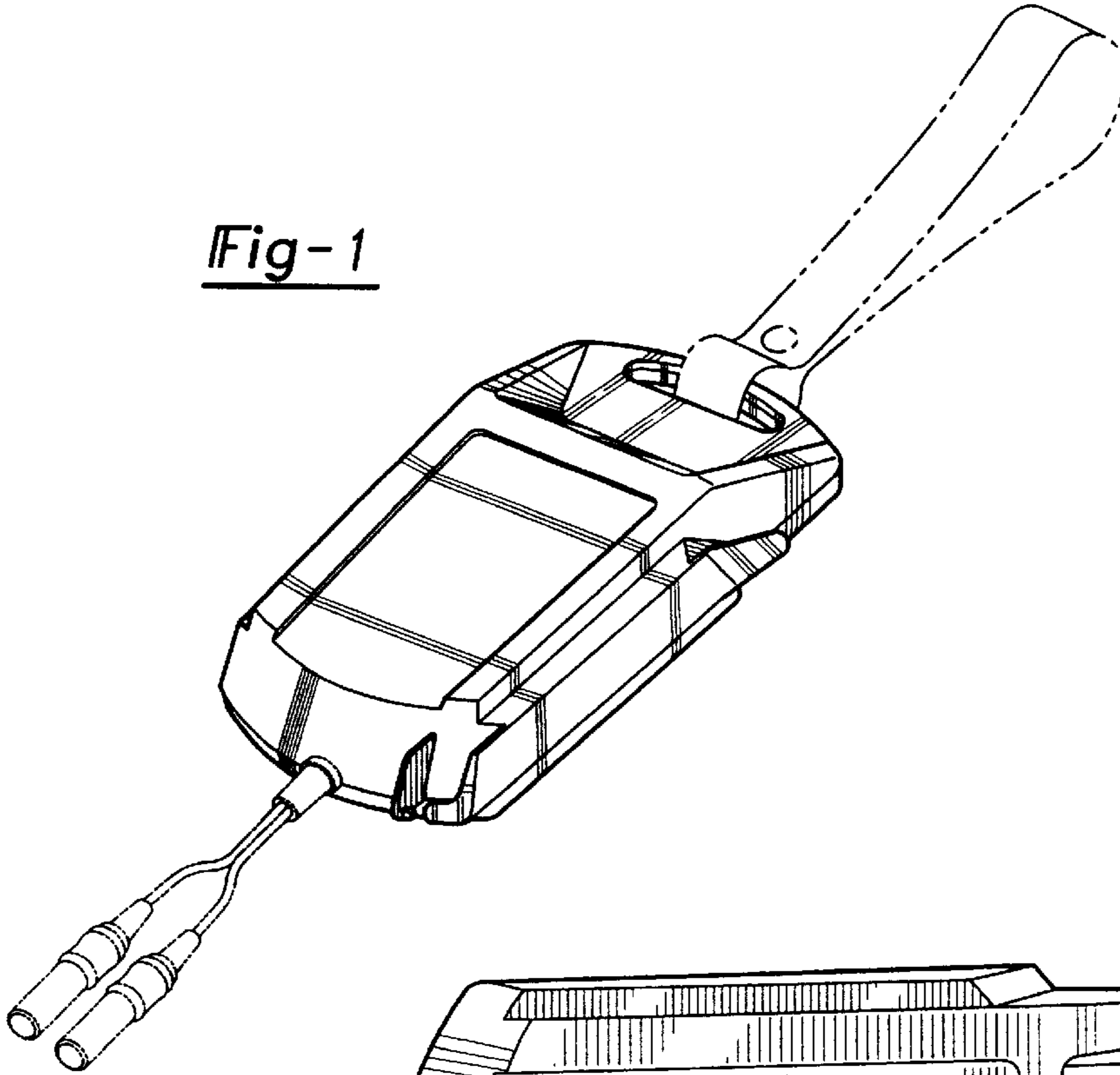


Fig-2

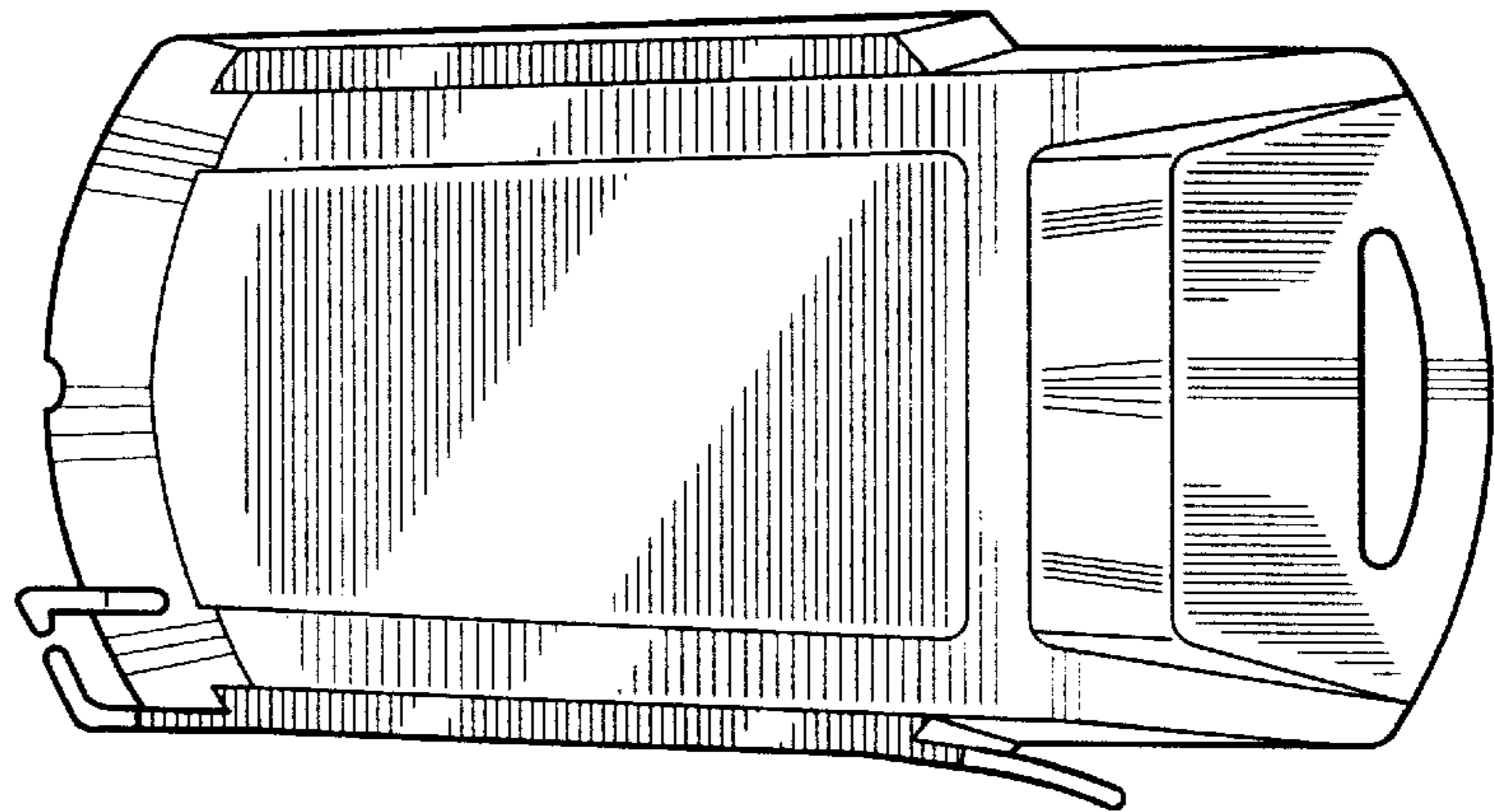
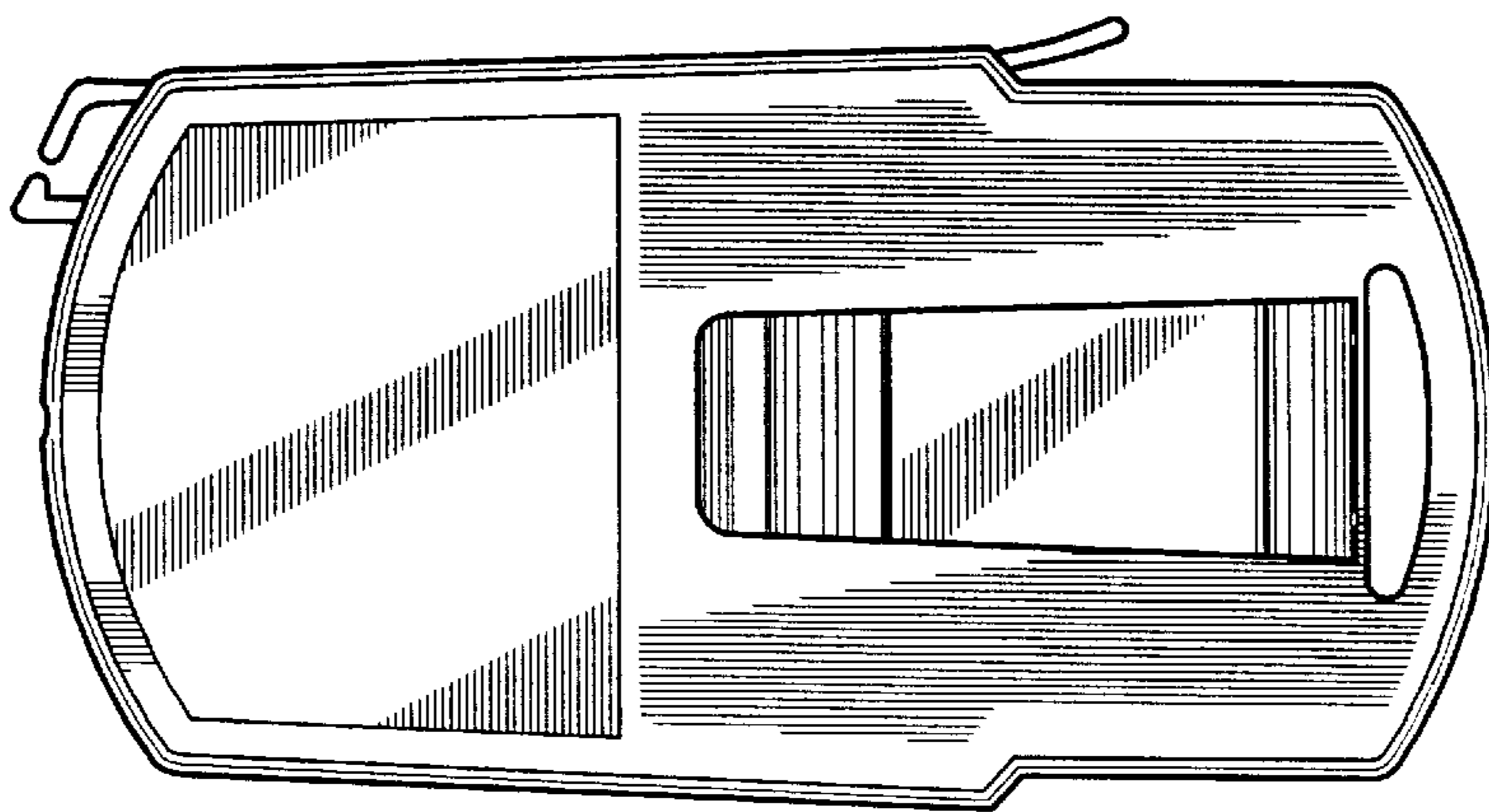


Fig-3



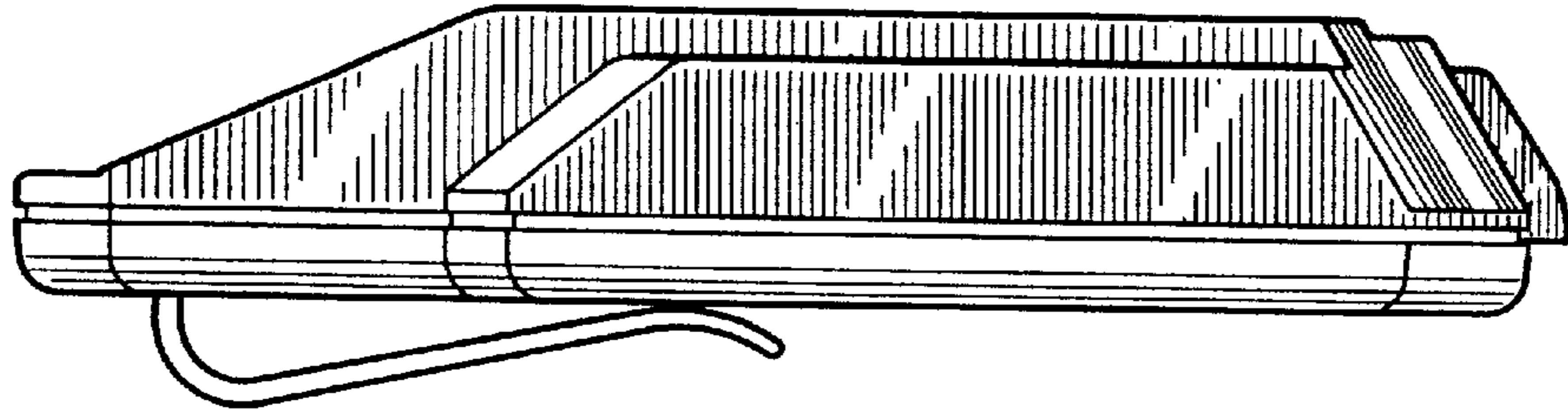


Fig-4

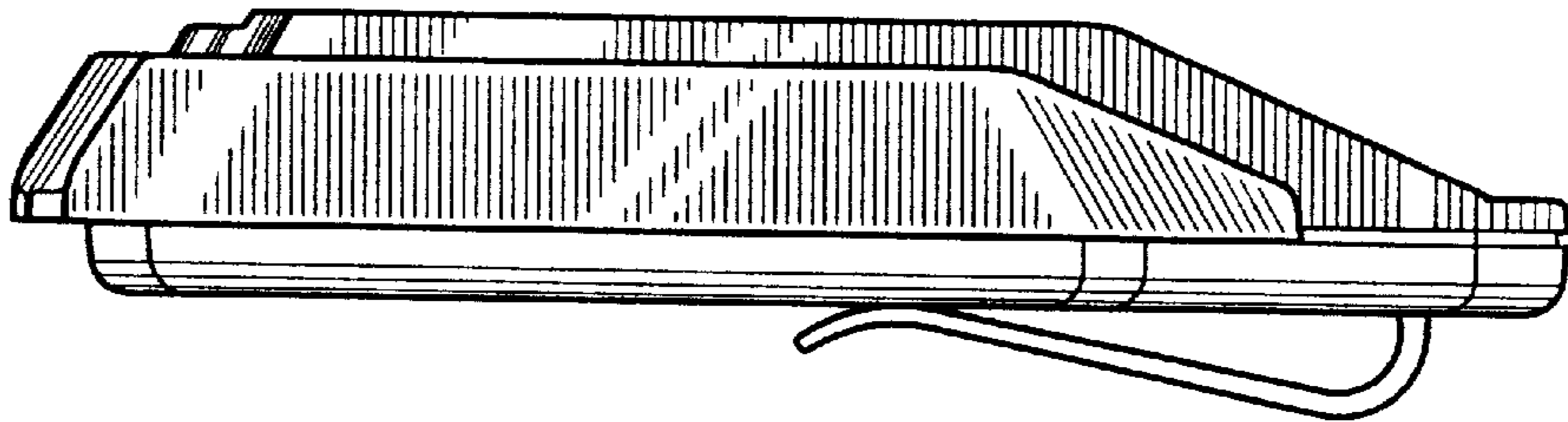


Fig-5

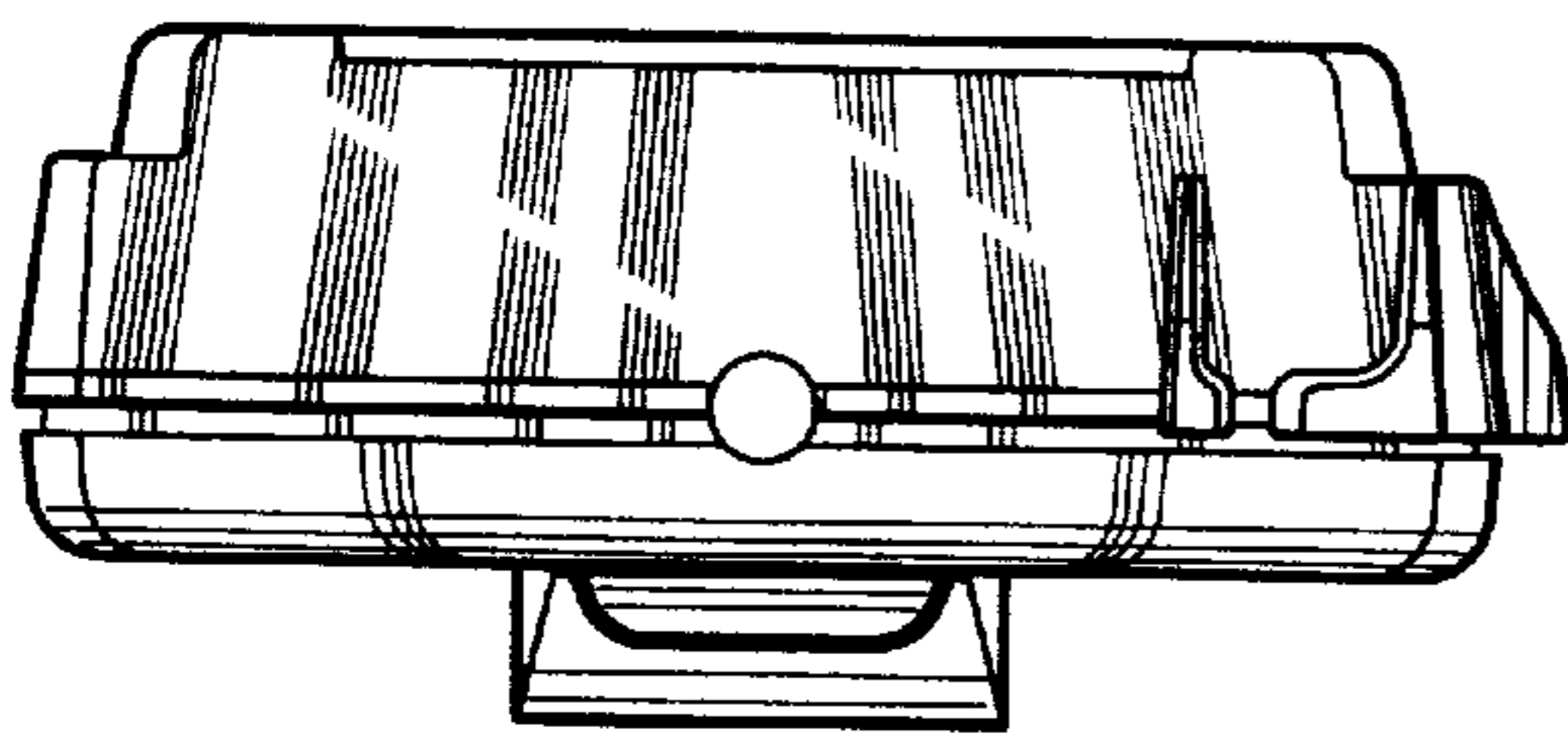


Fig-6

Fig-7

