



US00D434150S

# United States Patent [19]

Tumey et al.

[11] **Patent Number: Des. 434,150**

[45] **Date of Patent: \*\* Nov. 21, 2000**

[54] **PORTABLE MEDICAL PUMPING UNIT**

[75] Inventors: **David M. Tumey; L. Tab Randolph,**  
both of San Antonio, Tex.

[73] Assignee: **KCI Licensing, Inc.,** San Antonio, Tex.

[\*\*] Term: **14 Years**

[21] Appl. No.: **29/104,763**

[22] Filed: **May 11, 1999**

[51] **LOC (7) Cl. .... 24-04**

[52] **U.S. Cl. .... D24/169; D24/111**

[58] **Field of Search .... D24/111, 169;**  
D15/7, 9, 8; 606/201, 202; 601/149, 150,  
151, 152, 153

[56] **References Cited**

**U.S. PATENT DOCUMENTS**

- D. 294,359 2/1988 Tsai ..... D15/8
- D. 339,356 9/1993 Tsai ..... D15/8
- D. 374,075 9/1996 Lee ..... D24/111

- D. 374,931 10/1996 Cesaroni et al. .... D24/169
- 5,843,007 12/1998 McEwen et al. .... 601/152
- 5,938,628 8/1999 Oguri et al. .... 601/150

*Primary Examiner*—Ian Simmons  
*Attorney, Agent, or Firm*—Wayne J. Colton, Inc.

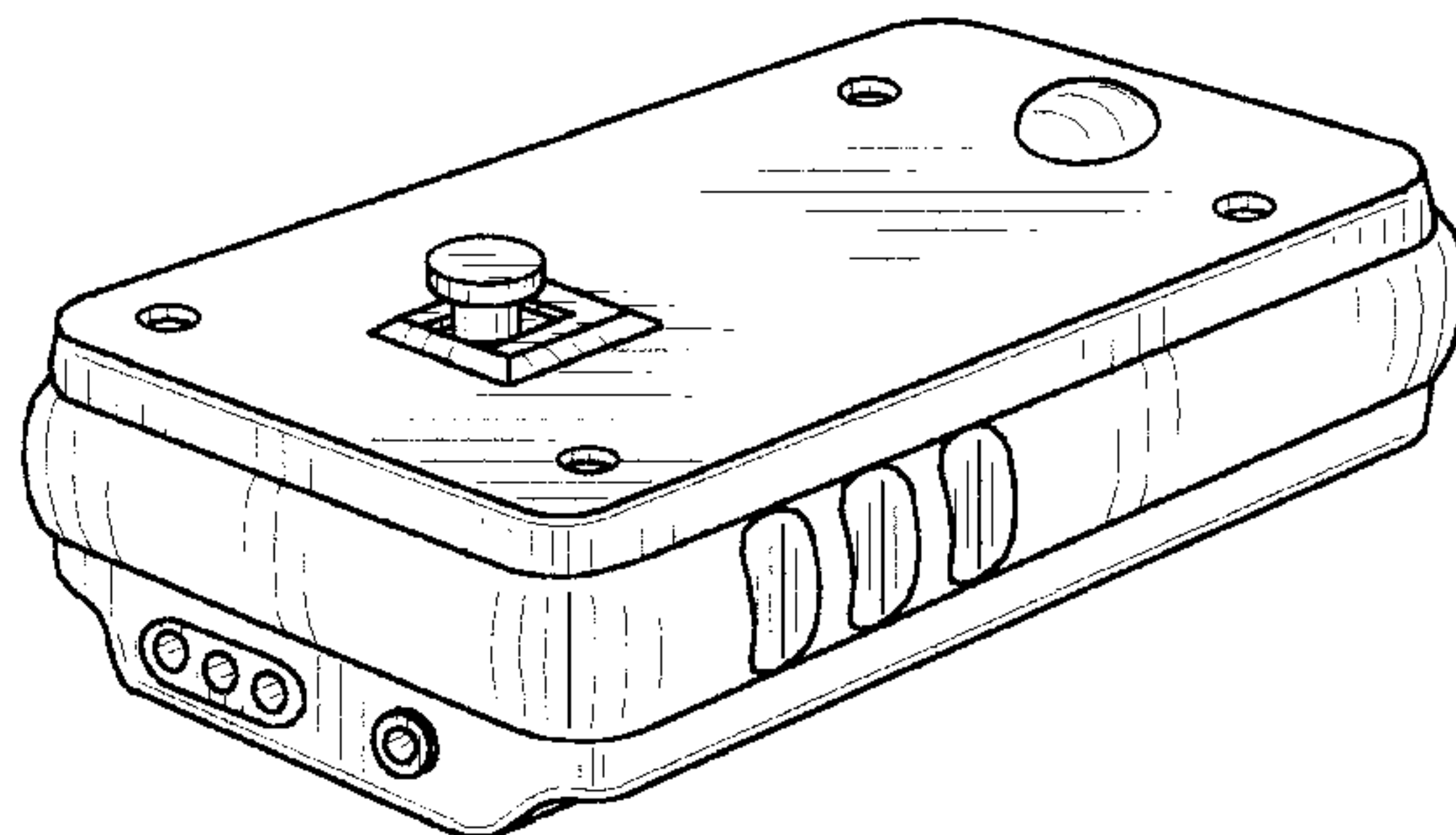
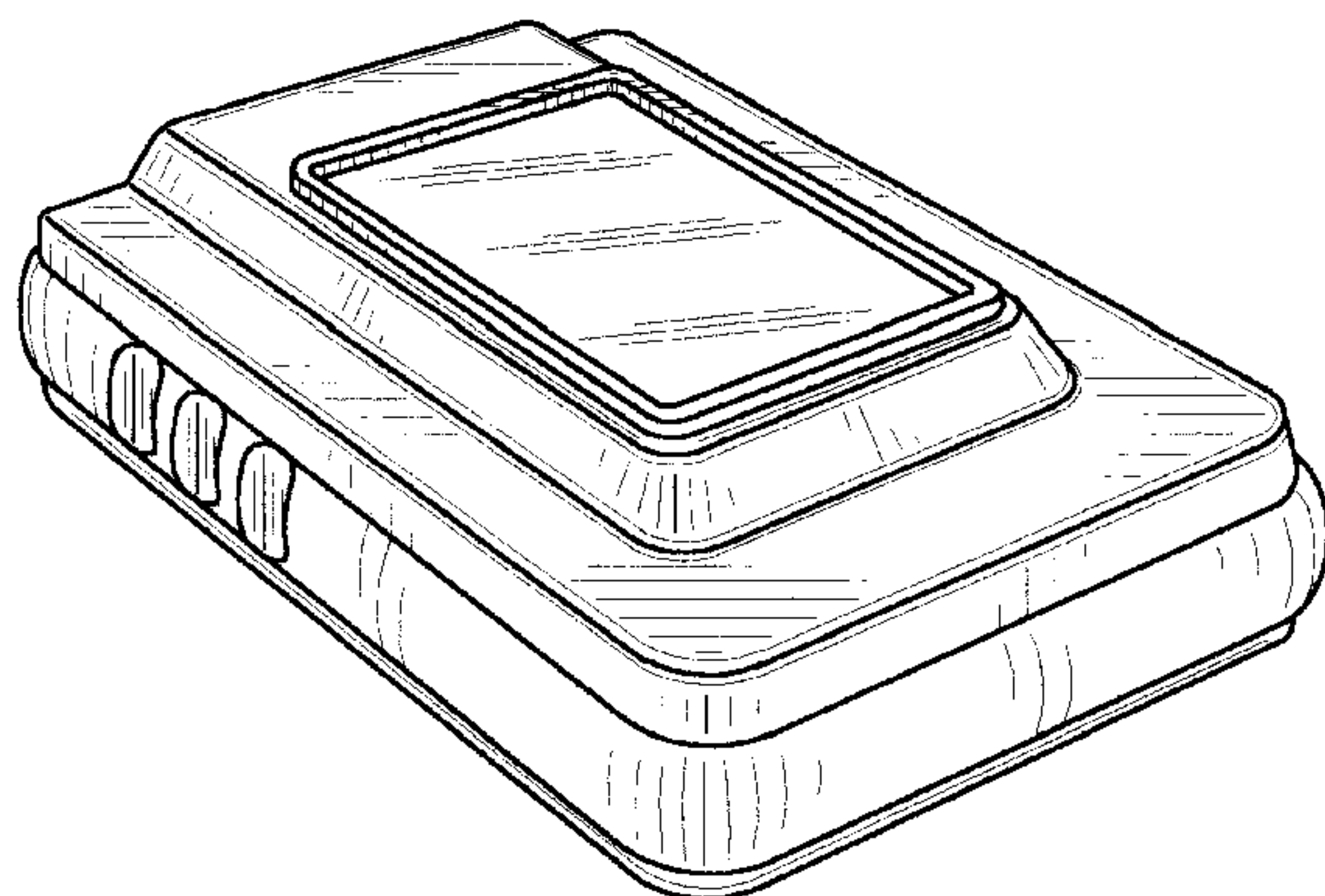
[57] **CLAIM**

The ornamental design for a portable medical pumping unit, as shown and described.

**DESCRIPTION**

FIG. 1 is a top perspective view of a portable medical pumping unit, showing our new design; FIG. 2 is a bottom perspective view thereof; FIG. 3 is a top plan view thereof; FIG. 4 is a bottom plan view thereof; FIG. 5 is a front end elevational view thereof; FIG. 6 is a rear end elevational view thereof; FIG. 7 is a left side elevational view thereof; and, FIG. 8 is a right side elevational view thereof.

**1 Claim, 2 Drawing Sheets**



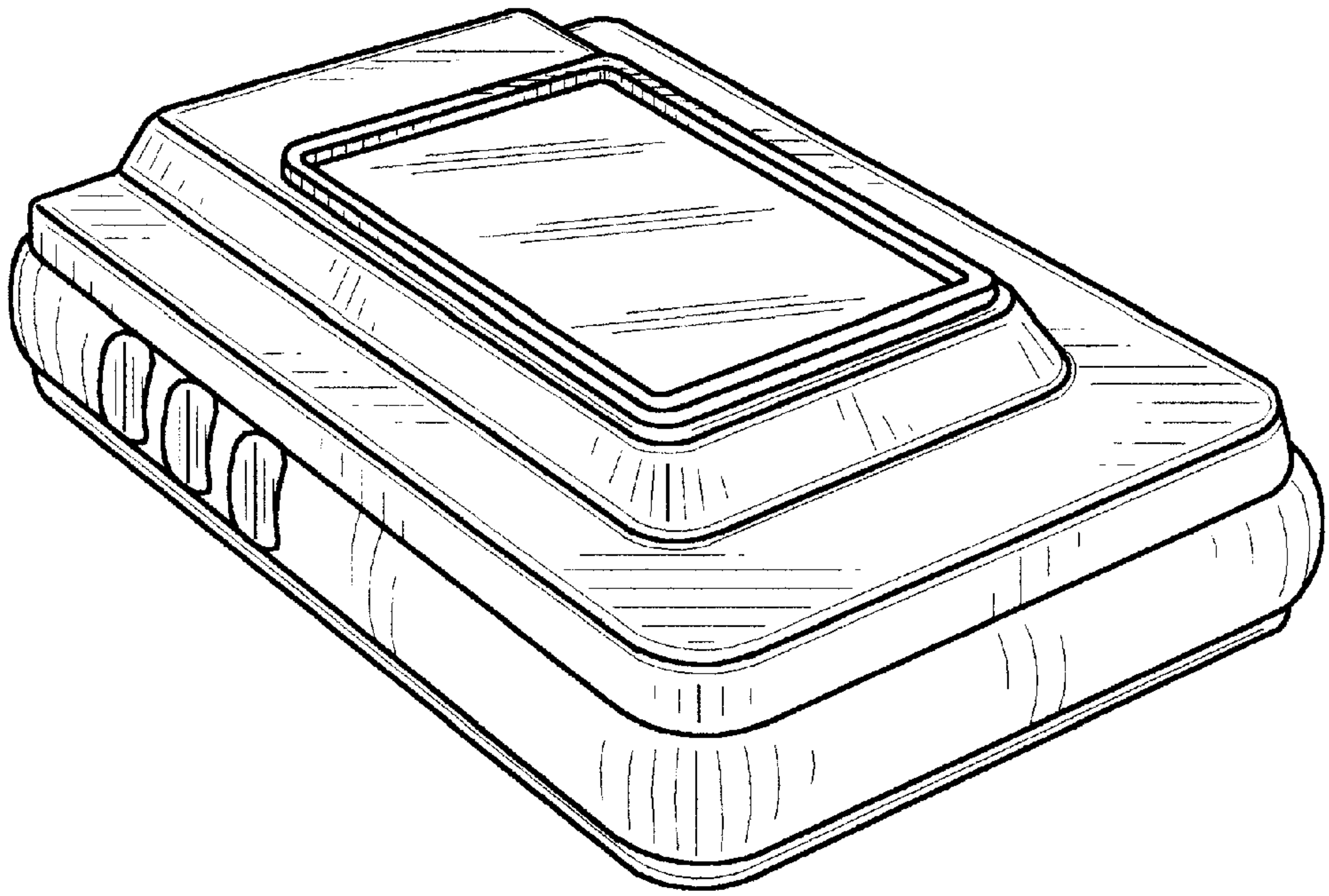


Fig. 1

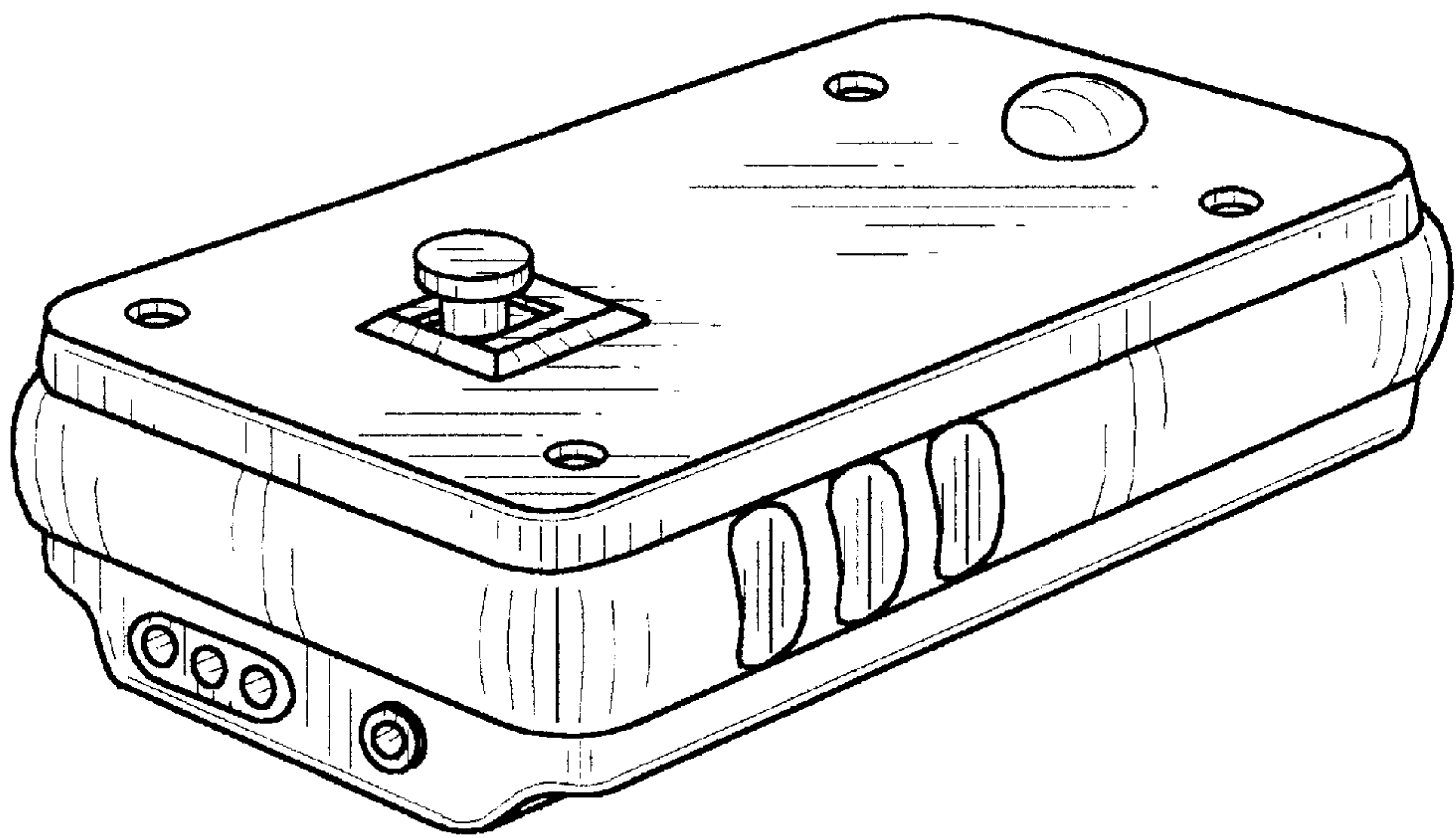


Fig. 2

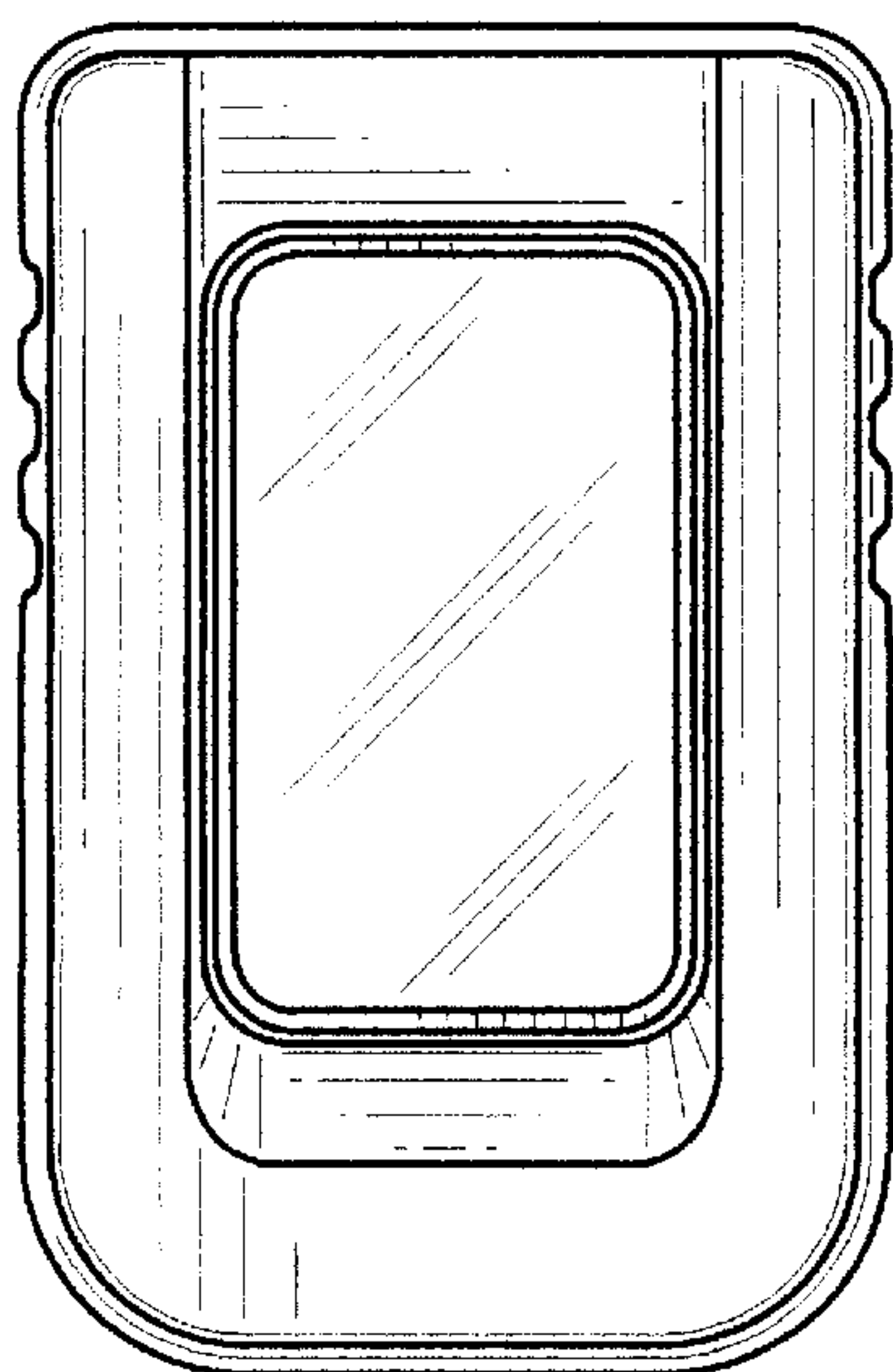


Fig. 3

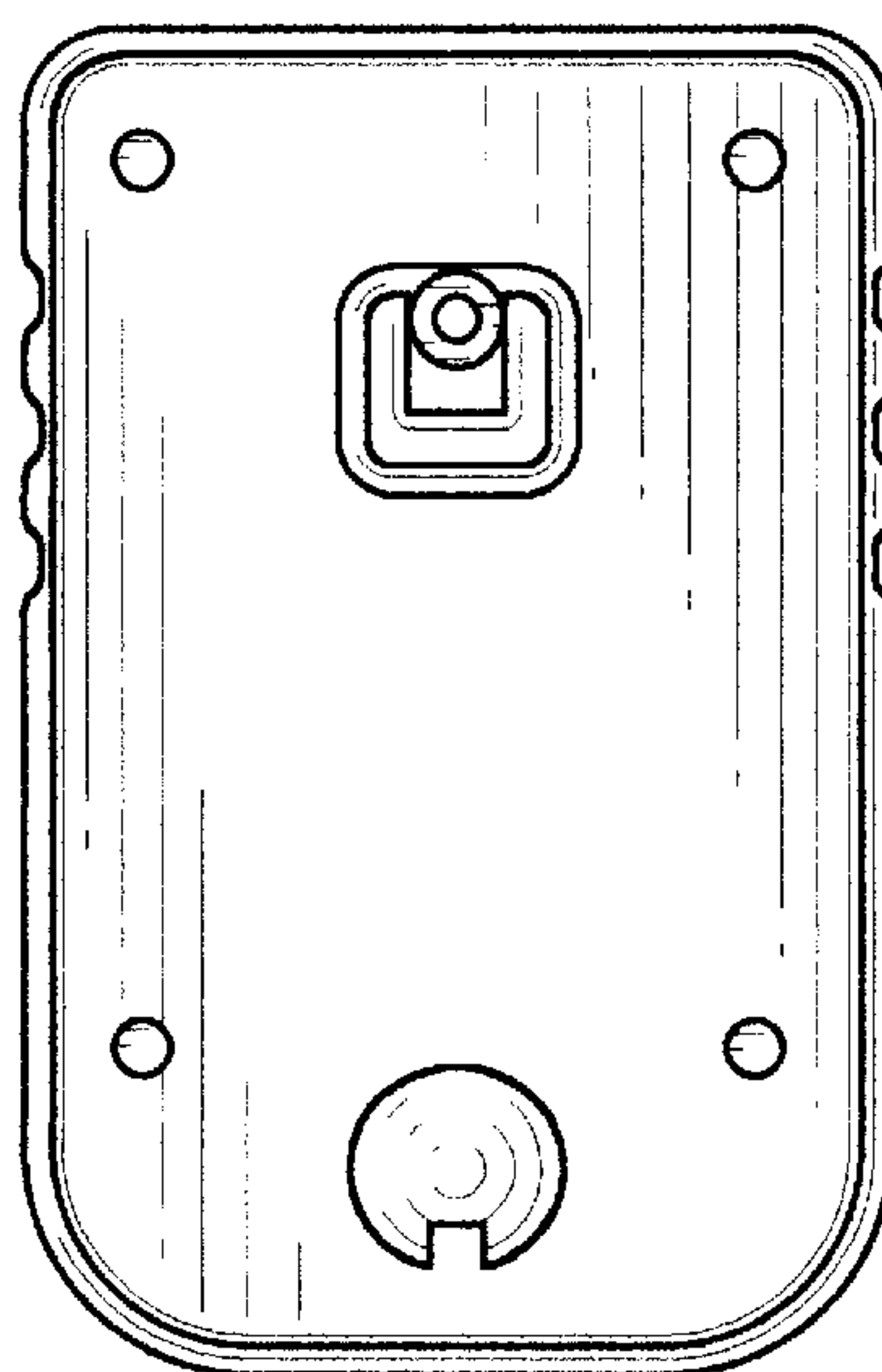


Fig. 4

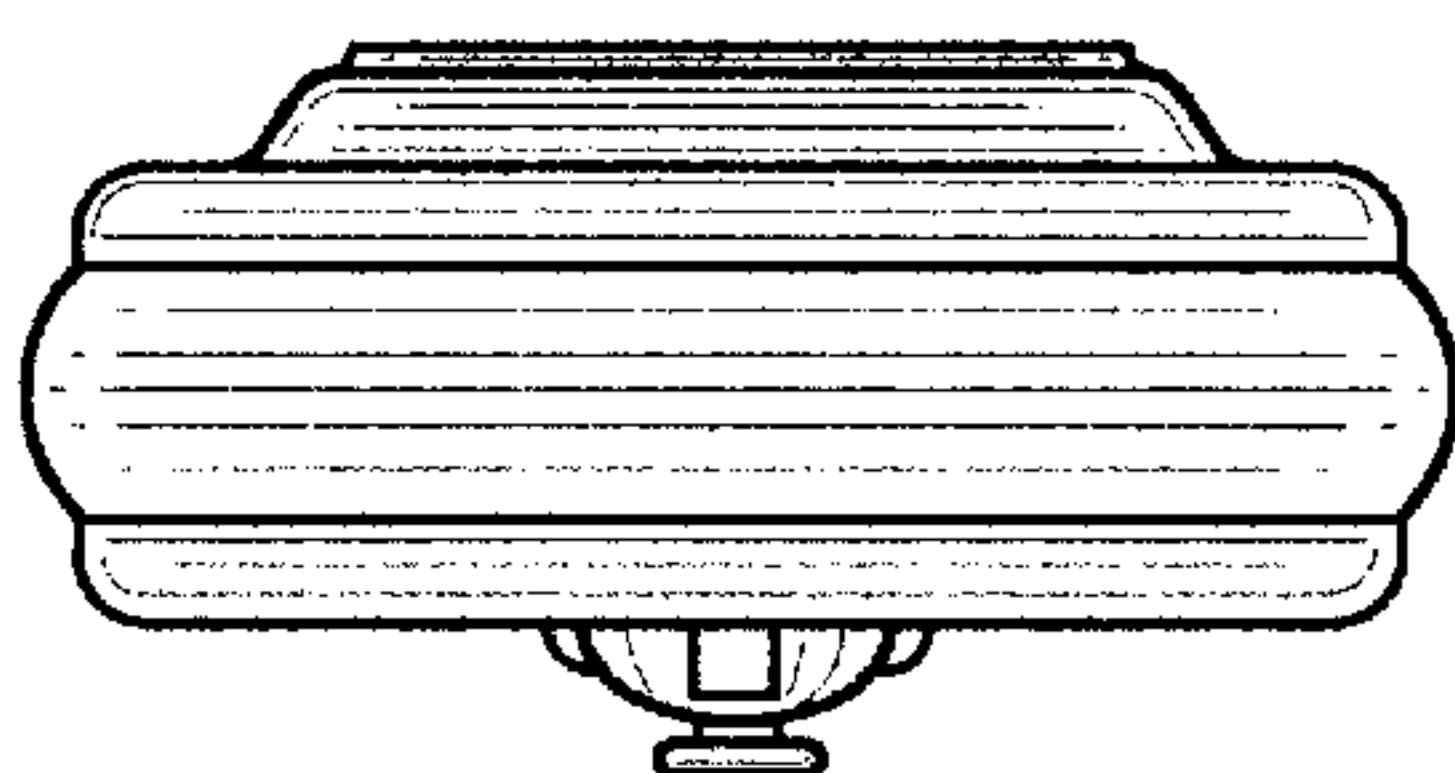


Fig. 5

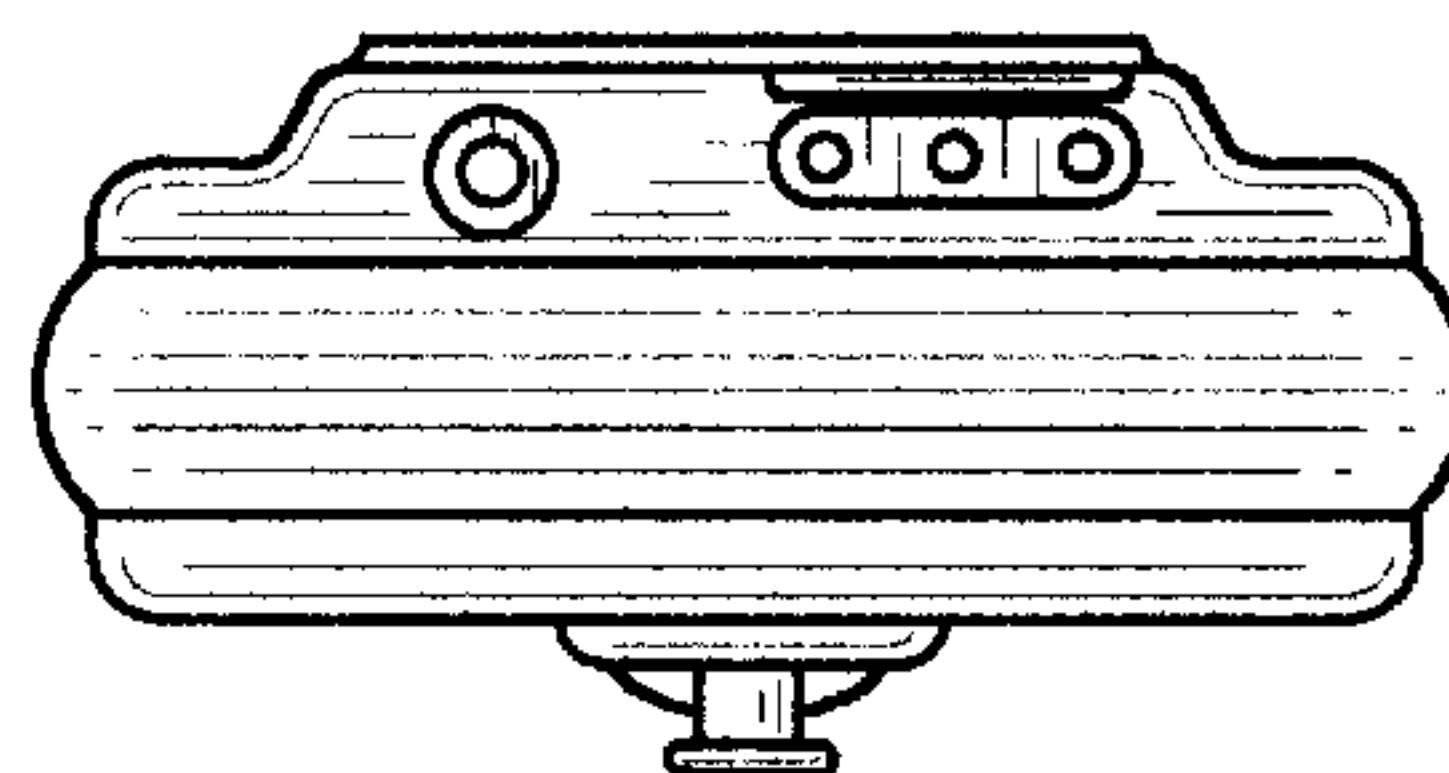


Fig. 6

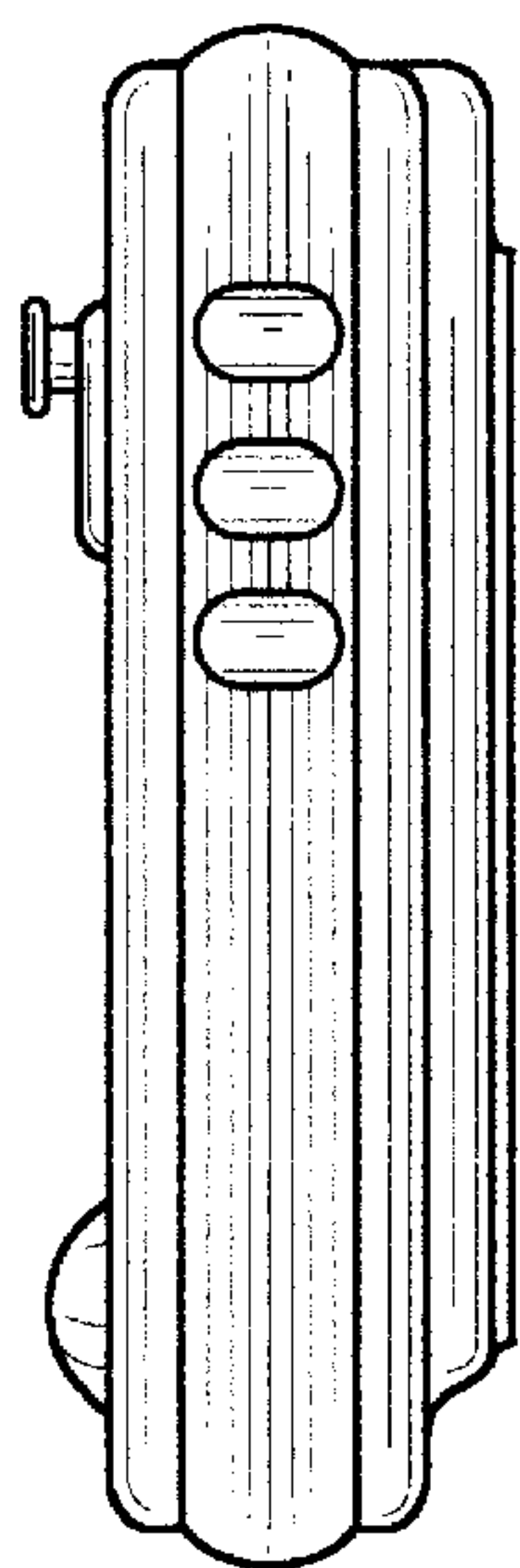


Fig. 7

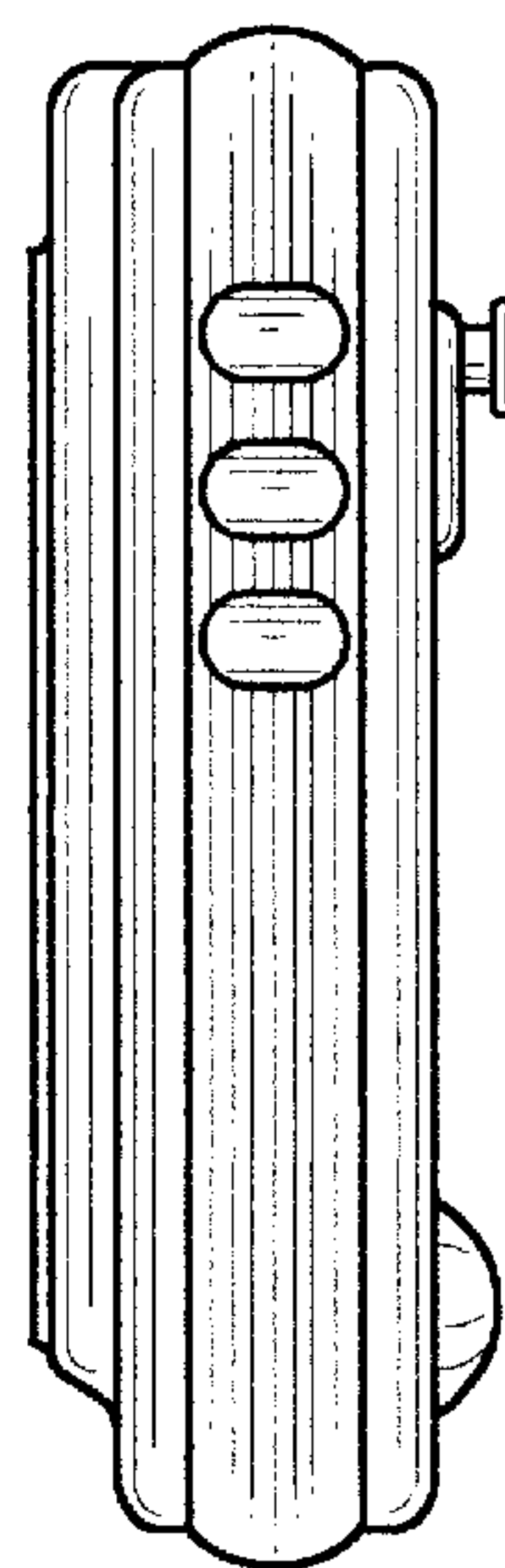


Fig. 8