



US00D434148S

United States Patent [19]
Sauer et al.

[11] **Patent Number: Des. 434,148**

[45] **Date of Patent: ** Nov. 21, 2000**

[54] **TROCAR**

[75] Inventors: **Michael Sauer**, Tuttlingen; **Horst Dittrich**, Immendingen, both of Germany

[73] Assignee: **Karl Storz GmbH & Co. KG**, Germany

[**] Term: **14 Years**

[21] Appl. No.: **29/099,746**

[22] Filed: **Jan. 28, 1999**

[30] **Foreign Application Priority Data**

Jul. 31, 1998 [DE] Germany 498 08 077

[51] **LOC (7) Cl.** **24-02**

[52] **U.S. Cl.** **D24/146; D24/140**

[58] **Field of Search** D24/146, 147; 604/164, 184, 167, 170, 256, 265, 172

[56] **References Cited**

U.S. PATENT DOCUMENTS

5,383,860 1/1995 Lau 604/164

5,545,150 8/1996 Danks et al. 604/256
5,779,697 7/1998 Glowa et al. 606/185
5,843,031 12/1998 Hermann et al. 604/164

Primary Examiner—Ian Simmons
Attorney, Agent, or Firm—St. Onge Steward Johnston & Reens LLC

[57] **CLAIM**

The ornamental design for a trocar, as shown and described.

DESCRIPTION

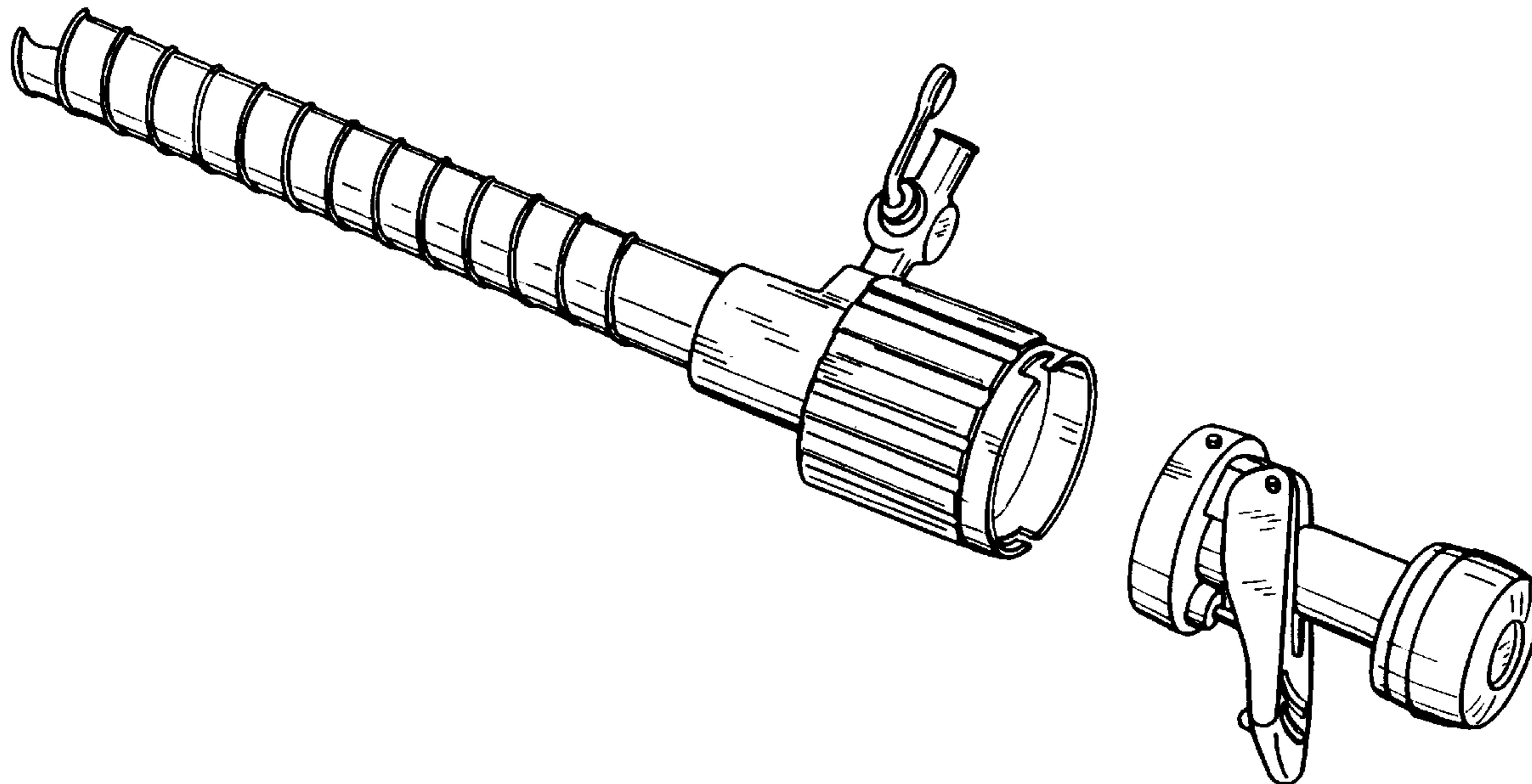
FIG. 1 is a left side perspective view of a trocar, having a shaft, and a valve housing closed via a detachable cap member;

FIG. 2 is a perspective left side exploded view of said trocar with the cap member detached from the trocar valve housing;

FIG. 3 is a side view of the trocar without the cap member and turned 90° clockwise in view of the left side view shown in FIG. 2;

FIG. 4 is a rear view with cap member detached; and, FIG. 5 is a rear view with cap member mounted.

1 Claim, 4 Drawing Sheets



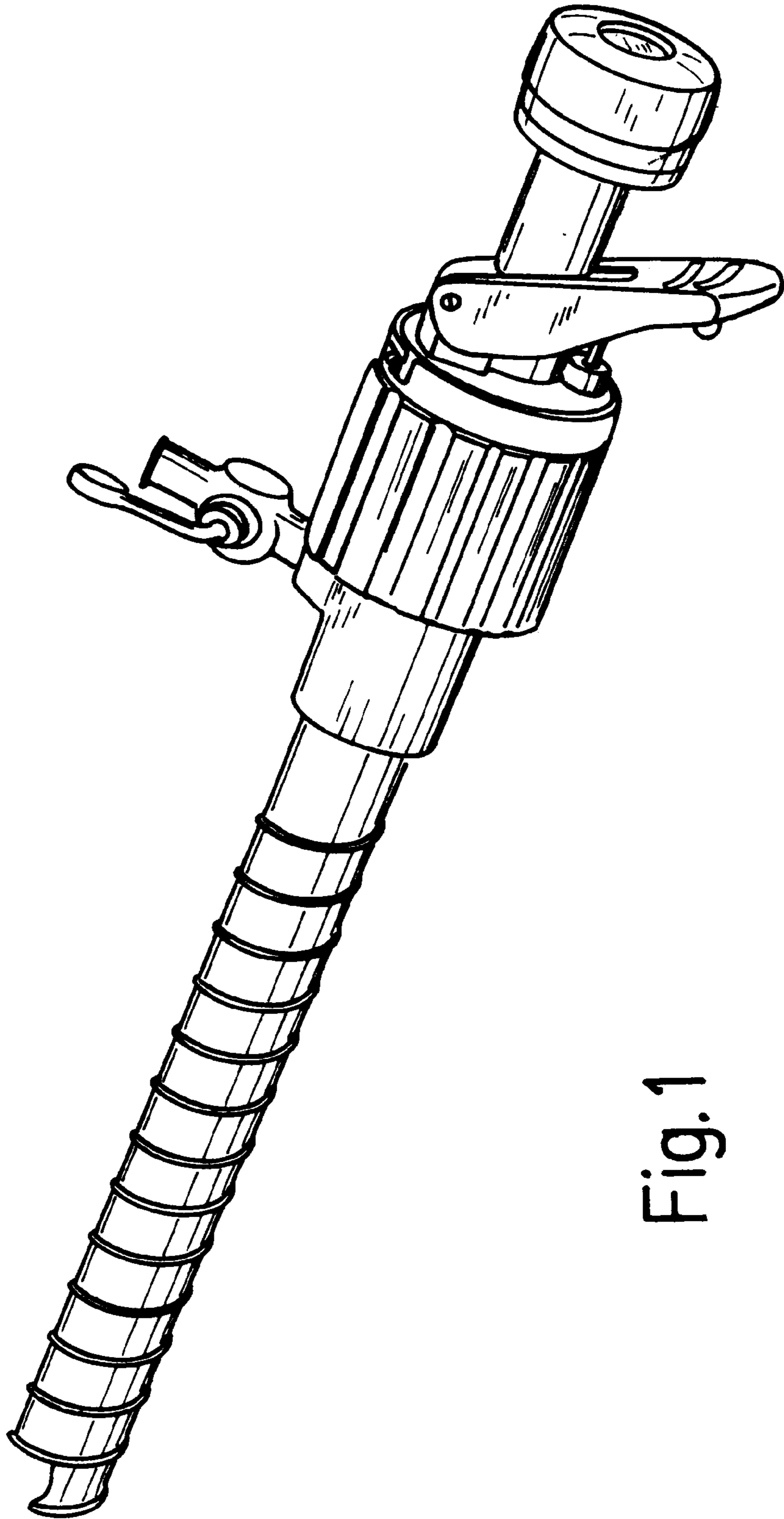


Fig. 1

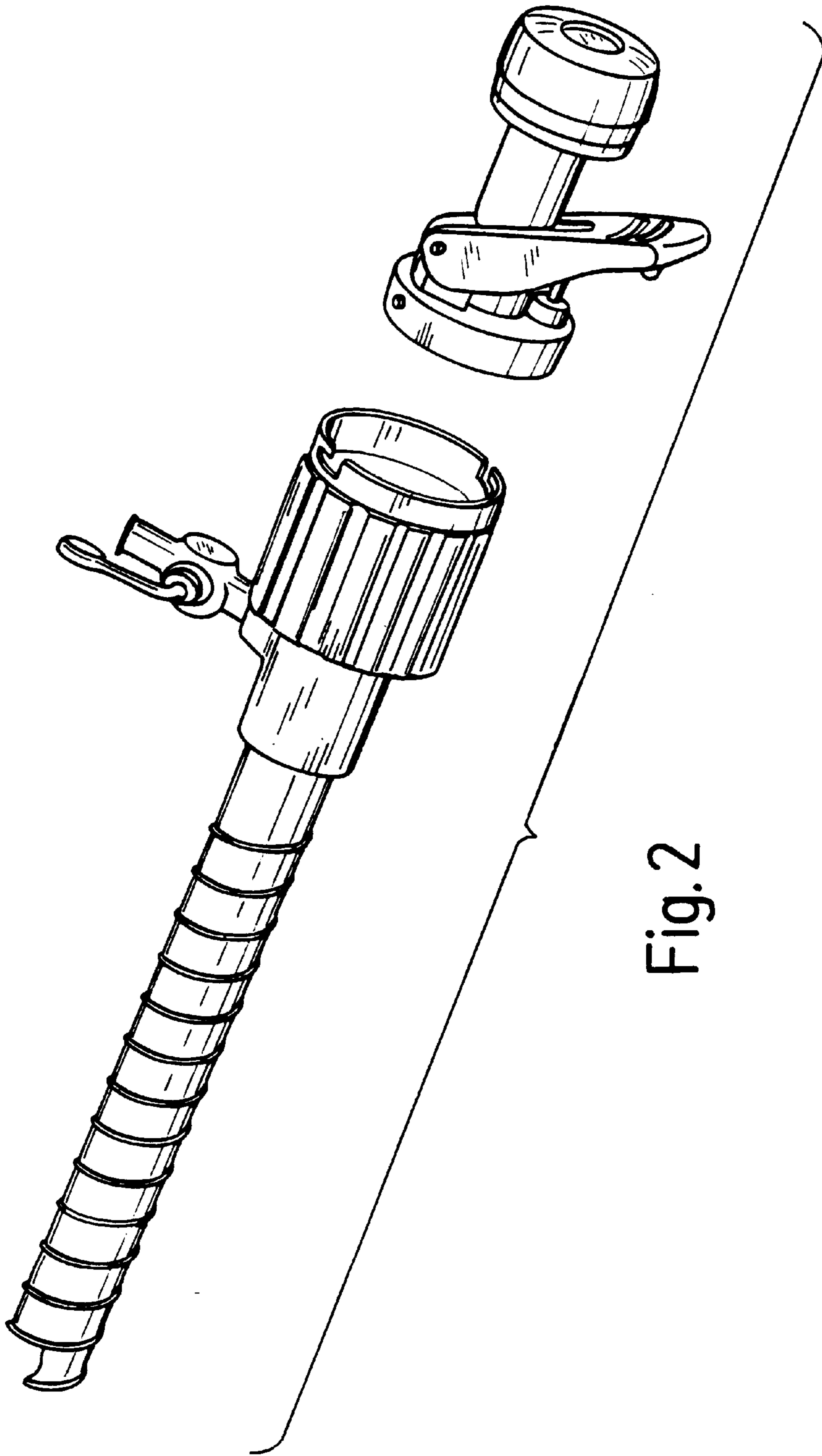


Fig. 2

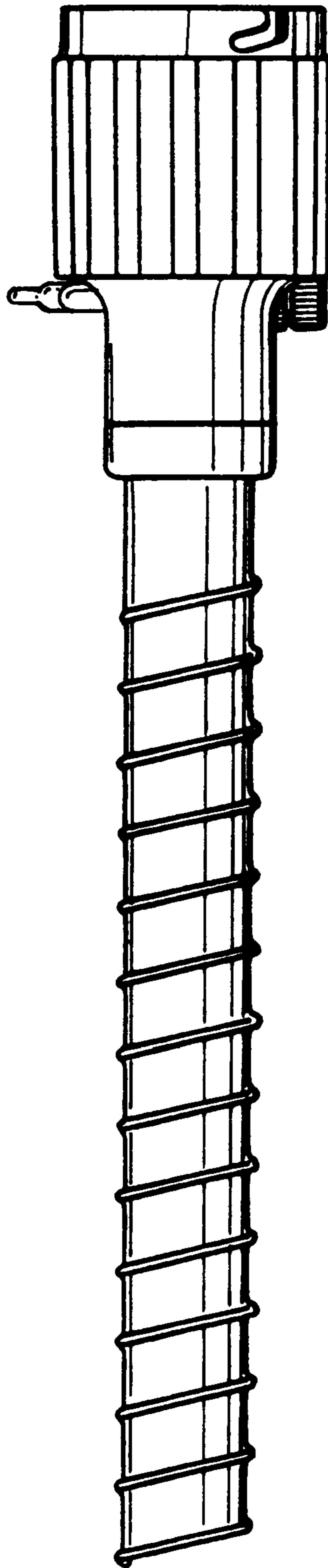


Fig. 3

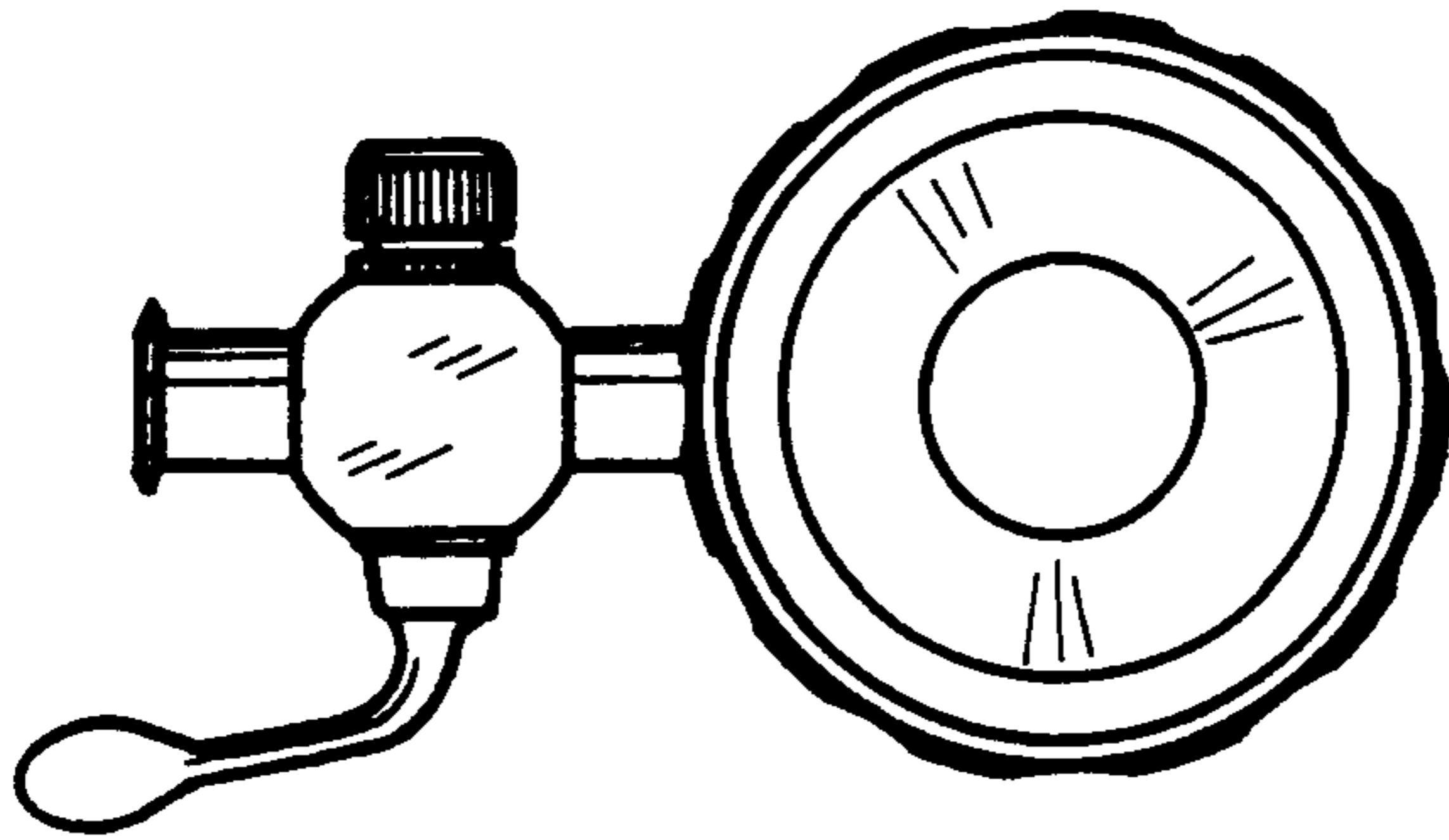


Fig. 4

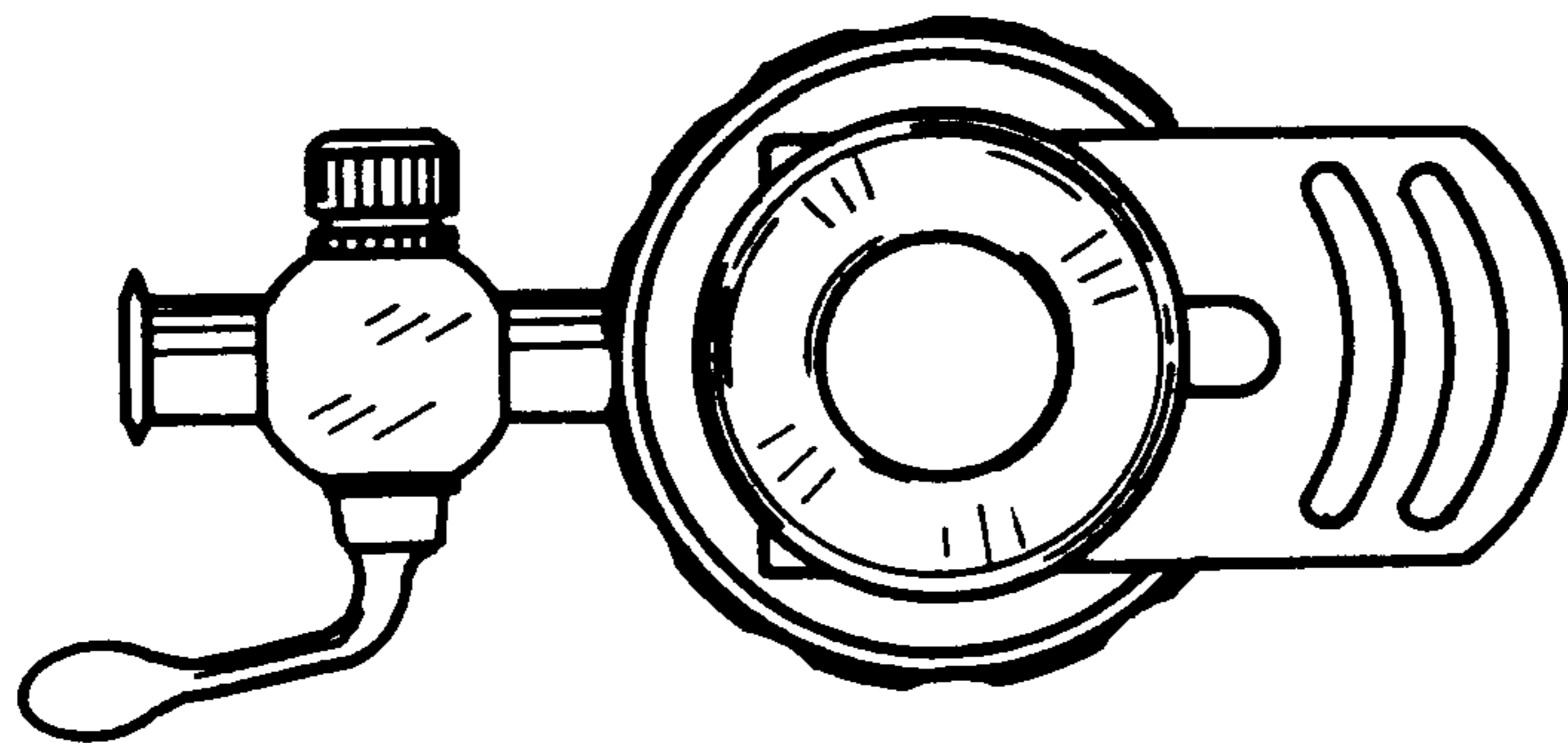


Fig. 5